

[54] SNARE DRUM LUG

[75] Inventors: John A. Craviotto, Santa Cruz County; William S. Gibson, Marin County; Paul Gabriel; Ken Matthew, both of Santa Cruz County, all of Calif.

[73] Assignee: Solid Percussion, Inc., Watsonville, Calif.

[**] Term: 14 Years

[21] Appl. No.: 246,533

[22] Filed: Sep. 19, 1988

[52] U.S. Cl. D17/22

[58] Field of Search D17/22, 99; D21/64; 84/411 R, 413

[56] References Cited

U.S. PATENT DOCUMENTS

D. 160,696	10/1950	Della-Porta	D17/22
D. 203,702	2/1966	Thompson	D17/22
D. 267,098	11/1982	Packer	D17/22
D. 270,167	8/1983	Hoey	D17/22
D. 279,906	7/1985	Ireland	D17/22
D. 289,901	5/1987	Star	D17/22
D. 296,905	7/1988	Donnelli	D17/22
D. 310,537	9/1990	Yanagisawa	D17/22
D. 310,538	9/1990	Yanagisawa	D17/22

D. 311,203 10/1990 Yanagisawa D17/22

OTHER PUBLICATIONS

Grossmans Music Cat., 1968, pp. 31 and 34, Snare Drums.

Primary Examiner—Bernard Ansher
Assistant Examiner—Philip Hyder
Attorney, Agent, or Firm—Flehr, Hohbach, Test, Albritton & Herbert

[57] CLAIM

The ornamental design for a snare drum lug, as shown and described.

DESCRIPTION

FIG. 1 is a perspective view of a snare drum lug showing our new design;

FIG. 2 is a front elevational view thereof;

FIG. 3 is a side elevational view thereof;

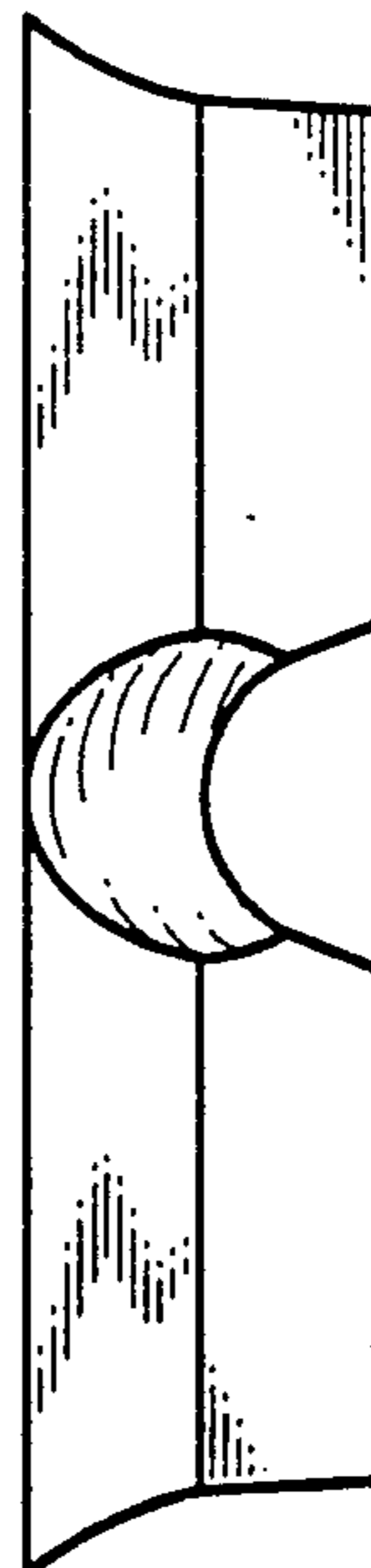
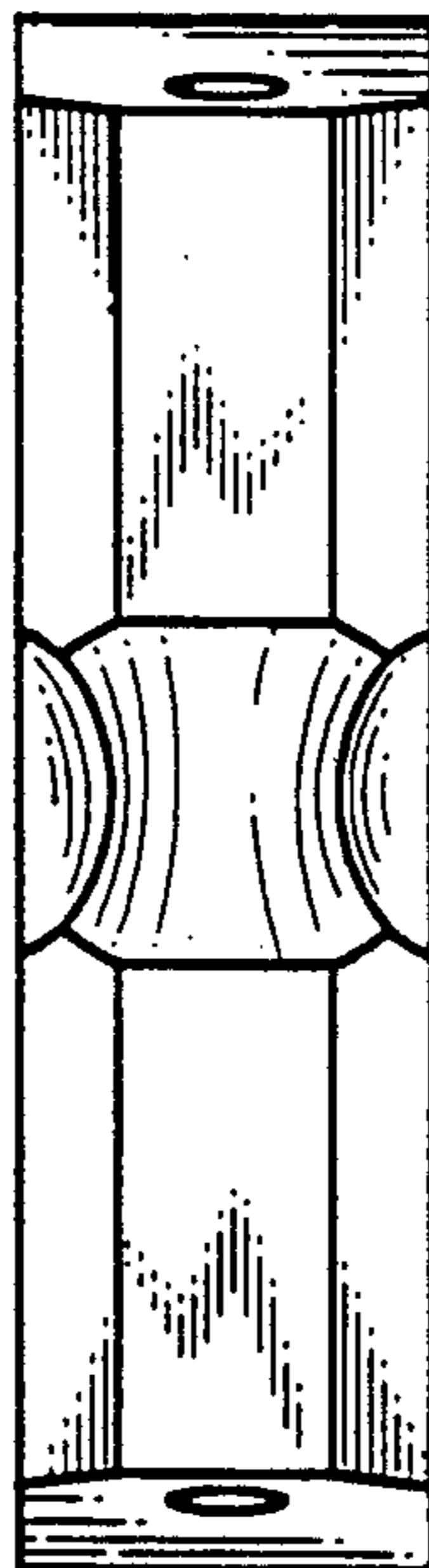
FIG. 4 is a perspective view of a second modified embodiment;

FIG. 5 is a front elevational view of FIG. 4;

FIG. 6 is a side elevational view of FIG. 4.

The broken line showing of the snare drum is for illustrative purposes only and forms no part of the claimed design.

The rear of the lug is a concave cylindrical surface without ornamentation.



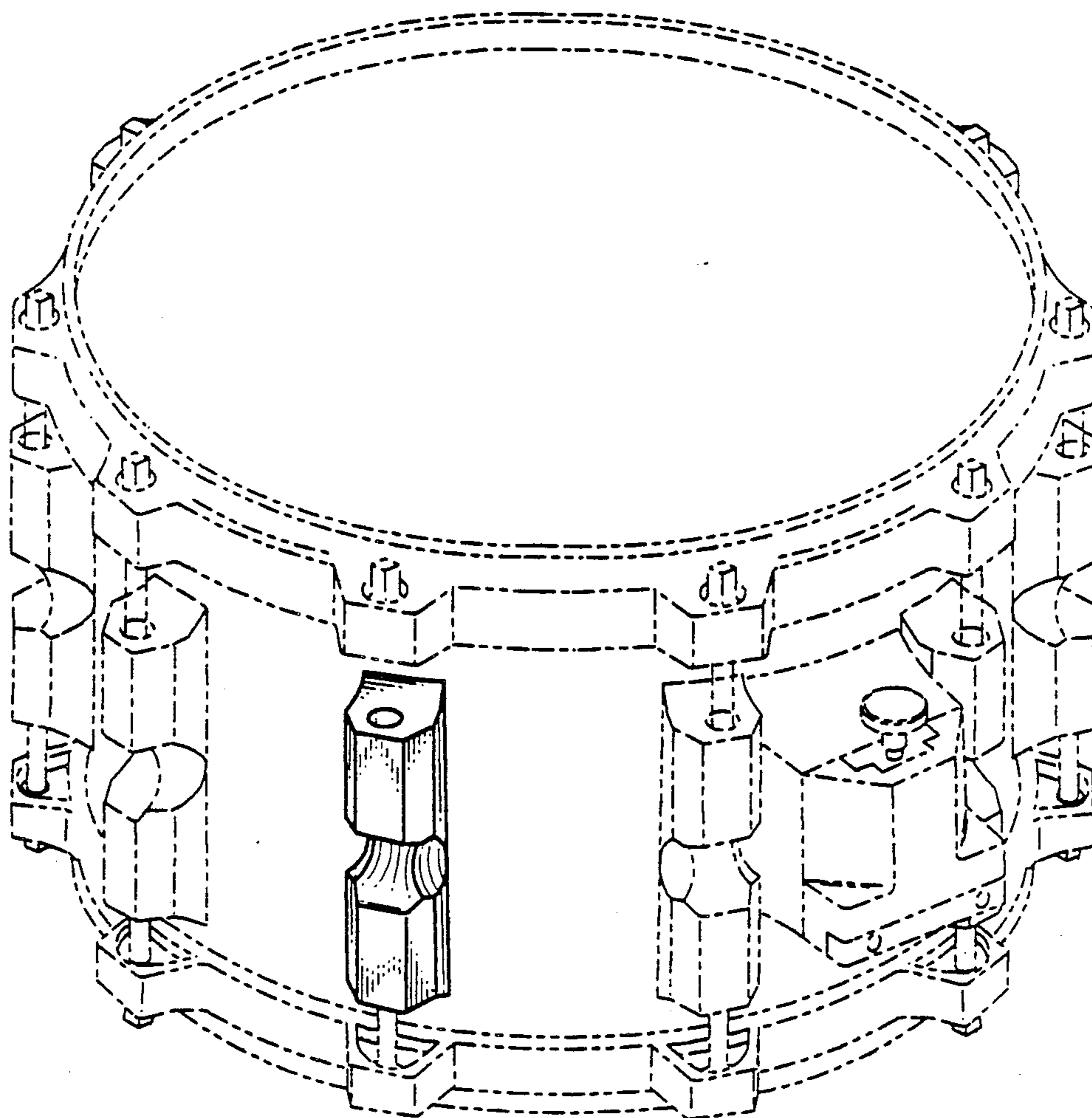


FIG. 1

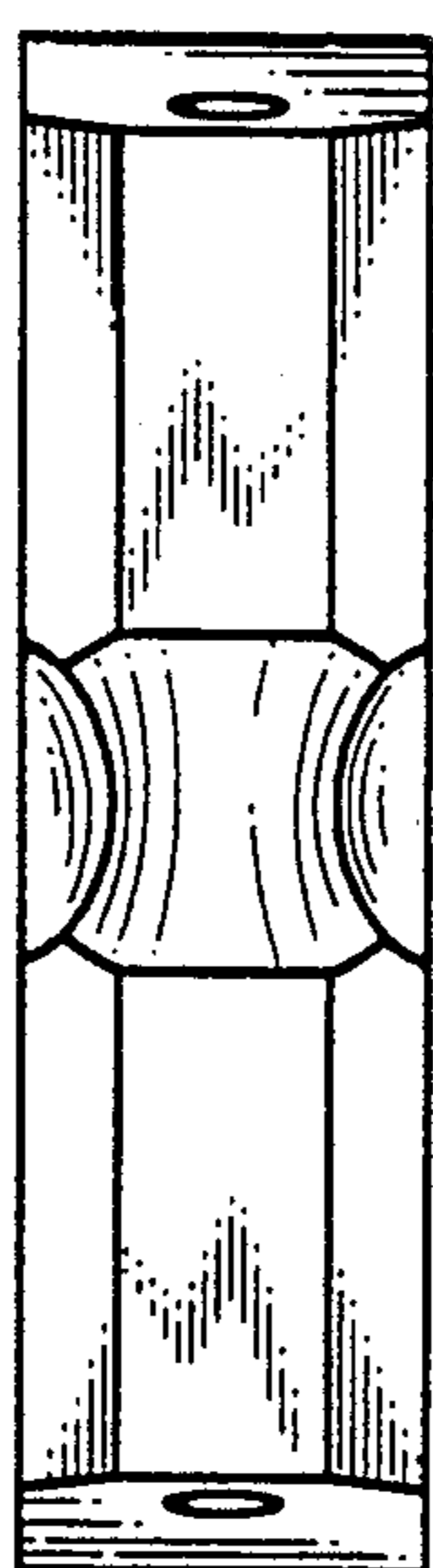


FIG. 2

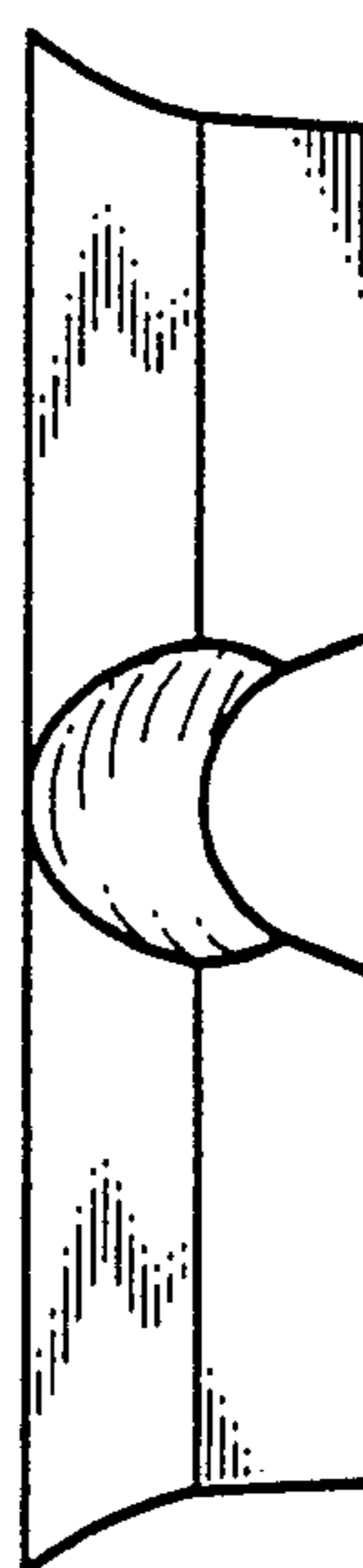


FIG. 3

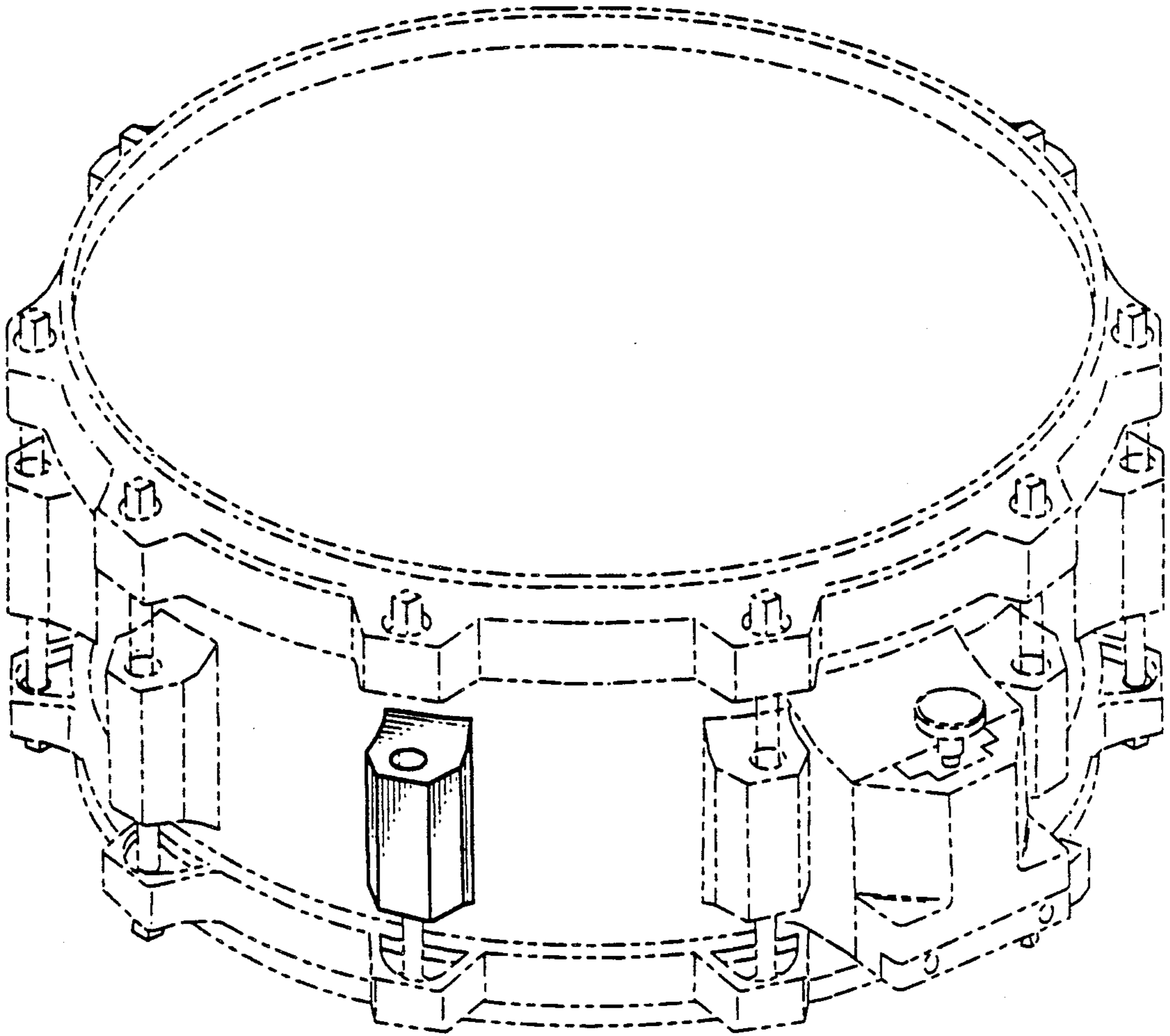


FIG. 4

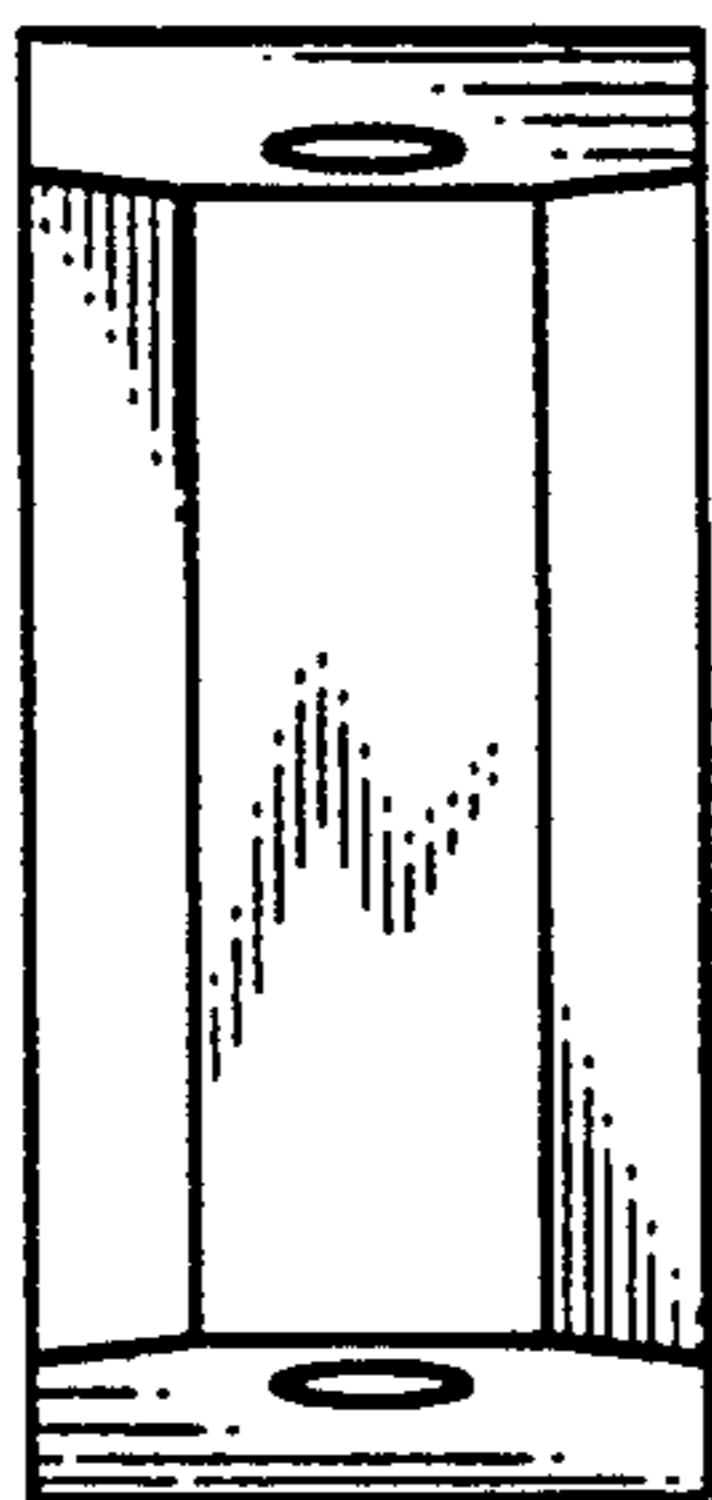


FIG. 5



FIG. 6