

[54] SNARE DRUM

4,693,163 9/1987 Hsieh 84/413
4,850,258 7/1989 Hoshino et al. 84/413

[75] Inventors: Paul Gabriel; John A. Craviotto, both of Santa Cruz County; William S. Gibson, Marin County, all of Calif.

OTHER PUBLICATIONS

Grossmans Music Cat., pp. 17, 31 & 34, 1968, Snare Drums.

[73] Assignee: Solid Percussion, Inc., Watsonville, Calif.

Primary Examiner—Bernard Ansher
Assistant Examiner—Philip S. Hyder
Attorney, Agent, or Firm—Flehr, Hohbach, Test, Albritton & Herbert

[**] Term: 14 Years

[21] Appl. No.: 246,531

[57] CLAIM

The ornamental design for a snare drum, as shown.

[22] Filed: Sep. 19, 1988

[52] U.S. Cl. D17/22

[58] Field of Search D17/22, 99; D21/64; 84/411 R, 413, 422.1, 411 A, DIG. 12

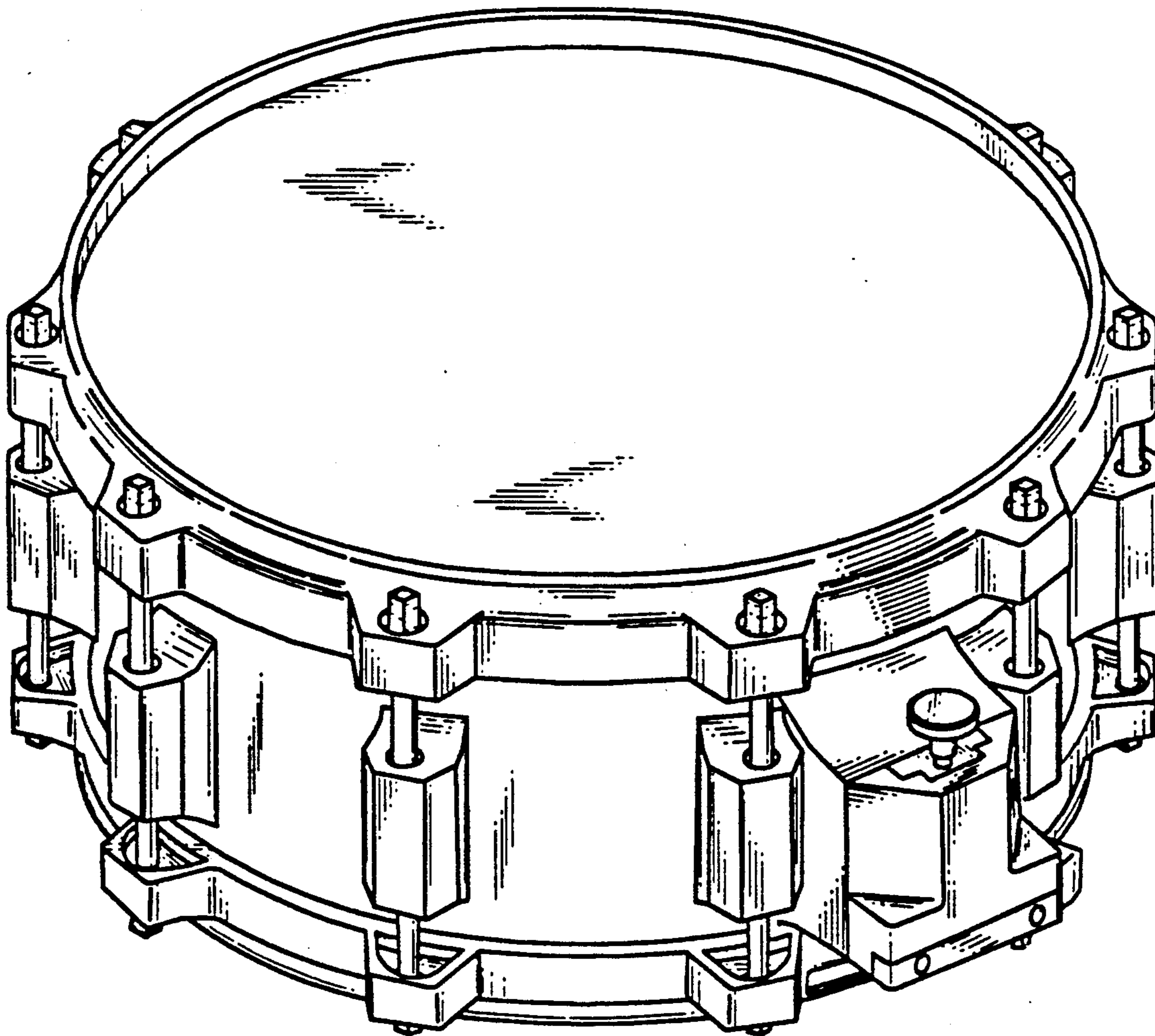
DESCRIPTION

FIG. 1 is a side elevational view of a snare drum showing our new design;
FIG. 2 is a top plan view thereof;
FIG. 3 is a bottom plan view thereof;
FIG. 4 is a perspective view thereof;
FIG. 5 is a perspective view of a second modified embodiment; and
FIG. 6 is a side elevational view of FIG. 5.

[56] References Cited

U.S. PATENT DOCUMENTS

D. 257,989	1/1981	Ludwig	D17/22
D. 311,018	10/1990	Corder	D17/22
4,060,019	11/1977	Cordes	84/411 R
4,334,458	6/1982	Grauso	84/411 R



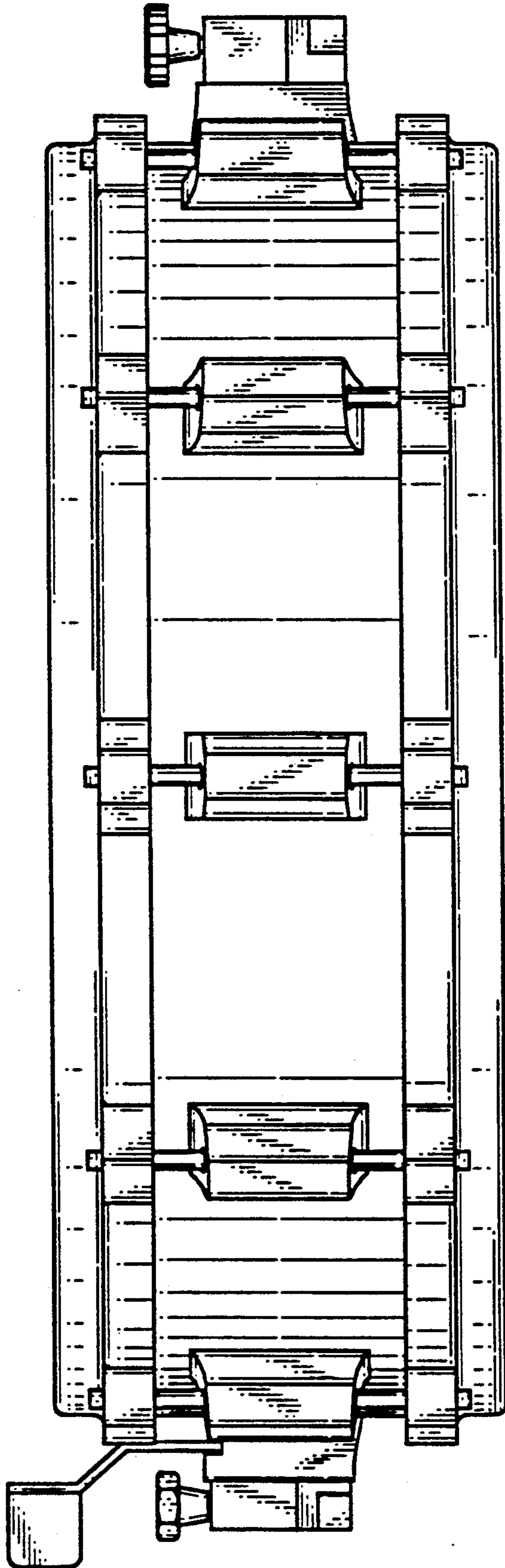


FIG. 1

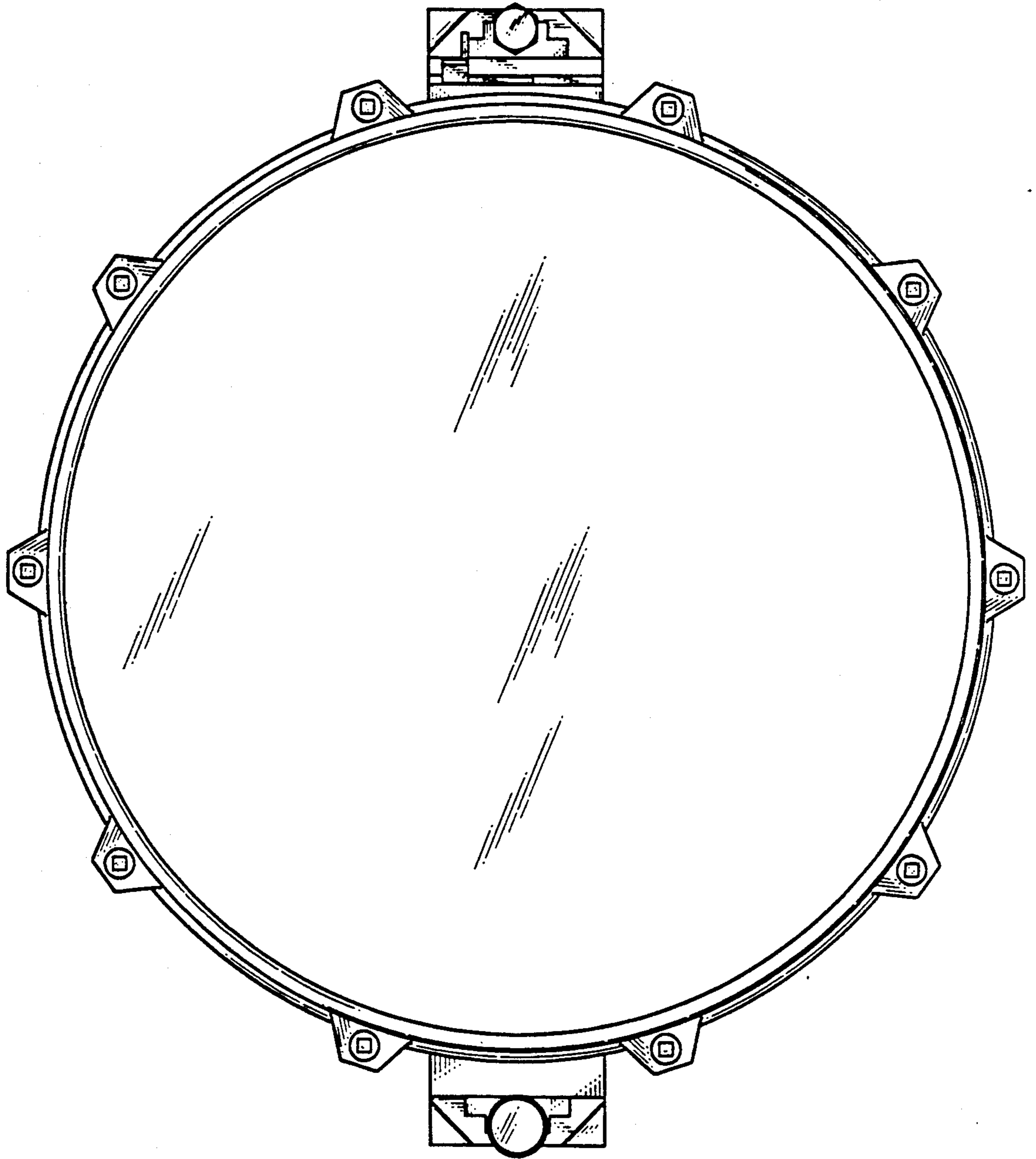


FIG. 2

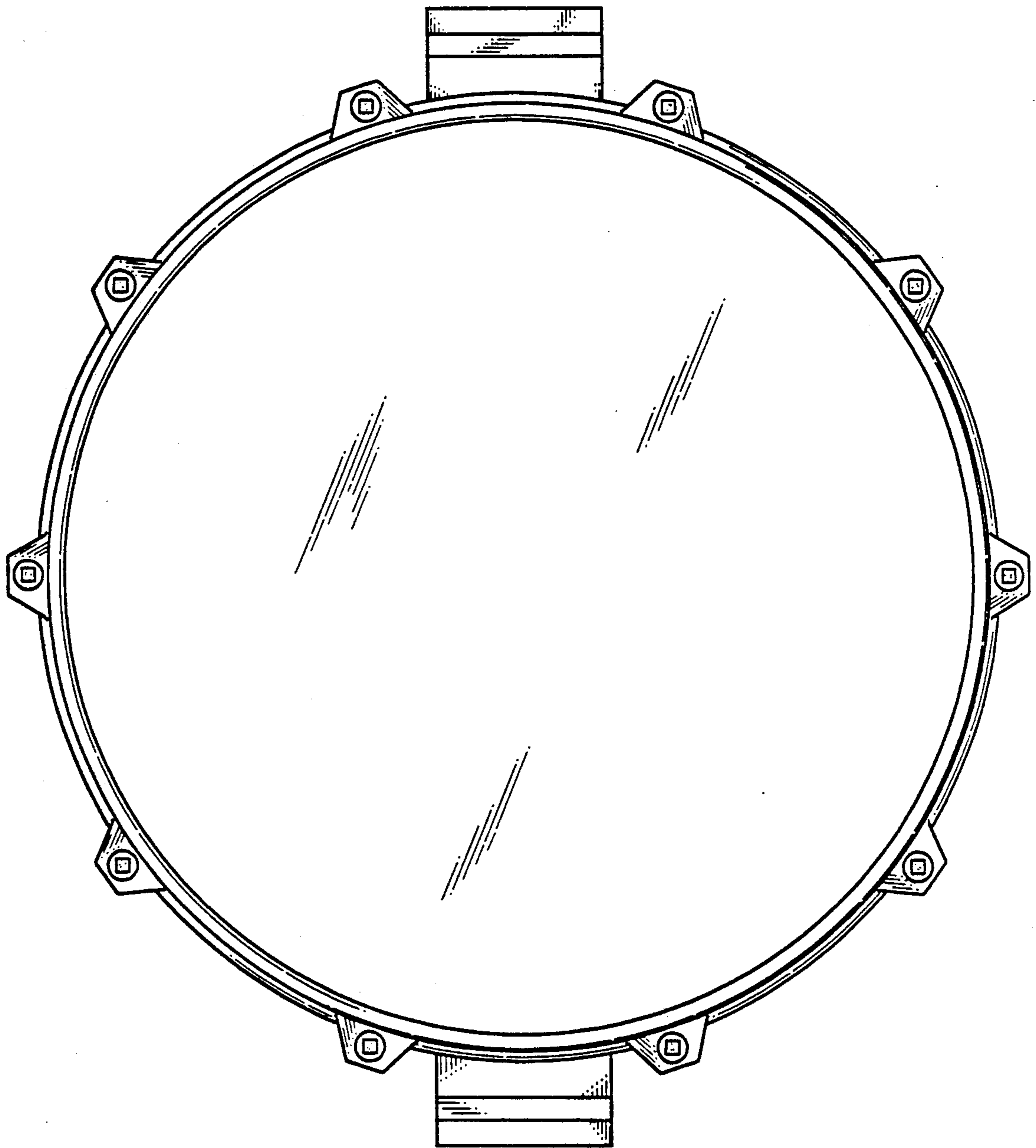


FIG. 3

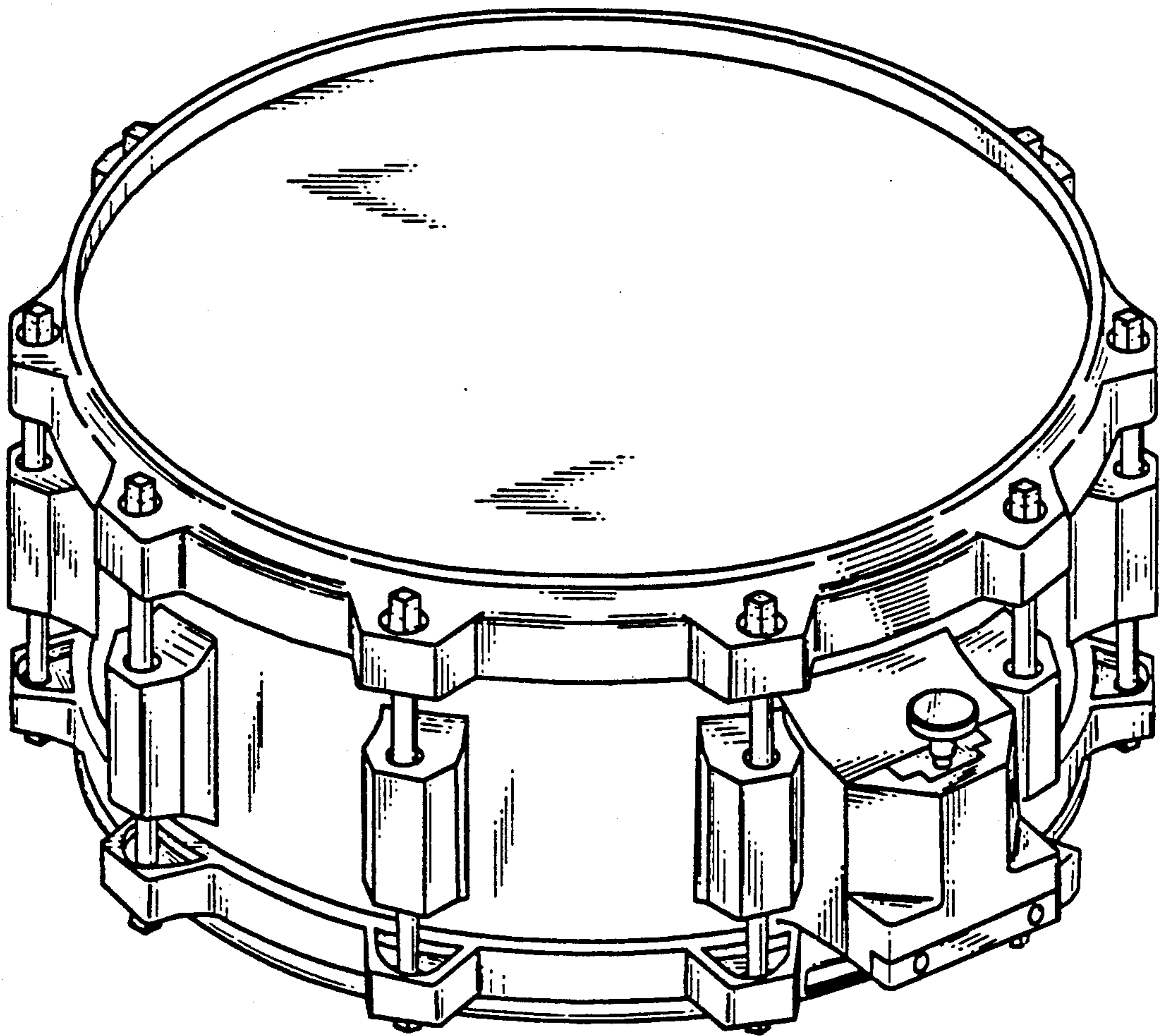


FIG. 4

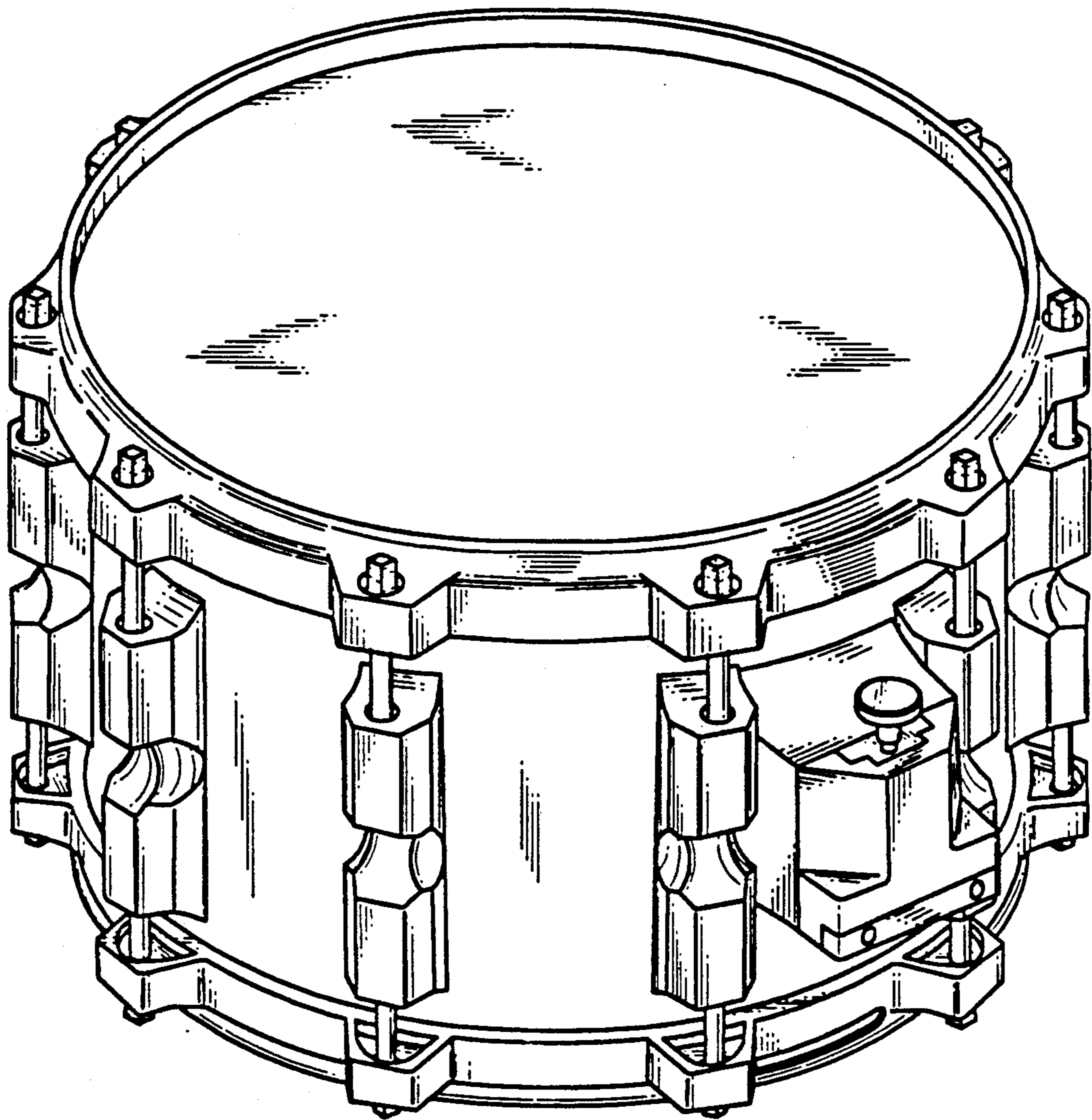


FIG. 5

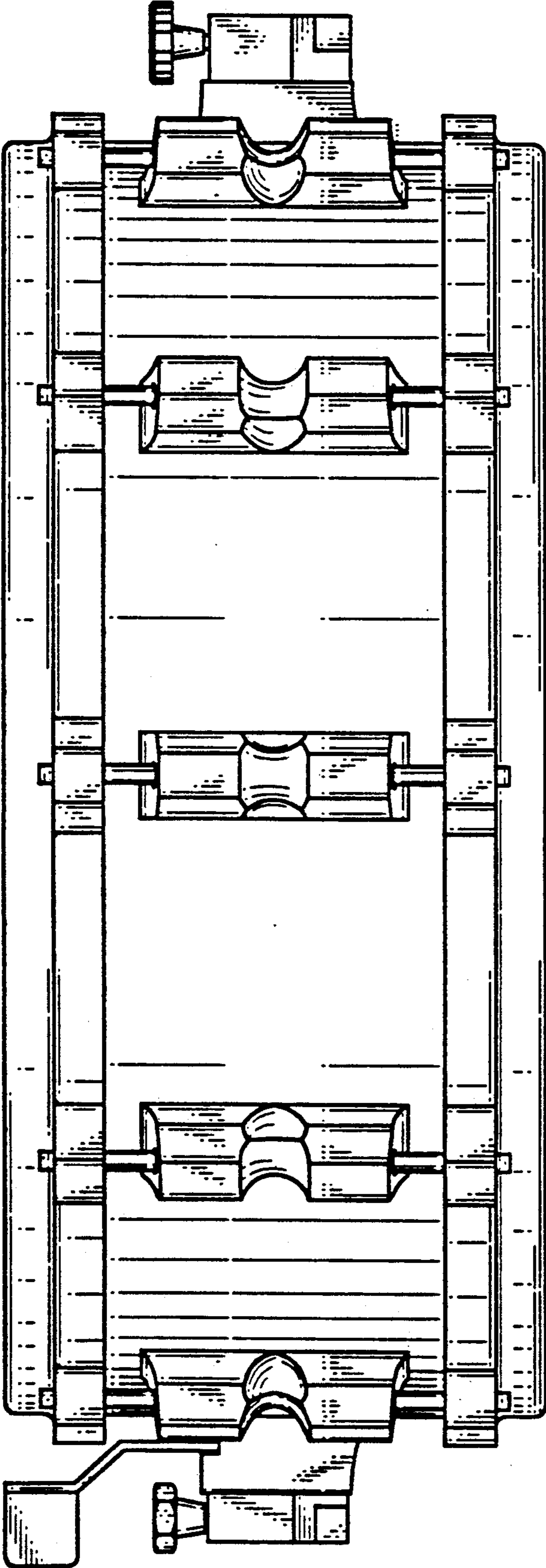


FIG. 6