

[54] SLIDE PROJECTOR ACCESSORY FOR AN ELECTROPHOTOGRAPHIC REPRODUCTION UNIT

4,027,962 6/1977 Mailloux 355/240
4,111,540 9/1978 Bollman 355/326
4,120,580 10/1978 Mailloux et al. 355/240

[75] Inventors: David R. Gotham; Richard L. Tinder; Thomas W. Mort, all of Rochester, N.Y.

Primary Examiner—Bernard Ansher
Assistant Examiner—Adir Aronvich
Attorney, Agent, or Firm—Lawrence P. Kessler

[73] Assignee: Eastman Kodak Company, Rochester, N.Y.

[57] CLAIM

The ornamental design for a slide projector accessory for an electrophotographic reproduction unit, as shown.

[**] Term: 14 Years

[21] Appl. No.: 334,951

DESCRIPTION

[22] Filed: Apr. 6, 1989

[52] U.S. Cl. D16/225; D18/40

[58] Field of Search D16/221, 223, 225, 233, D16/235, 236; D18/40; 355/326, 327, 240

FIG. 1 is a side elevational view of a slide projector accessory for an electrophotographic reproduction unit;

FIG. 2 is a top, plan view thereof;

FIG. 3 is a side elevation view opposite of that shown in FIG. 1;

FIG. 4 is a rear elevation view thereof;

FIG. 5 is a front elevational view thereof;

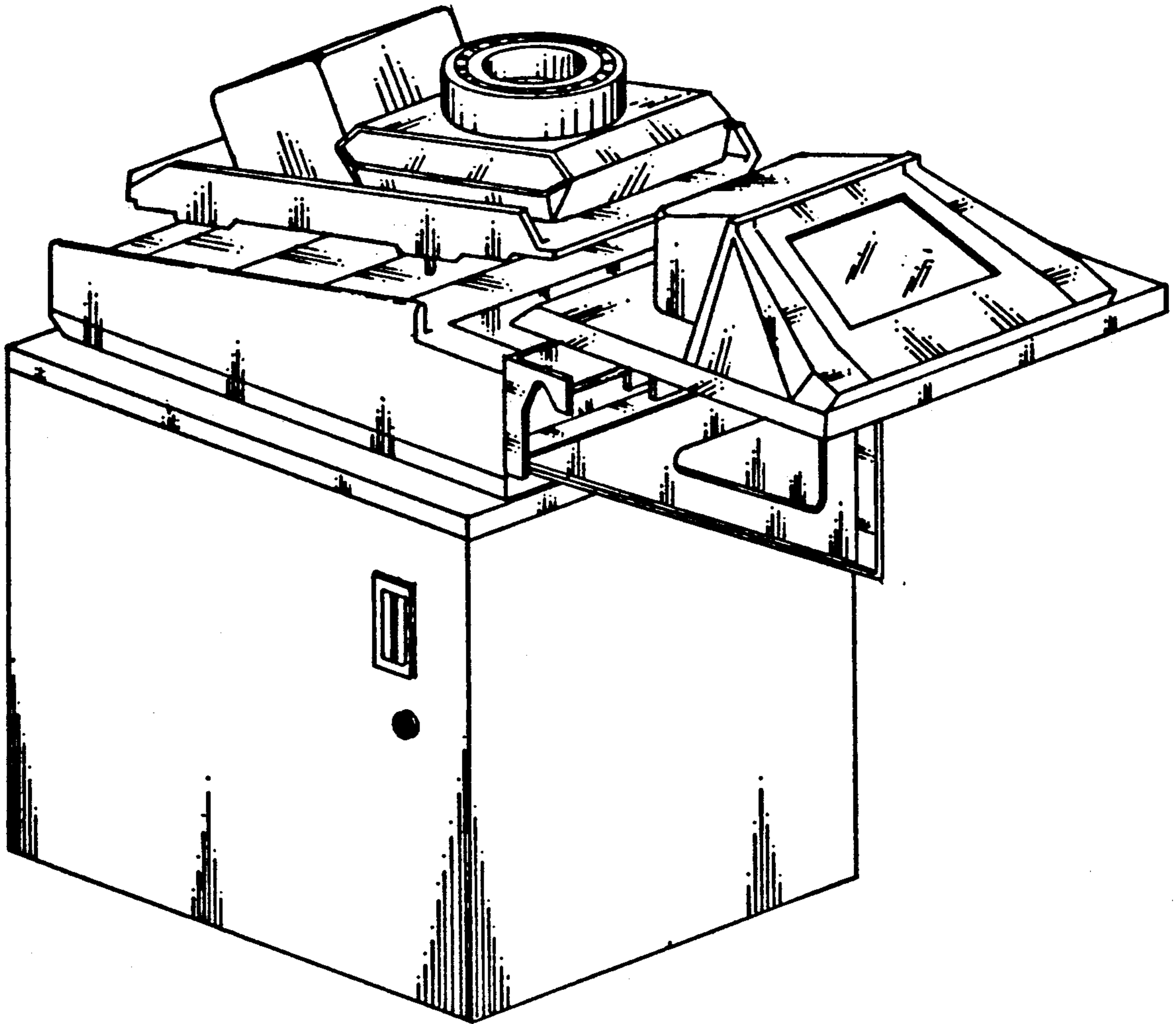
FIG. 6 is a rear perspective view thereof; and

FIG. 7 is a top, front perspective view thereof.

[56] References Cited

U.S. PATENT DOCUMENTS

- D. 195,910 8/1963 Olson D16/233
- D. 238,396 1/1976 Hickey D16/225
- D. 261,395 10/1981 Brooksby et al. D16/233



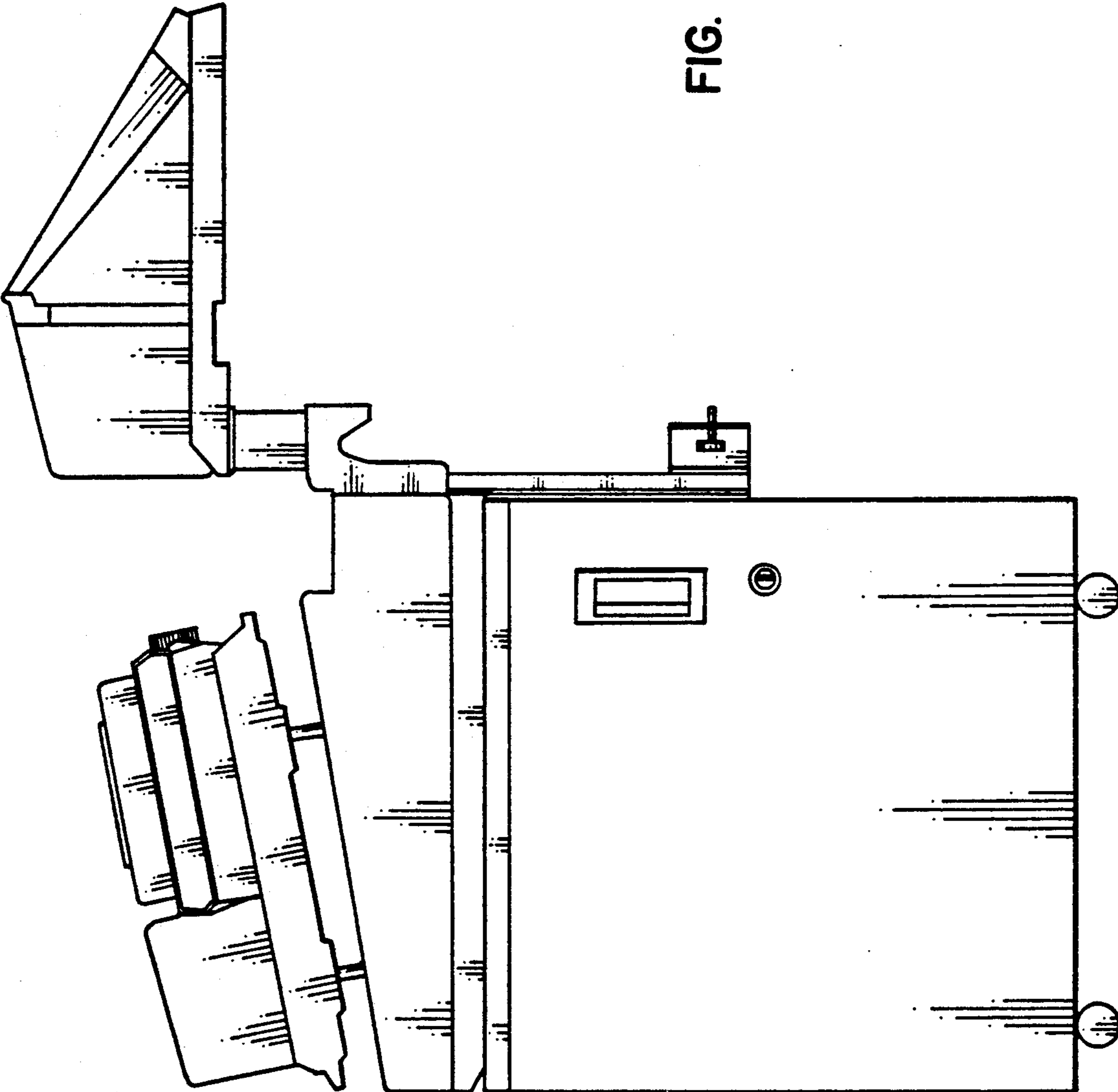


FIG. 1

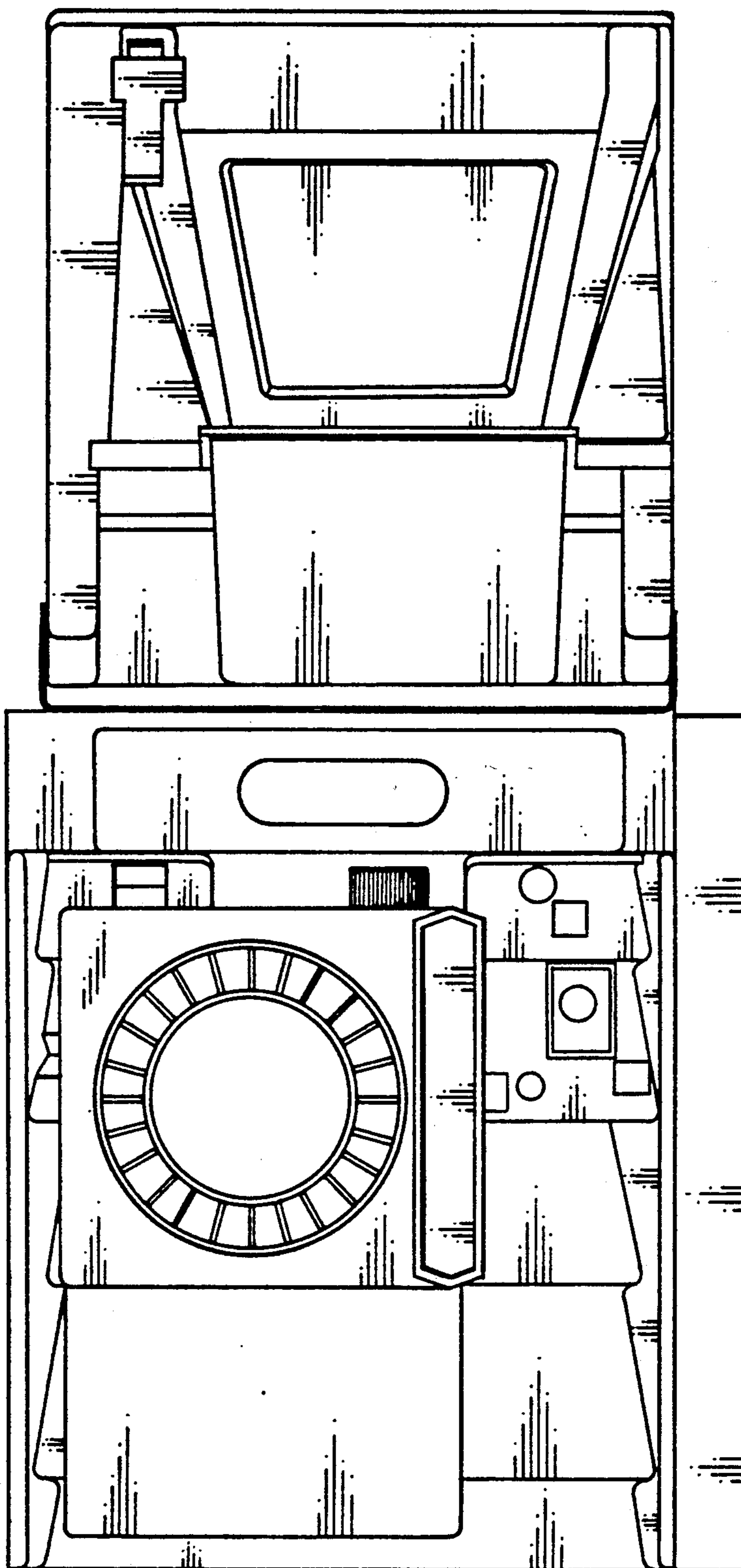


FIG. 2

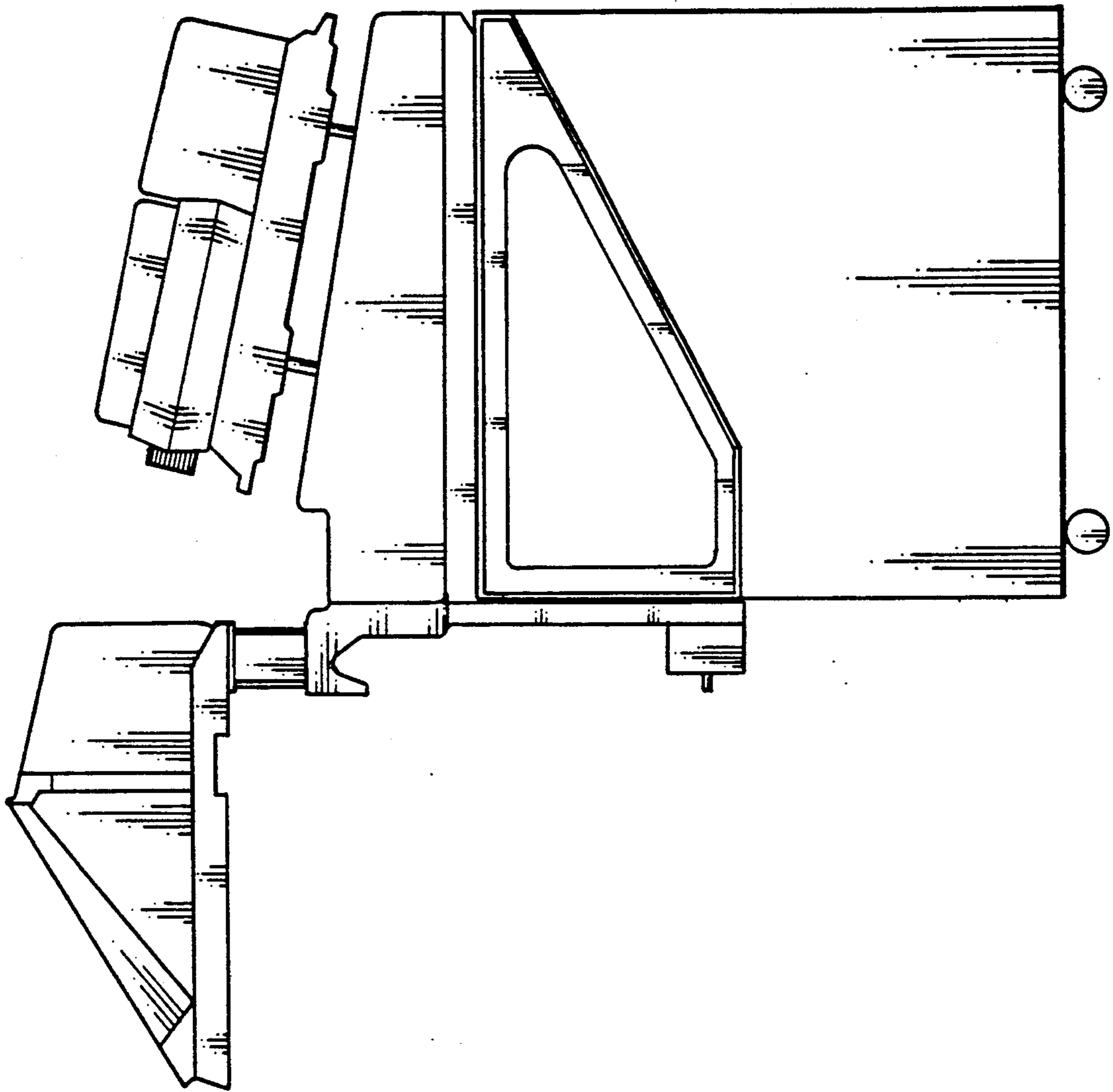


FIG. 3

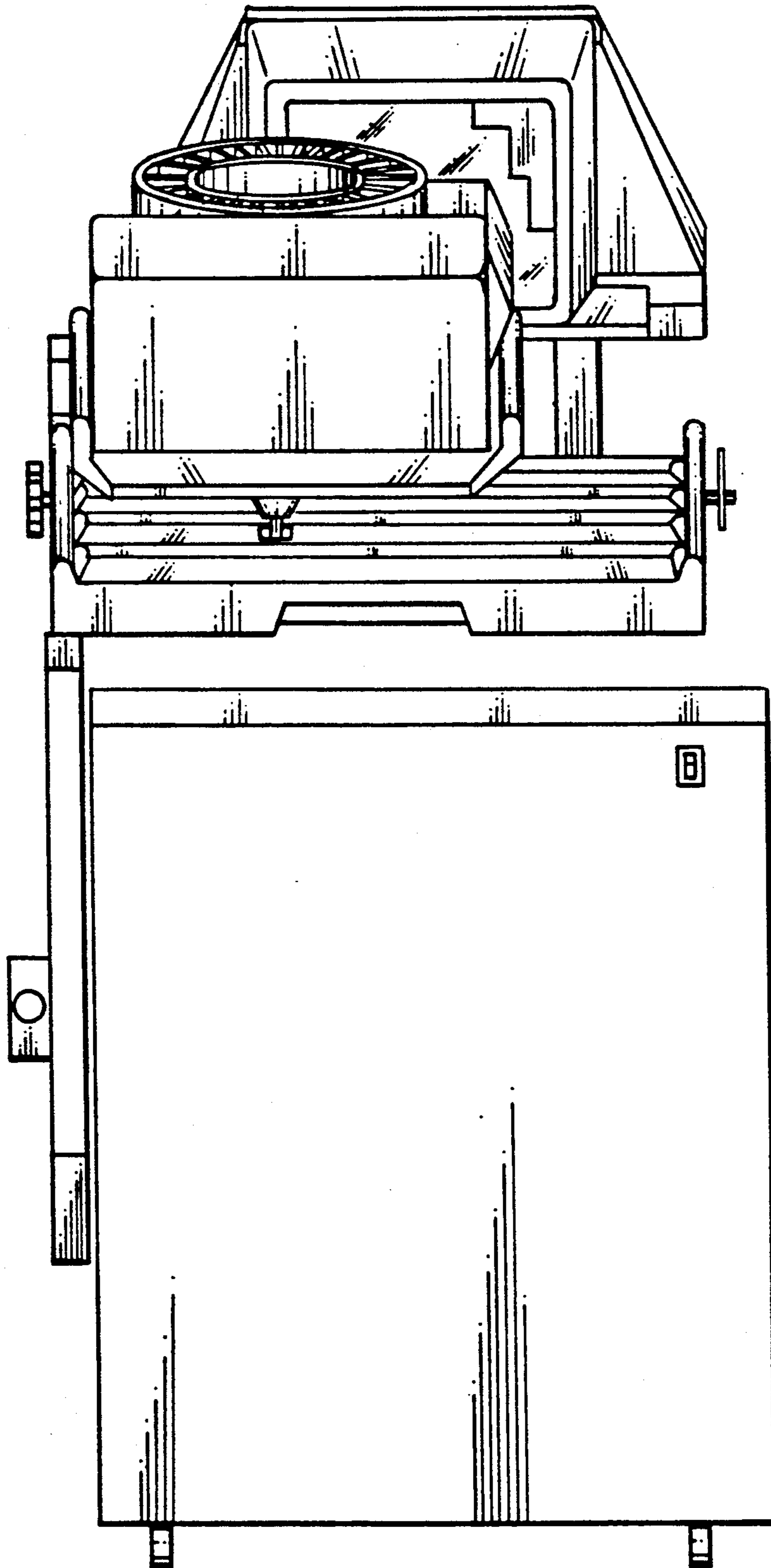


FIG. 4

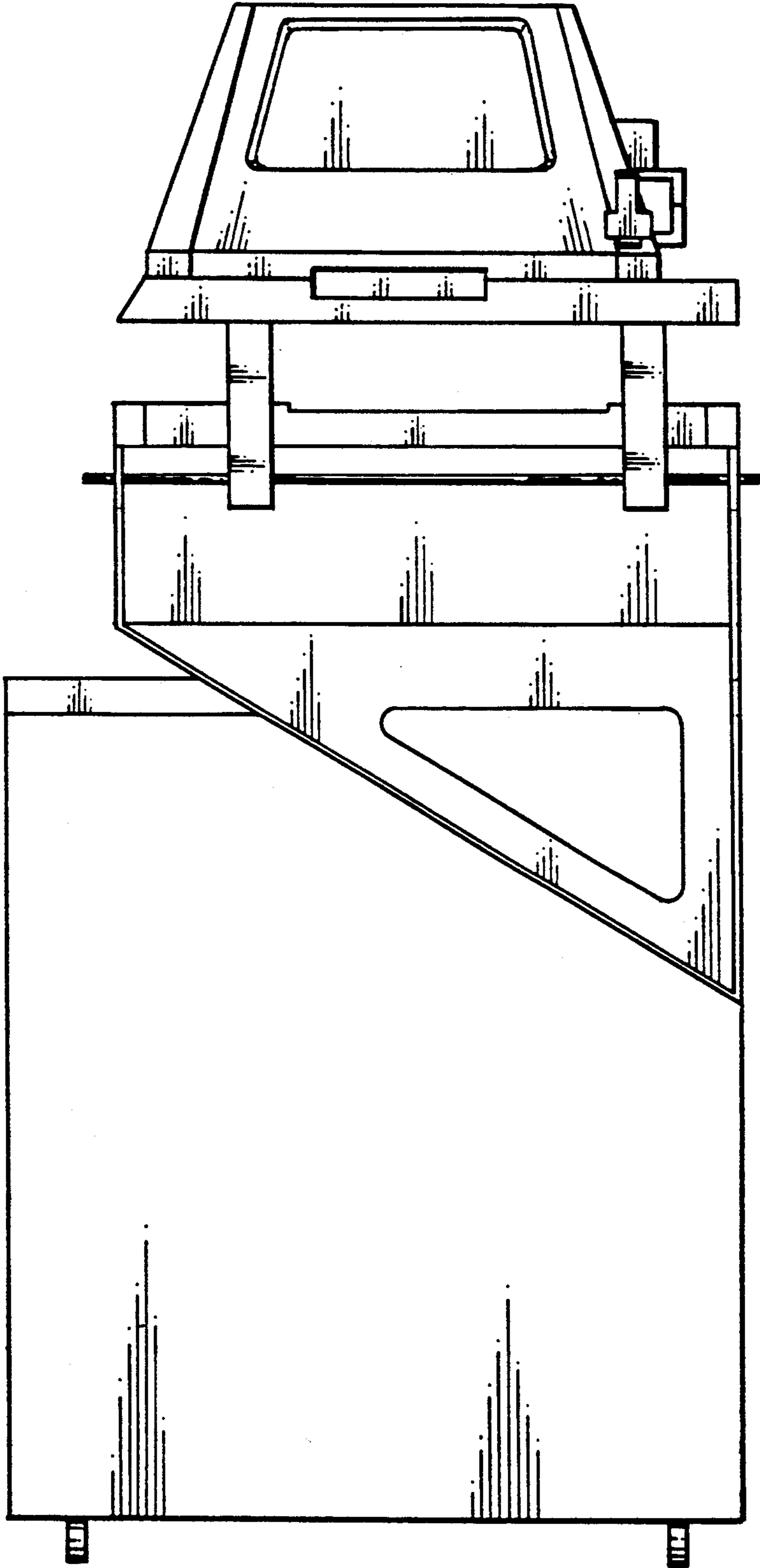


FIG. 5

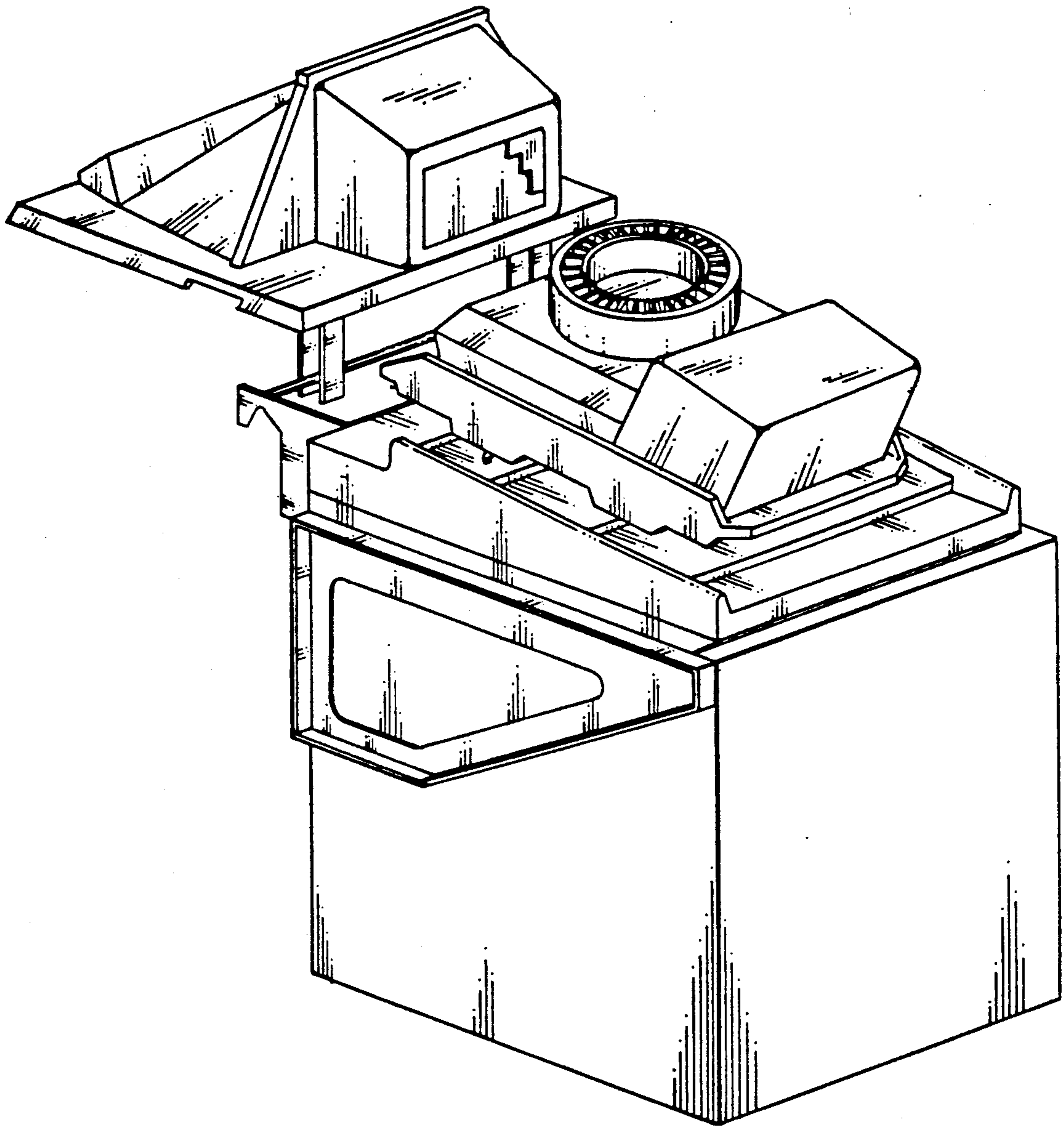


FIG. 6

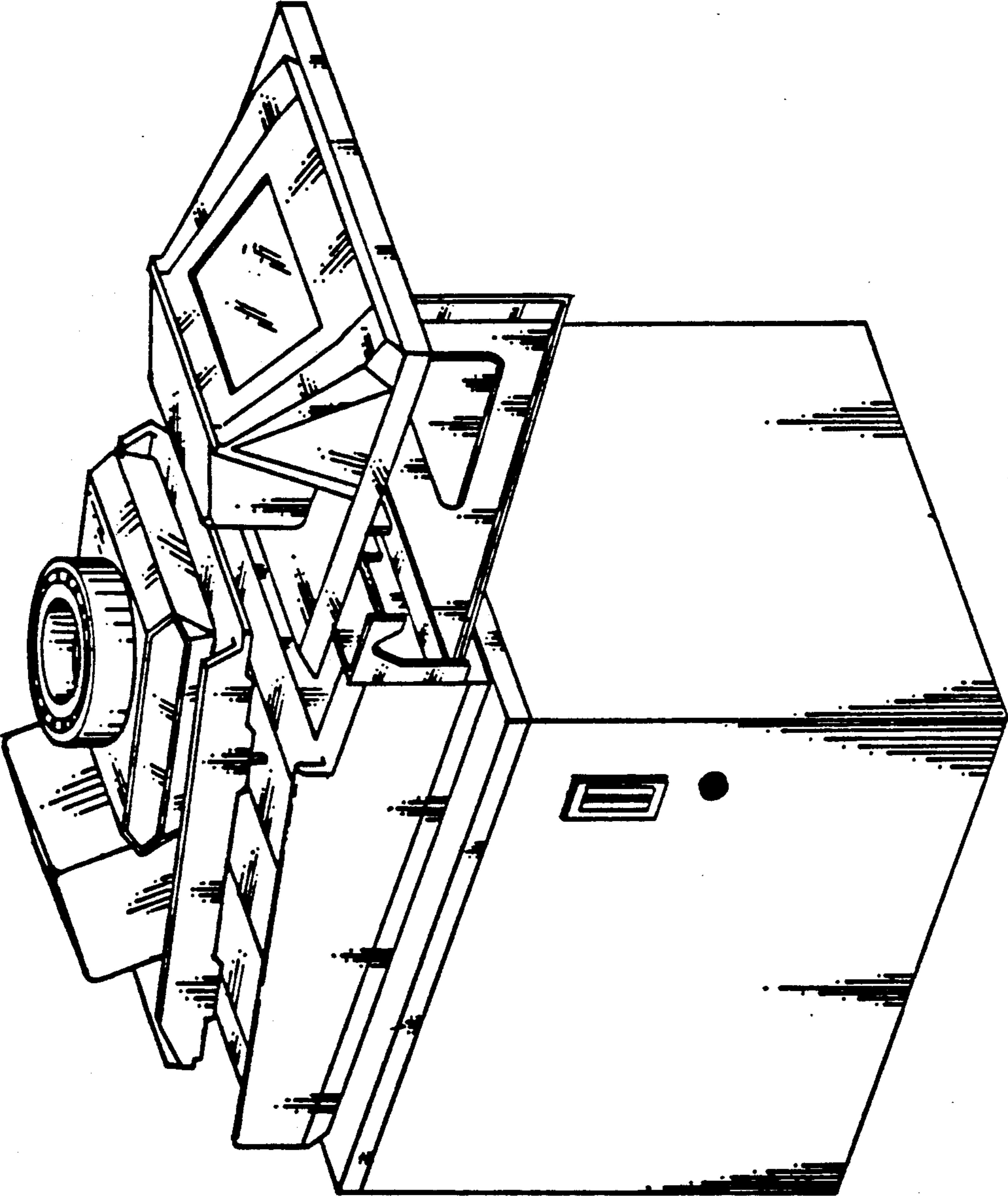


FIG. 7