

[54] MOUNTING MEMBER FOR A CAMERA ACCESSORY

672627 4/1984 Japan .  
679047 11/1984 Japan .

[75] Inventors: Tatsuro Izumi; Tetsuro Ohya, both of Osaka, Japan

[73] Assignee: Minolta Camera Kabushiki Kaisha, Osaka, Japan

[\*\*] Term: 14 Years

[21] Appl. No.: 247,925

[22] Filed: Sep. 22, 1988

[30] Foreign Application Priority Data

Mar. 26, 1988 [JP] Japan ..... 63-12275  
[52] U.S. Cl. .... D16/219  
[58] Field of Search ..... D16/200, 219;  
354/145.1; D8/382, 394; 439/151; 24/572, 563,  
543, 3 J

[56] References Cited

U.S. PATENT DOCUMENTS

4,256,393 3/1981 Dietrich et al. .... 354/145.1  
4,406,533 9/1983 Yamamoto ..... 354/145.1  
4,704,023 11/1987 Curran ..... 354/145.1  
4,771,302 9/1988 Hamada et al. .... 354/145.1  
4,961,083 10/1990 Nakasa et al. .... 354/145.1

FOREIGN PATENT DOCUMENTS

656659 4/1982 Japan .  
679214 1/1984 Japan .

OTHER PUBLICATIONS

Popular Photography, Sep. 1988, p. 25, Sunpak ad.  
Owner's Manual of Minolta Program Flash 1800AF, pp. 2, 3, 4, 5, 7, 10 (c) 1986.  
Owner's Manual of Minolta Program 2800AF, cover flap, p. 6 (c) 1984.  
Owner's Manual of Minolta MAXXUM 7000 Camera, cover flap, pp. 2, 3, 4, 5, 6, 7, 14, 16, 17, 50, 52, 53, 58, (c) 1984).

Primary Examiner—Bernard Ansher  
Assistant Examiner—Philip Hyder  
Attorney, Agent, or Firm—Burns, Doane, Swecker & Mathis

[57] CLAIM

The ornamental design for an mounting member for a camera accessory, as shown and described.

DESCRIPTION

FIG. 1 is a right front perspective view of a mounting member for a camera accessory showing our new design;  
FIG. 2 is a bottom plan view thereof;  
FIG. 3 is a front elevational view thereof;  
FIG. 4 is an enlarged bottom plan view thereof;  
The broken lines illustrating the camera is for illustrative purposes only and forms no part of the claimed design.

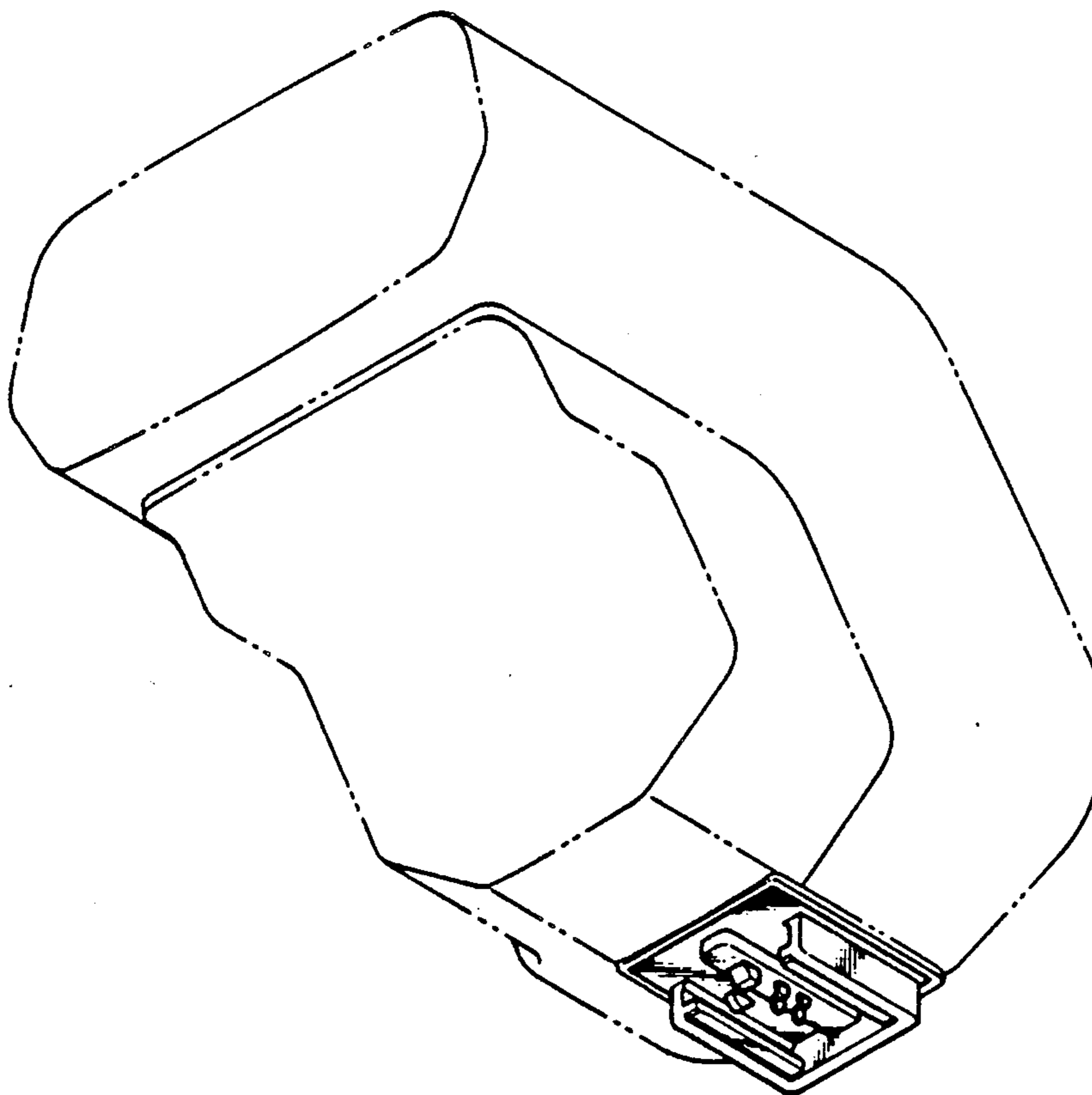


FIG. 1

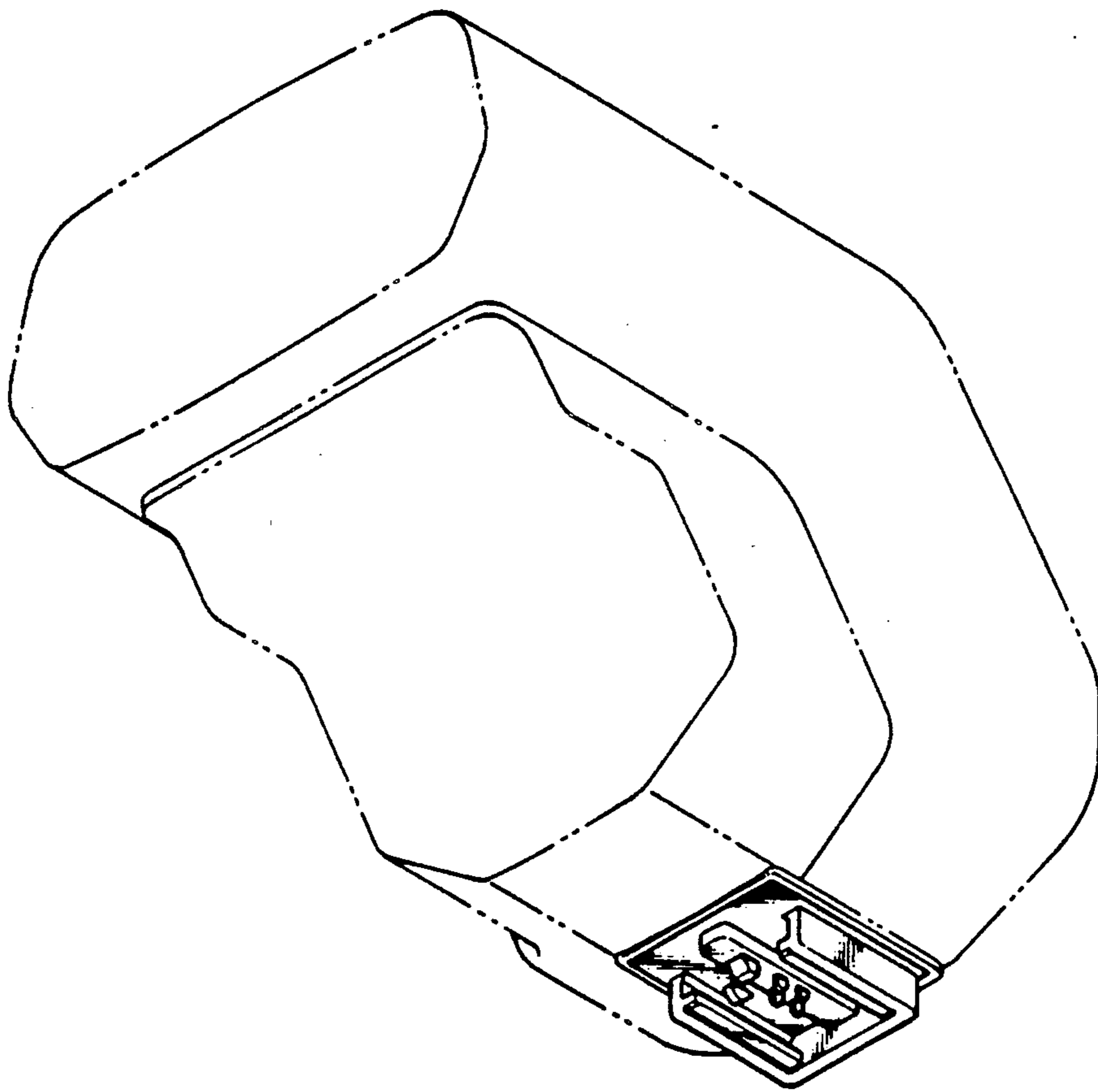


FIG. 2

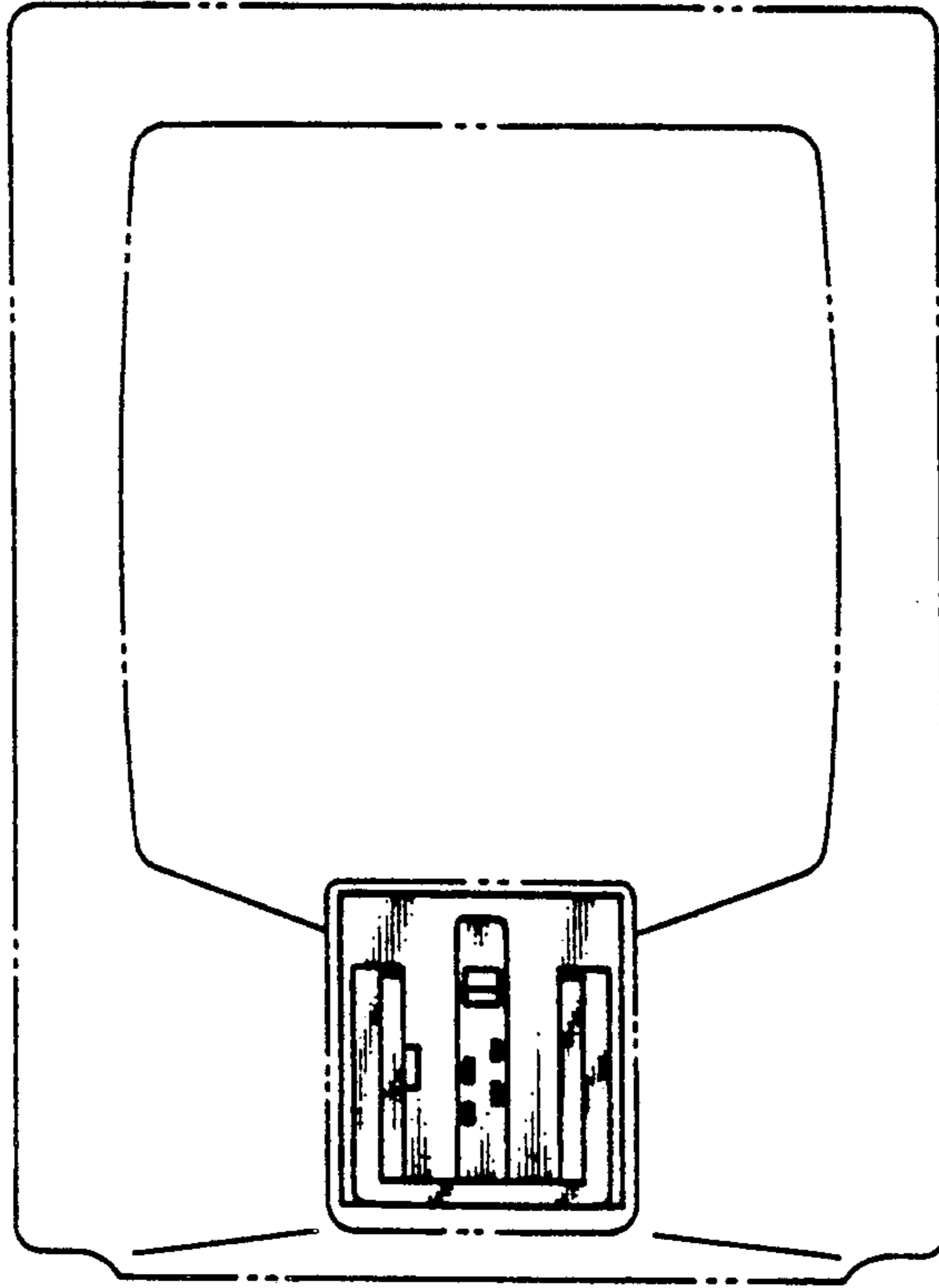


FIG. 3

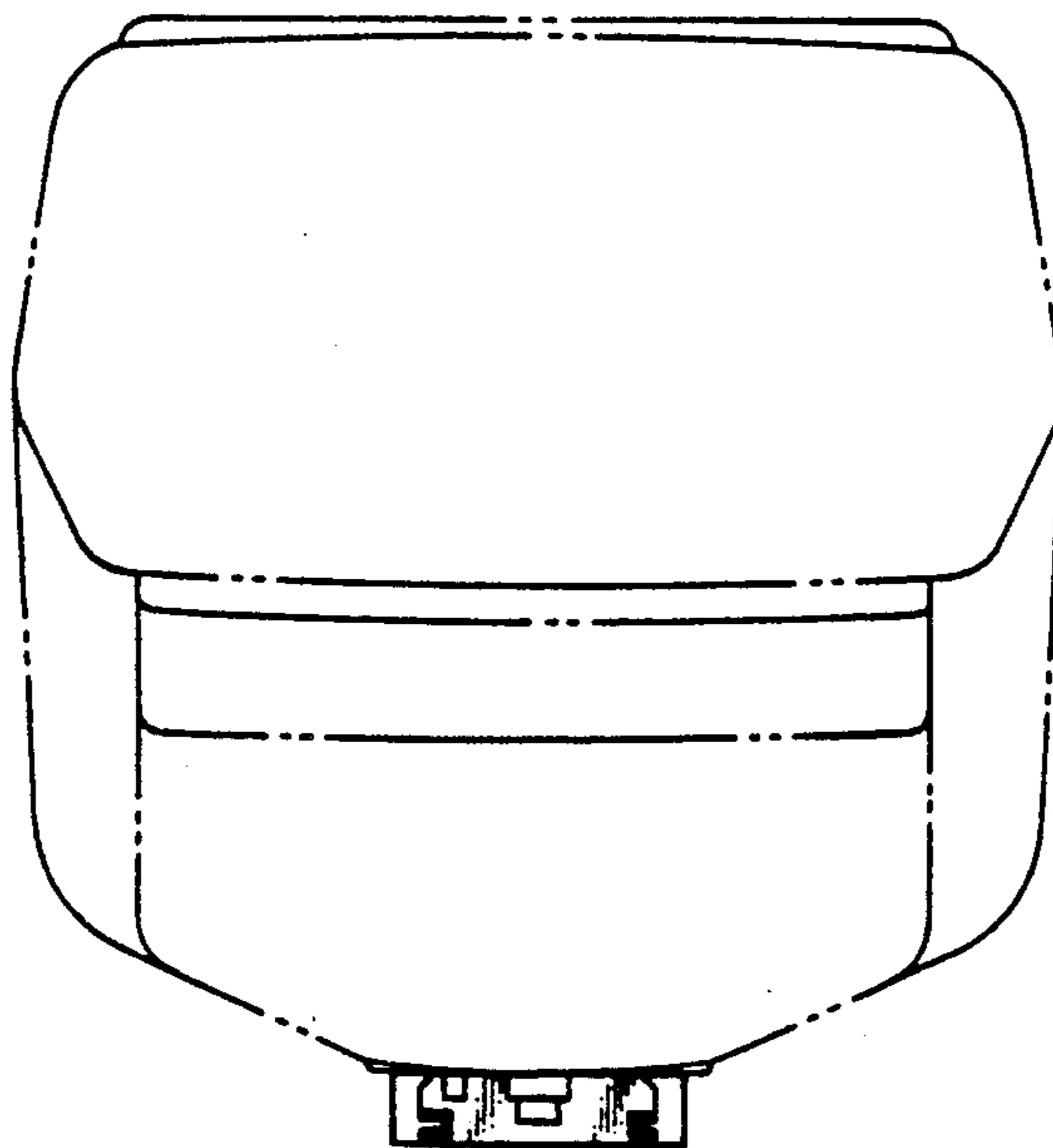


FIG. 4

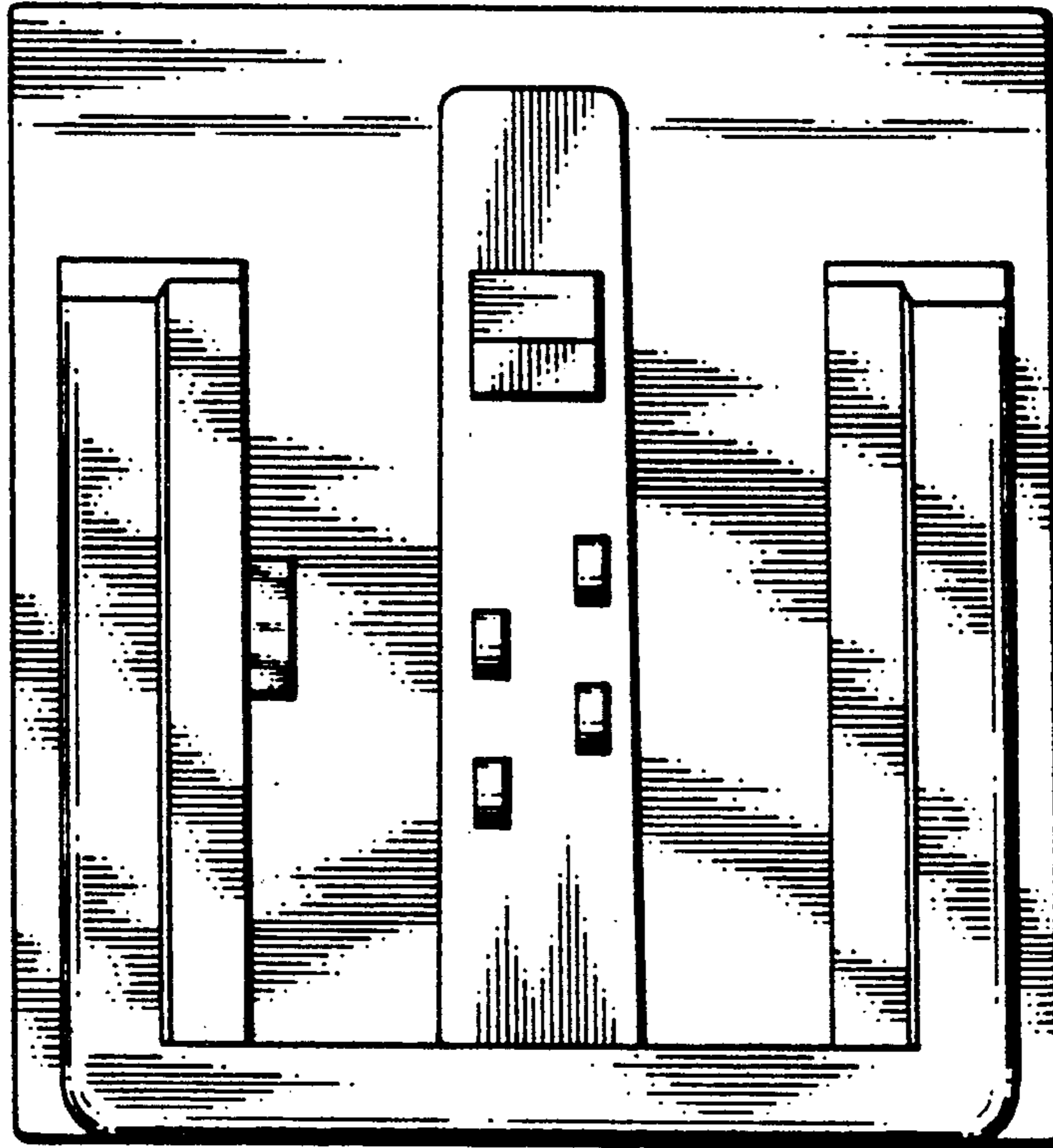


FIG. 5

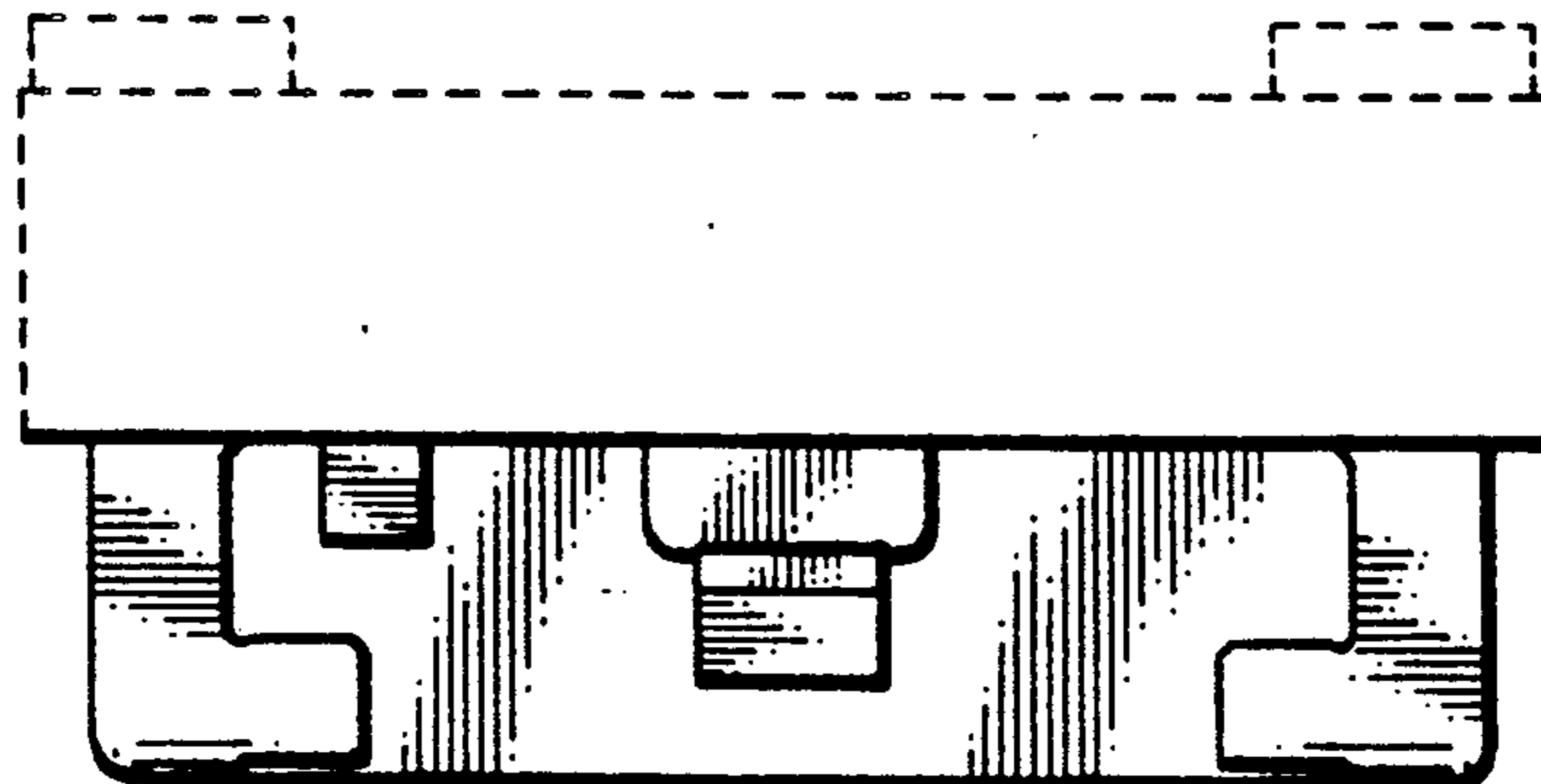


FIG. 6

