

[54] **TUNDISH INSERT**

[75] **Inventor: Donald R. Zacharias, Parma Heights, Ohio**

[73] **Assignee: Foseco International Limited, Birmingham, England**

[**] **Term: 14 Years**

[21] **Appl. No.: 649,820**

[22] **Filed: Feb. 1, 1991**

[52] **U.S. Cl. D15/144**

[58] **Field of Search D15/135, 136, 144, 199; 164/415, 437; 222/591, 592, 593, 603, 607**

[56] **References Cited**

U.S. PATENT DOCUMENTS

D. 211,906	8/1968	Fenton	D15/135
3,333,746	8/1967	Cope et al.	222/591
4,708,326	11/1987	Brockmeyer et al.	222/591 X
4,860,819	8/1989	Moscoc et al.	222/591 X

Primary Examiner—Bruce W. Dunkins
Assistant Examiner—Antoine D. Davis
Attorney, Agent, or Firm—Nixon & Vanderhye

[57] **CLAIM**

The ornamental design for a tundish insert, as shown and described.

DESCRIPTION

FIG. 1 is a top plan view of tundish insert showing my new design;
FIG. 2 is an end elevational view;
FIG. 3 is an elevational view showing the end opposite that shown in FIG. 2;
FIG. 4 is a first side view, and
FIG. 5 is the opposite side view;
FIG. 6 is a cross-sectional view taken along lines 6—6 of FIG. 4;
FIG. 7 is a cross-sectional view taken along lines 7—7 of FIG. 1; and
FIG. 8 is a top, front, right perspective view thereof;

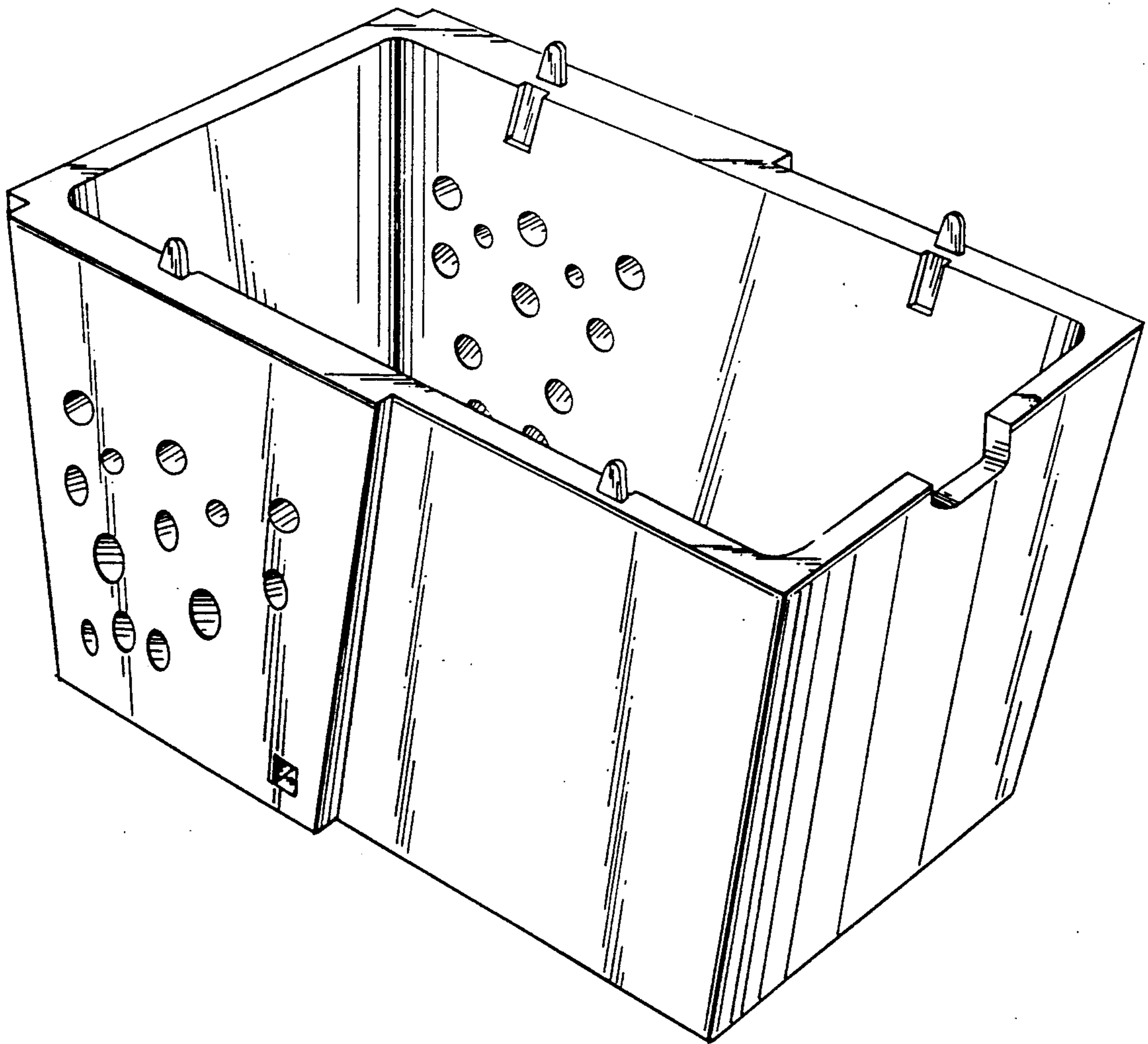


FIG. 1

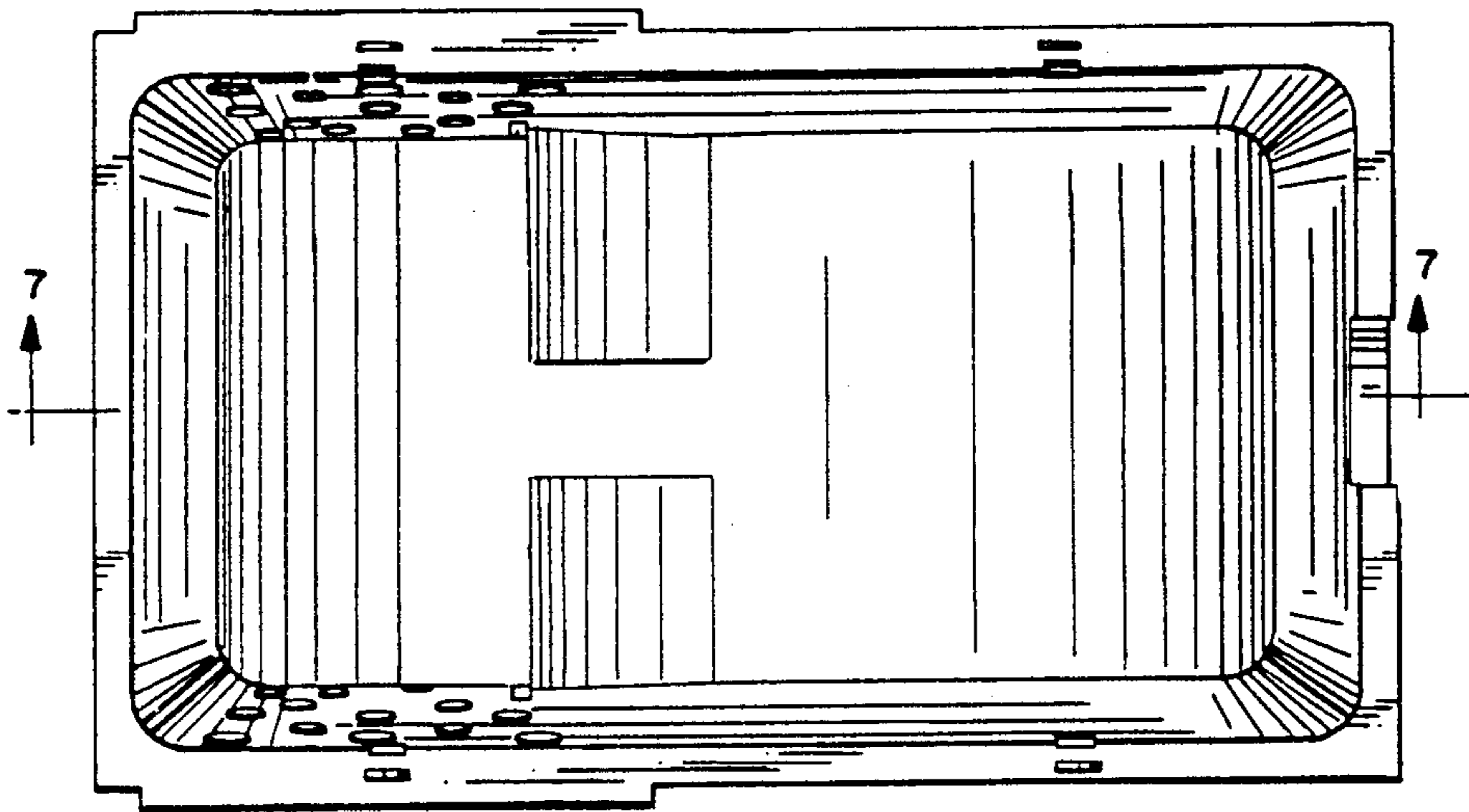


FIG. 2

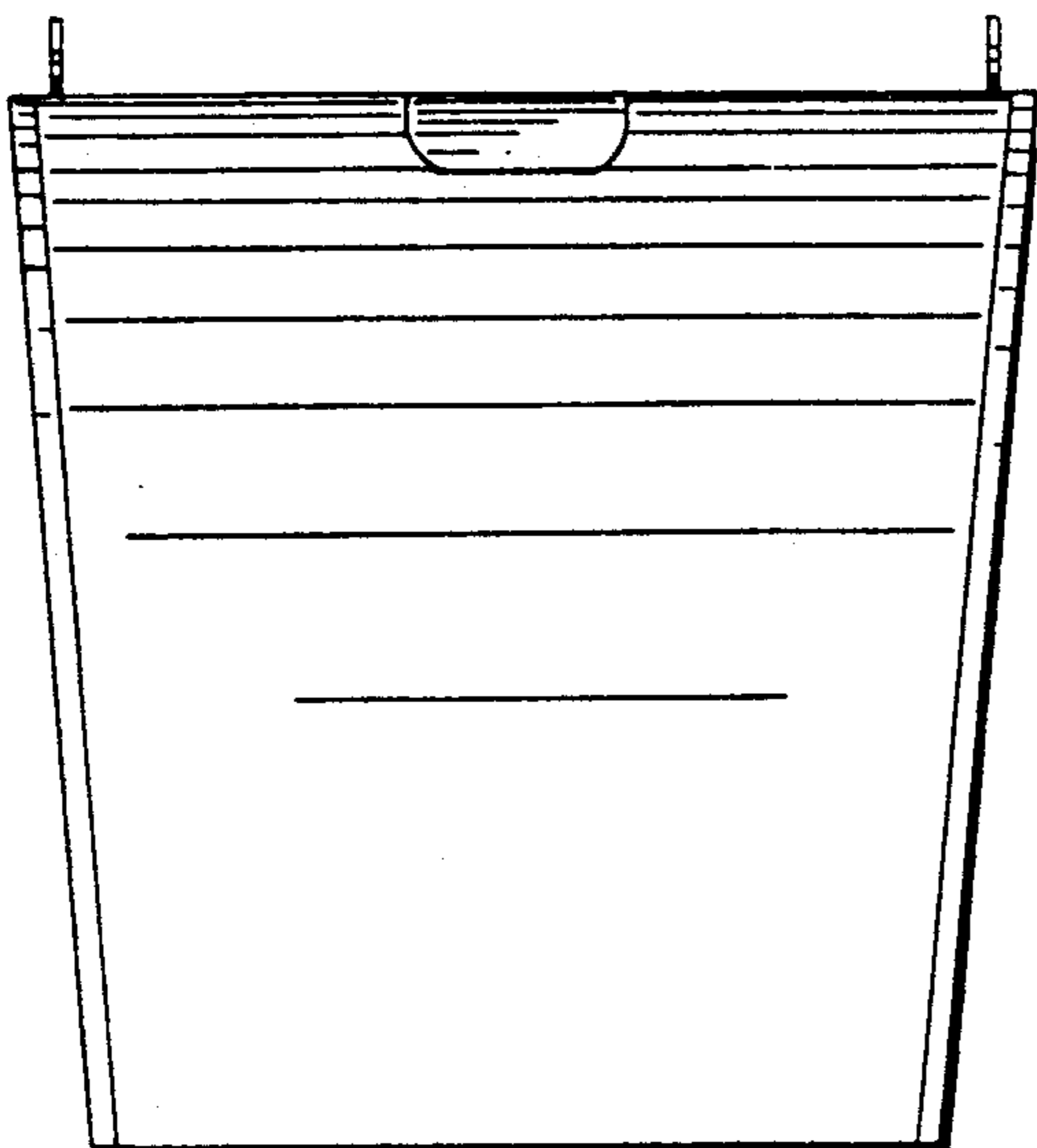


FIG. 3

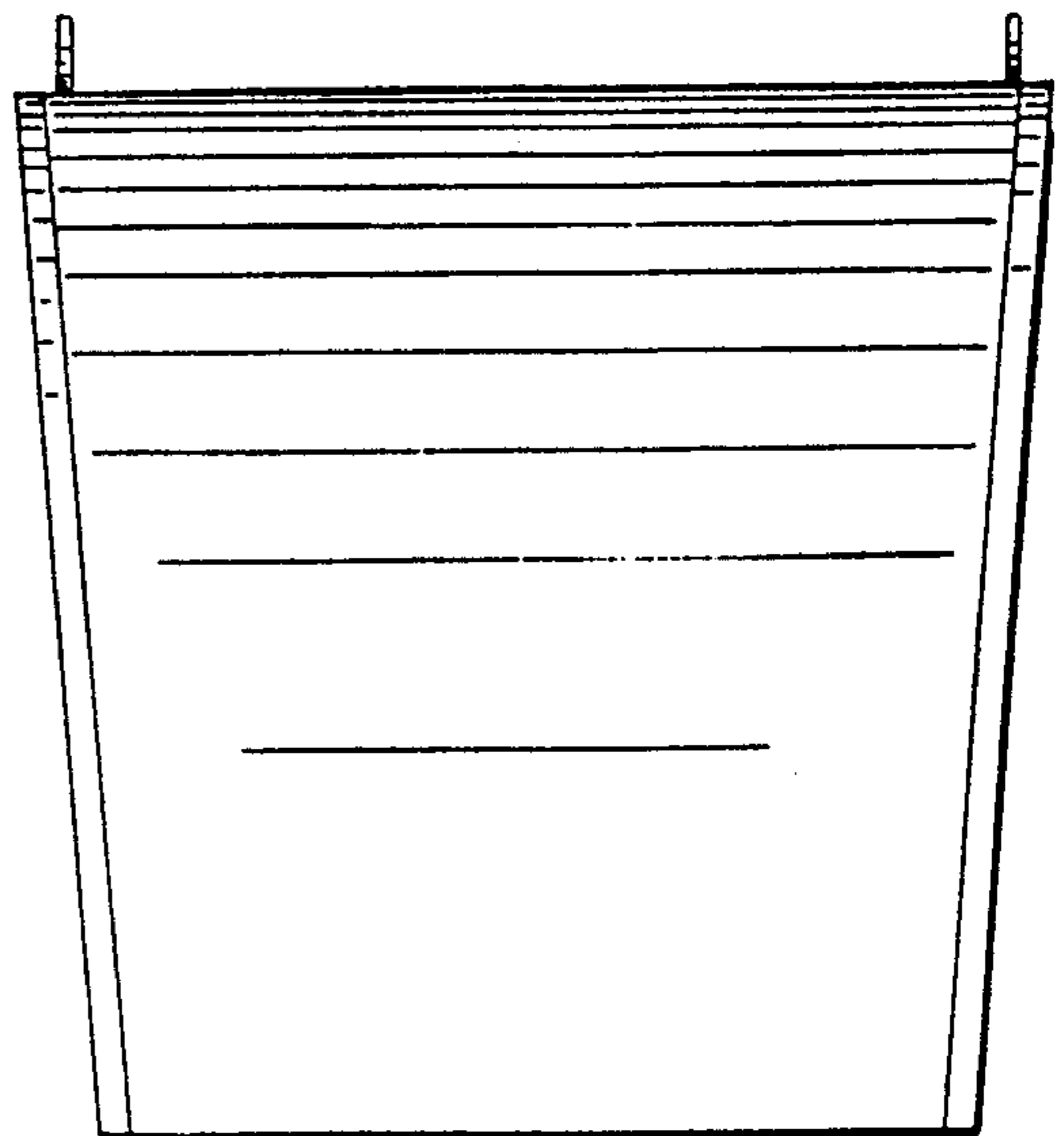


FIG. 4

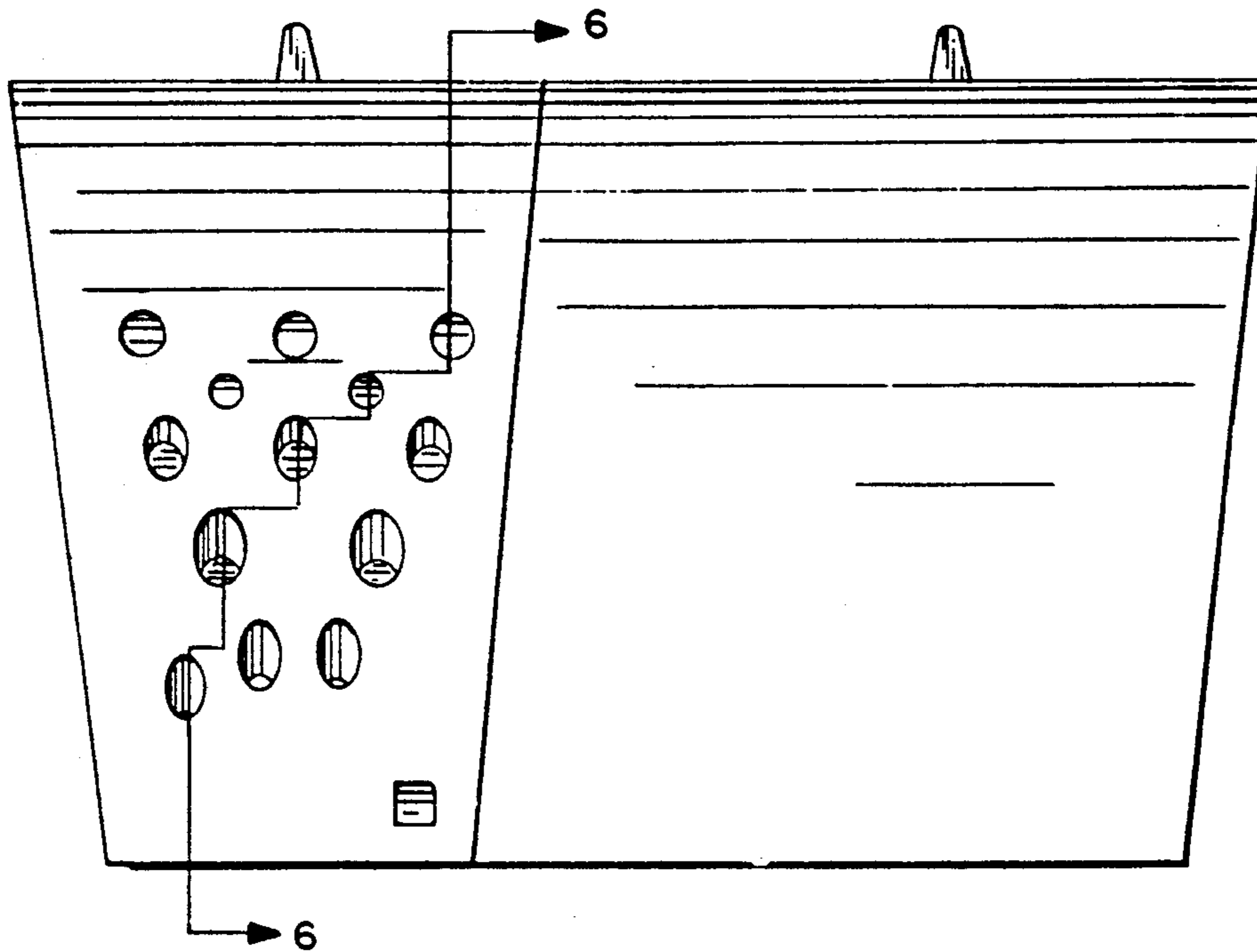


FIG. 5

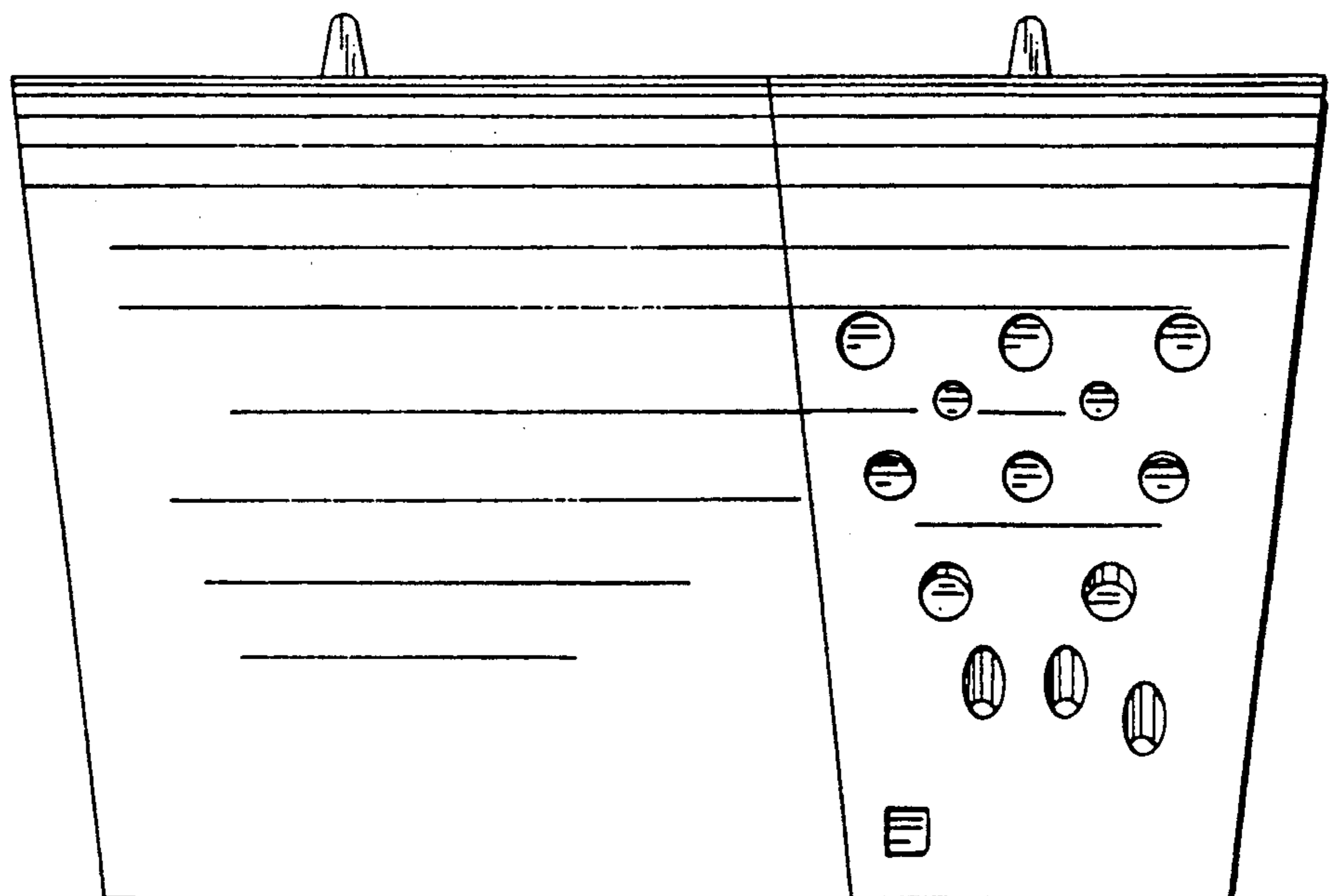


FIG. 6

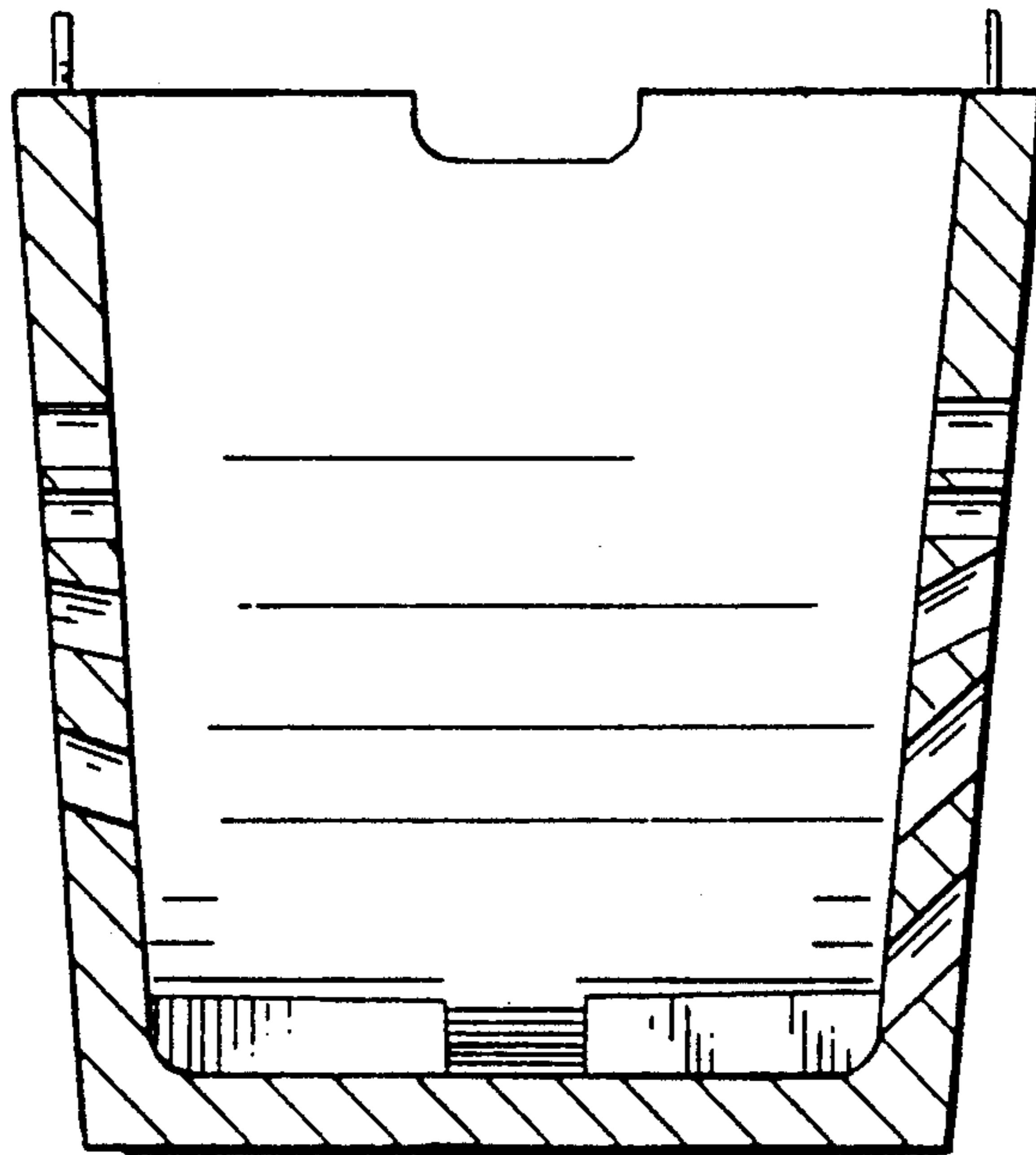


FIG. 7

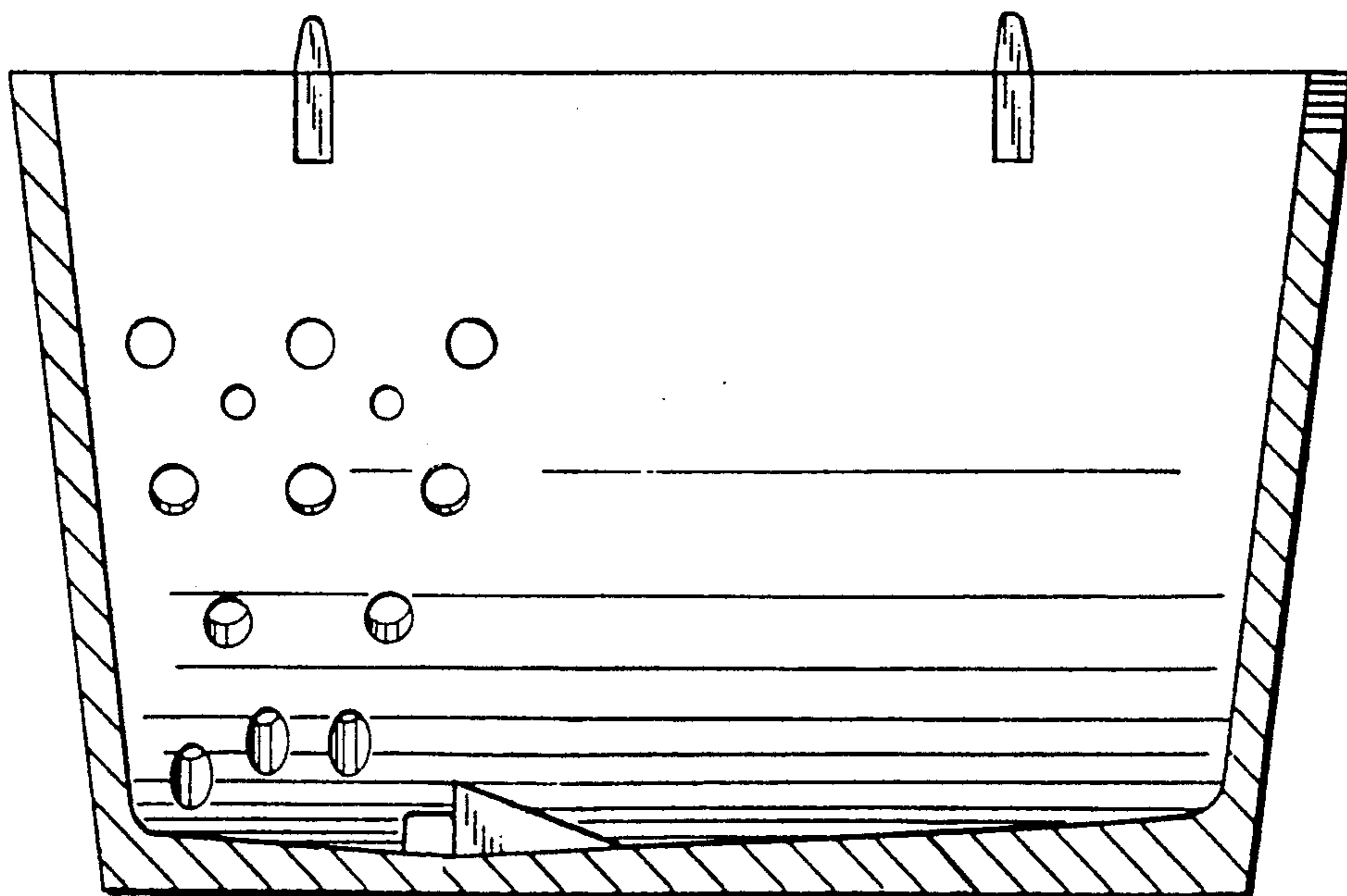


FIG. 8

