

[54] SEWING MACHINE

[75] Inventors: Nobufusa Kuroki; Megumi Nakajima, both of Tokyo, Japan

[73] Assignee: Jamone Sewing Machine Co., Ltd., Tokyo, Japan

[**] Term: 14 Years

[21] Appl. No.: 339,242

[22] Filed: Apr. 14, 1989

[30] Foreign Application Priority Data

Feb. 23, 1989 [JP] Japan 1-6430

[52] U.S. Cl. D15/70

[58] Field of Search D15/66-76; 112/199, 217.1-217.4, 258-261, 262.1

[56] References Cited

U.S. PATENT DOCUMENTS

- D. 235,925 7/1975 Kudo D15/68
- D. 289,298 4/1987 Eguchi et al. D15/70

- D. 292,712 11/1987 Aono D15/70
- D. 293,115 12/1987 Kuroki D15/69
- D. 313,604 1/1991 Shibayama D15/70

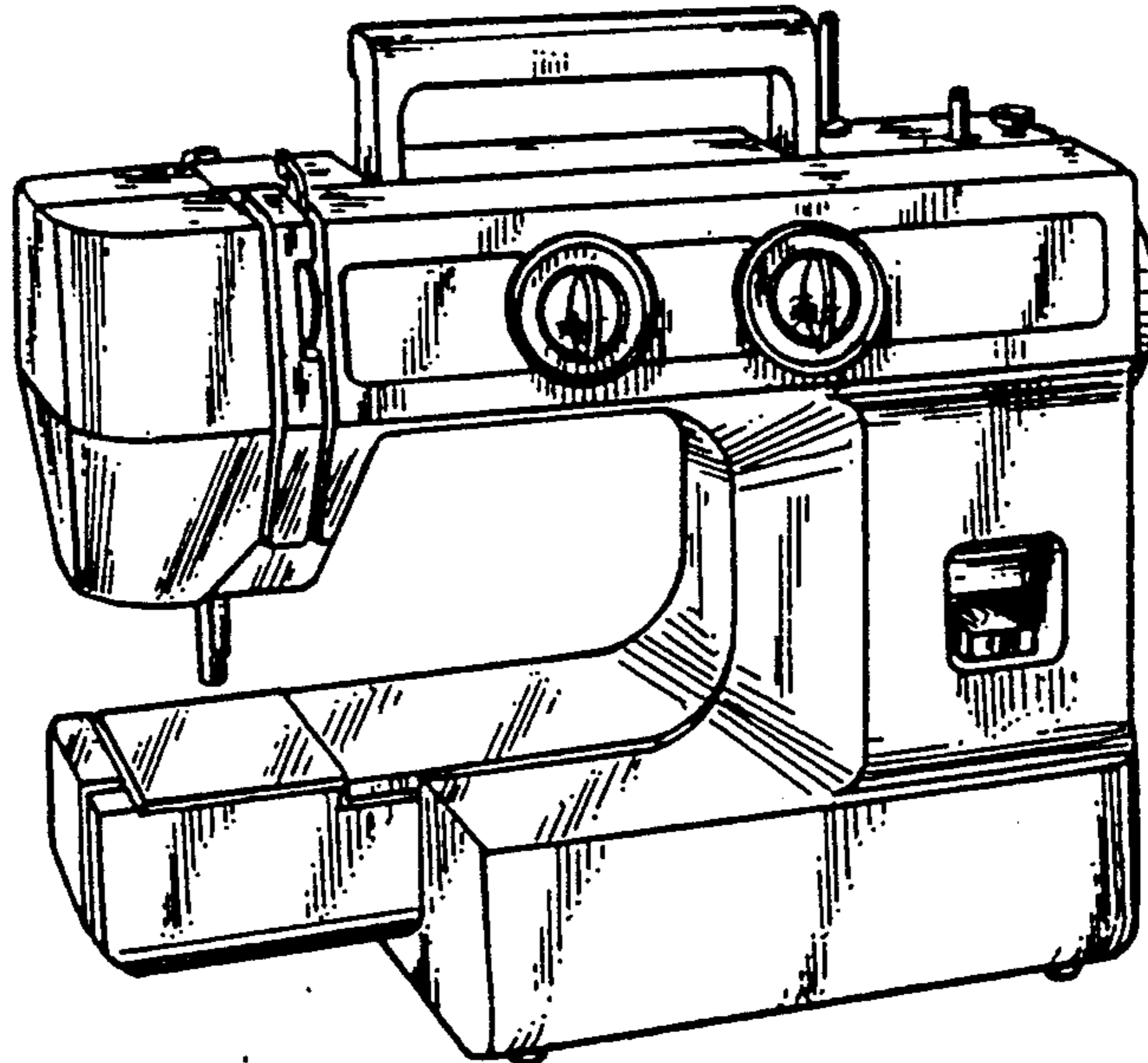
Primary Examiner—Bernard Ansher
Assistant Examiner—Sandra Morris
Attorney, Agent, or Firm—Michael J. Striker

[57] CLAIM

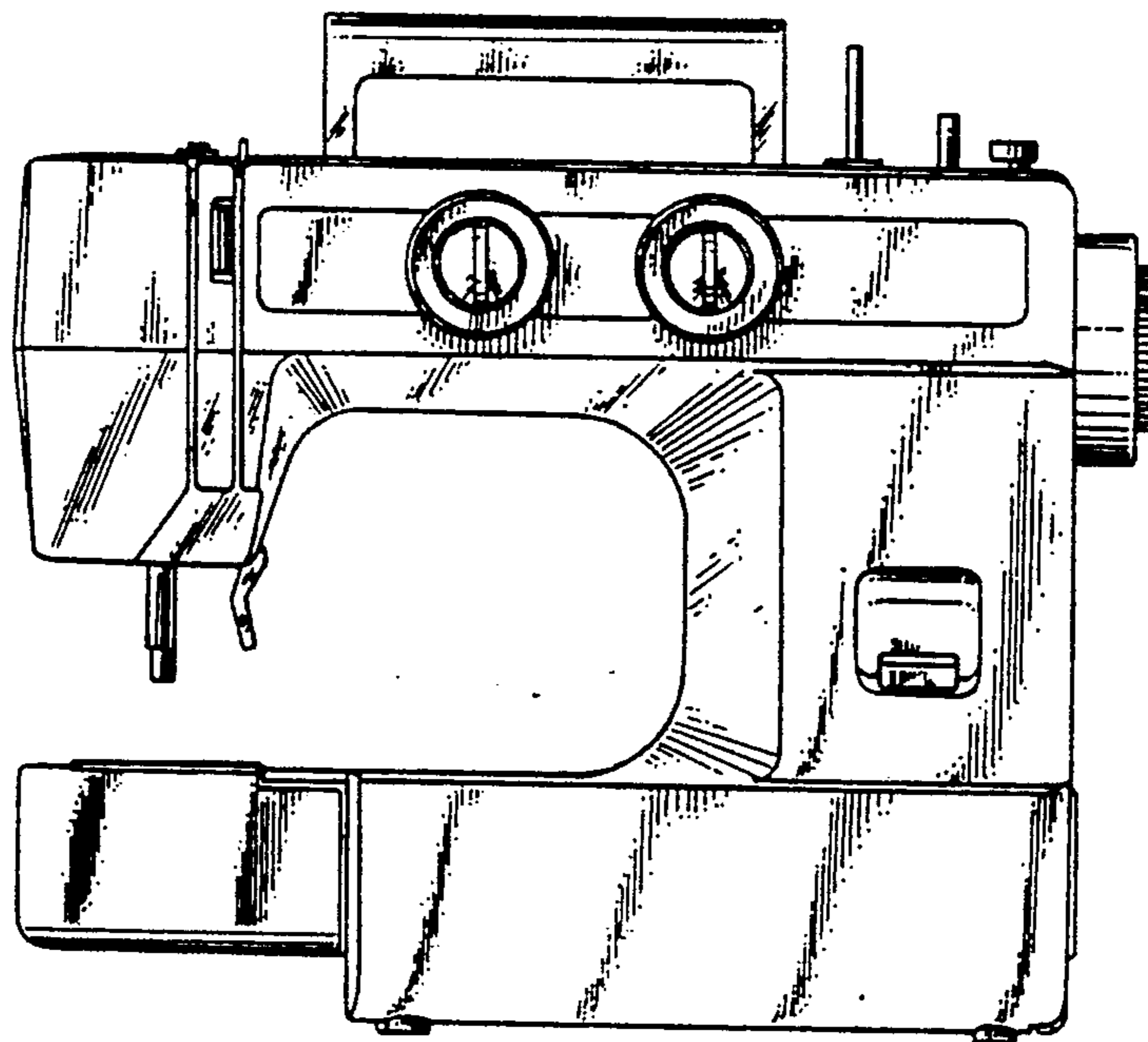
The ornamental design for a sewing machine, as shown and described.

DESCRIPTION

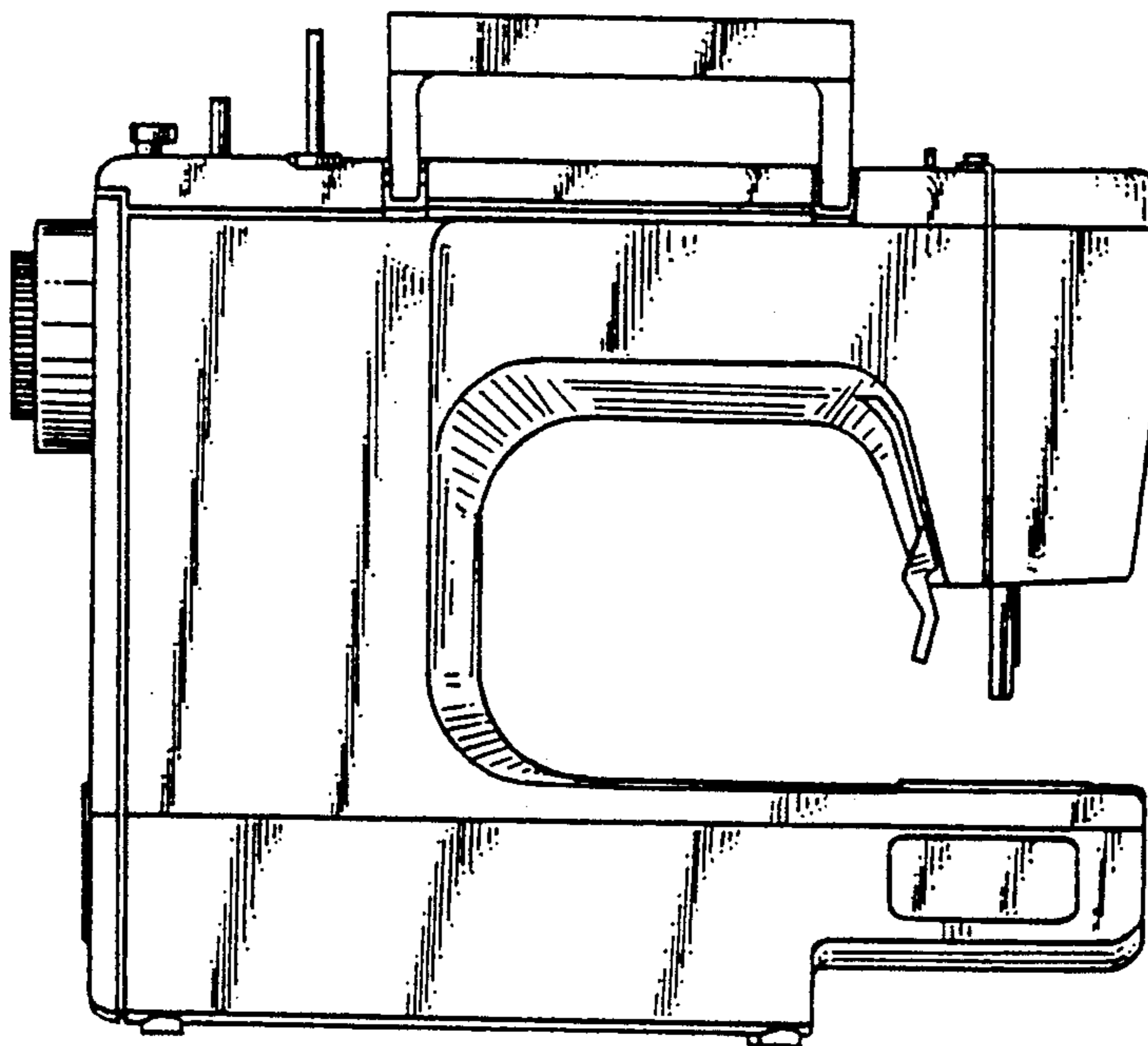
FIG. 1 is a front elevational view of a sewing machine, showing my new design;
FIG. 2 is a rear elevational view thereof;
FIG. 3 is a left side elevational view thereof;
FIG. 4 is a right side elevational view thereof;
FIG. 5 is a top plan view thereof;
FIG. 6 is a bottom plan view thereof;
FIG. 7 is a reduced perspective view thereof;
FIG. 8 is a reduced perspective view of a second embodiment of the design in FIG. 7.



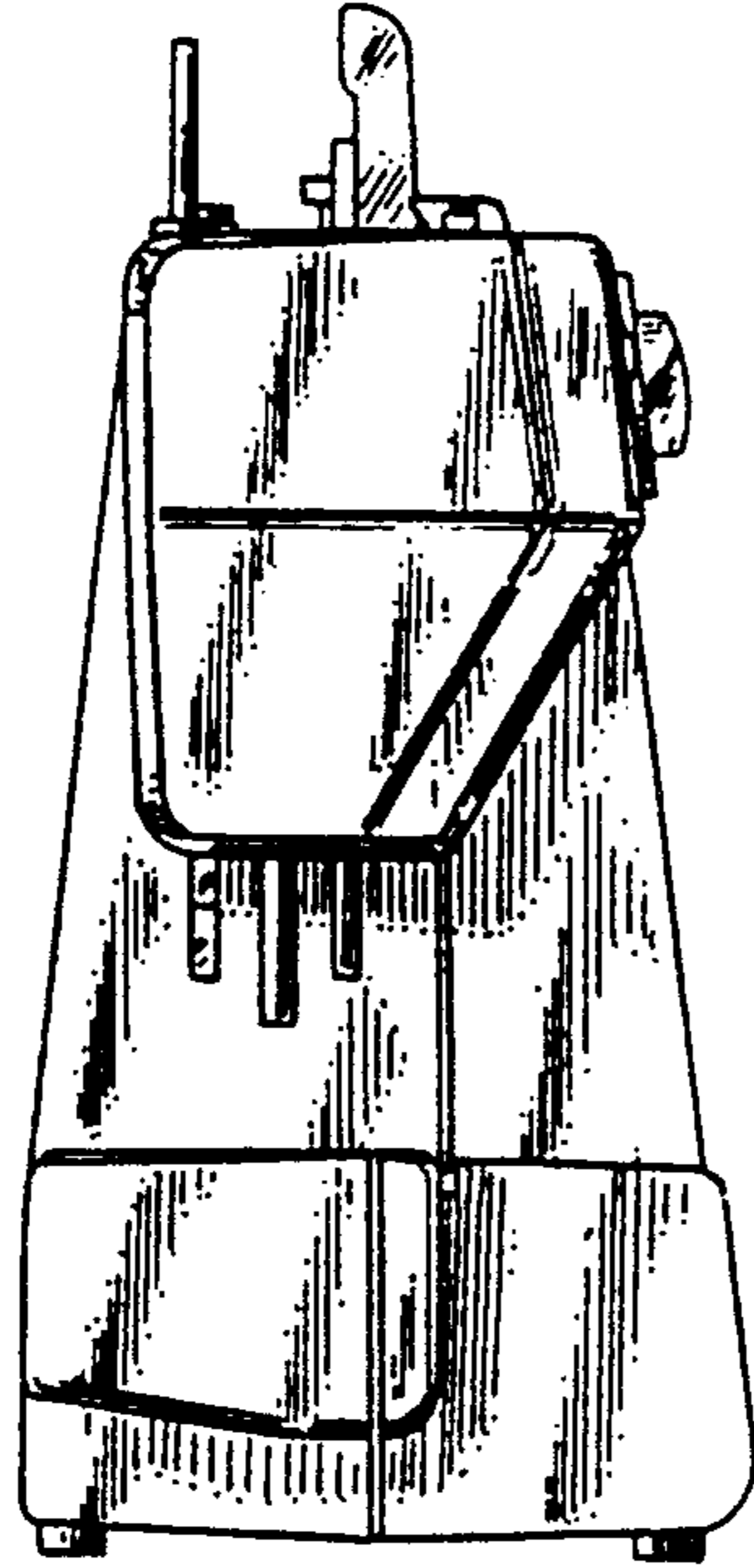
FIG_1



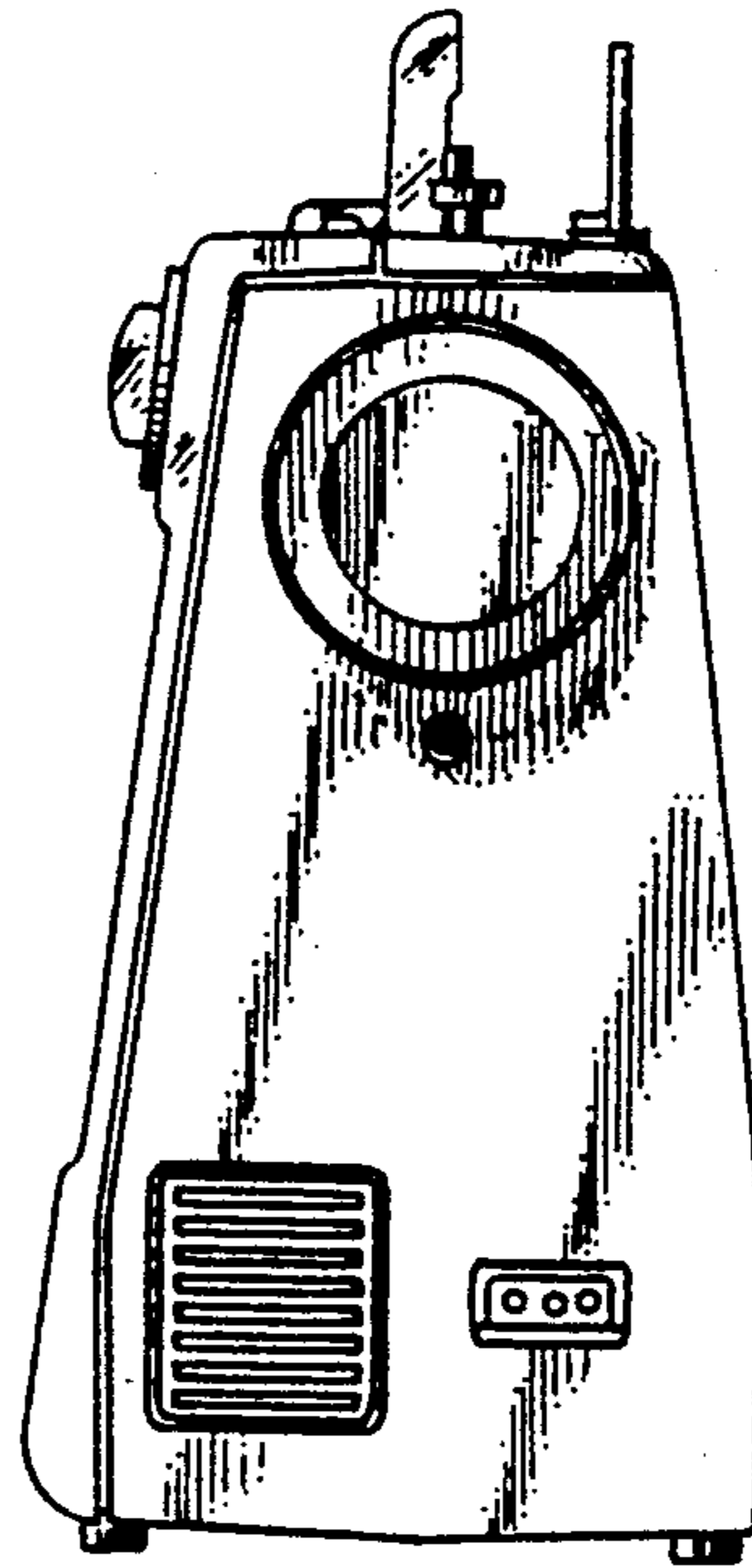
FIG_2



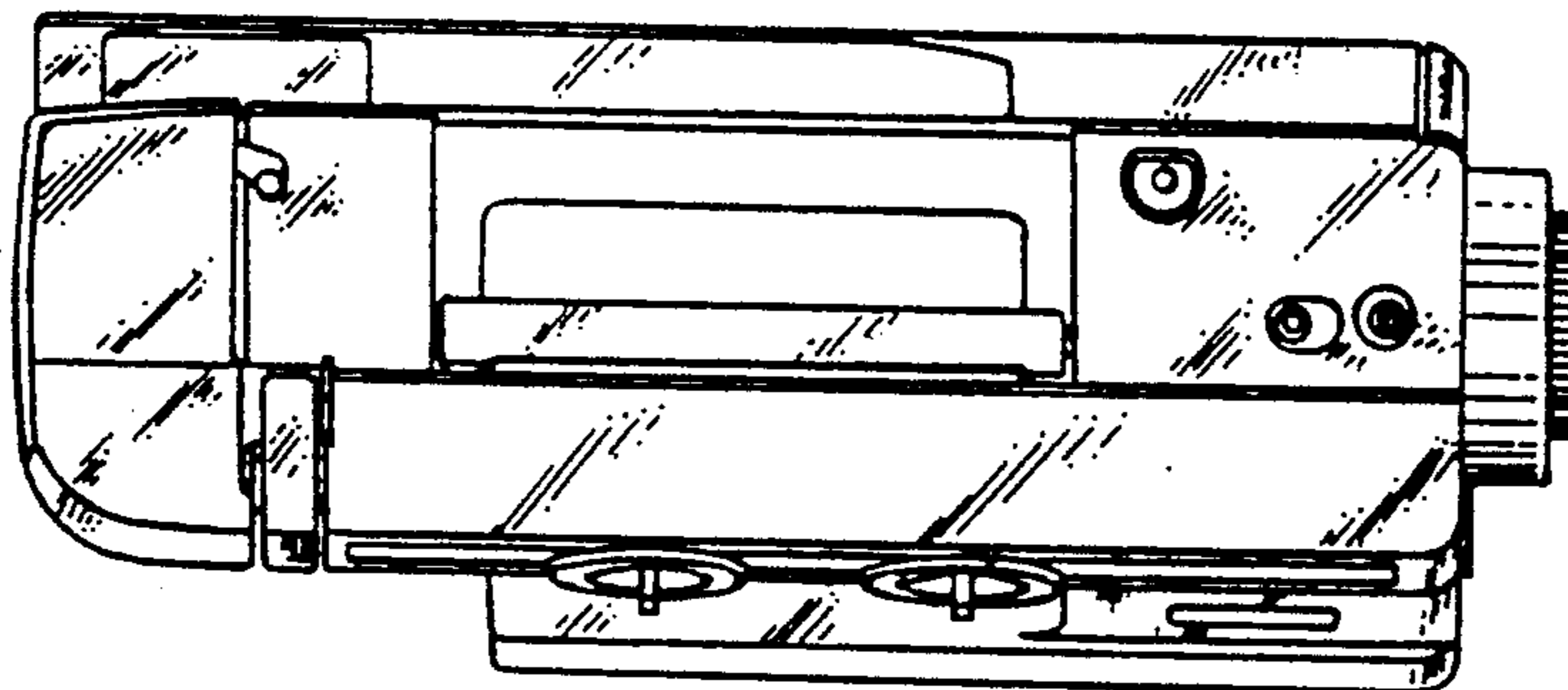
FIG_3



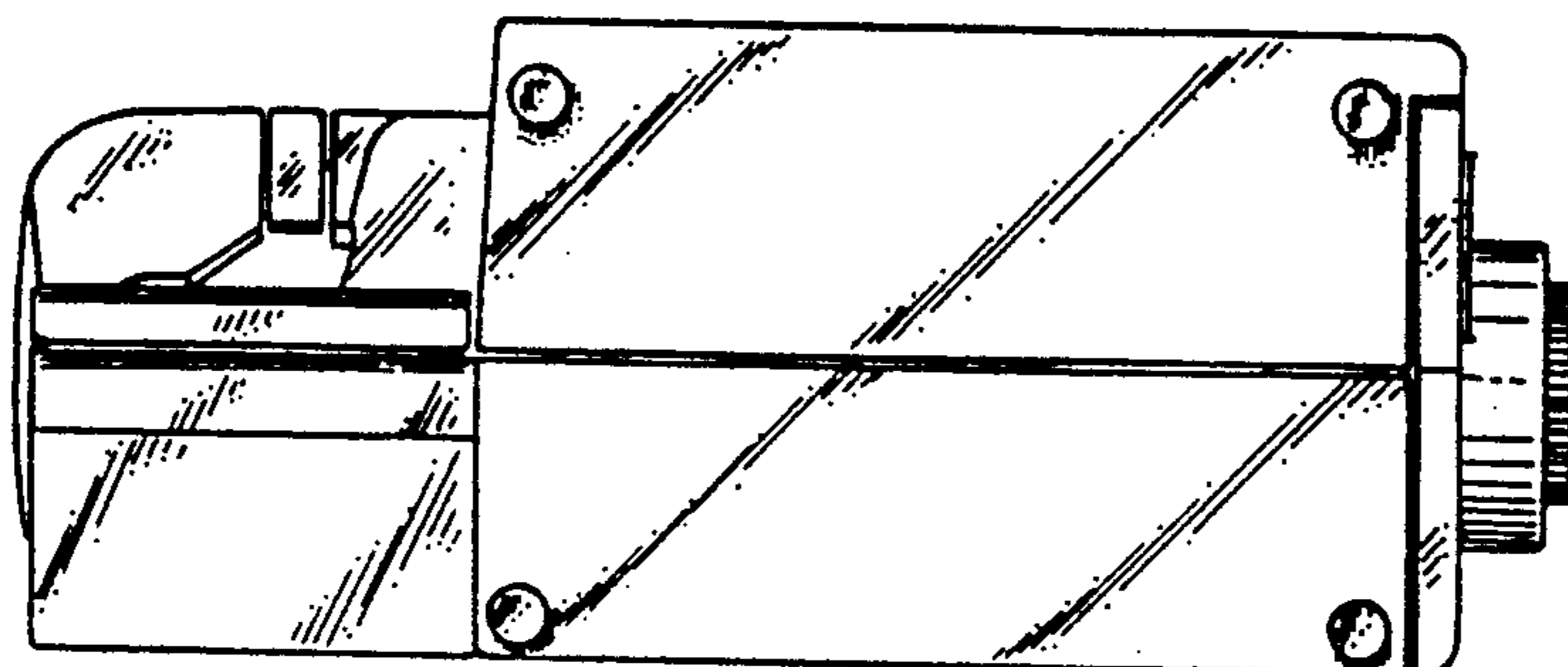
FIG_4



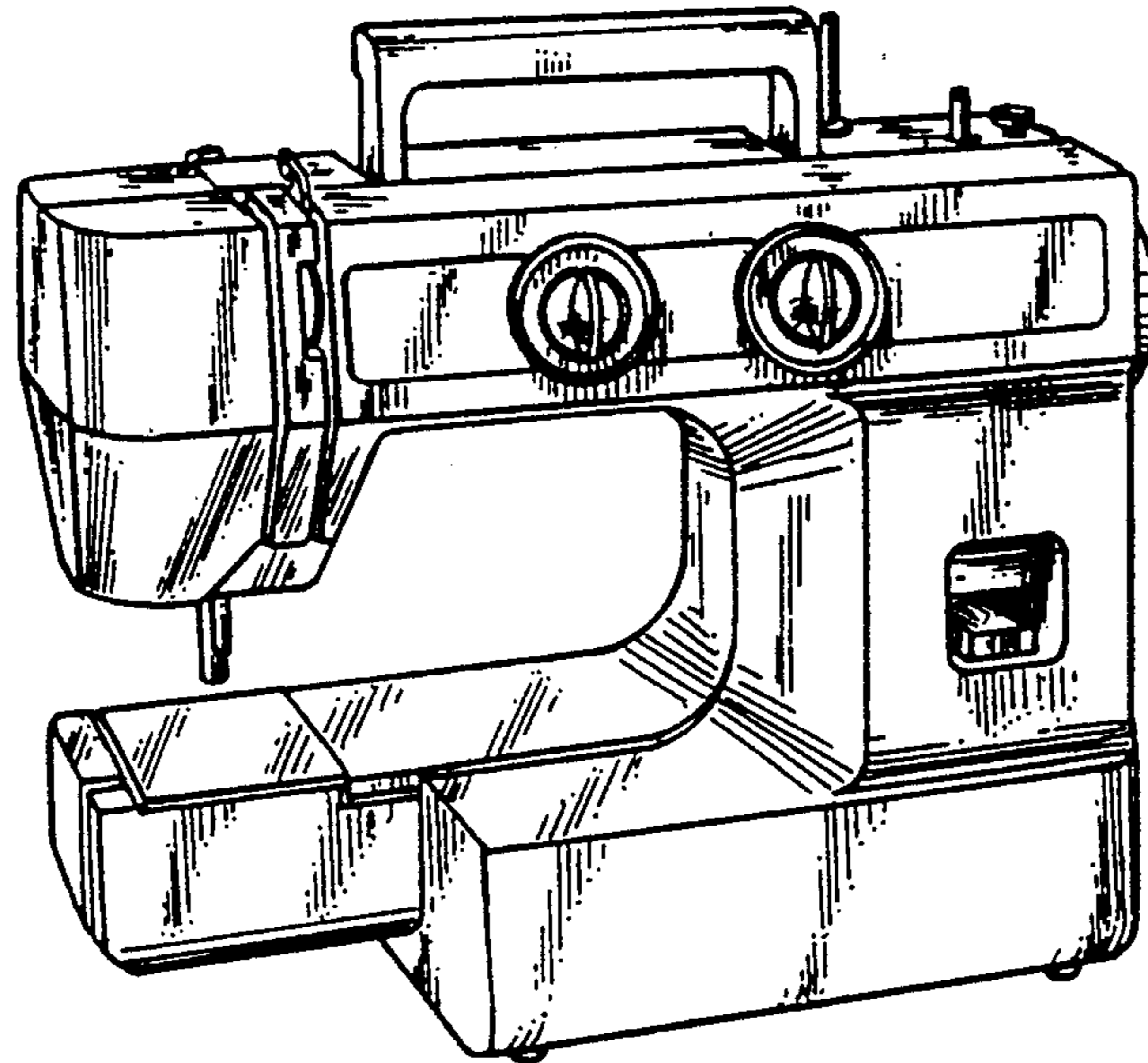
FIG_5



FIG_6



FIG_7



FIG_8

