

[54] **REMOTE CONTROLLER**
 [75] **Inventor: Douglas M. Patton, Irvine, Calif.**
 [73] **Assignee: Mitsubishi Electric Sales America, Inc., Cypress, Calif.**
 [**] **Term: 14 Years**
 [21] **Appl. No.: 348,467**
 [22] **Filed: May 5, 1989**
 [52] **U.S. Cl. D14/218**
 [58] **Field of Search D14/217, 218, 299; 358/194.1; 455/151, 352-355, 603, 605**

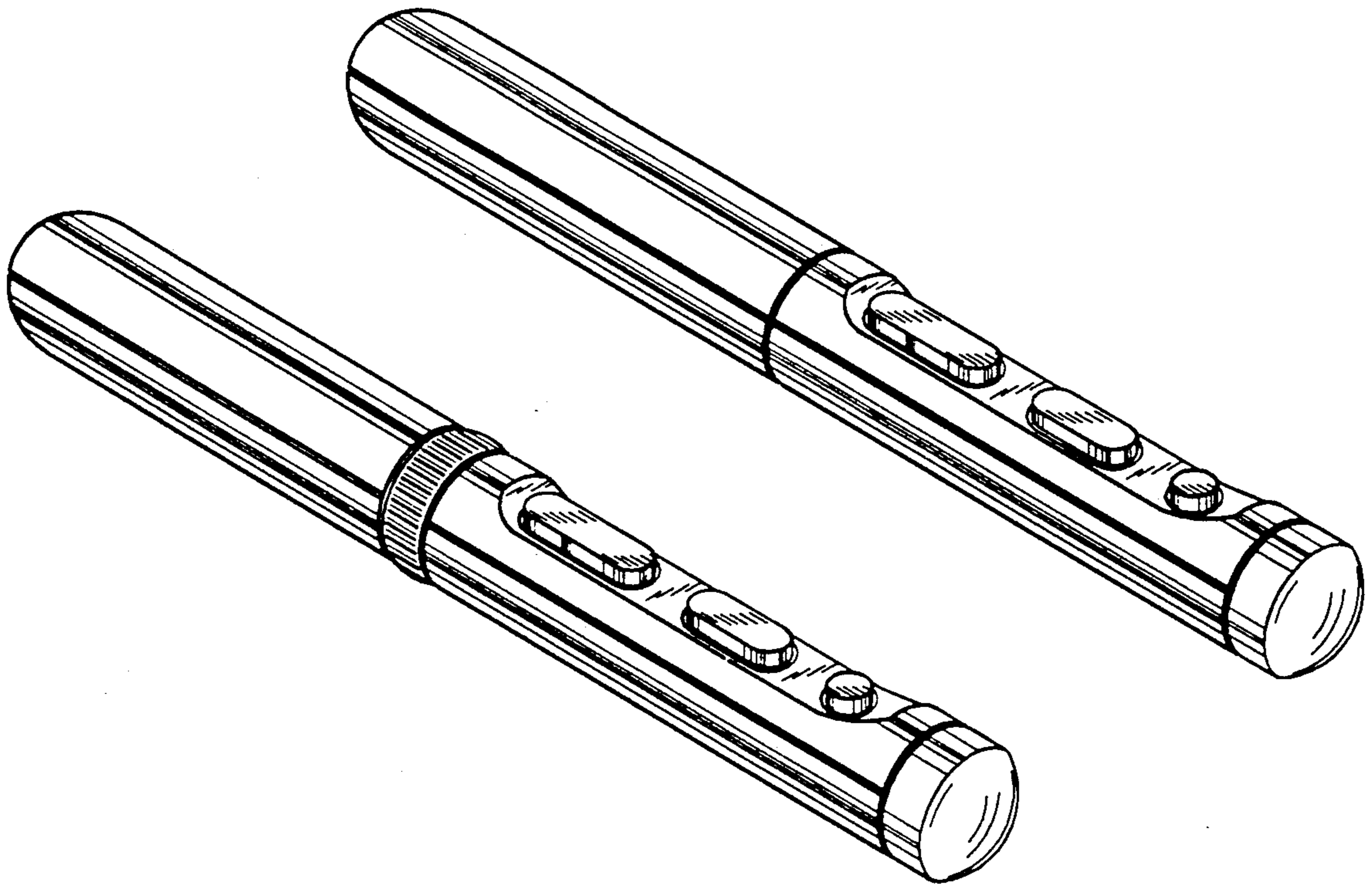
4,231,031 10/1980 Crowther et al. .
 4,263,592 4/1981 Takahashi et al. .
 4,264,896 4/1981 Sakarya et al. .
 4,264,982 4/1981 Sakarya .
 4,549,179 10/1985 Stendardo .
 4,578,674 3/1986 Baker et al. .
 4,677,428 6/1987 Bartholow .
 4,687,918 8/1987 Hughes et al. .
 4,768,230 8/1988 Viebrantz et al. .

Primary Examiner—Terry A. Pfeffer
Attorney, Agent, or Firm—Knobbe, Martens, Olson & Bear

- [56] **References Cited**
U.S. PATENT DOCUMENTS
- | | | | |
|------------|---------|----------------------|-----------|
| D. 237,550 | 11/1975 | Bobov et al. | D14/218 X |
| D. 285,431 | 9/1986 | Hicks | D14/218 X |
| 2,920,604 | 1/1960 | McDonald, Jr. . | |
| 3,017,849 | 1/1962 | Grossenheider . | |
| 3,028,832 | 4/1962 | Lazzery . | |
| 3,294,901 | 12/1966 | Stanghi . | |
| 3,325,593 | 6/1967 | Platt et al. . | |
| 3,440,427 | 4/1969 | Kammer . | |
| 3,504,334 | 3/1970 | Turnage, Jr. . | |
| 3,866,177 | 2/1975 | Kawamata et al. . | |
| 3,894,229 | 7/1975 | Mouri . | |
| 3,928,760 | 12/1975 | Isoda . | |
| 4,036,762 | 7/1977 | Troetscher et al. . | |
| 4,045,777 | 8/1977 | Mierzwinski et al. . | |
| 4,091,272 | 5/1978 | Richter et al. . | |
| 4,111,421 | 9/1978 | Mierzwinski . | |
| 4,151,407 | 4/1979 | McBride et al. . | |
| 4,156,134 | 5/1979 | Minner . | |

[57] **CLAIM**
 The ornamental design of a remote controller, as shown and described.

DESCRIPTION
 FIG. 1 is a perspective view of a remote controller showing my new design;
 FIG. 2 is a rear elevational view thereof;
 FIG. 3 is a right side elevational view thereof;
 FIG. 4 is a front elevational view thereof;
 FIG. 5 is a left side elevational view thereof;
 FIG. 6 is a top plan view thereof;
 FIG. 7 is a bottom plan view thereof;
 FIG. 8 is a perspective view of an alternate embodiment of FIG. 1;
 FIG. 9 is a rear elevational view of FIG. 8;
 FIG. 10 is a right side elevational view of FIG. 8;
 FIG. 11 is a front elevational view of FIG. 8;
 FIG. 12 is a left side elevational view of FIG. 8;
 FIG. 13 is a top plan view of FIG. 8; and
 FIG. 14 is a bottom plan view of FIG. 8.



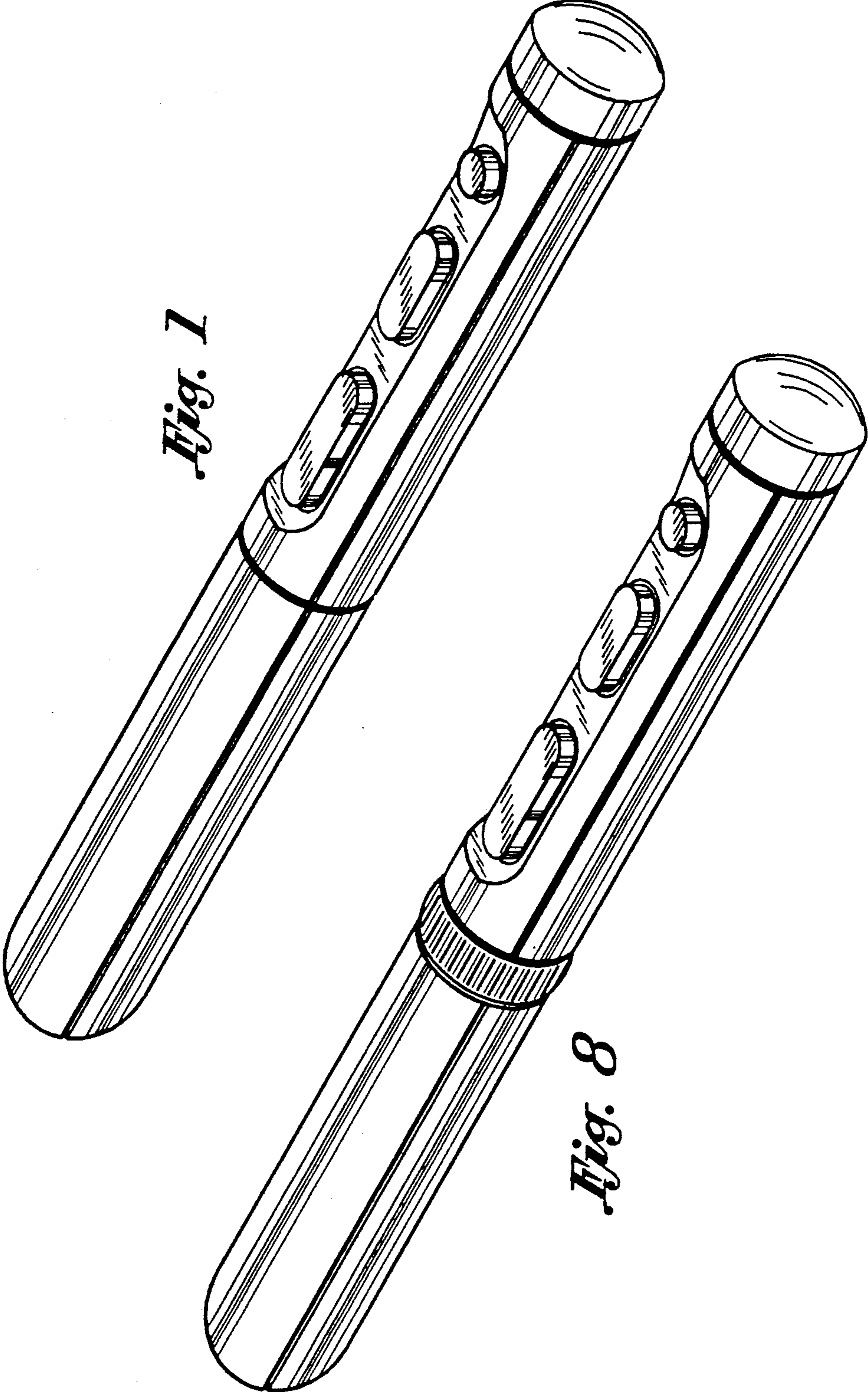



Fig. 1

Fig. 8

Fig. 6 

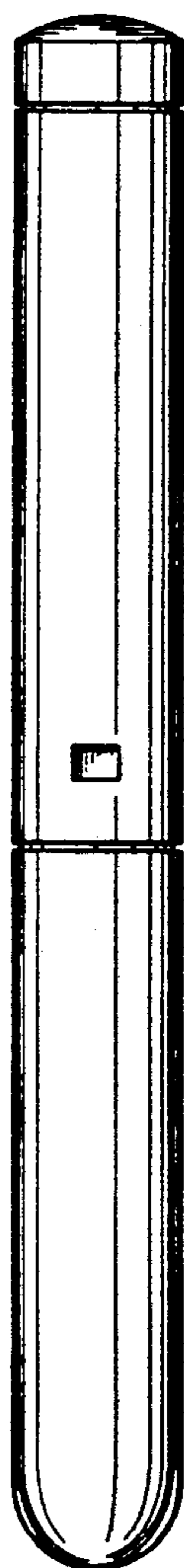


Fig. 2



Fig. 3



Fig. 4



Fig. 5

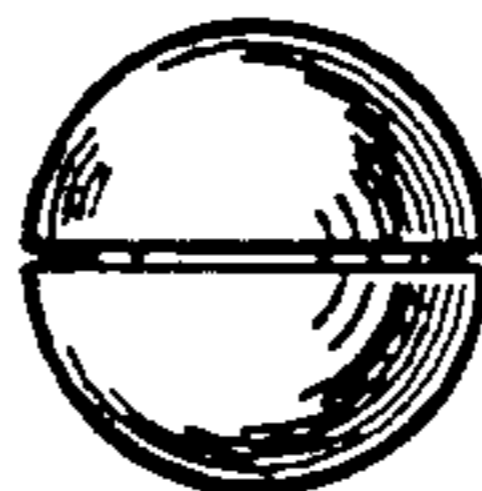
Fig. 7 

Fig. 13 

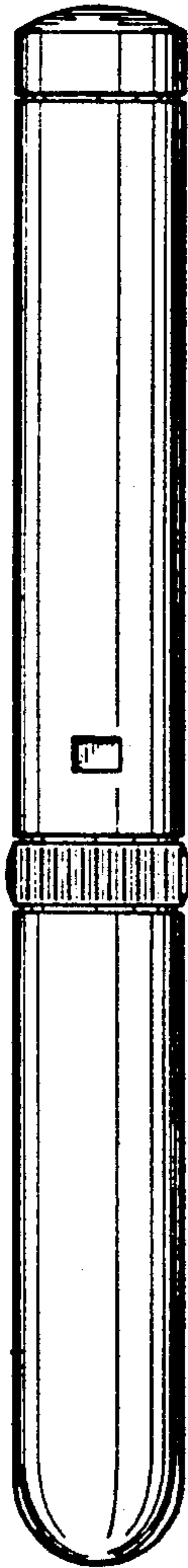


Fig. 9

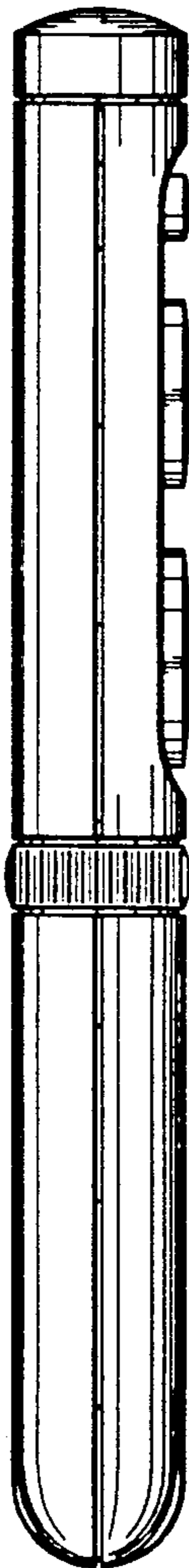


Fig. 10



Fig. 11



Fig. 12

Fig. 14 