

[54] **COMPUTER CURSOR CONTROL**
[75] **Inventor: Charles L. Hayes, Carlsbad, Calif.**
[73] **Assignee: Hayes Technology, Vista, Calif.**
[**] **Term: 14 Years**
[21] **Appl. No.: 454,112**
[22] **Filed: Dec. 19, 1989**
[52] **U.S. Cl. D14/114**
[58] **Field of Search D14/100, 101, 105, 106,
D14/107, 113, 115; D21/48; D13/162; 178/18,
19; 340/700, 707, 709, 710; 200/5 A, 5 R, 6 A,
6 R; 341/22, 23; 273/148 B**

D. 302,010 7/1989 McLaughlin et al. D14/114
D. 303,662 9/1989 Hsiao et al. D14/114
D. 309,449 7/1990 MacDonald et al. D14/114

Primary Examiner—Wallace R. Burke
Assistant Examiner—Freda S. Nunn
Attorney, Agent, or Firm—Price, Gess & Ubell

[57] **CLAIM**

The ornamental design for the computer cursor control, as shown and described.

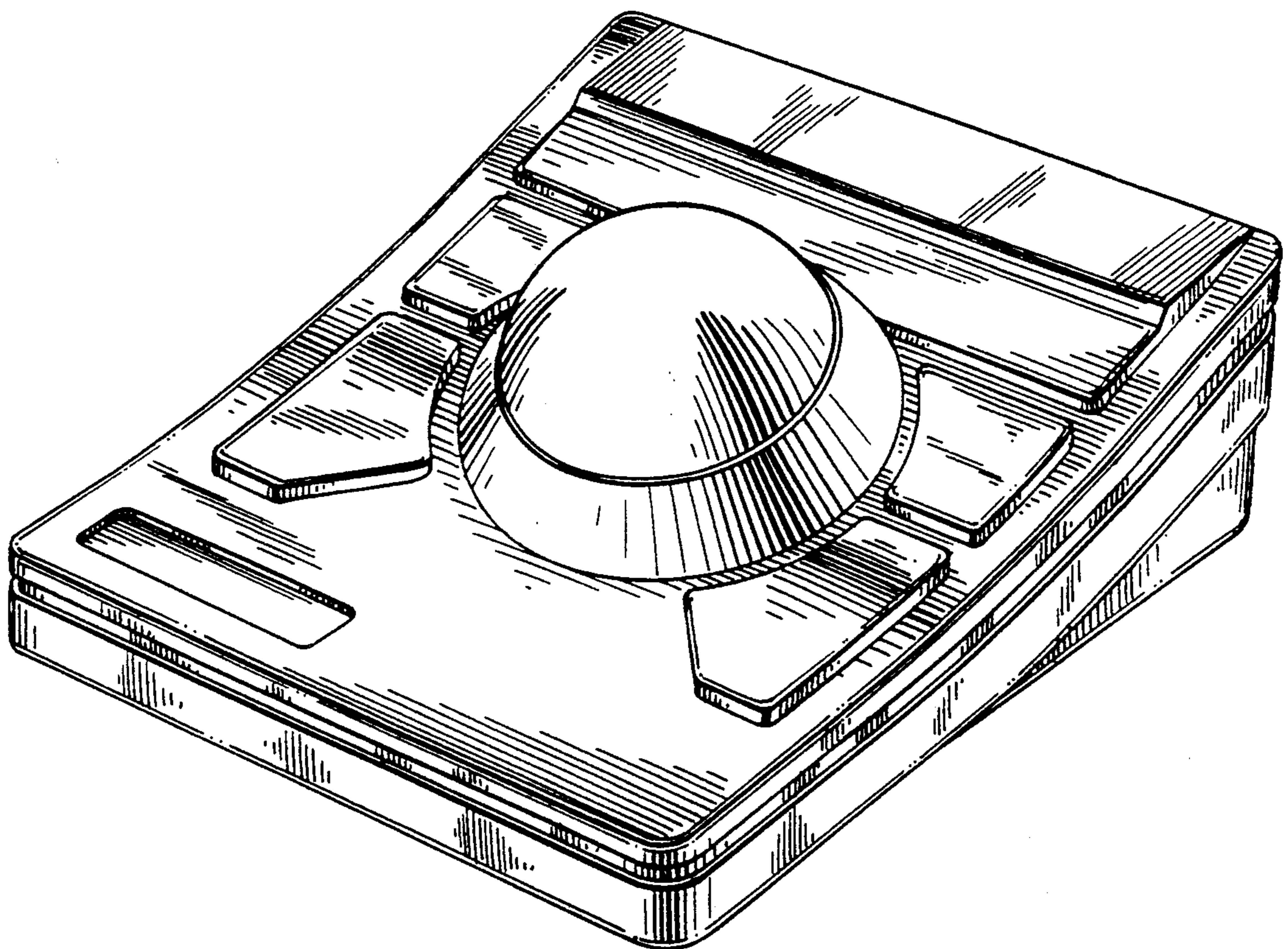
DESCRIPTION

FIG. 1 is a perspective view of the computer cursor control showing our new design; FIG. 2 is a left side elevational view thereof; FIG. 3 is a right side elevational view thereof; FIG. 4 is a top plan view thereof; FIG. 5 is a bottom plan view thereof; FIG. 6 is a front elevational view thereof; and FIG. 7 is a rear elevational view thereof. FIGS. 2-7 are shown on a slightly reduced scale.

[56] **References Cited**

U.S. PATENT DOCUMENTS

D. 292,600 11/1987 Wagner D21/48
D. 301,234 5/1989 Boyer et al. D14/114
D. 301,256 5/1989 Iwata D21/48



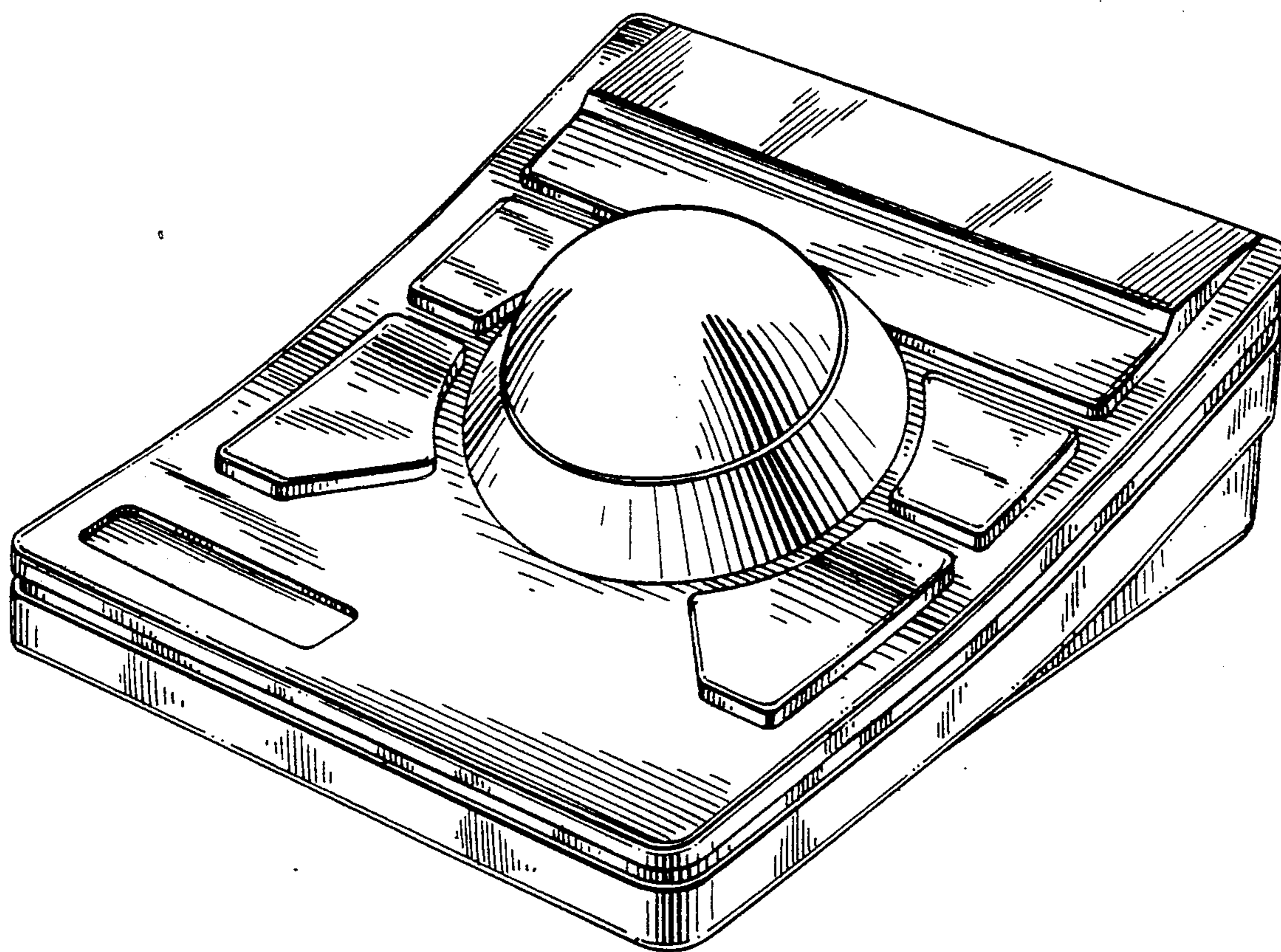


FIG. 1

FIG. 2

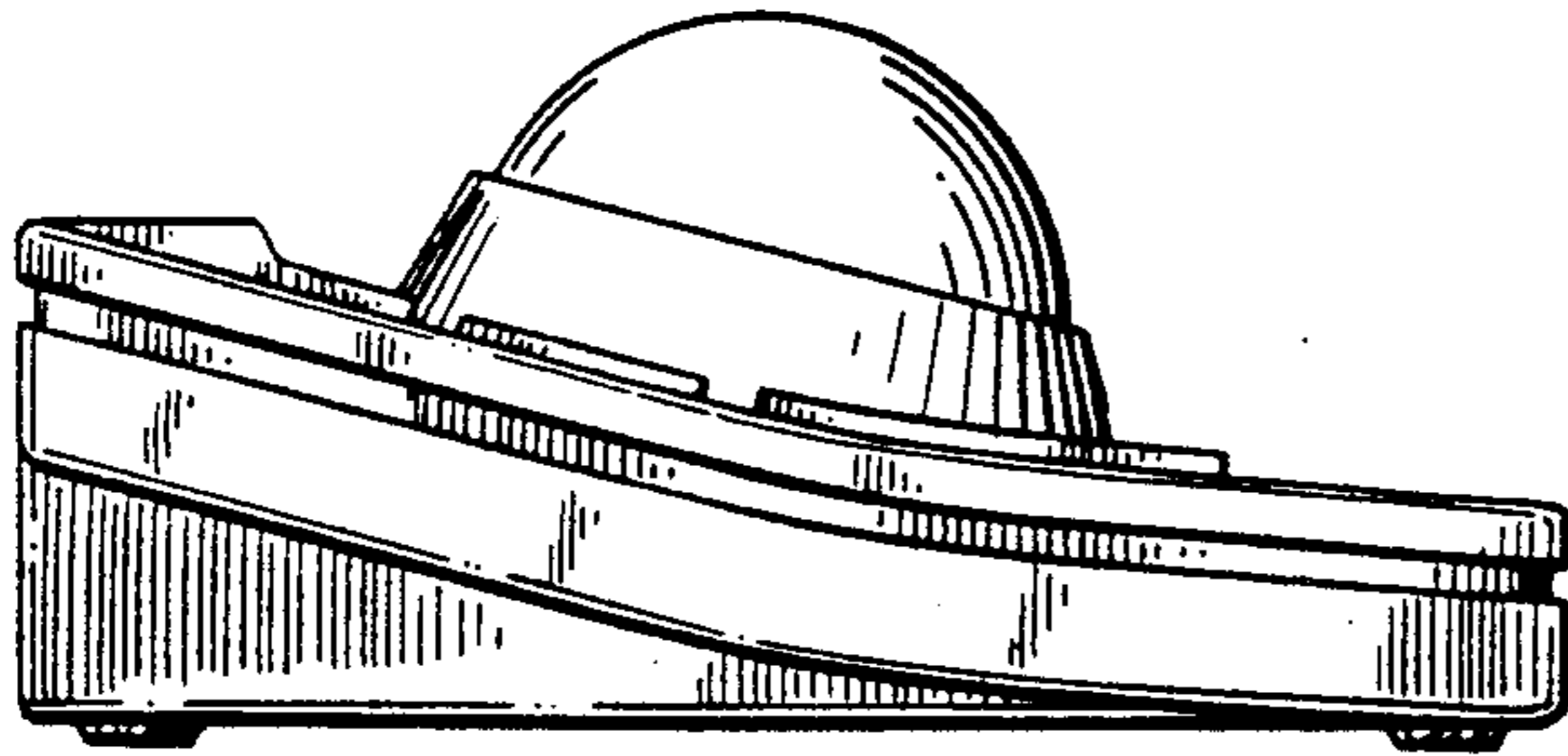


FIG. 3

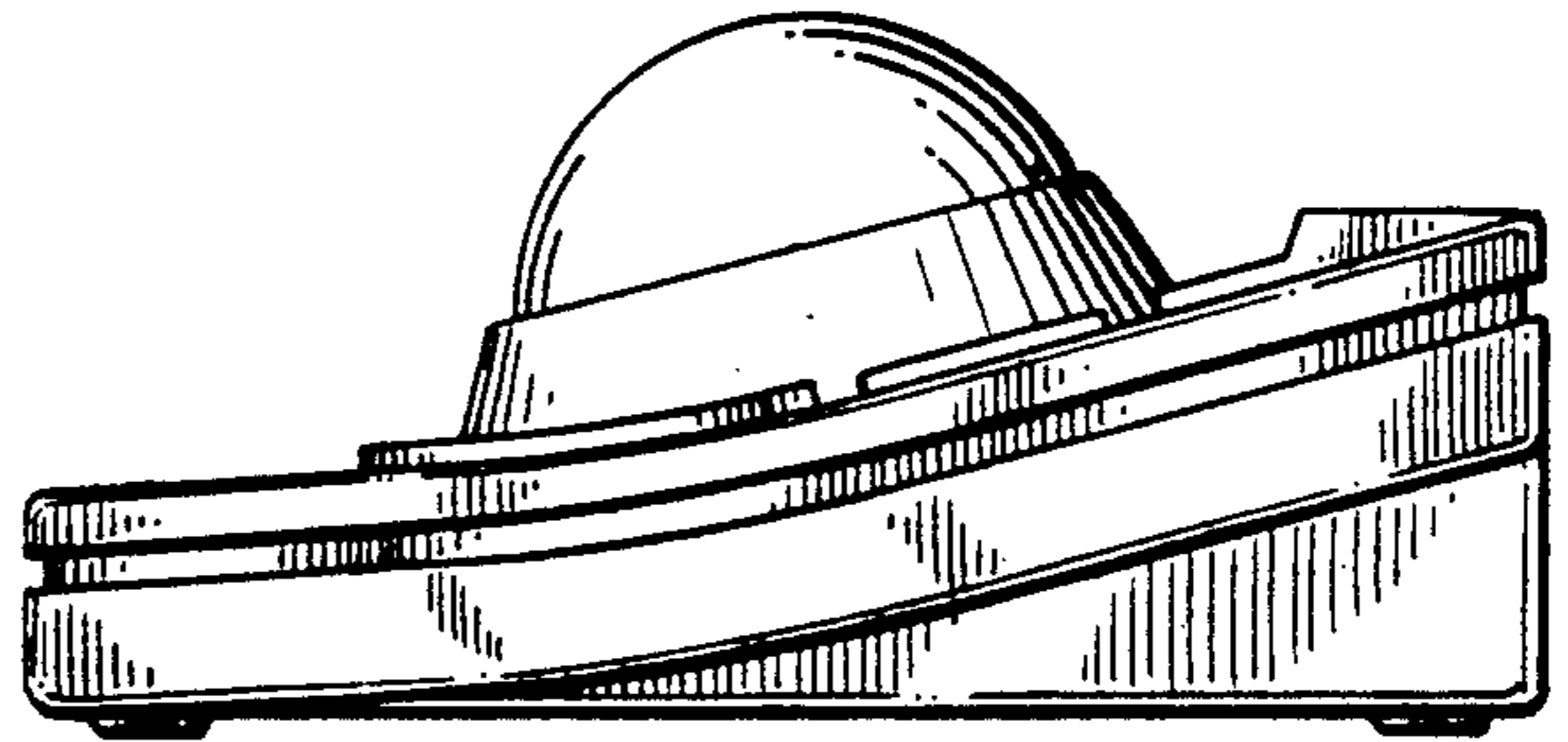


FIG. 4

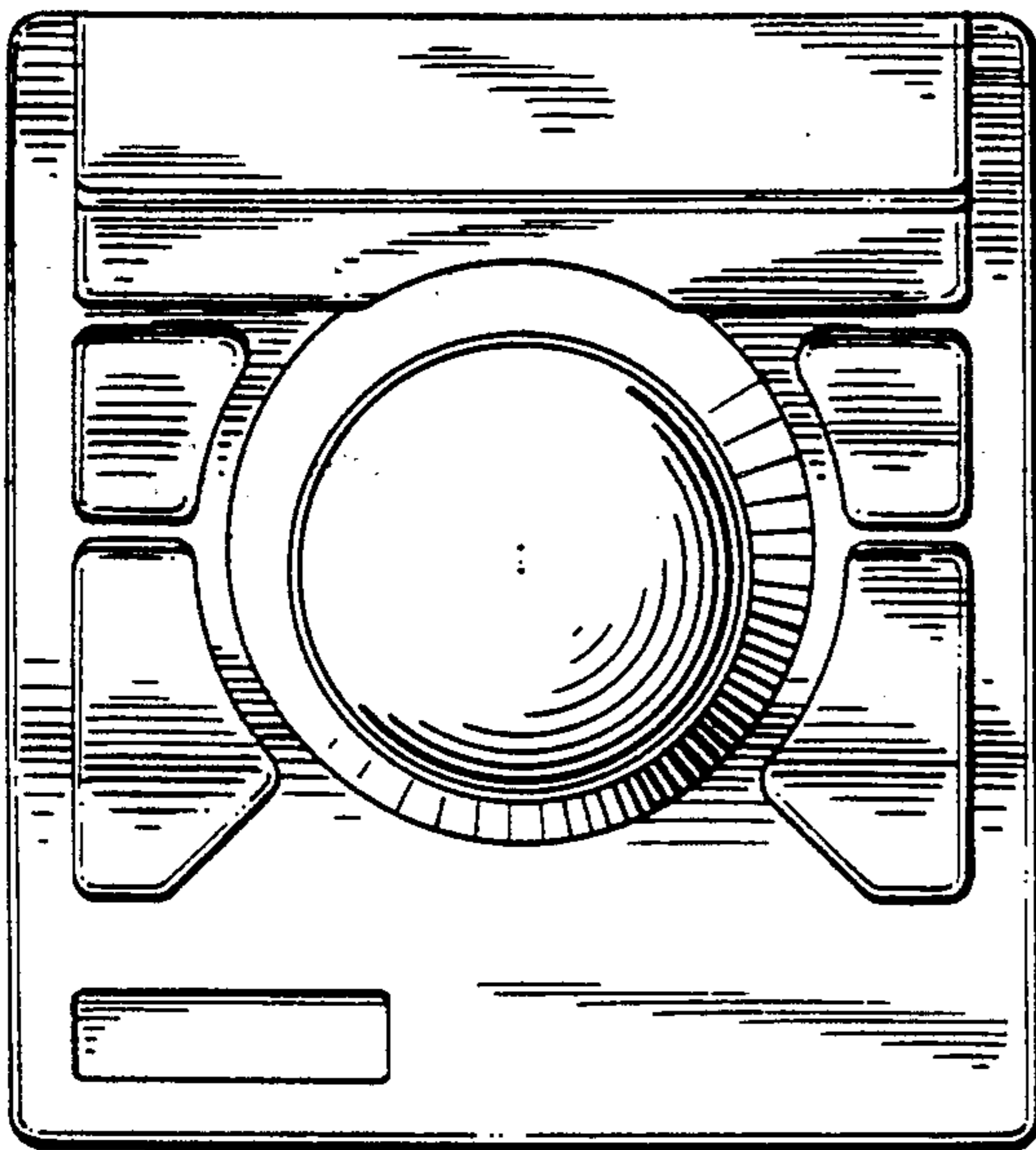


FIG. 5

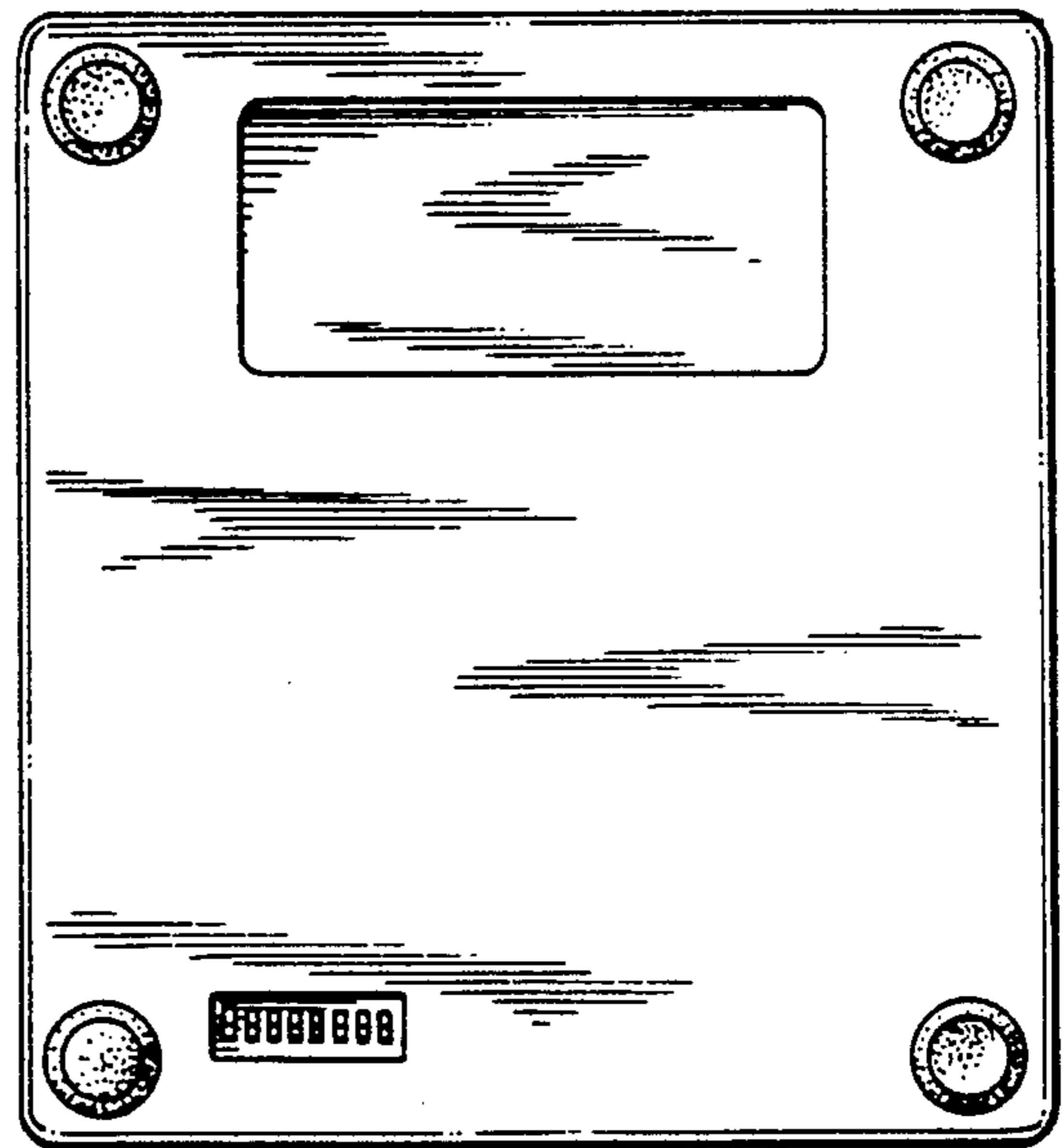


FIG. 6

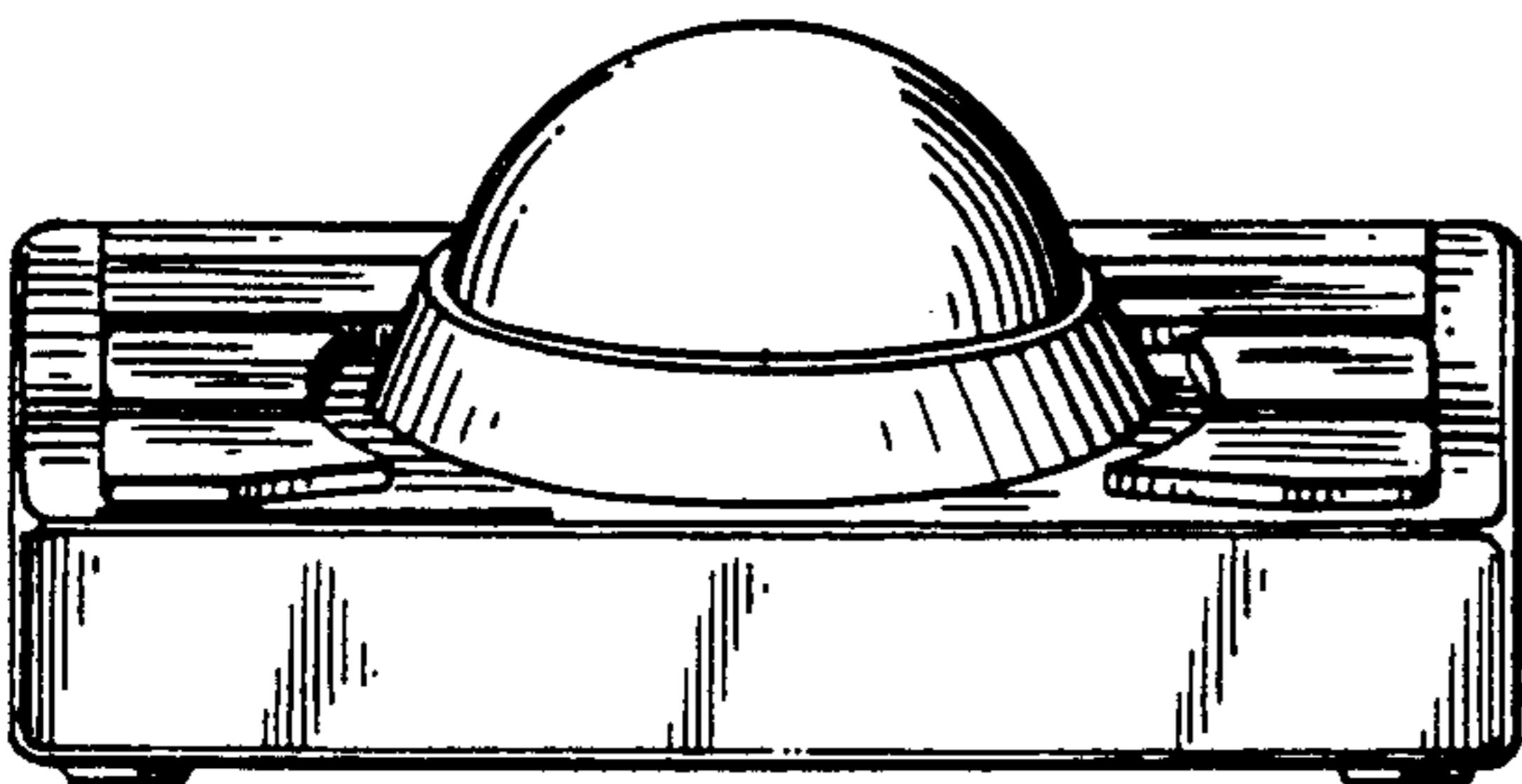


FIG. 7

