

[54] ELECTROLUMINESCENT DISPLAY

4,051,468	9/1977	Rajchman	340/700 X
4,360,837	11/1982	Kreidler et al.	358/248 X
4,360,838	11/1982	Babicz et al.	358/248
4,531,122	7/1985	Redfield	313/422 X
4,812,830	3/1989	Doering	340/712

[75] Inventors: Hisashi Uede; Hiroshi Kishishita; Akio Inohara; Kyouichi Yamamoto; Ikuo Ogawa, all of Osaka, Japan

[73] Assignee: Sharp Corporation, Osaka, Japan

[\*\*] Term: 14 Years

[21] Appl. No.: 316,982

[22] Filed: Feb. 28, 1989

[30] Foreign Application Priority Data

Sep. 22, 1988 [JP] Japan ..... 63-37284

[52] U.S. Cl. .... D14/113

[58] Field of Search ..... D14/100, 101, 106, 113, D14/114, 115; D18/1, 7, 11, 12, 4; 340/700, 706, 711, 712; 341/22, 23, 26; 315/85, 366; 358/248, 249, 252-255, 64; 364/706-710.14; 312/208; 313/422

[56] References Cited

U.S. PATENT DOCUMENTS

D. 289,873	5/1987	Gemmell et al.	D14/113
D. 314,564	2/1991	Grundstrom et al.	D14/113
3,226,596	12/1965	Kasperowicz	315/366

OTHER PUBLICATIONS

Computer Design, Feb. 1, 1988, p. 67, Electroluminescent Display.

Primary Examiner—Wallace R. Burke

Assistant Examiner—Freda S. Nunn

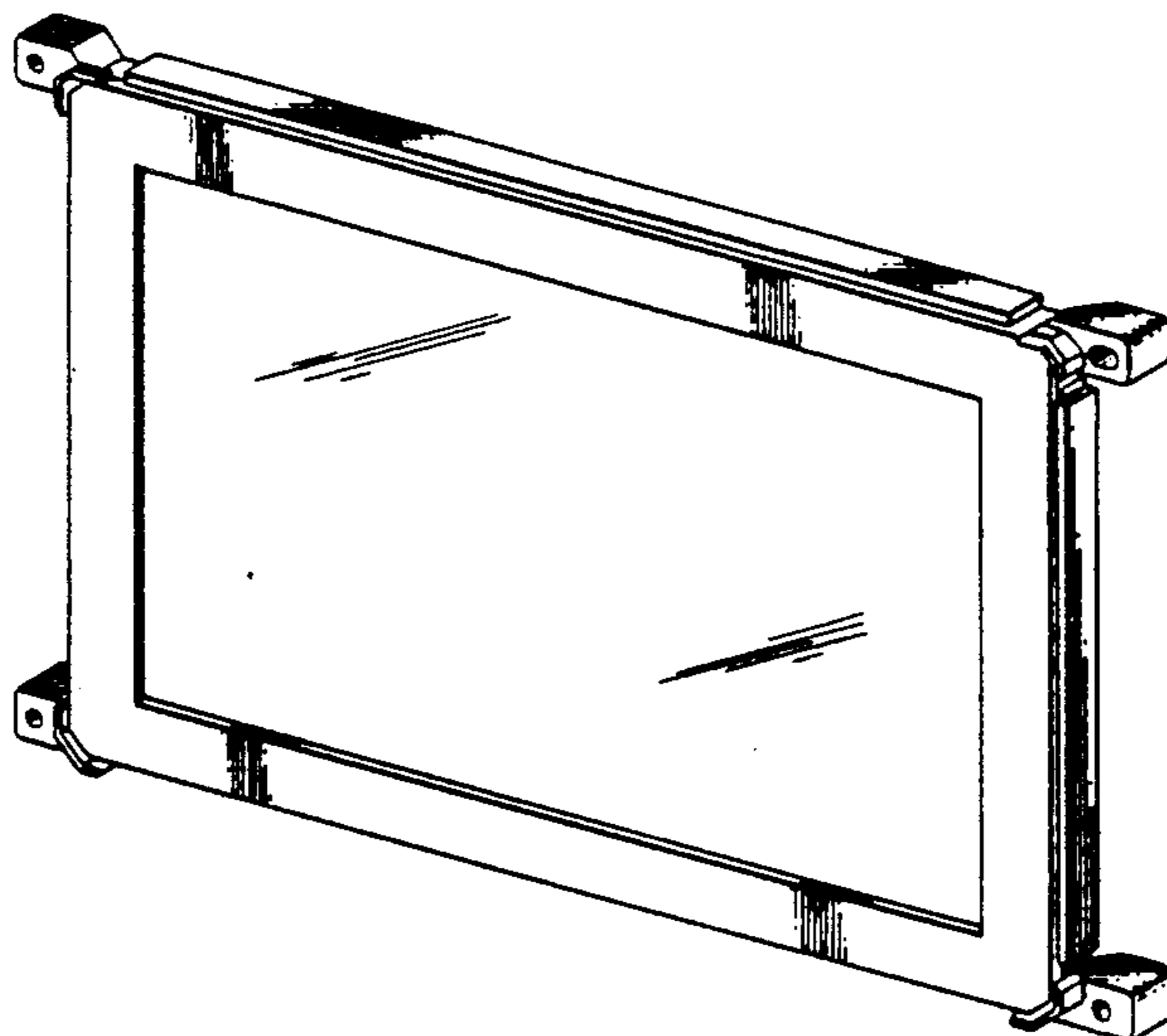
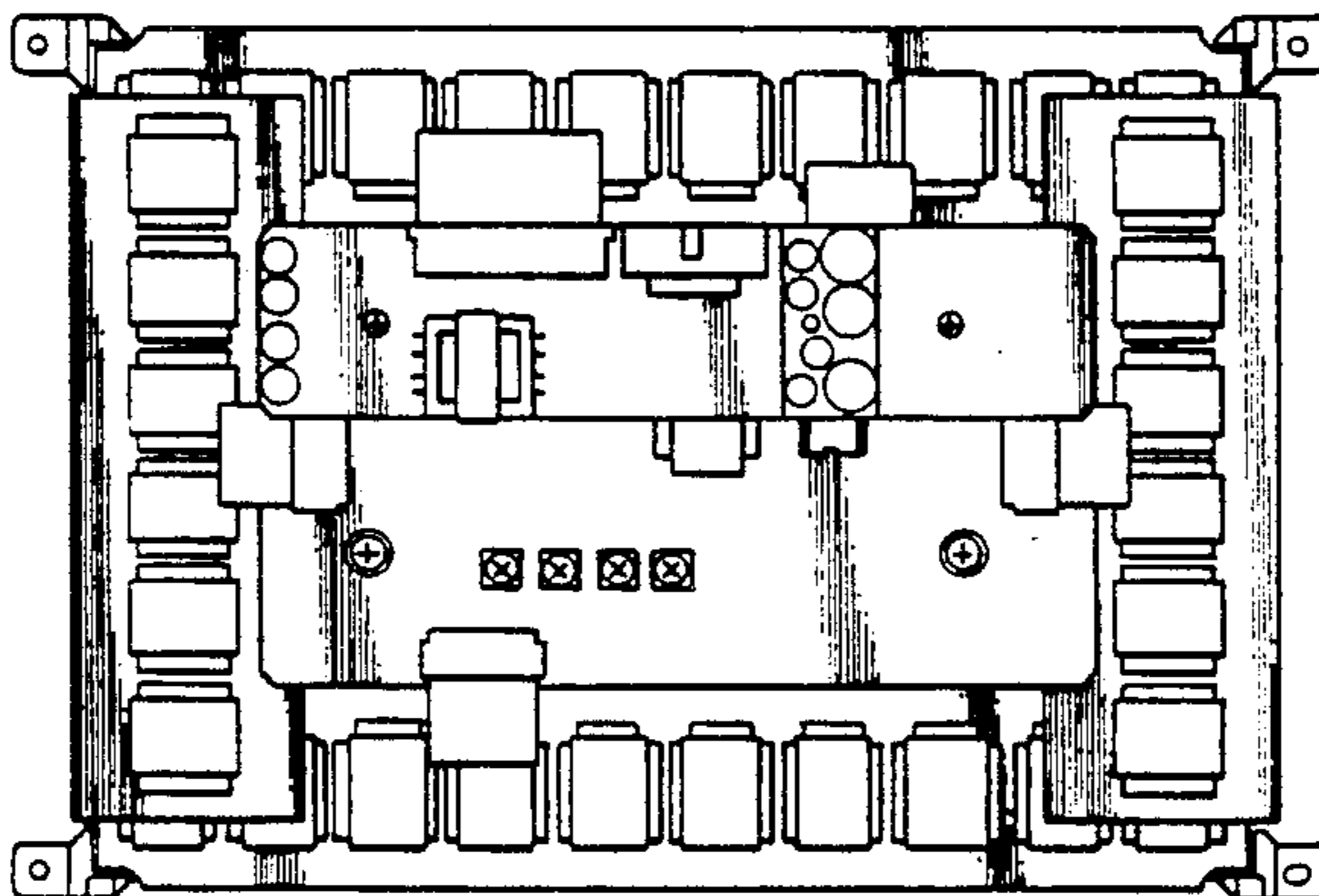
Attorney, Agent, or Firm—Flehr, Hohbach, Test, Albritton & Herbert

[57] CLAIM

The ornamental design for an electroluminescent display, as shown.

DESCRIPTION

FIG. 1 is a front elevational view of an electroluminescent display showing our new design; FIG. 2 is a rear elevational view thereof; FIG. 3 is a top plan view thereof; FIG. 4 is a bottom plan view thereof; FIG. 5 is a right side elevational view thereof; FIG. 6 is a left side elevational view thereof; and FIG. 7 is a top, front, side perspective view thereof.



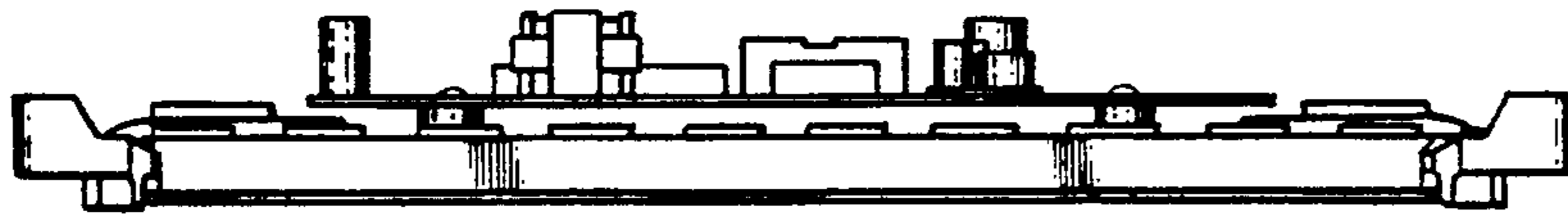


FIG. 3

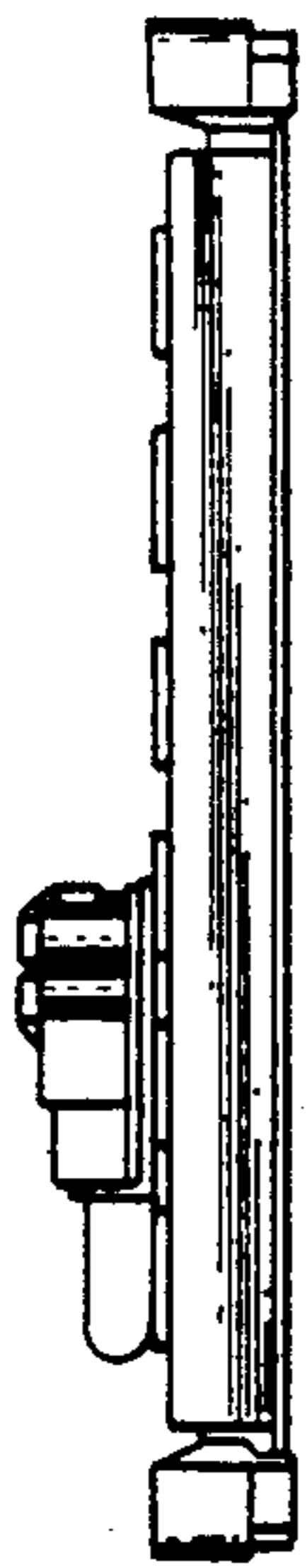


FIG. 6

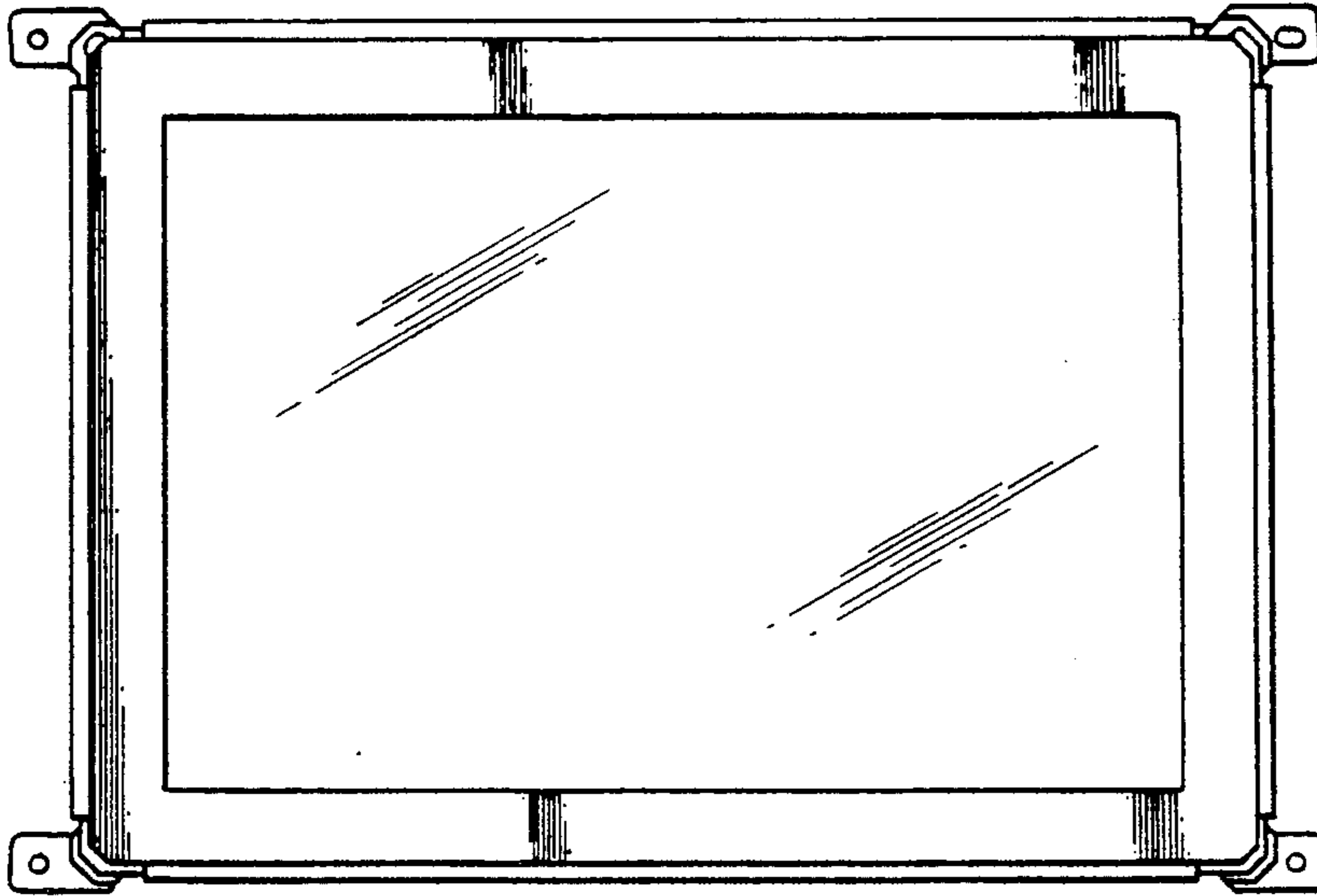


FIG. 1

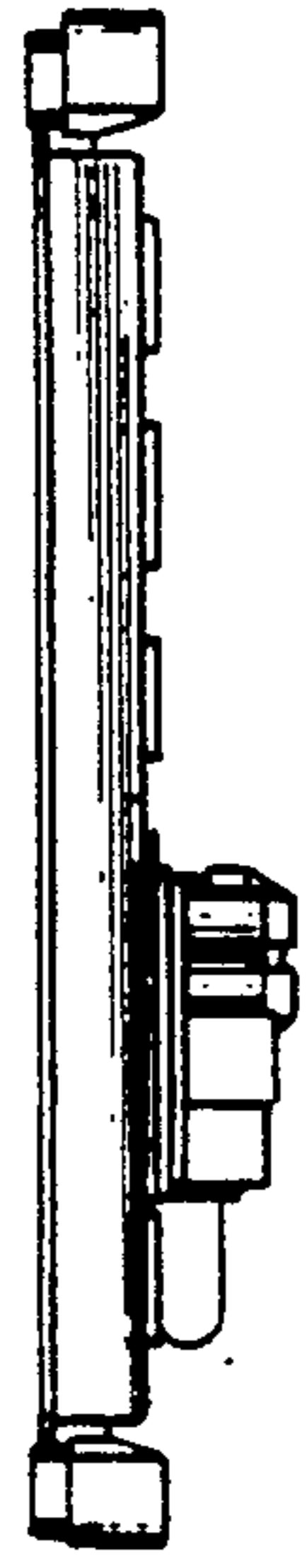


FIG. 5

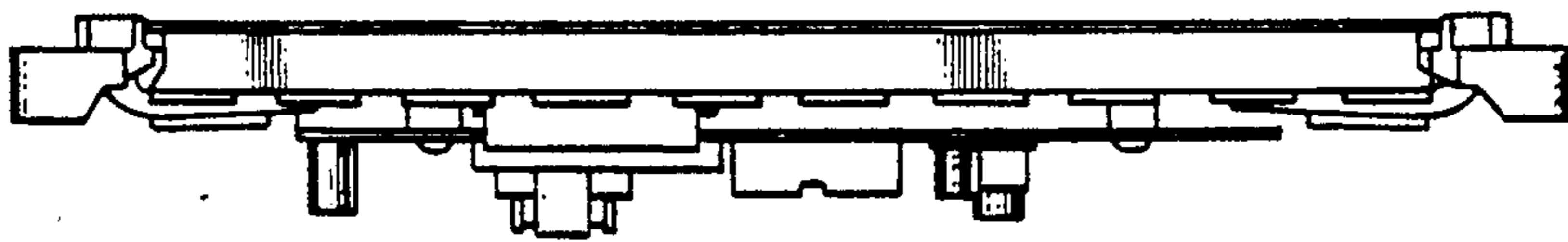


FIG. 4

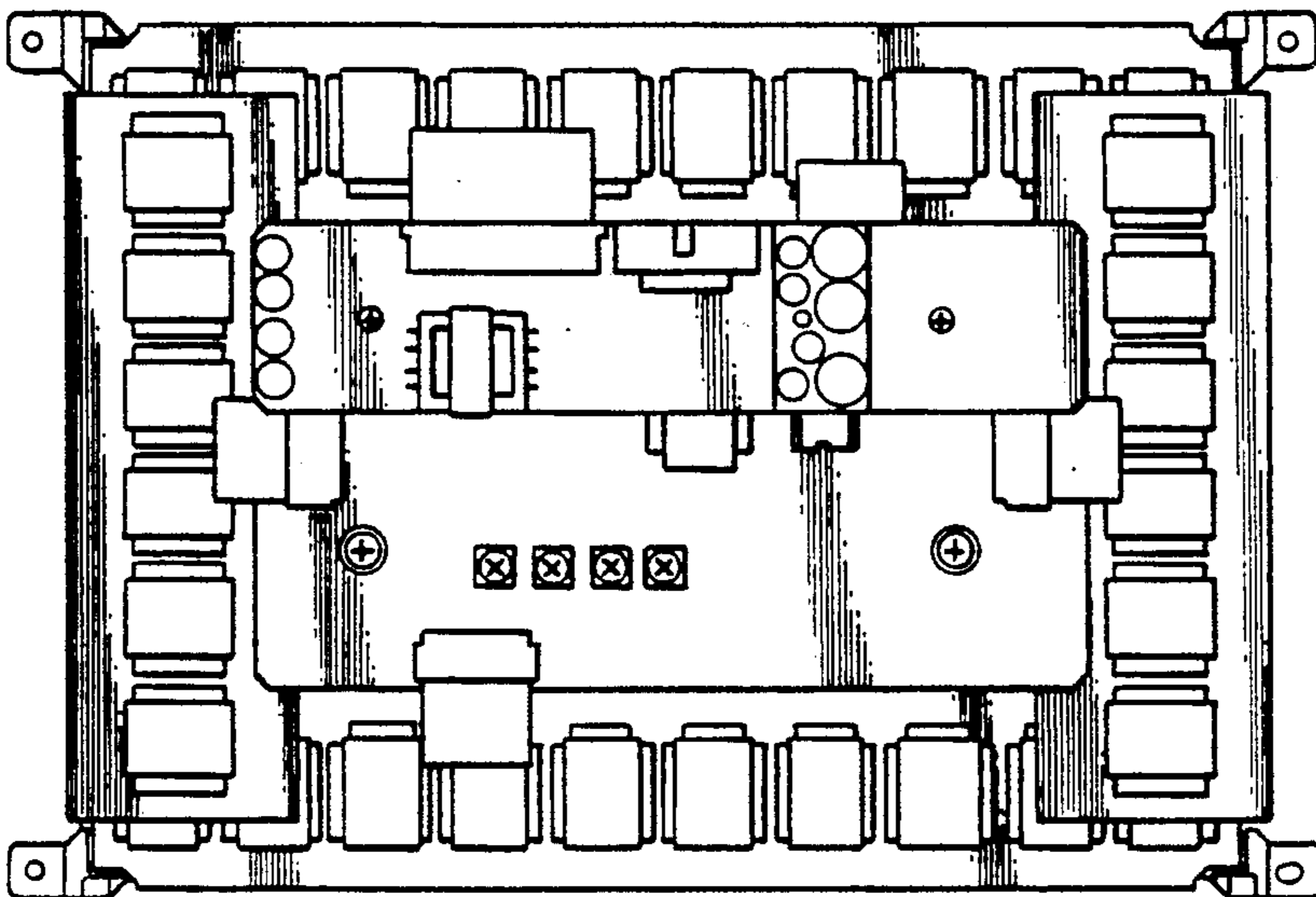


FIG. 2

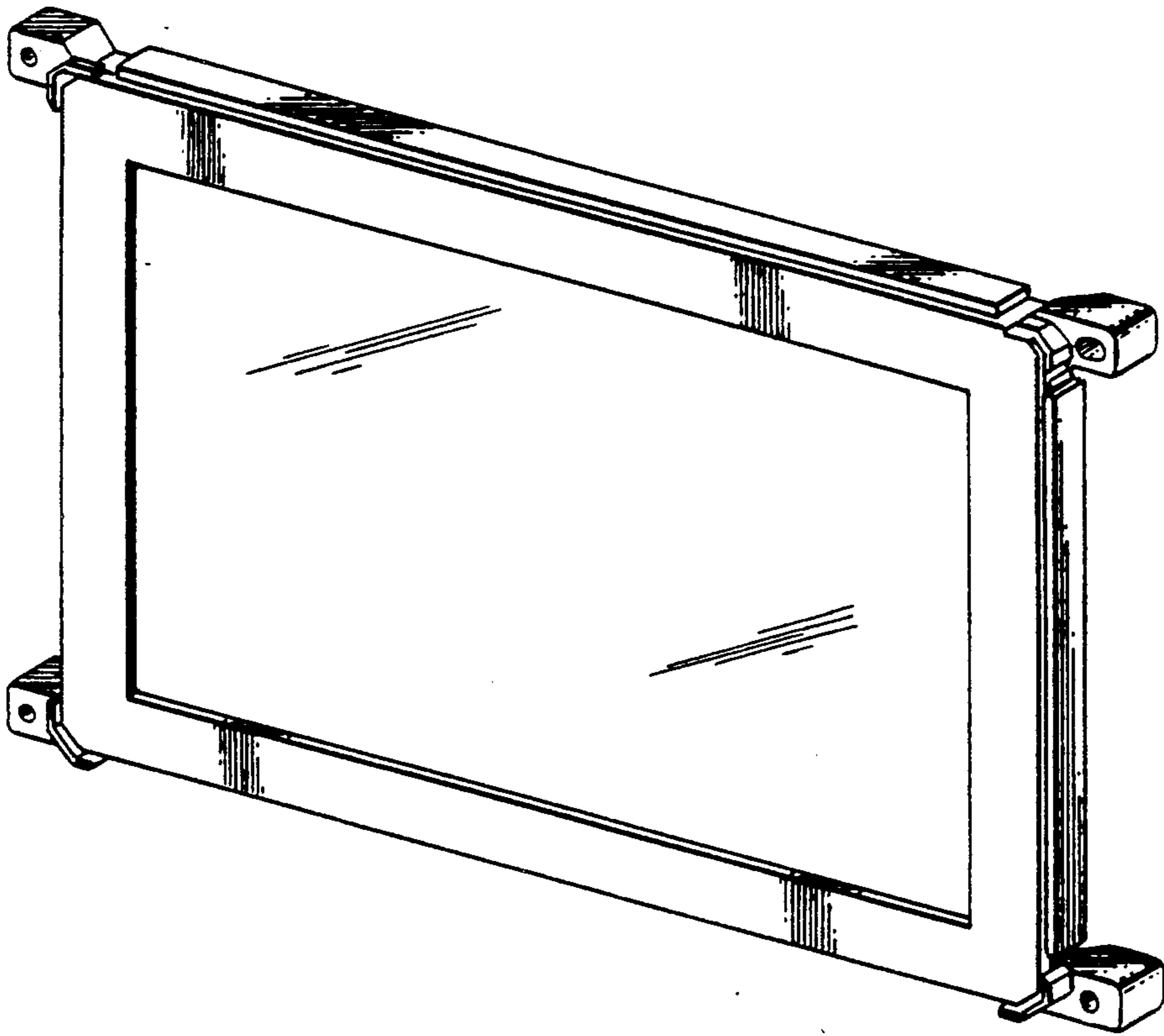


FIG. 7