

[54] **GUIDING TROUGH FOR OPTICAL FIBERS**

[76] **Inventor: Roy Henneberger, 1596 Clemson Dr., Eagan, Minn. 55122**

[**] **Term: 14 Years**

[21] **Appl. No.: 387,645**

[22] **Filed: Jul. 31, 1989**

[52] **U.S. Cl. D13/155**

[58] **Field of Search D13/152, 155; D23/267, D23/200, 393; D30/131; 248/49, 58, 68.1; D34/28; 174/21 JS, 35 C, 48, 68.1, 68.3, 69, 72 A, 84 R, 101; 138/155, 156, 157, 177, DIG. 11; 350/96.16, 96.23, 96.3**

[56] **References Cited**

U.S. PATENT DOCUMENTS

D. 213,956	4/1969	Jones, Jr. et al.	D30/131 X
D. 252,874	9/1979	Neff	D13/155
D. 289,633	5/1987	Bramwell	D13/155
3,401,721	9/1968	George	174/68.3 X
3,485,937	12/1969	Caveney	174/101
3,840,140	10/1974	Tisbo	174/72 A X
4,163,572	8/1979	Benscoter	174/48 X
4,349,220	9/1982	Carroll et al.	138/155 X

FOREIGN PATENT DOCUMENTS

0012268 6/1903 Austria 138/157
2365902 4/1978 France 174/101

OTHER PUBLICATIONS

Ditel UPL-1000/UPT-1000/Corner Cable Guides Brochure, ©1986.

Tyton, Product Data Bulletin, The Lightguide System. Panduit Corp., Product Bulletin E-FOA-1, Fiber Optic Cable Accessories.

Primary Examiner—Susan J. Lucas

Assistant Examiner—J. Sincavage

Attorney, Agent, or Firm—Merchant, Gould, Smith, Edell, Welter & Schmidt

[57] **CLAIM**

The ornamental design for a guiding trough for optical fibers, as shown and described.

DESCRIPTION

FIG. 1 is a left side, top and front perspective view of a guiding trough for optical fibers showing my new design;

FIG. 2 is a front elevational view thereof, the rear elevational view thereof being a mirror image;

FIG. 3 is a top plan view thereof;

FIG. 4 is a bottom plan view thereof;

FIG. 5 is a right side elevational view thereof, the left side elevational view thereof being a mirror image;

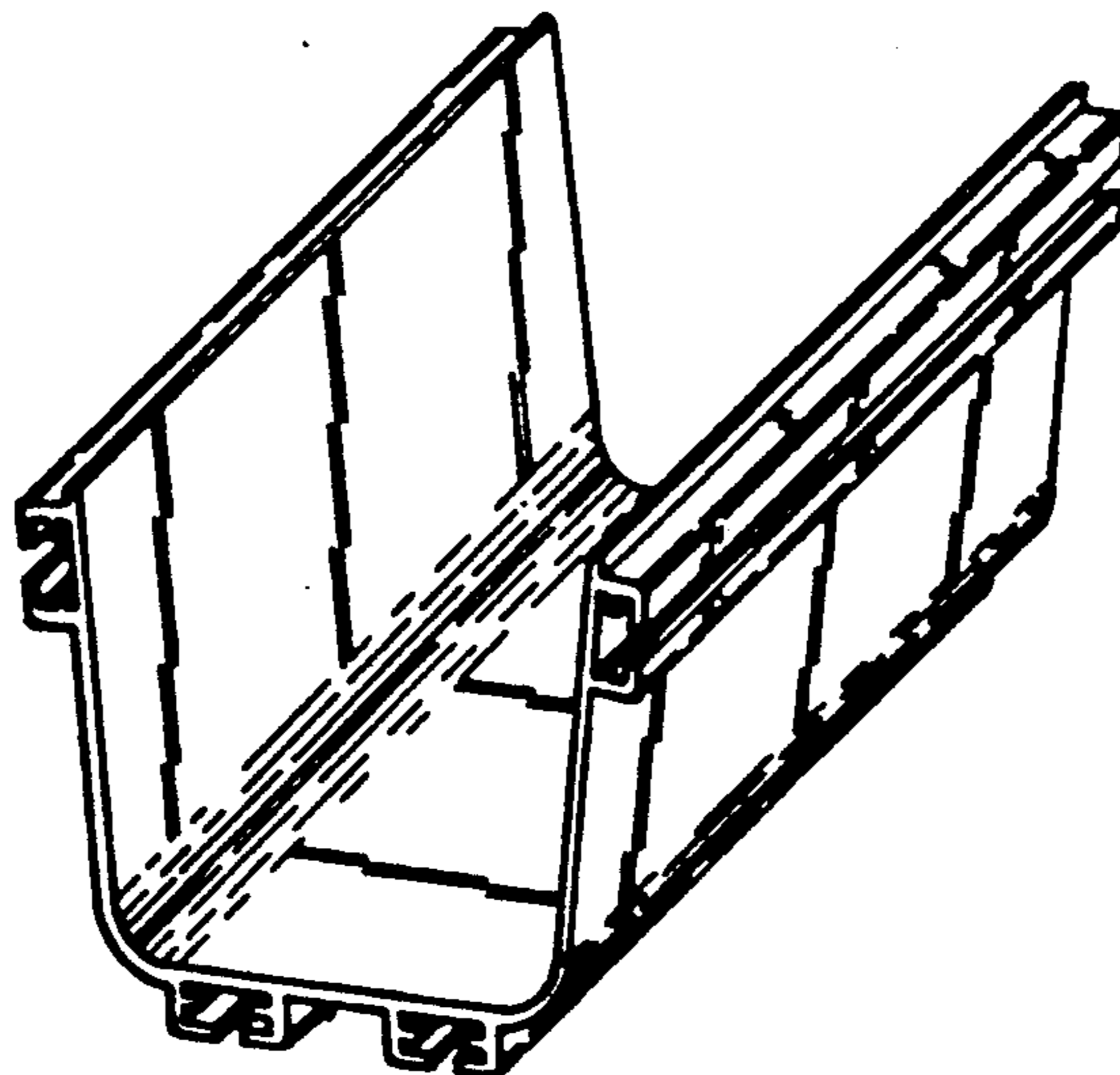


FIG.1

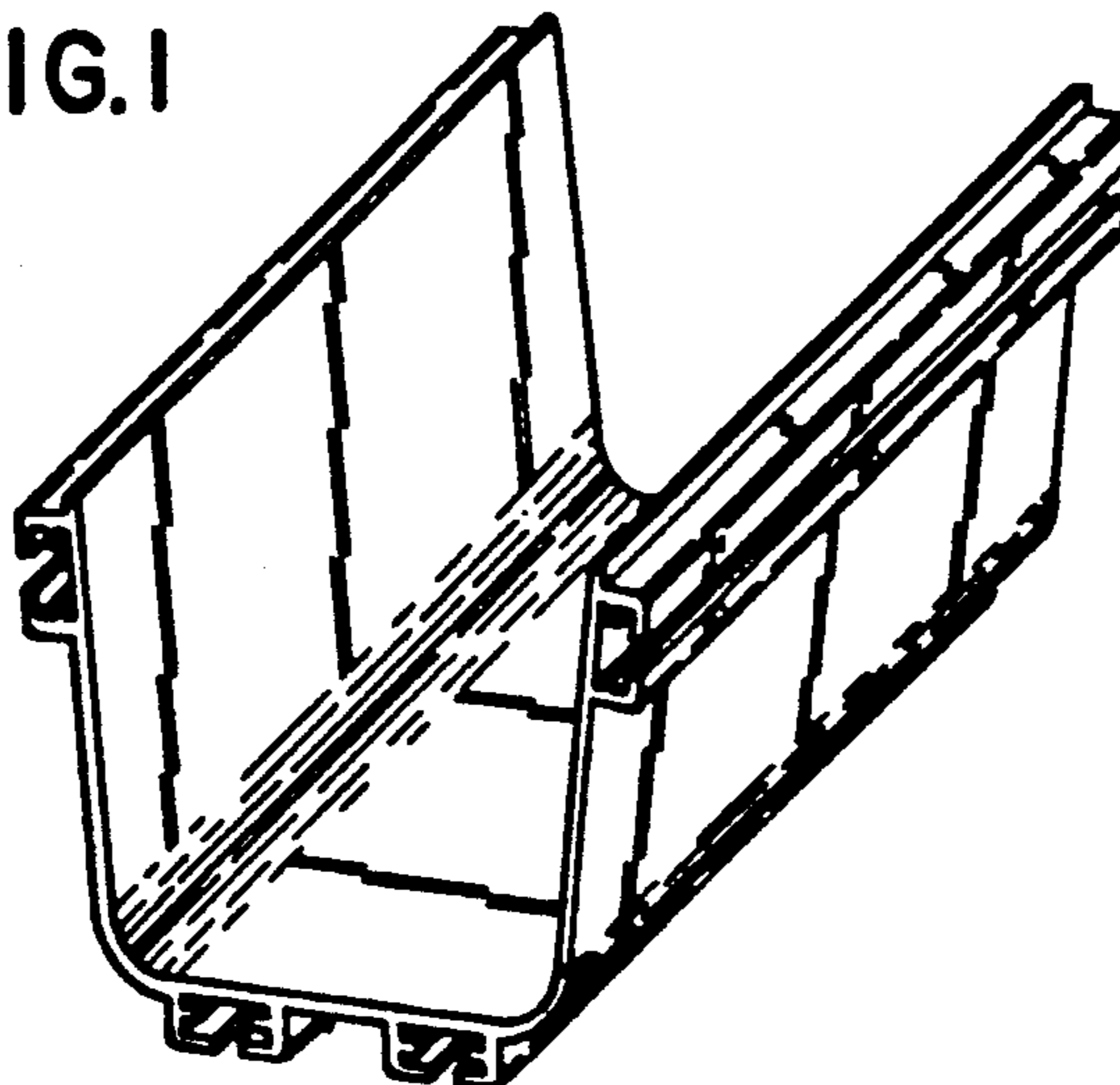


FIG.2

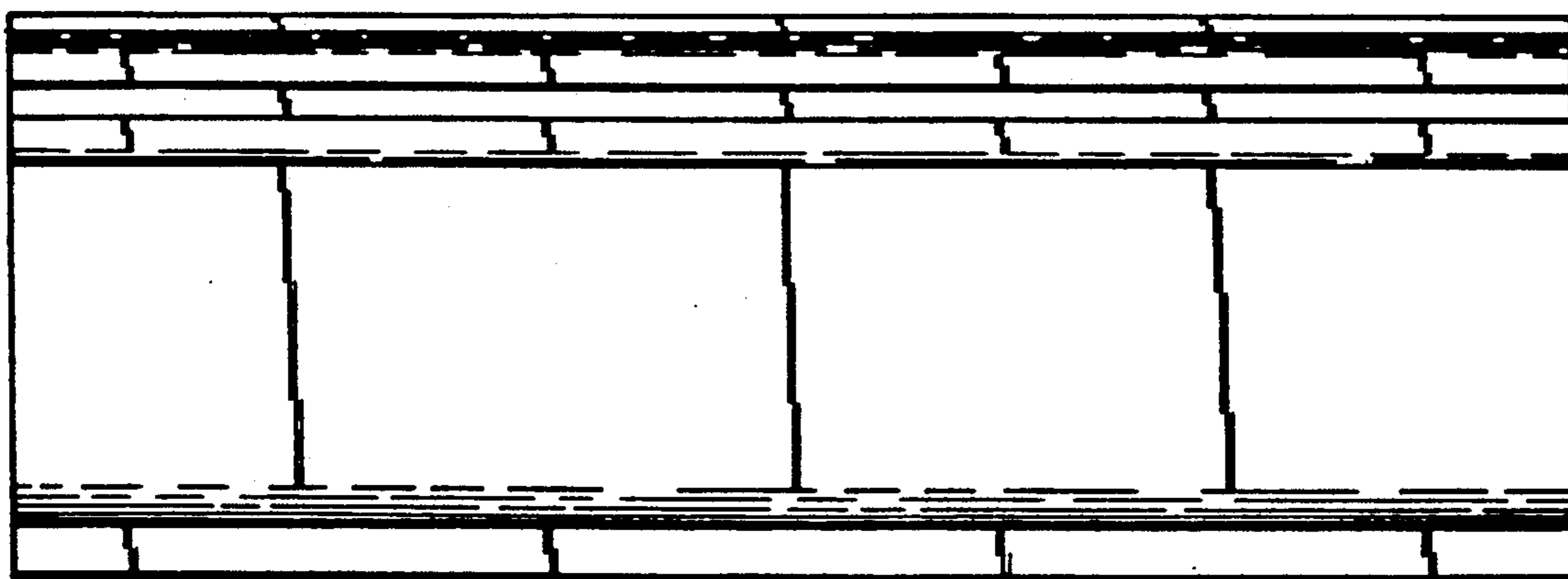


FIG.3

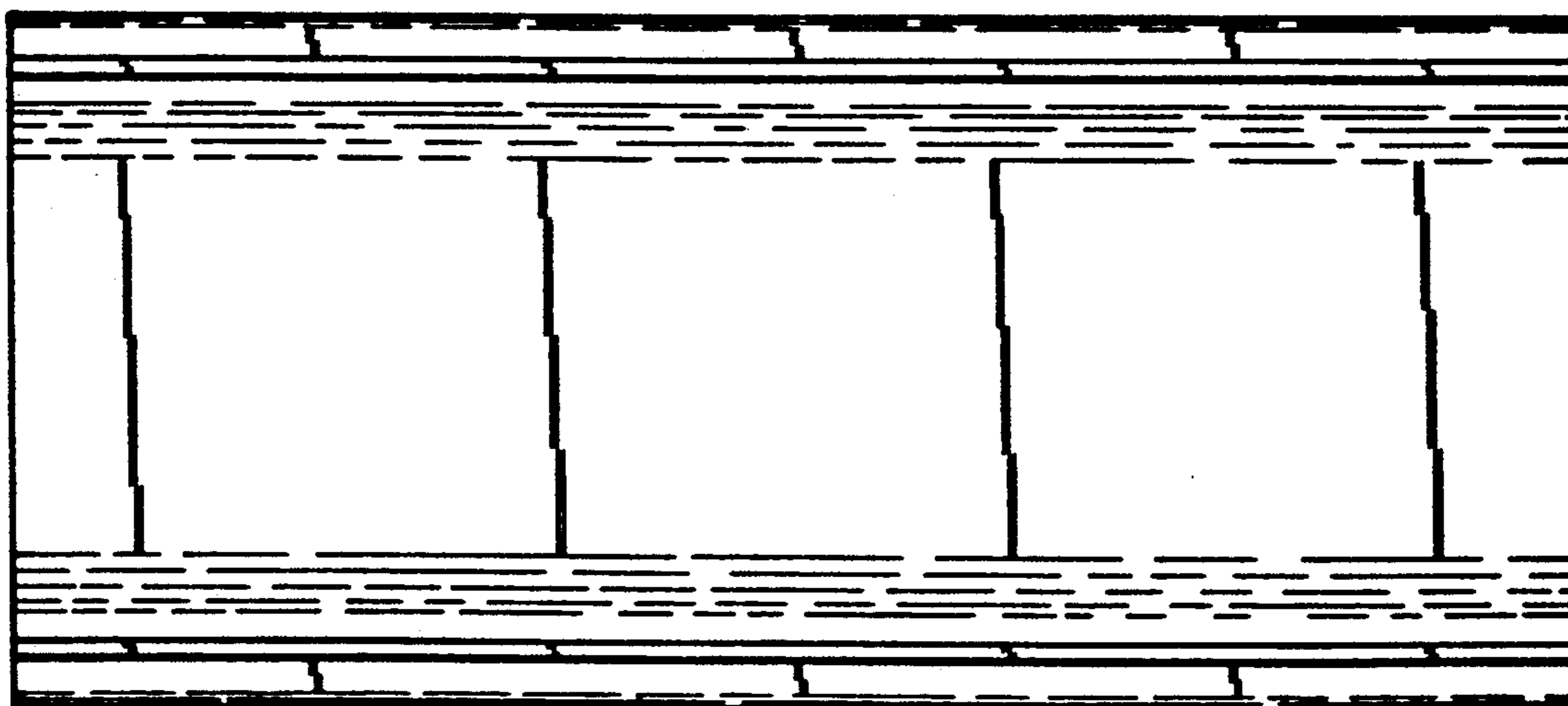


FIG.4

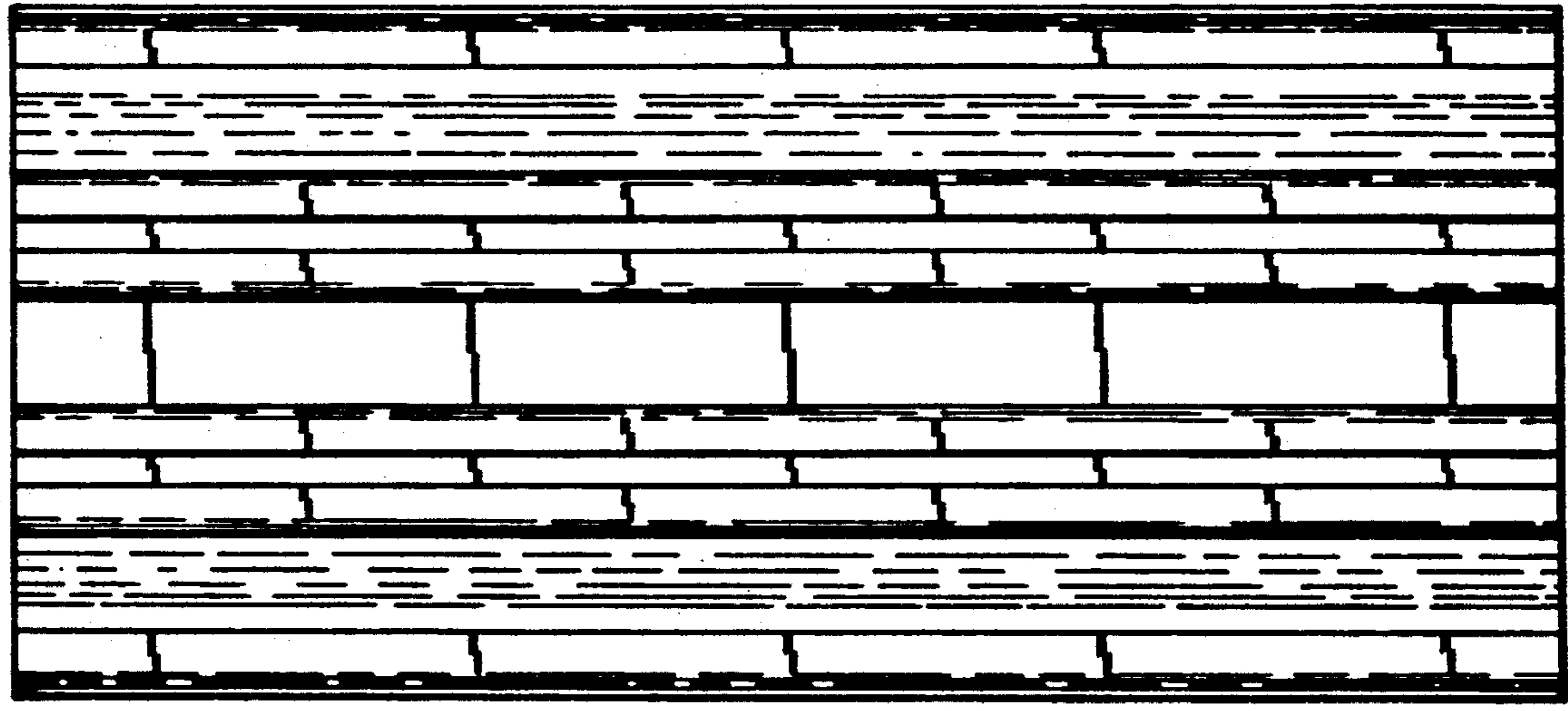


FIG.5

