

[54] ELECTRICAL CONNECTOR HOUSING

[75] Inventors: Kenji Takenouchi; Toshihiko Makita; Teruhisa Norizuki, all of Shizuoka, Japan

[73] Assignee: Yazaki Corporation, Tokyo, Japan

[*] Notice: The portion of the term of this patent subsequent to Mar. 26, 2005 has been disclaimed.

[**] Term: 14 Years

[21] Appl. No.: 263,126

[22] Filed: Oct. 26, 1988

[30] Foreign Application Priority Data

Apr. 28, 1988 [JP] Japan 63-17053

[52] U.S. Cl. D13/146

[58] Field of Search D13/133, 146, 147; 439/353, 344, 357, 544, 550, 571, 572, 586, 587, 595, 603, 660, 682, 685, 686, 687, 695, 696, 701

[56] References Cited

U.S. PATENT DOCUMENTS

D. 276,042	10/1984	Moriai et al.	D13/147
2,624,773	1/1953	Mears	439/685
3,179,738	4/1965	De Lyon	174/48 X
4,749,372	6/1988	Betsui	439/587
4,753,612	6/1988	Betsui	439/595 X

FOREIGN PATENT DOCUMENTS

695446 9/1986 Japan .

701723 12/1986 Japan .
701724 12/1986 Japan .
711116 5/1987 Japan .

Primary Examiner—Susan J. Lucas
Assistant Examiner—J. Sincavage
Attorney, Agent, or Firm—McGlew & Tuttle

[57] CLAIM

The ornamental design for an electrical connector housing, as shown and described.

DESCRIPTION

FIG. 1 is a top plan view of an electrical connector housing showing our new design; FIG. 2 is a front elevational view thereof; FIG. 3 is a bottom plan view thereof; FIG. 4 is a left side elevational view thereof; FIG. 5 is a right side elevational view thereof; FIG. 6 is a rear elevational view thereof; FIG. 7 is a perspective view thereof, looking from front side; FIG. 8 is a perspective view thereof, looking from rear side; FIG. 9 is a perspective view thereof, looking from the rear side, where the terminal holder is removed for the purpose of a complete disclosure; and FIG. 10 is a perspective view thereof, showing the housing aligned for coupling with corresponding connector housing. The broken line showing of the corresponding housing is included for the illustration of environmental elements only and forms no part of the claimed design.

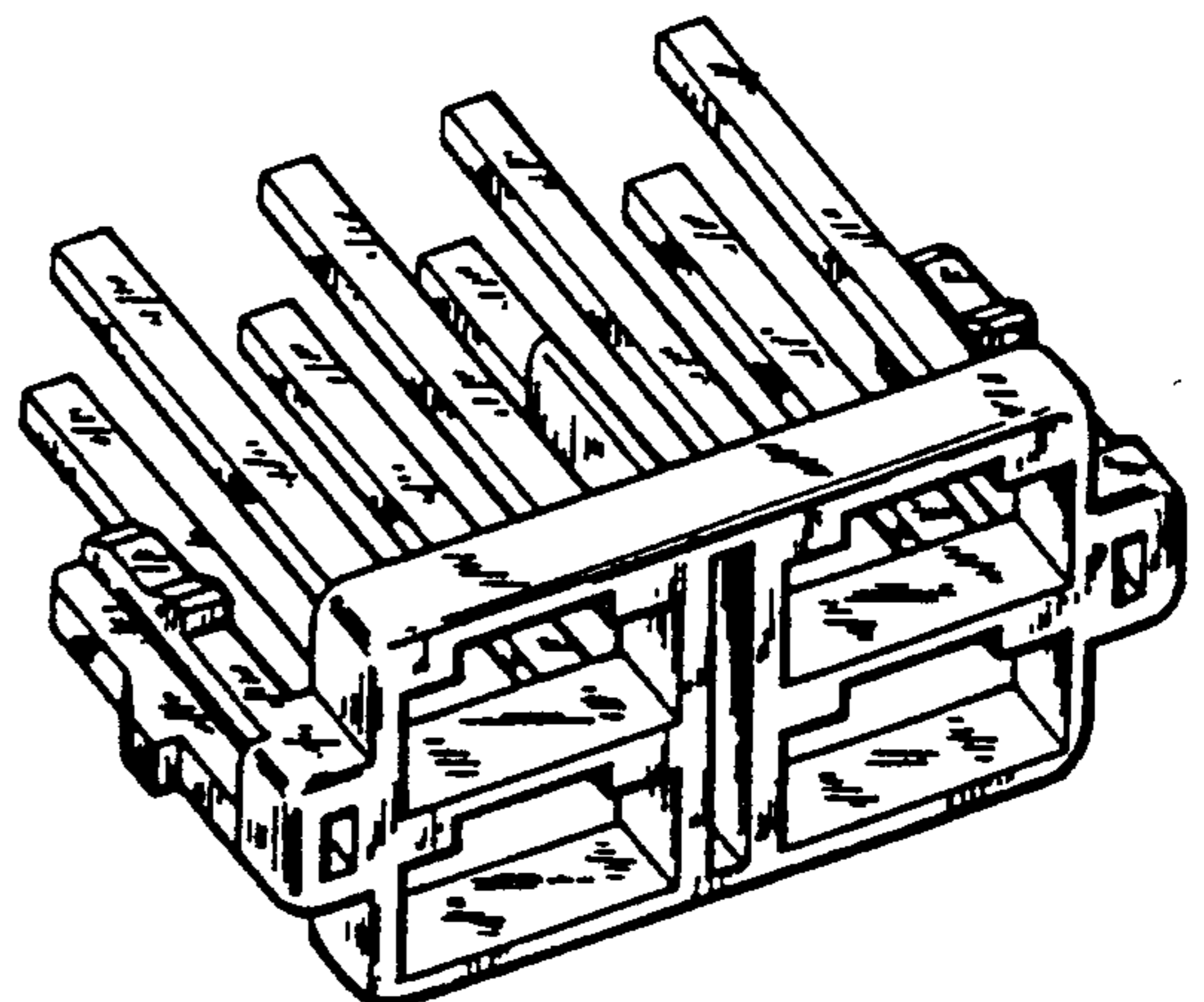
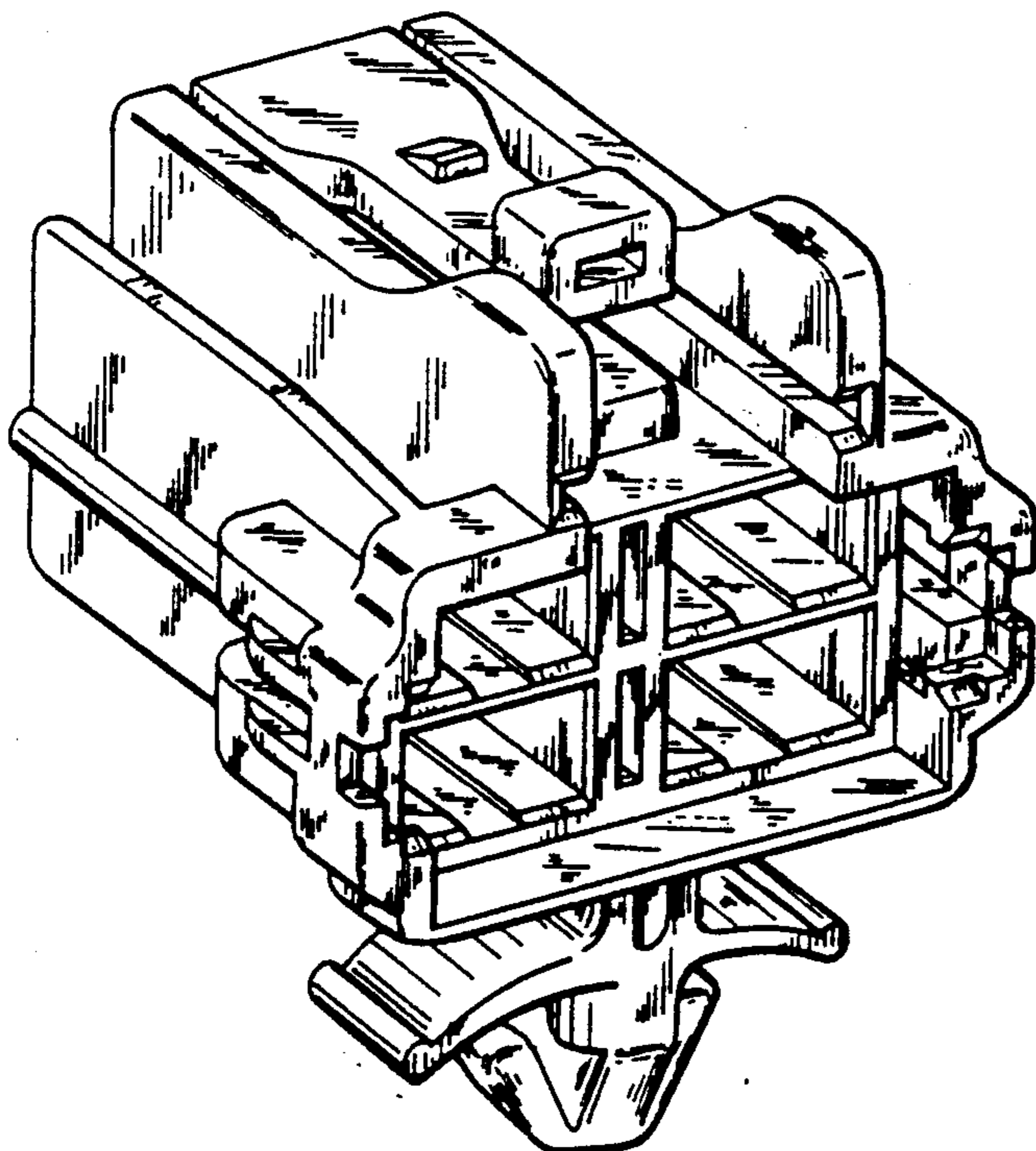


FIG. 1

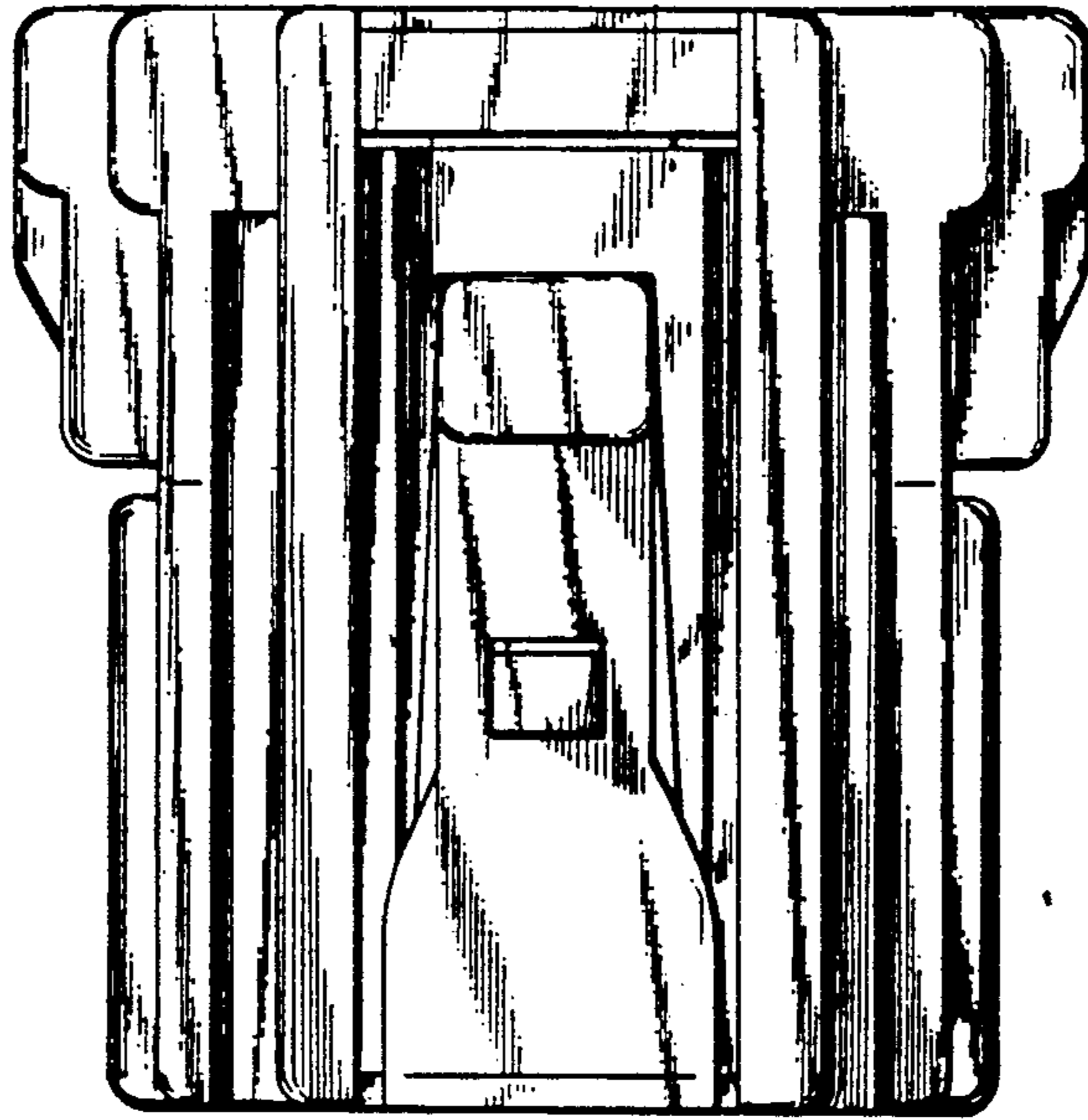


FIG. 2

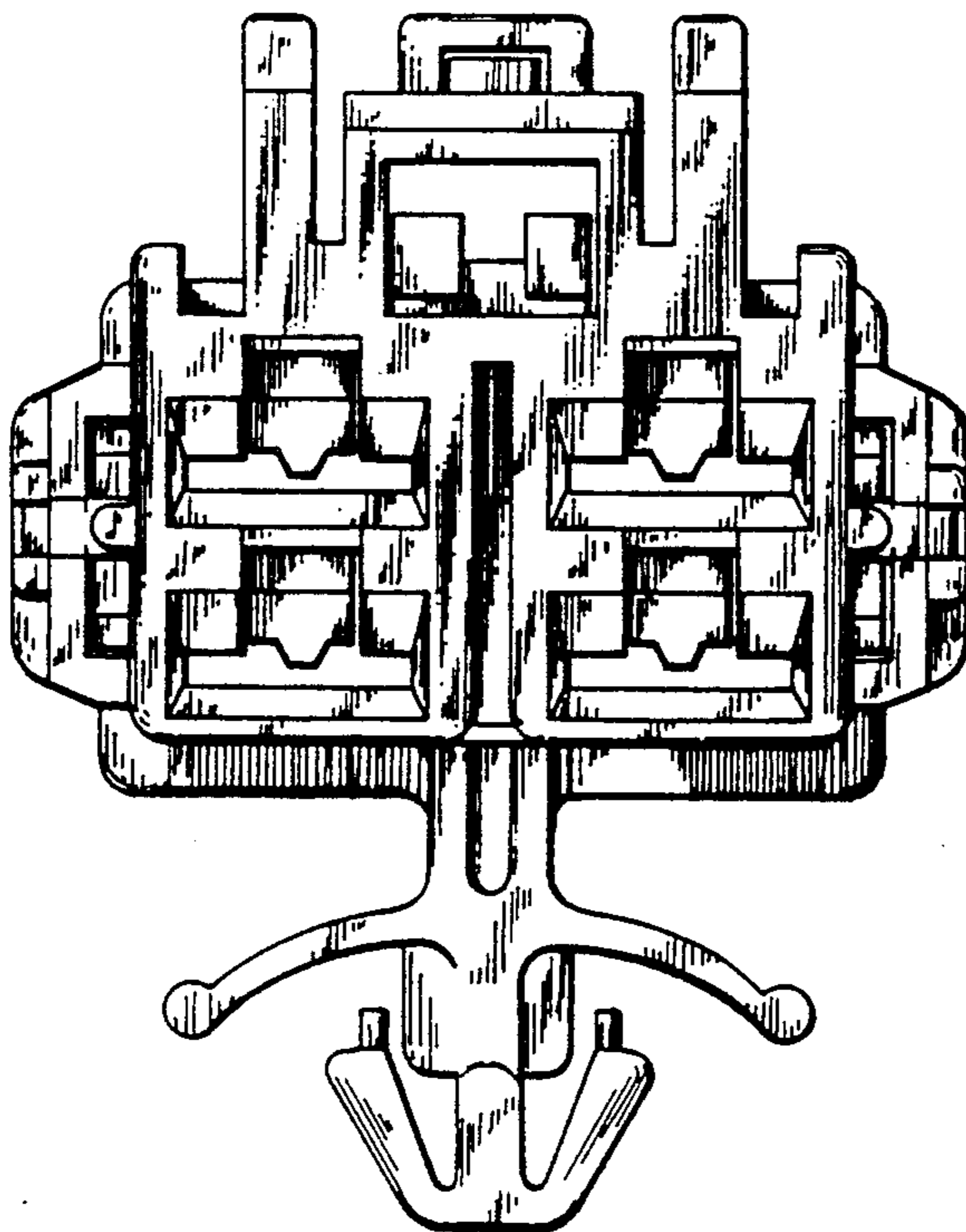


FIG. 3

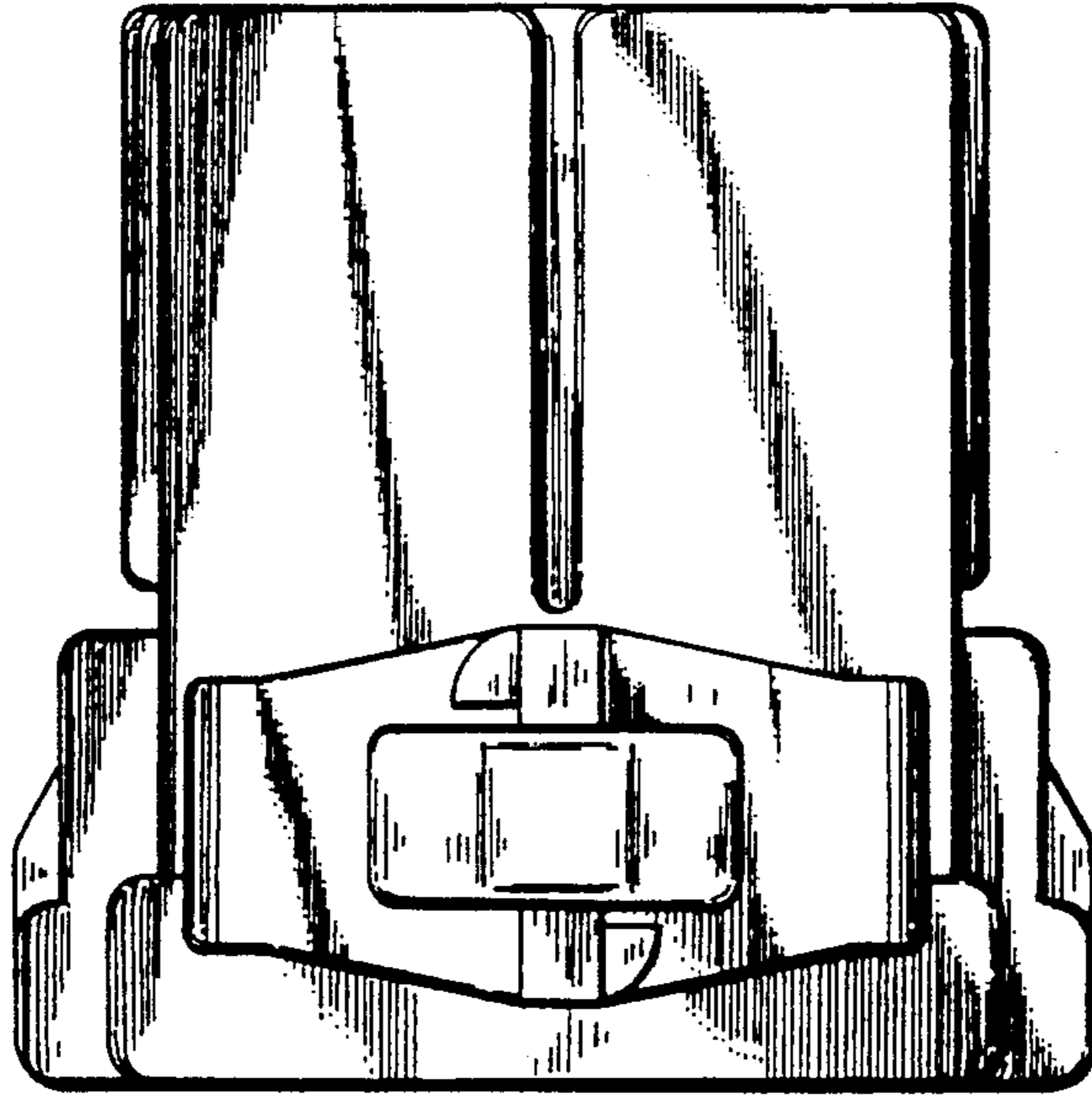


FIG. 4

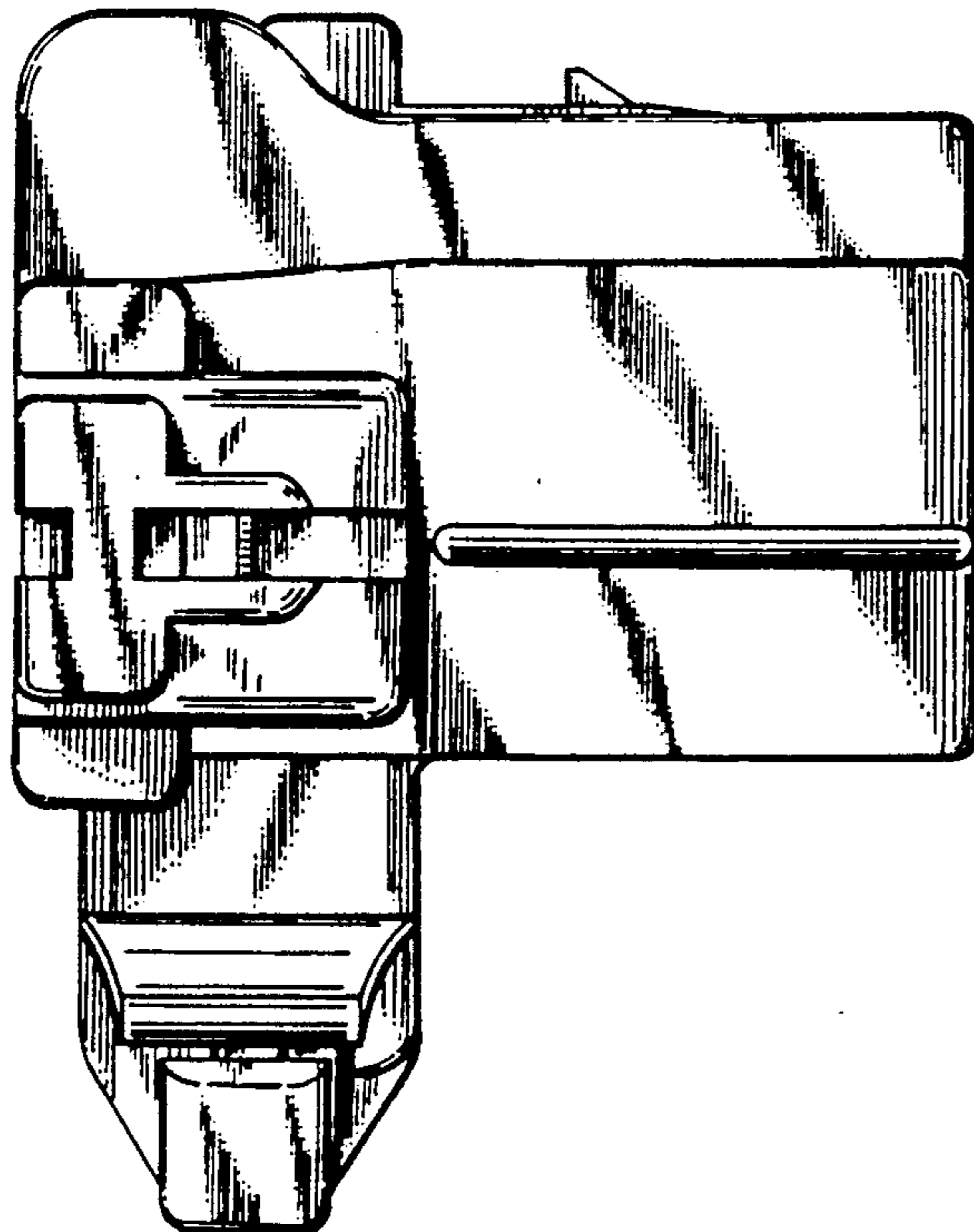


FIG. 5

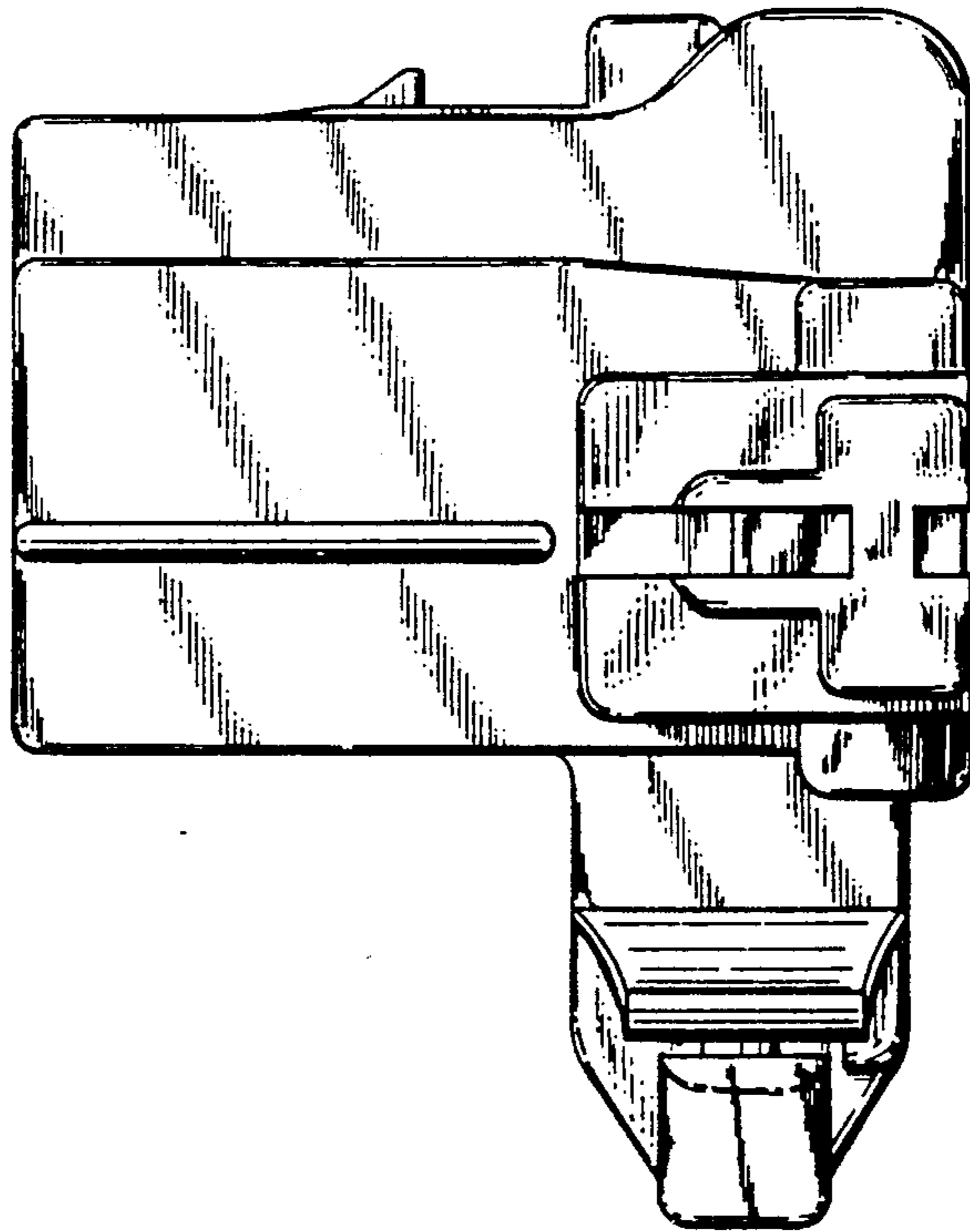


FIG. 6

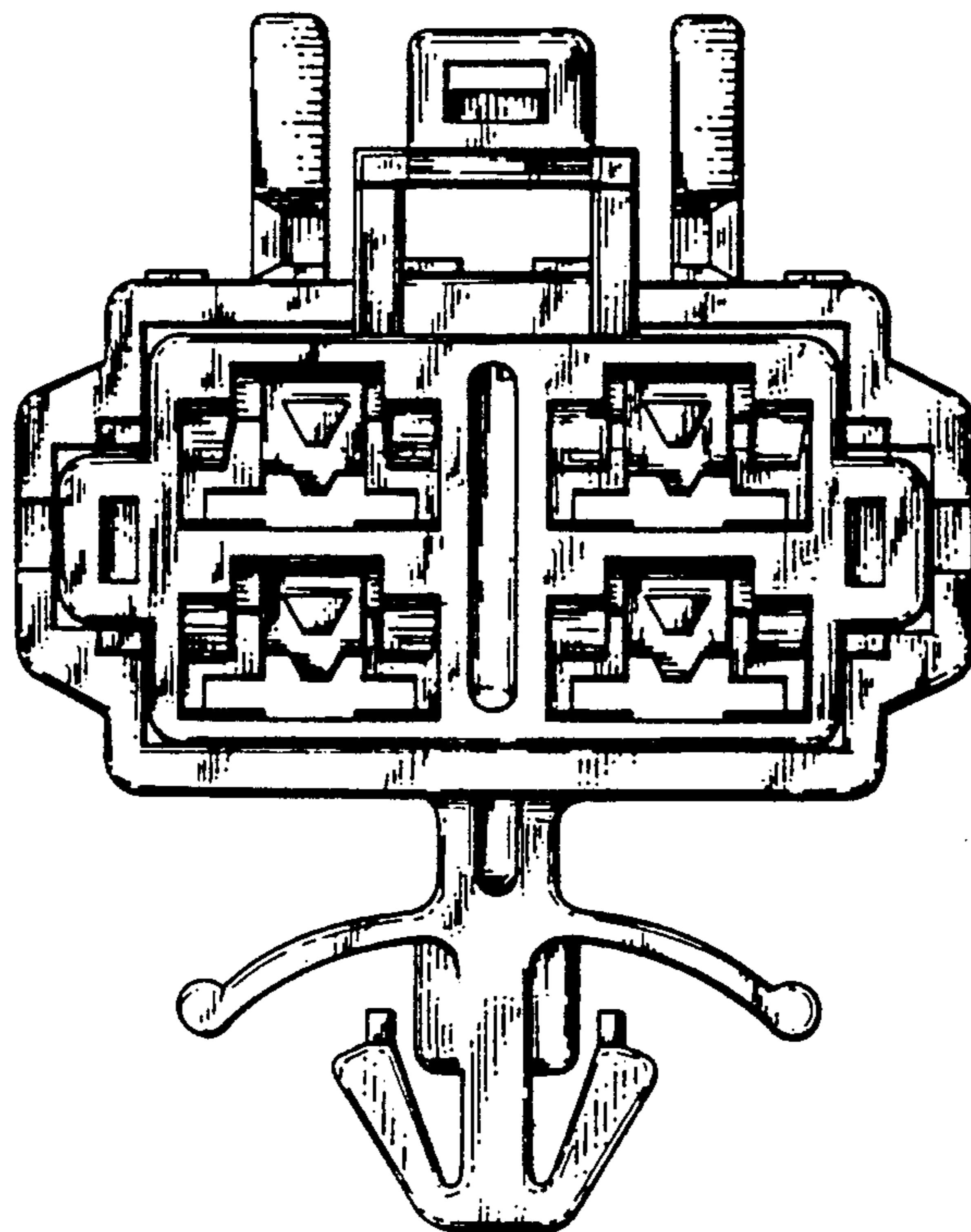


FIG. 7

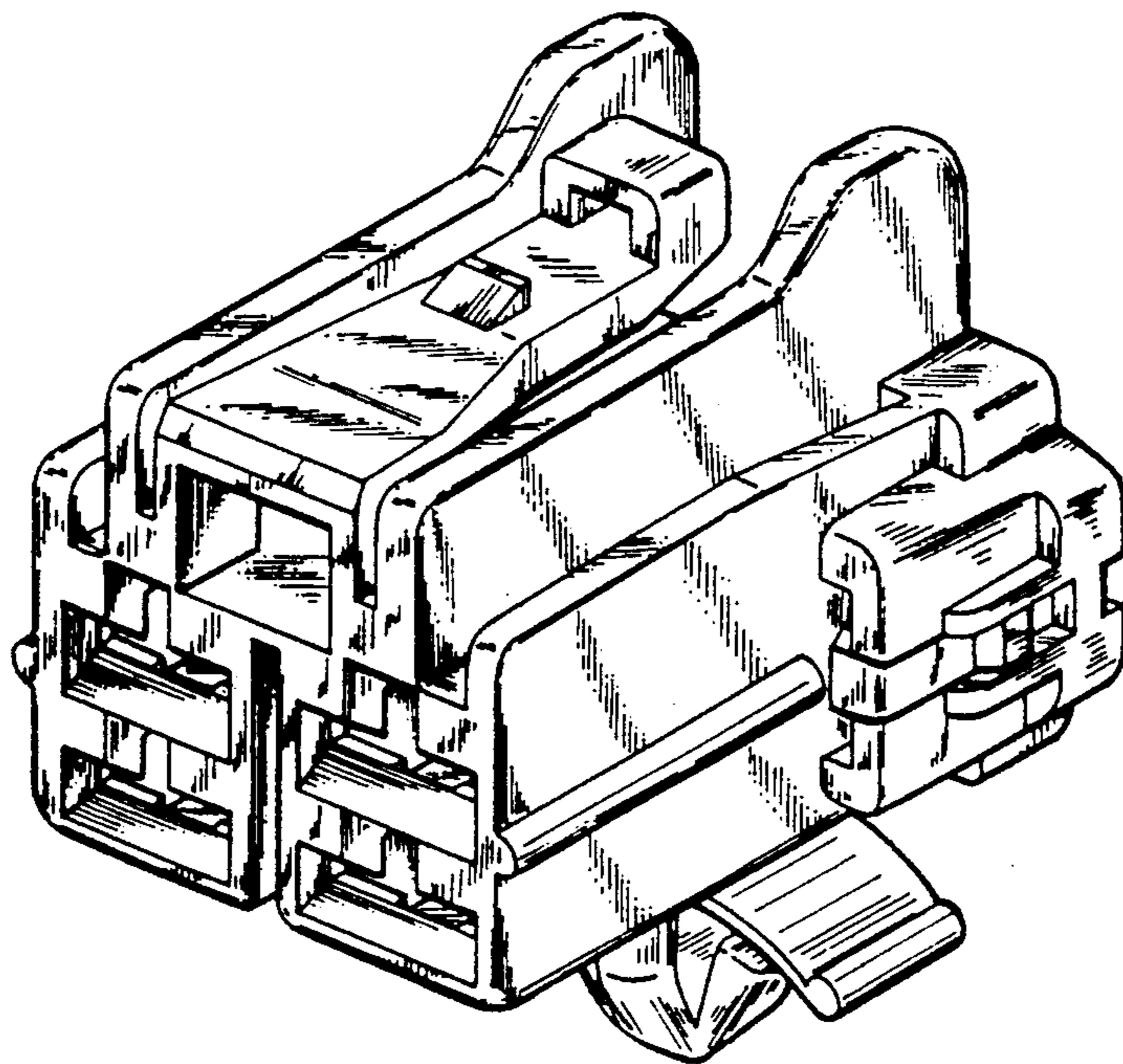


FIG. 8

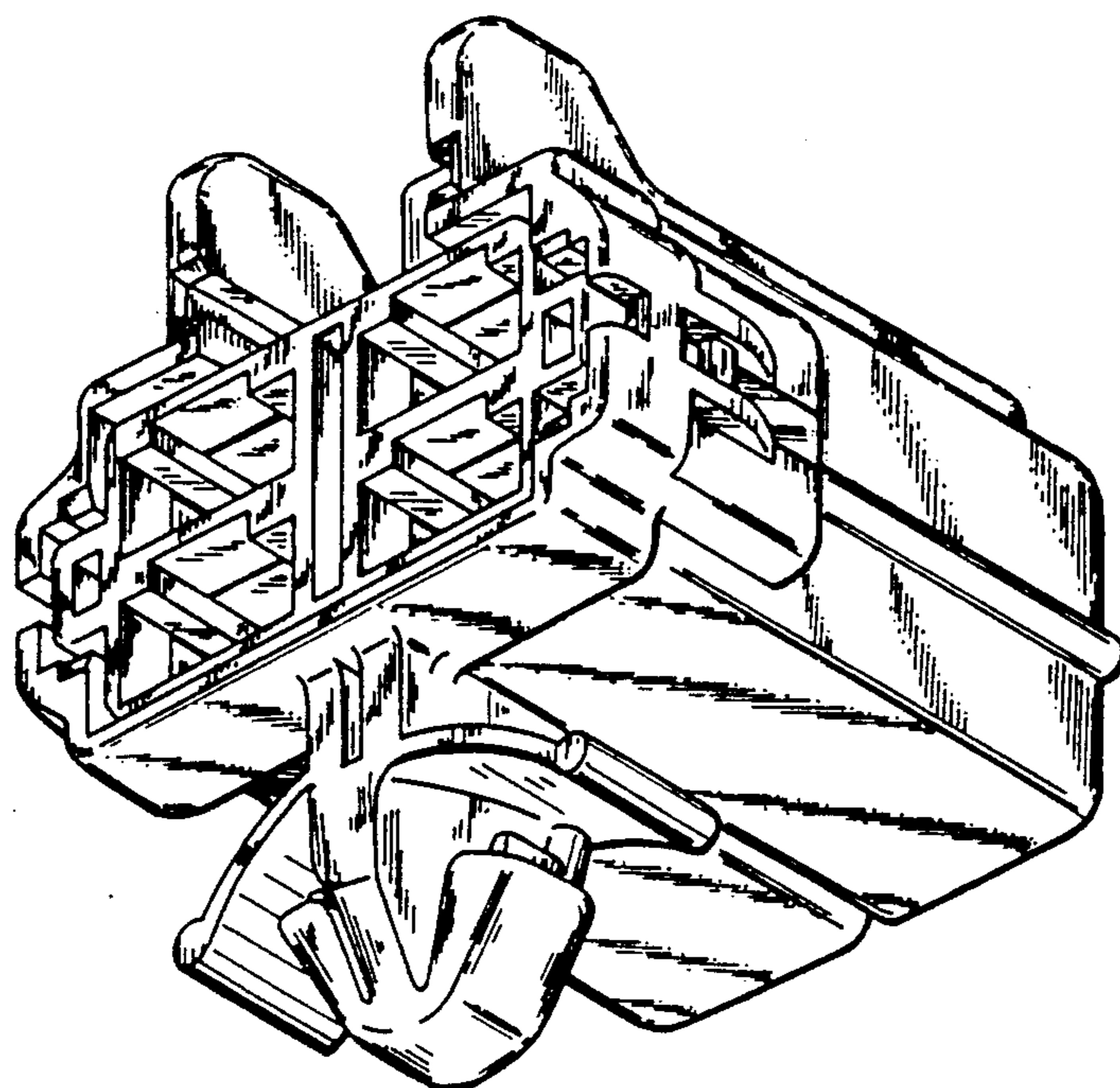


FIG. 9

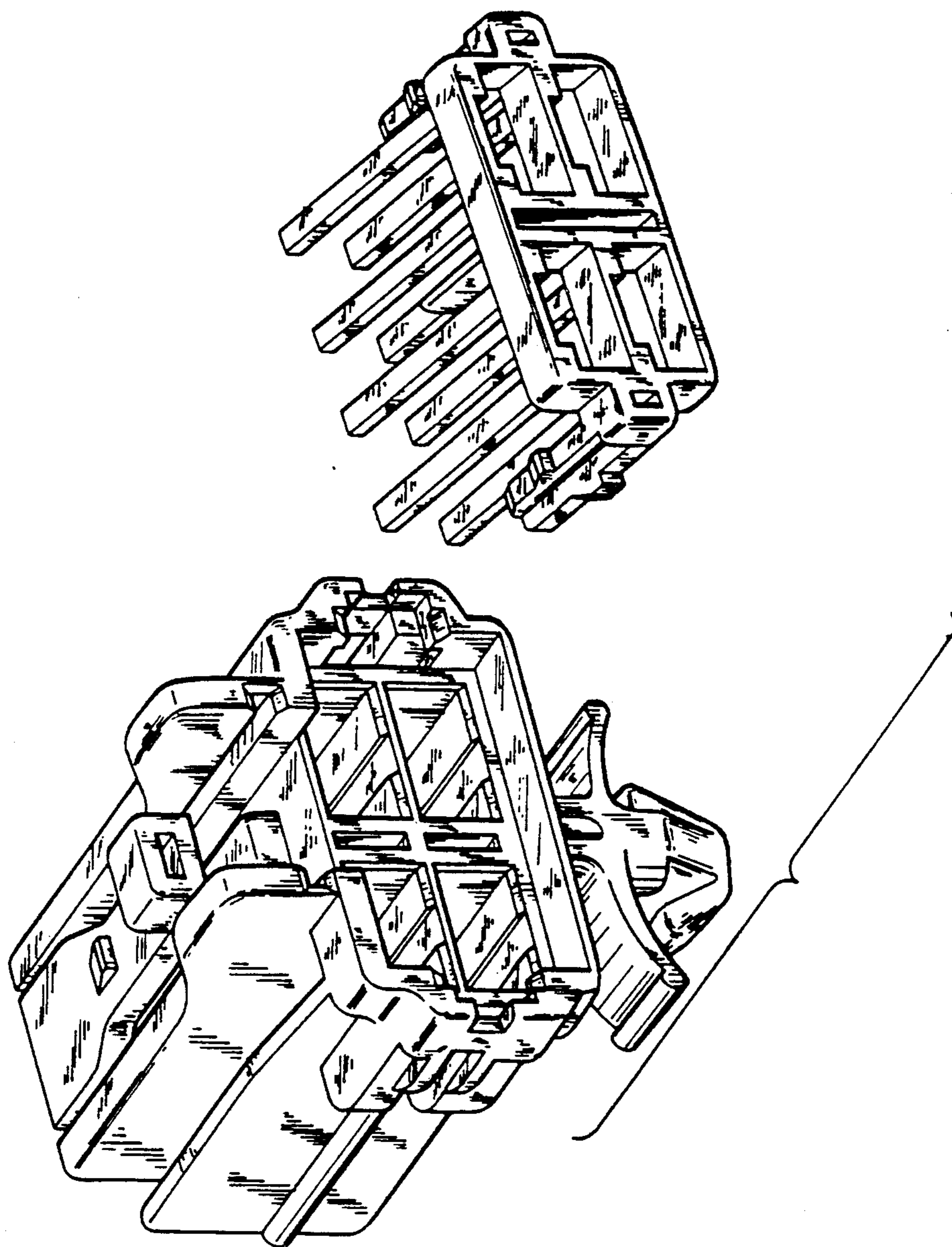


FIG. 10

