

[54] **SLIDER FOR SLIDE FASTENER**

[75] Inventor: **Hisashi Yoneshima**, Toyama, Japan

[73] Assignee: **Yoshida Kogyo K. K.**, Tokyo, Japan

[**] Term: **14 Years**

[21] Appl. No.: **420,230**

[22] Filed: **Oct. 12, 1989**

[30] **Foreign Application Priority Data**

Apr. 13, 1989 [JP] Japan 1-13621

[52] U.S. Cl. **D11/221; D11/200**

[58] Field of Search **D11/200, 201, 221, 212,**
D11/13, 40-47, 79-80, 85-86, 1-4;
24/381-385, 415-417, 427-431

[56] **References Cited**

U.S. PATENT DOCUMENTS

4,823,447 4/1989 Akashi 24/429

4,928,363 5/1990 Easton 24/429

Primary Examiner—A. Hugo Word

Assistant Examiner—R. T. Seifert

Attorney, Agent, or Firm—Hill, Van Santen, Steadman & Simpson

[57] **CLAIM**

The ornamental design for a slider for slide fasteners, as shown and described.

DESCRIPTION

FIG. 1 is a front elevational view of a slide for slide fastener showing my new design;

FIG. 2 is a rear elevational view;

FIG. 3 is a top plan view;

FIG. 4 is a bottom plan view;

FIG. 5 is a right side elevational view;

FIG. 6 is a sectional view taken along the lines 6—6 of FIG. 1;

FIG. 7 is a sectional view taken along the lines 7—7 of FIG. 1; and

FIG. 8 is a perspective view, the broken lines showing of a pull tab is for illustrative purposes only and forms no part of the claimed design.

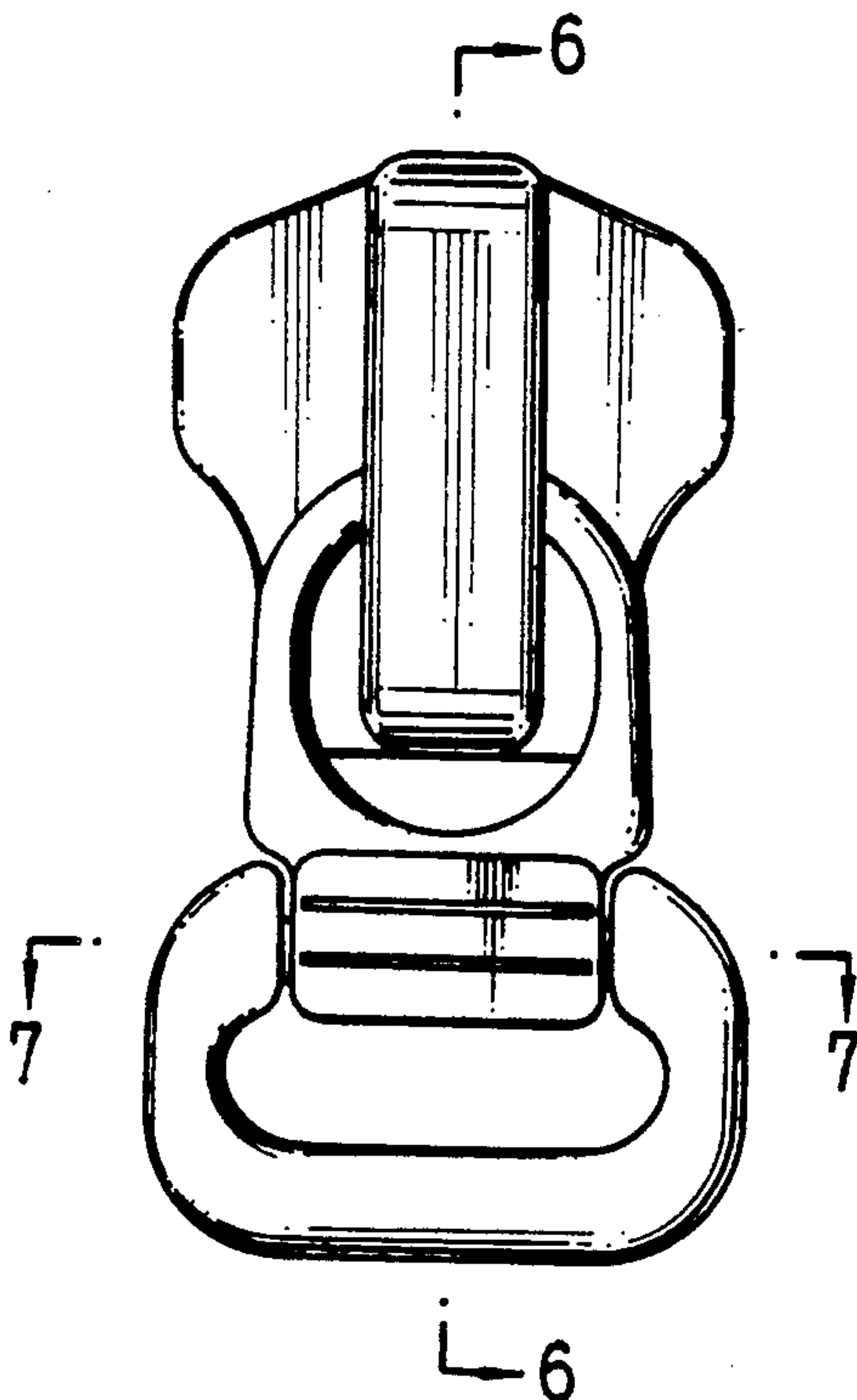


FIG. 1

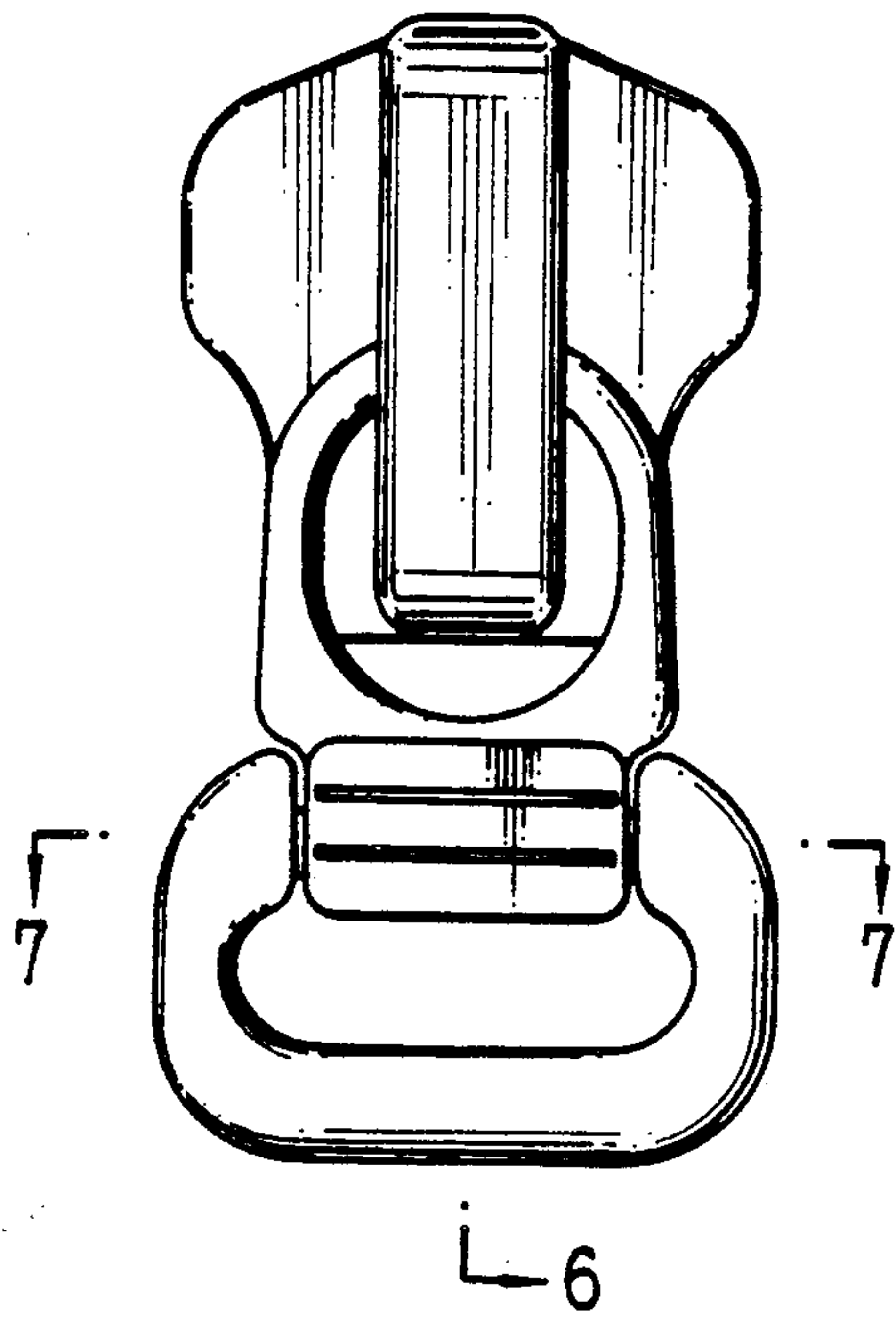


FIG. 2

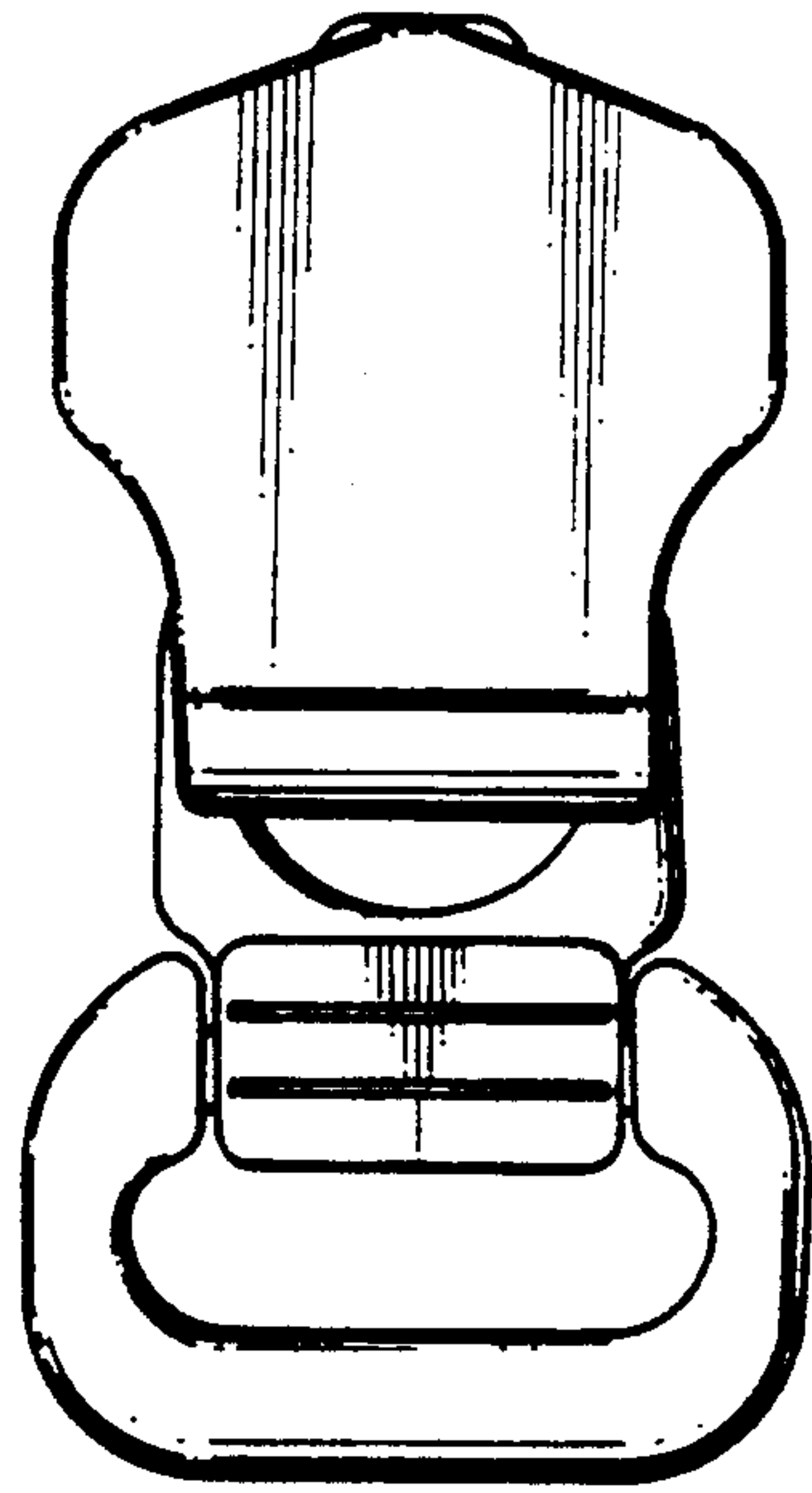


FIG. 3

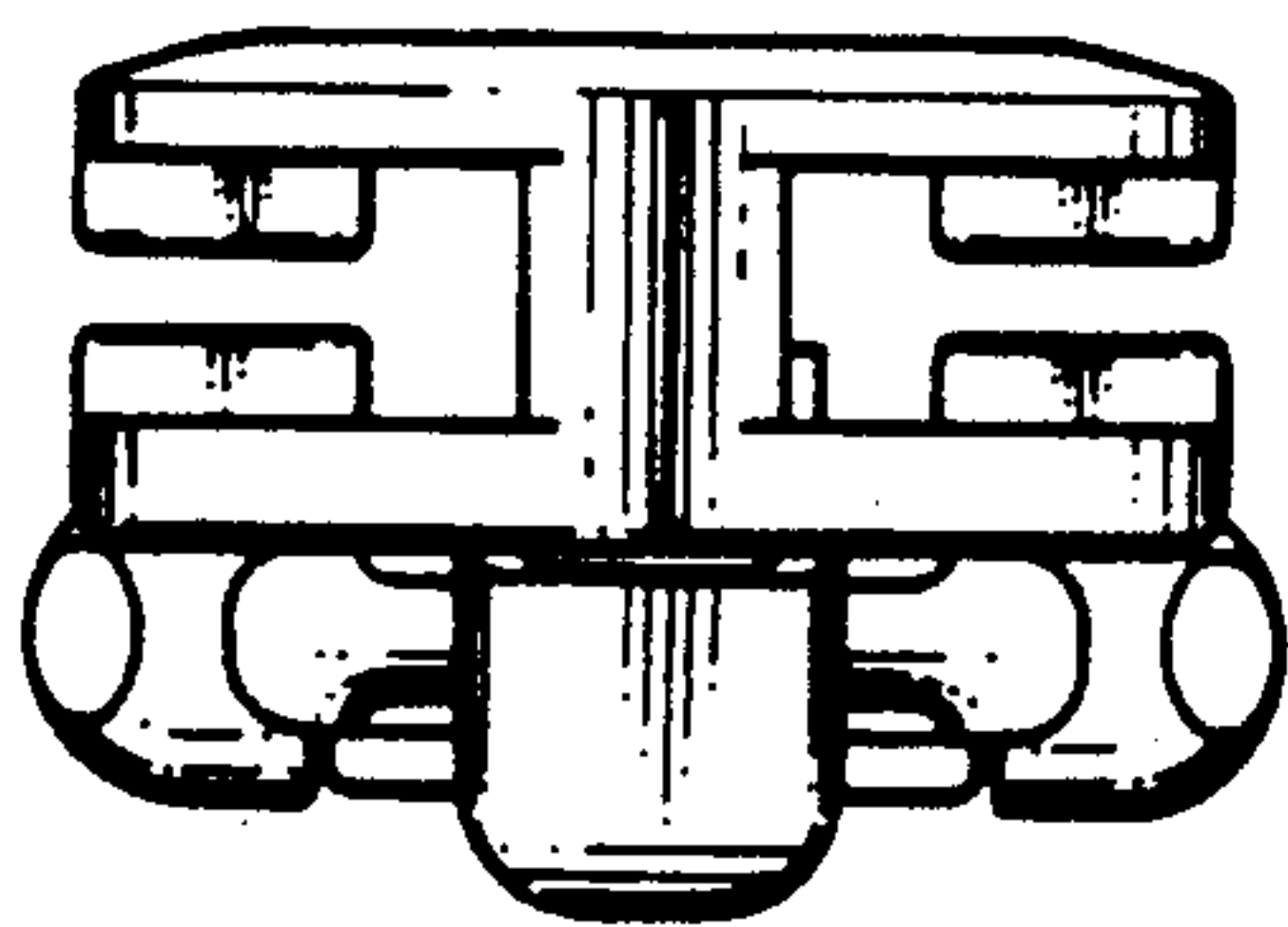


FIG. 4

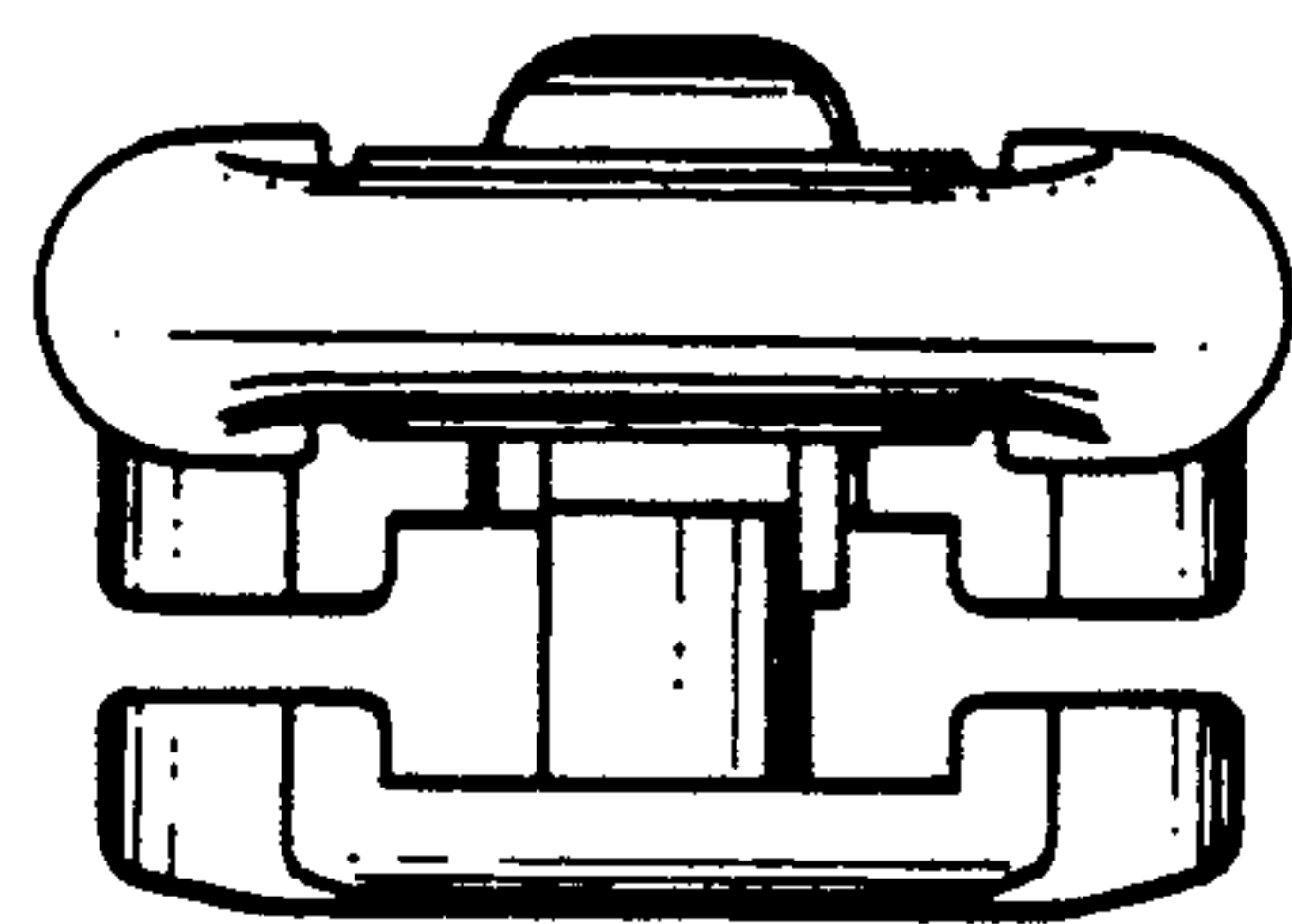


FIG. 5

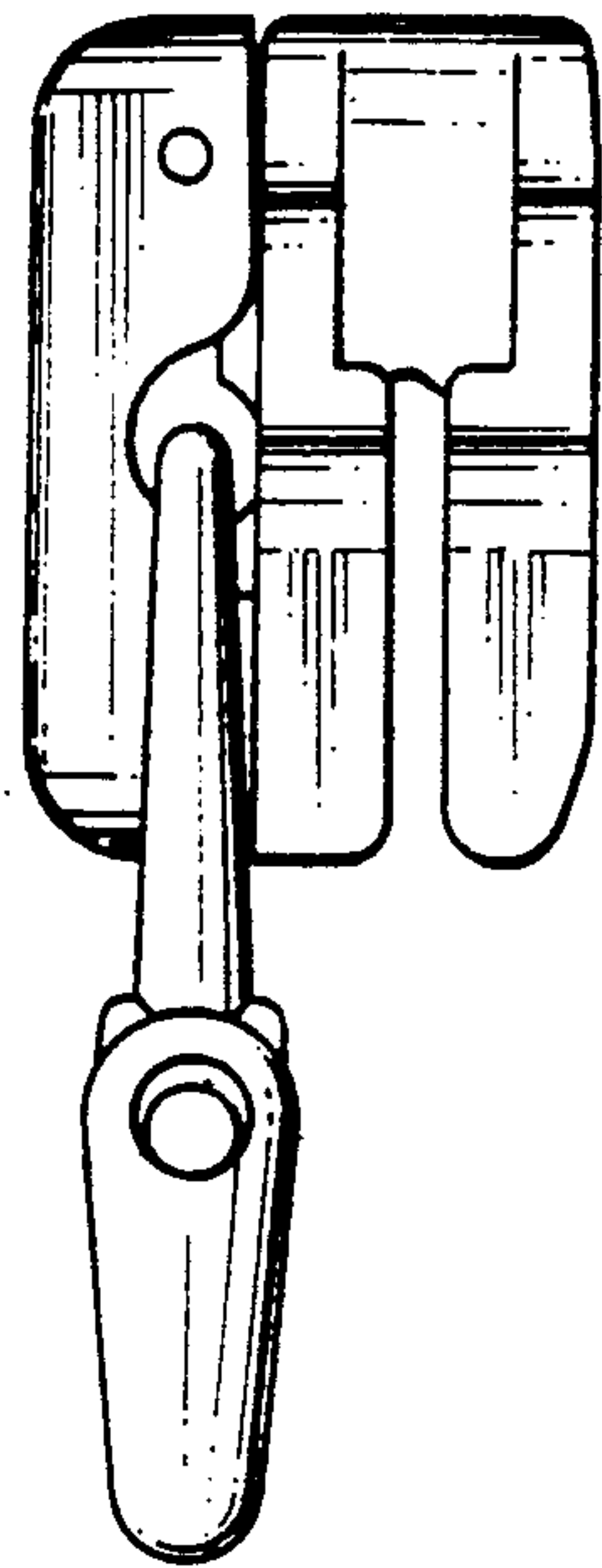


FIG. 6

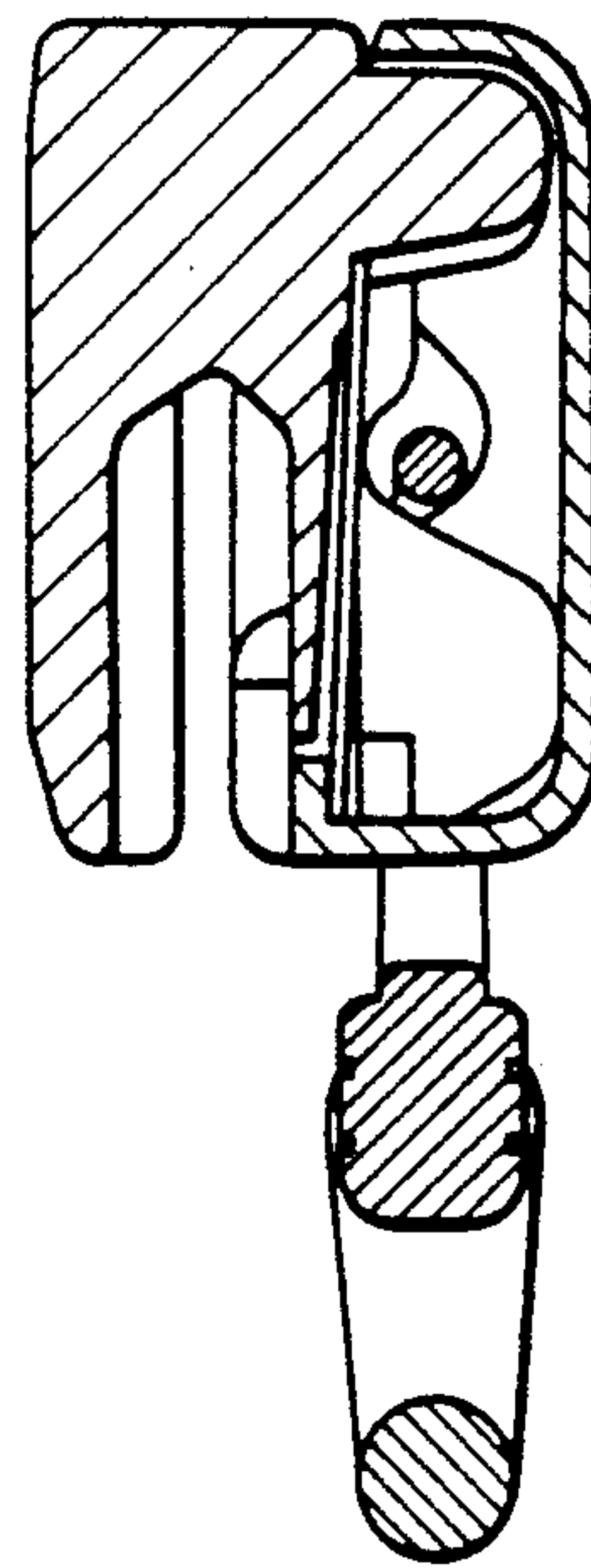


FIG. 7

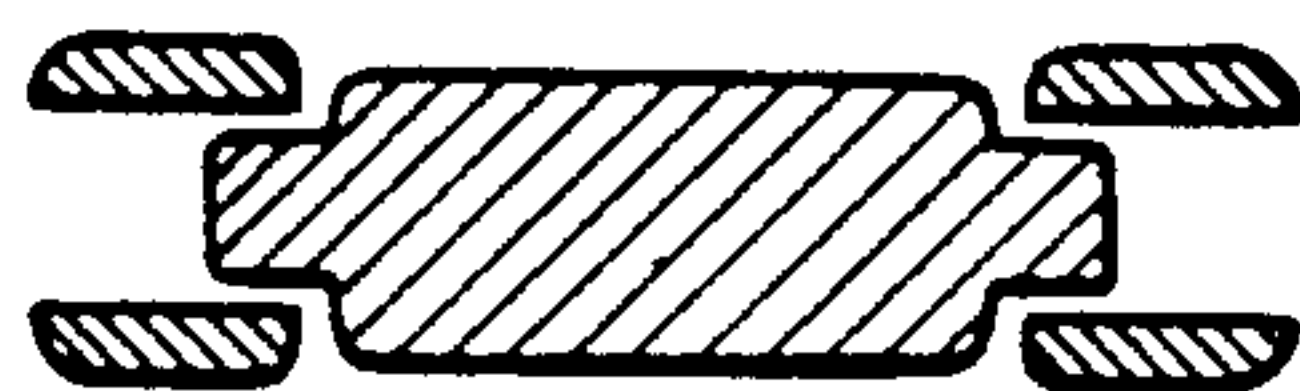


FIG. 8

