

[54] **SIGNAL LAMP**

[75] Inventors: **Tokio Kawashima; Tetsuya Miyatake,**  
both of Osaka, Japan

[73] Assignee: **Sasaki Electric Corporation, Yao,**  
Japan

[\*\*] Term: **14 Years**

[21] Appl. No.: **410,679**

[22] Filed: **Sep. 21, 1989**

[52] U.S. Cl. .... **D10/114; D26/68**

[58] Field of Search ..... **D26/67-71,**  
**D26/28, 35; 362/431, 147, 410, 61, 362, 80, 227,**  
**80.1, 235-341, 83; 340/321, 331, 468-475;**  
**116/28, 63; D10/114**

745026 3/1988 Japan .  
745027 3/1988 Japan .  
745028 3/1988 Japan .  
745029 3/1988 Japan .  
745030 3/1988 Japan .  
755331 2/1989 Japan .  
755331-1 2/1989 Japan .  
755331-2 2/1989 Japan .  
755332 2/1989 Japan .

*Primary Examiner*—Susan J. Lucas  
*Attorney, Agent, or Firm*—Armstrong, Nikaido,  
Marmelstein, Kubovcik & Murray

[57] **CLAIM**

The ornamental design for a signal lamp, as shown and described.

[56] **References Cited**

**U.S. PATENT DOCUMENTS**

D. 293,027 5/1985 Zurwelle ..... D26/46  
1,780,004 10/1930 Connelly ..... 340/321  
2,549,627 4/1951 Musch et al. .... 340/321  
3,728,708 4/1973 Culbertson ..... 340/321 X  
4,020,335 4/1977 Bisceglia ..... 340/472 X

**FOREIGN PATENT DOCUMENTS**

813282 2/1937 France ..... 362/235  
745025 3/1988 Japan .

**DESCRIPTION**

FIG. 1 is a top, front perspective view of a signal lamp showing our new design;  
FIG. 2 is a front elevational view thereof;  
FIG. 3 is a top plan view thereof;  
FIG. 4 is a bottom plan view thereof;  
FIG. 5 is a rear elevational view thereof;  
FIG. 6 is a right side elevational view thereof;  
FIG. 7 is a left side elevational view thereof; and  
FIG. 8 is a cross-sectional view thereof as taken along line 8—8 of FIG. 2.

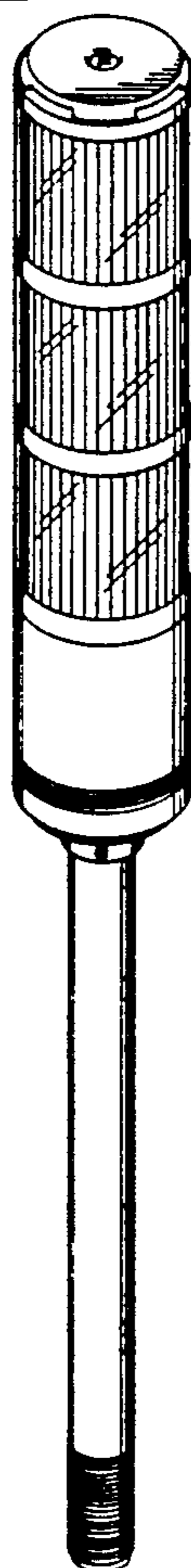


Fig. 1

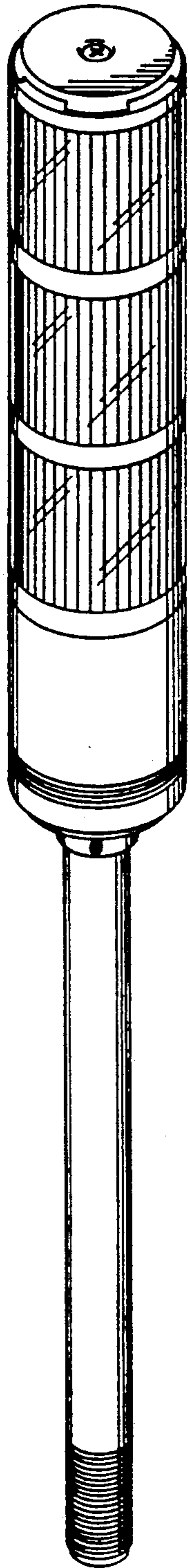


Fig. 2

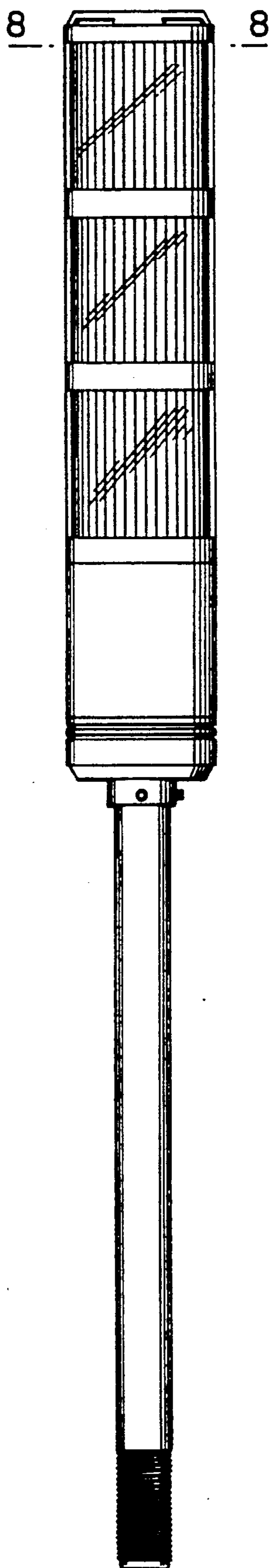


Fig. 3

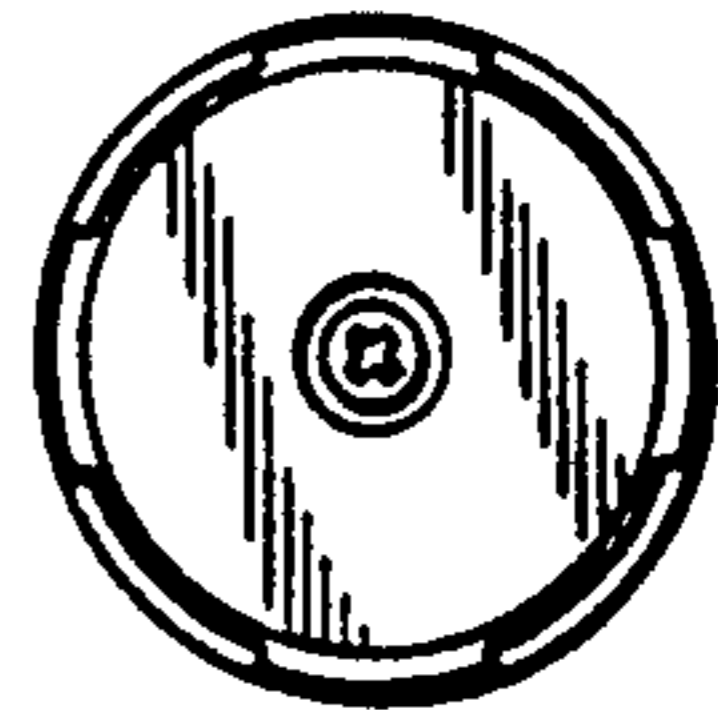


Fig. 4

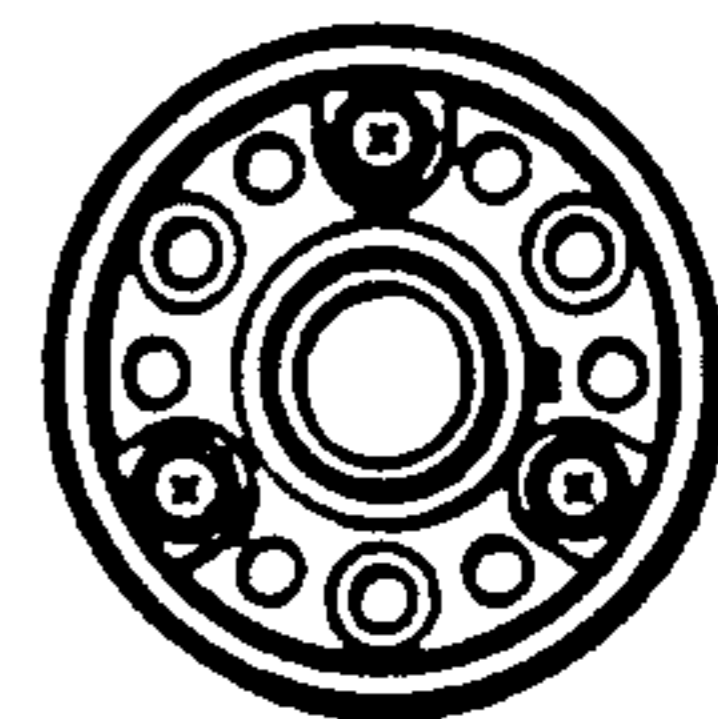


Fig. 8

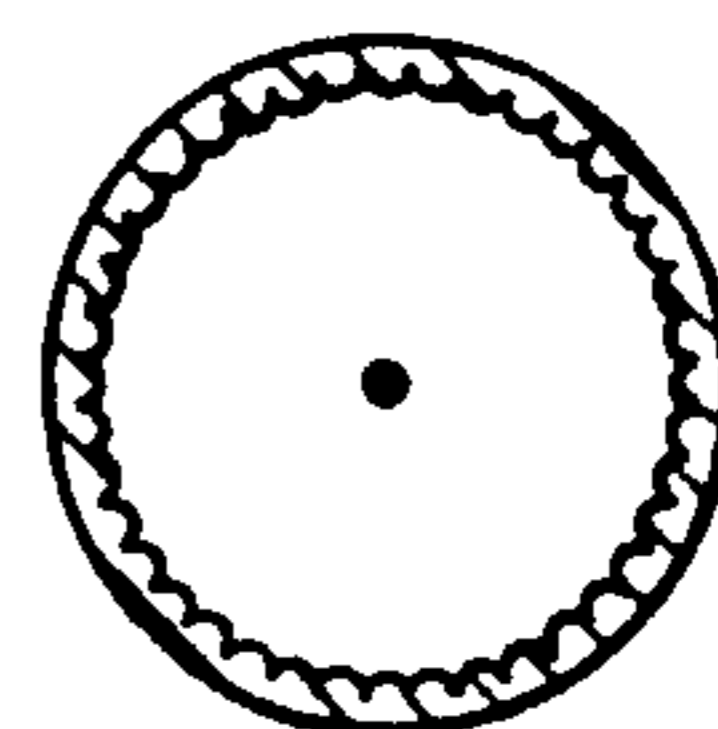


Fig. 5

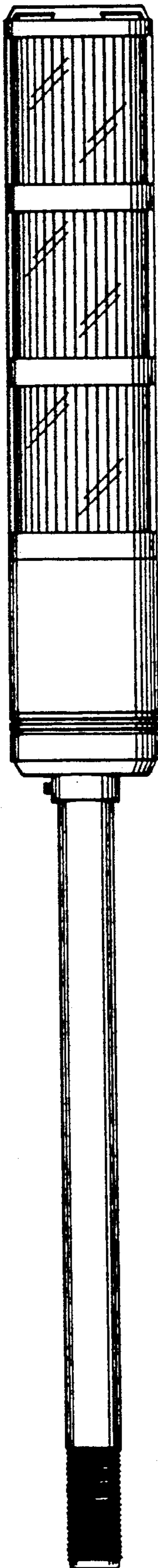


Fig. 6

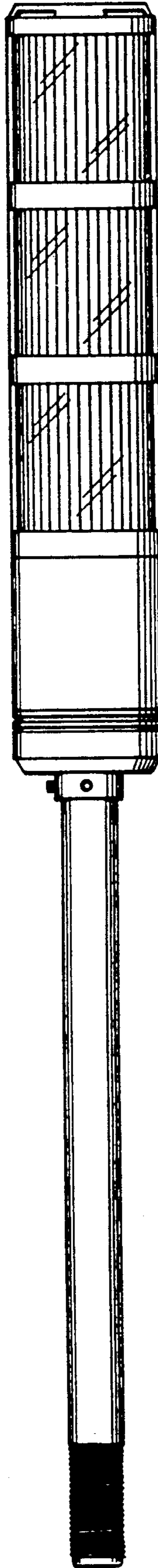


Fig. 7

