

[54] LIGHTNING DETECTOR AND ADVANCE STORM WARNING INSTRUMENT

[76] Inventor: Richard N. Snyder, P.O. Box 220, Garrisonville, Va. 22463

[**] Term: 14 Years

[21] Appl. No.: 357,736

[22] Filed: May 26, 1989

[52] U.S. Cl. D10/105

[58] Field of Search D10/105, 109, 114; 340/500, 501, 502, 520, 521, 522, 523, 524, 525, 526, 905, 870.16, 870.17, 601, 602

[56] References Cited

U.S. PATENT DOCUMENTS

D. 22,207	2/1893	Weston	D10/105
D. 29,370	9/1898	Wirt	D10/105
3,283,297	11/1966	Fennighausen et al.	340/905
3,891,919	6/1975	Penninger	340/601
4,276,576	6/1981	Uman et al.	340/601
4,803,421	2/1989	Otsander	340/601
4,823,115	4/1989	McCallie	340/601
4,912,459	3/1990	McCallie	340/601

OTHER PUBLICATIONS

Radio and Television 3/1950 p. 12 Marker Generator.

Primary Examiner—Wallace R. Burke

Assistant Examiner—Marcus Jackson

Attorney, Agent, or Firm—Lane, Aitken & McCann

[57] CLAIM

The ornamental design for a lightning detector and advance storm warning instrument, as shown and described.

DESCRIPTION

FIG. 1 is a top perspective view of a lightning detector and advanced storm warning instrument showing my new design;

FIG. 2 is a top perspective view thereof, with the lid shown in open condition;

FIG. 3 is a left side elevational view thereof, with the right side being a mirror image;

FIG. 4 is a top plan view thereof;

FIG. 5 is a rear elevational view thereof;

FIG. 6 is a left side elevational view thereof, with the lid shown in closed condition;

FIG. 7 is a top plan view thereof;

FIG. 8 is a bottom plan view thereof;

FIG. 9 is a front elevational view thereof; and

FIG. 10 is a right side elevational view thereof.

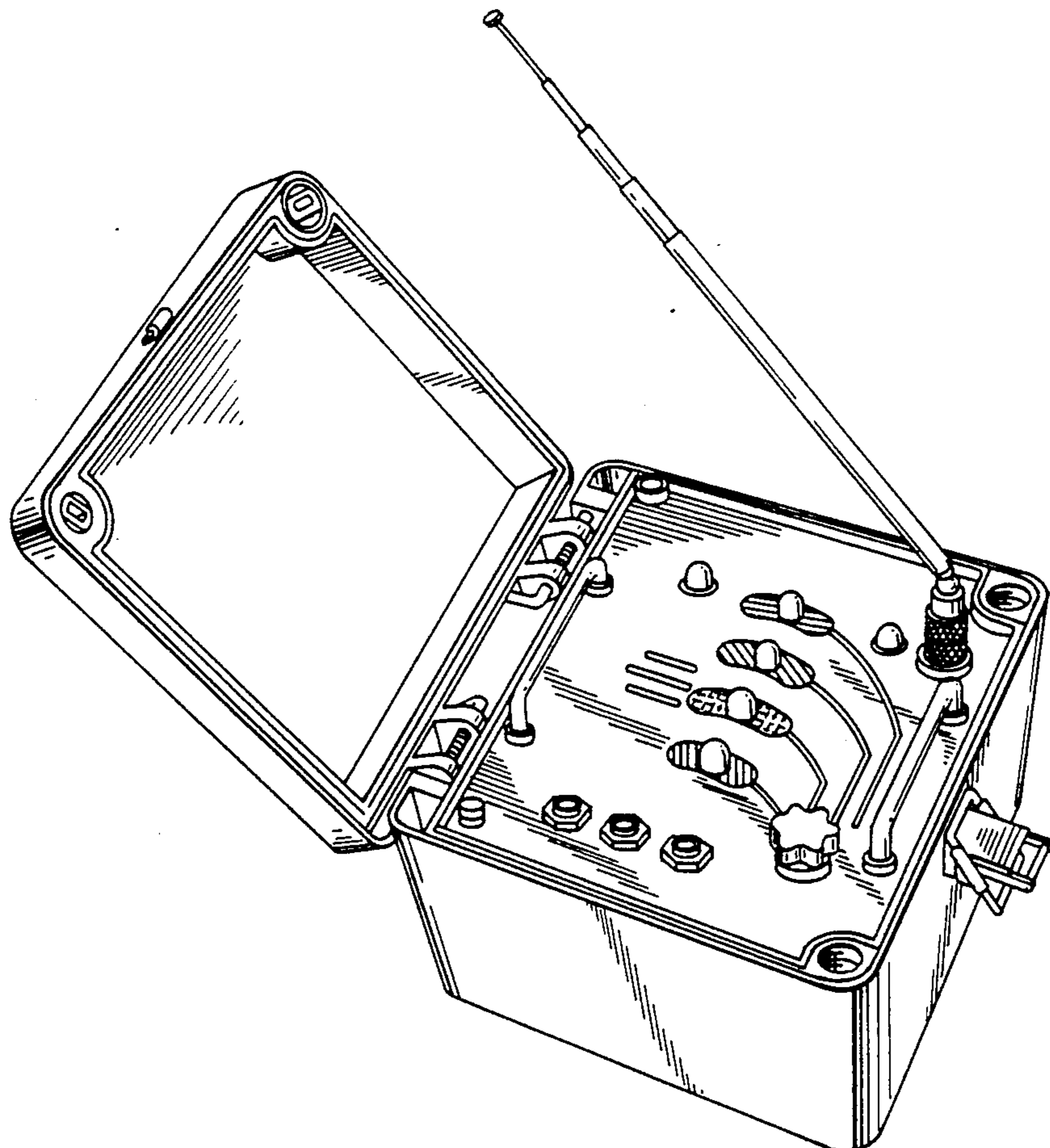


FIG. 1

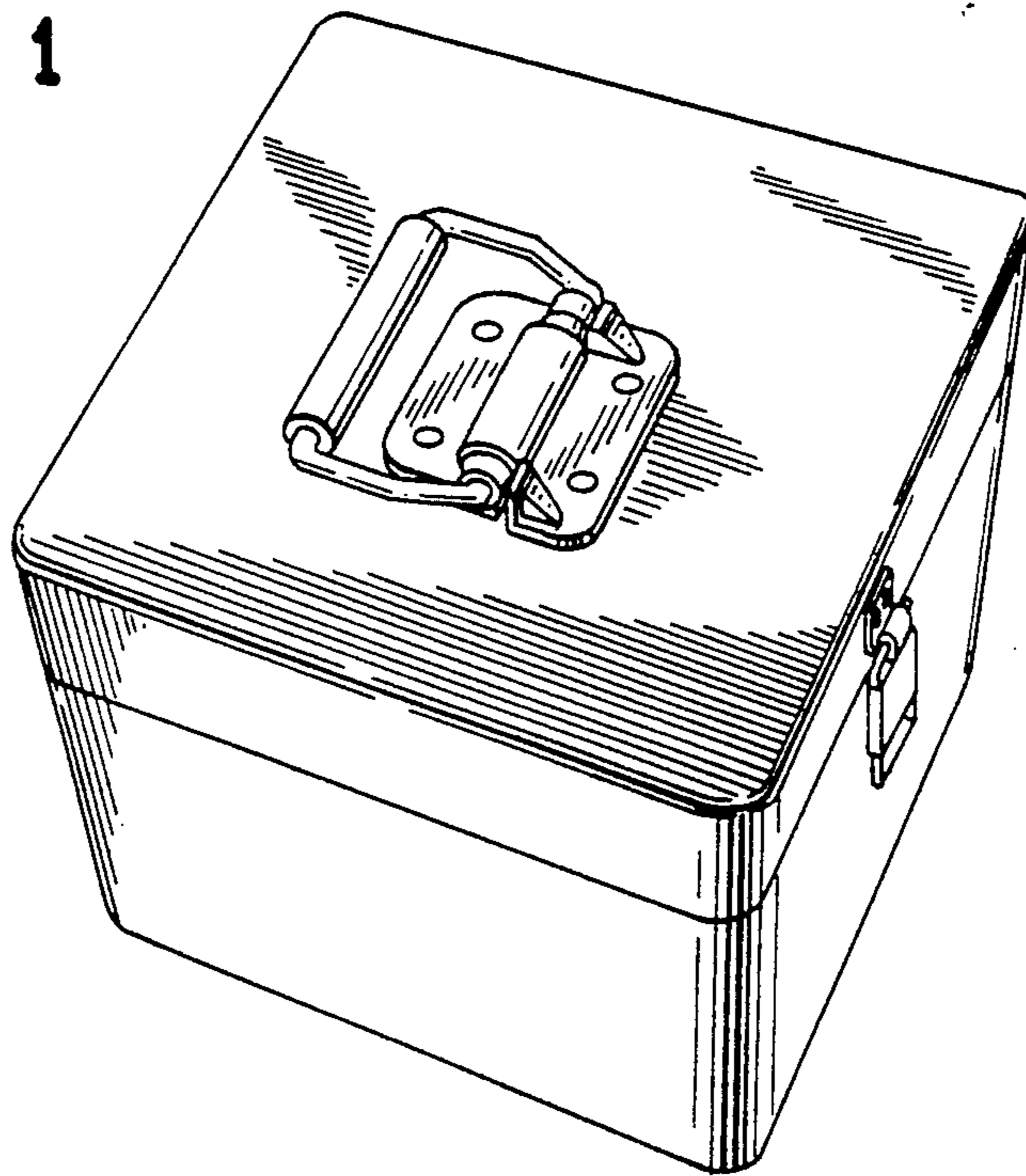


FIG. 2

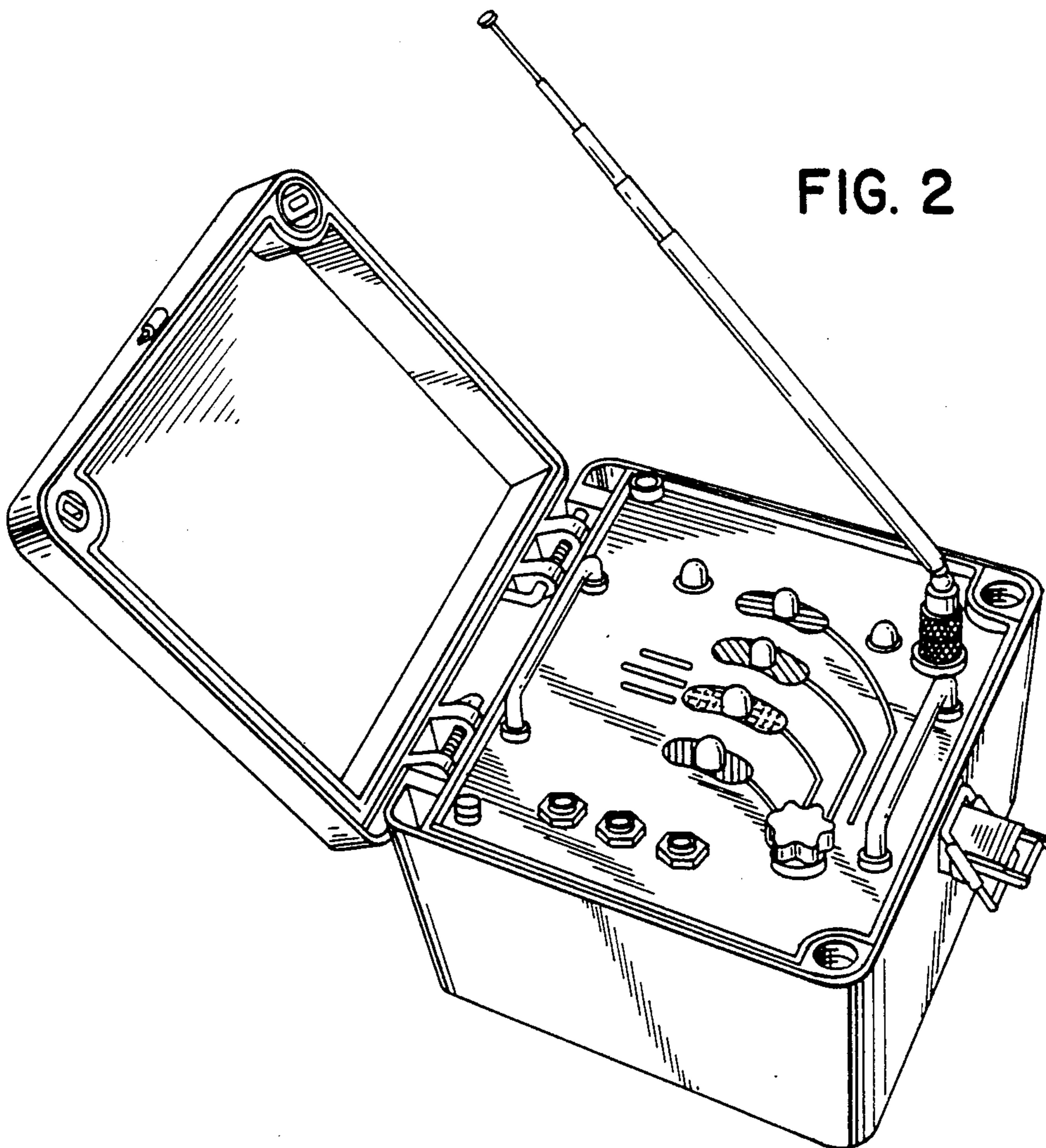


FIG. 3

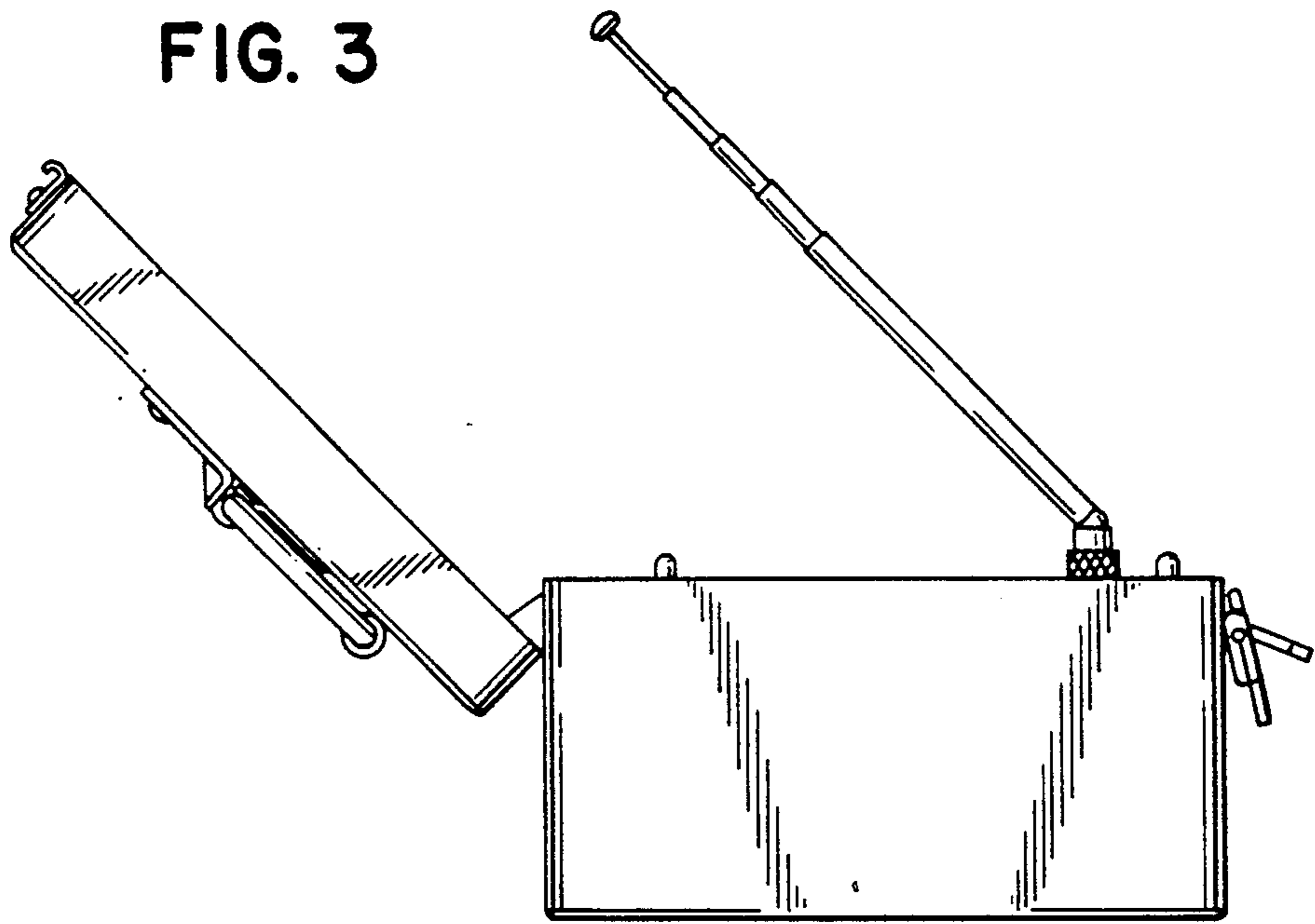


FIG. 4

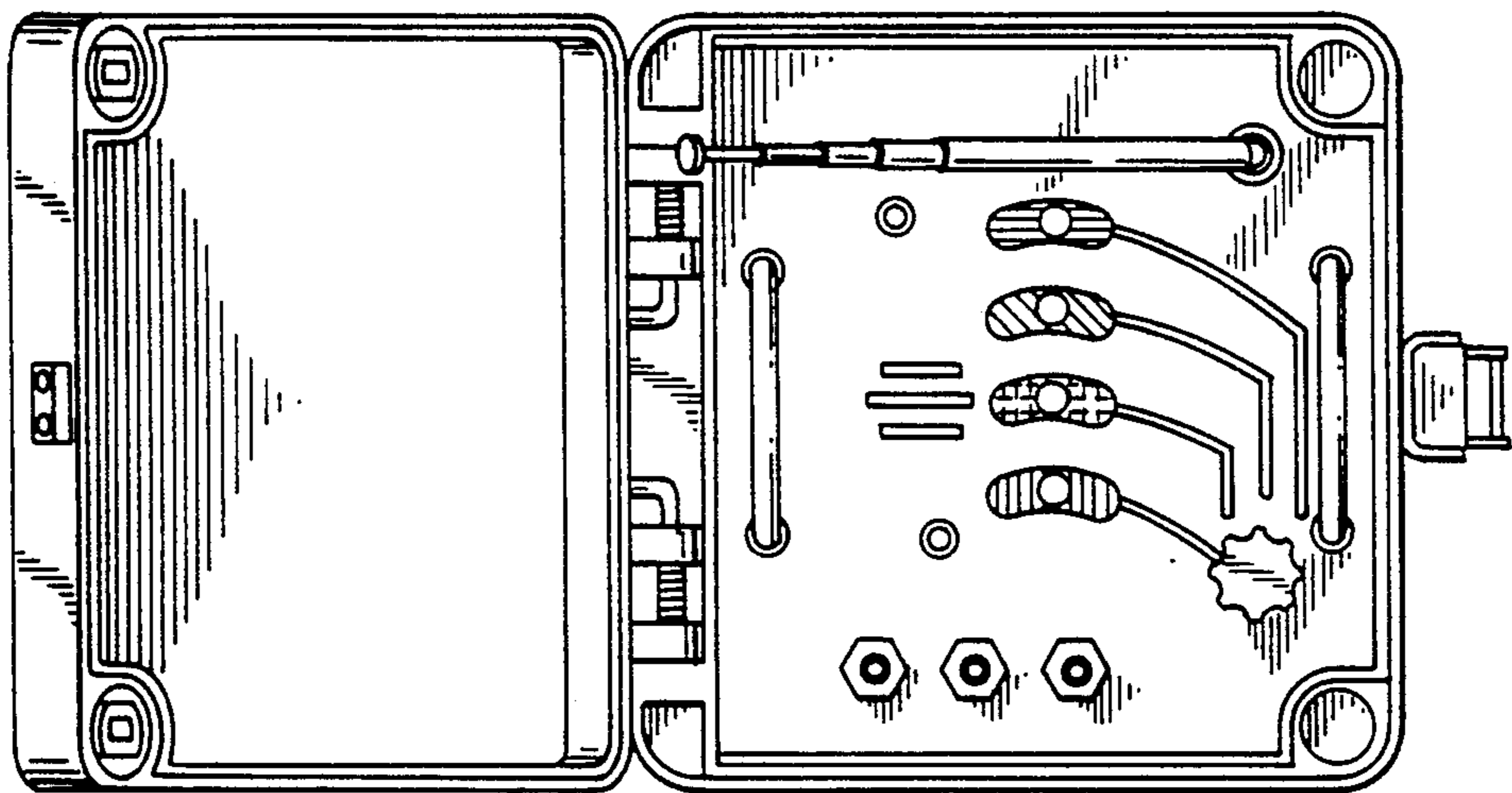


FIG. 5

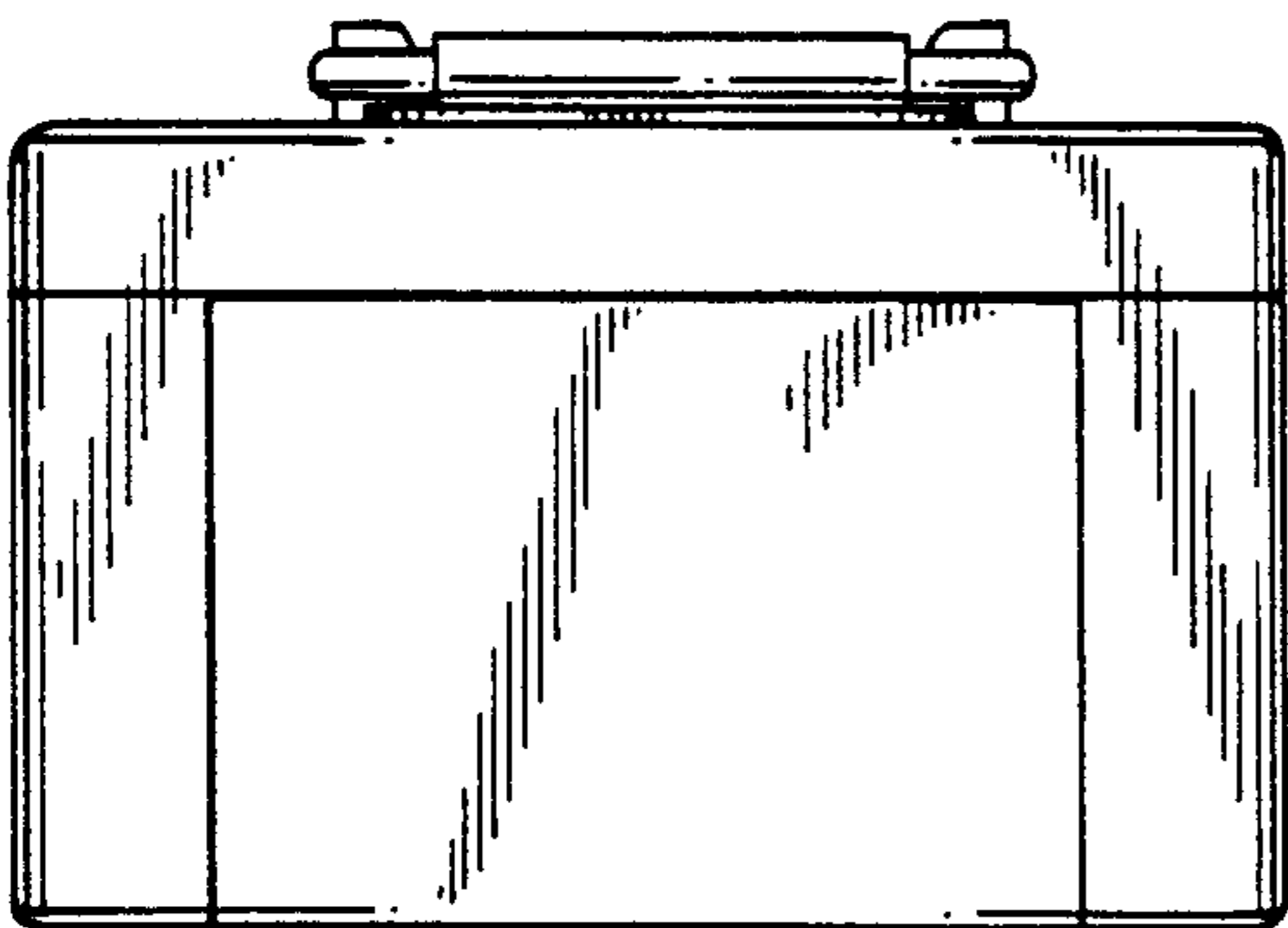


FIG. 6

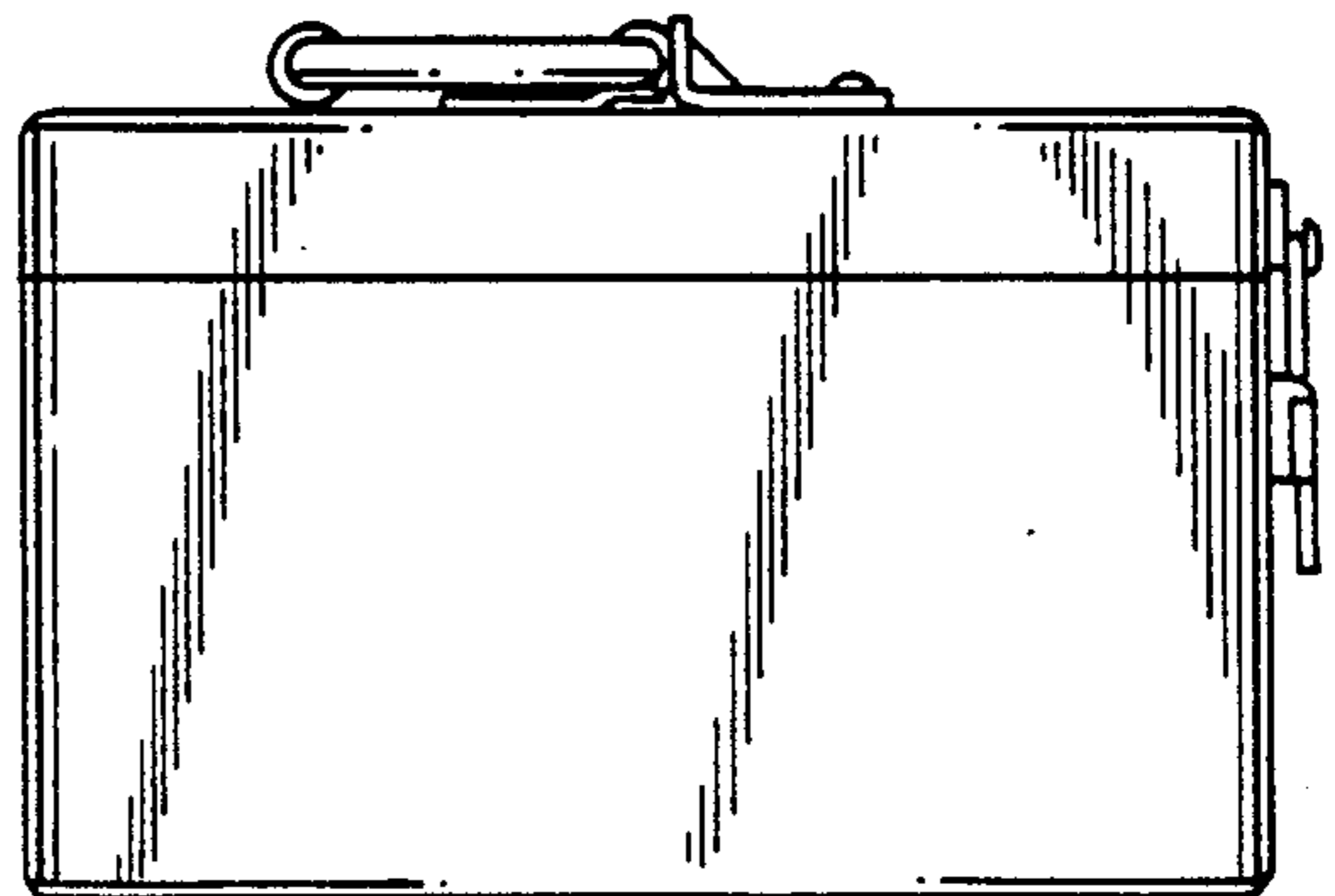


FIG. 7

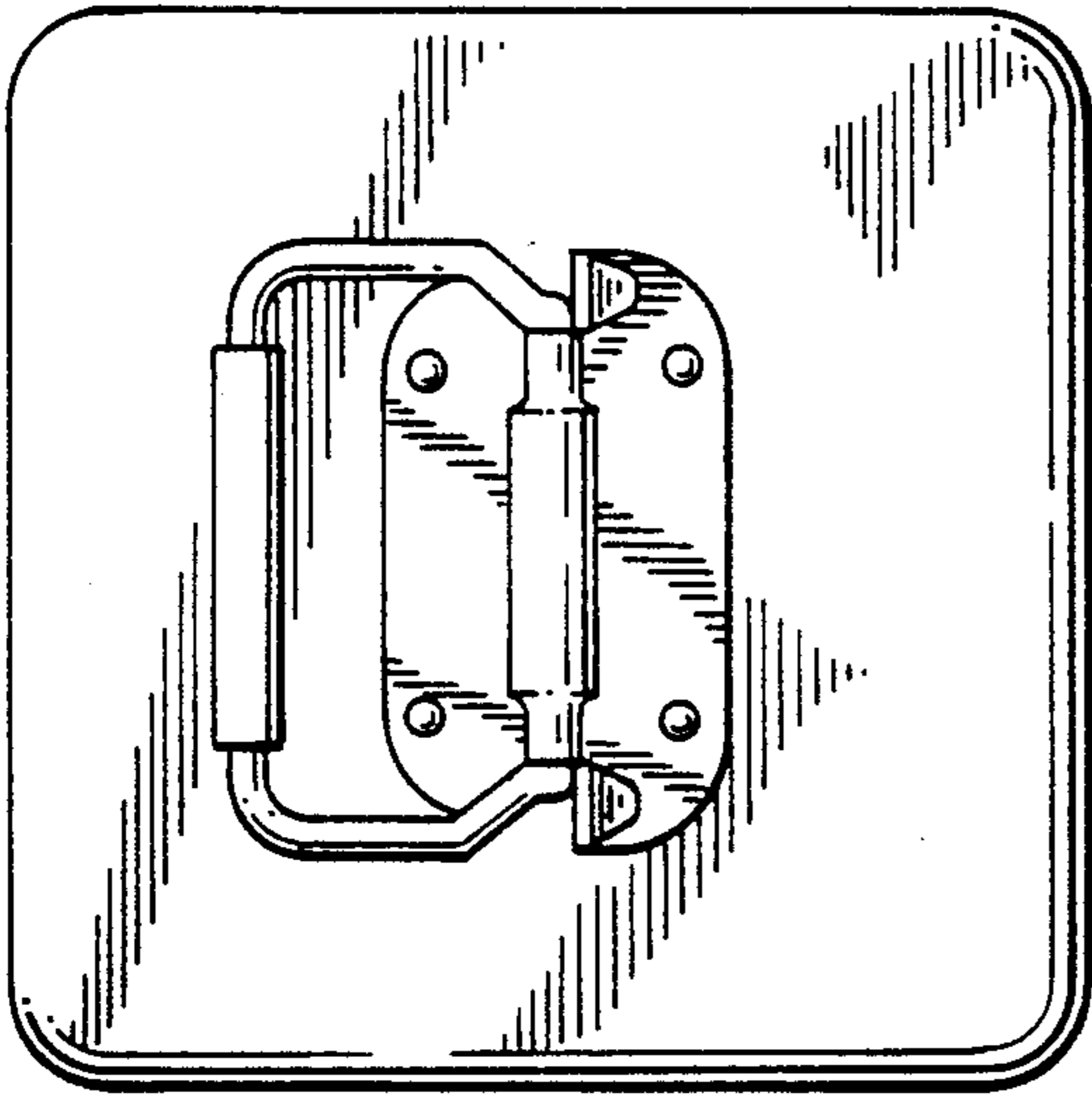


FIG. 8

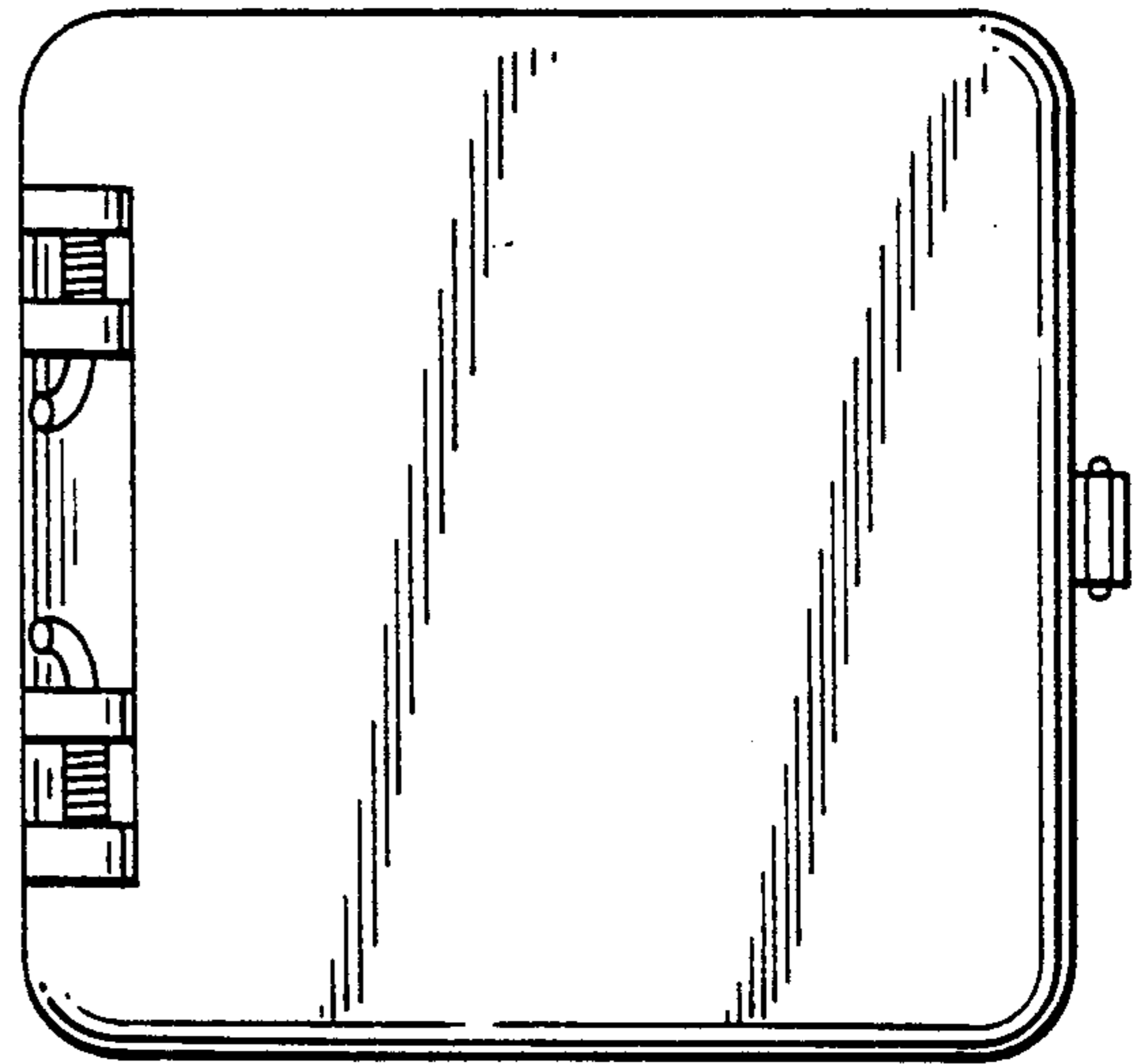


FIG. 9

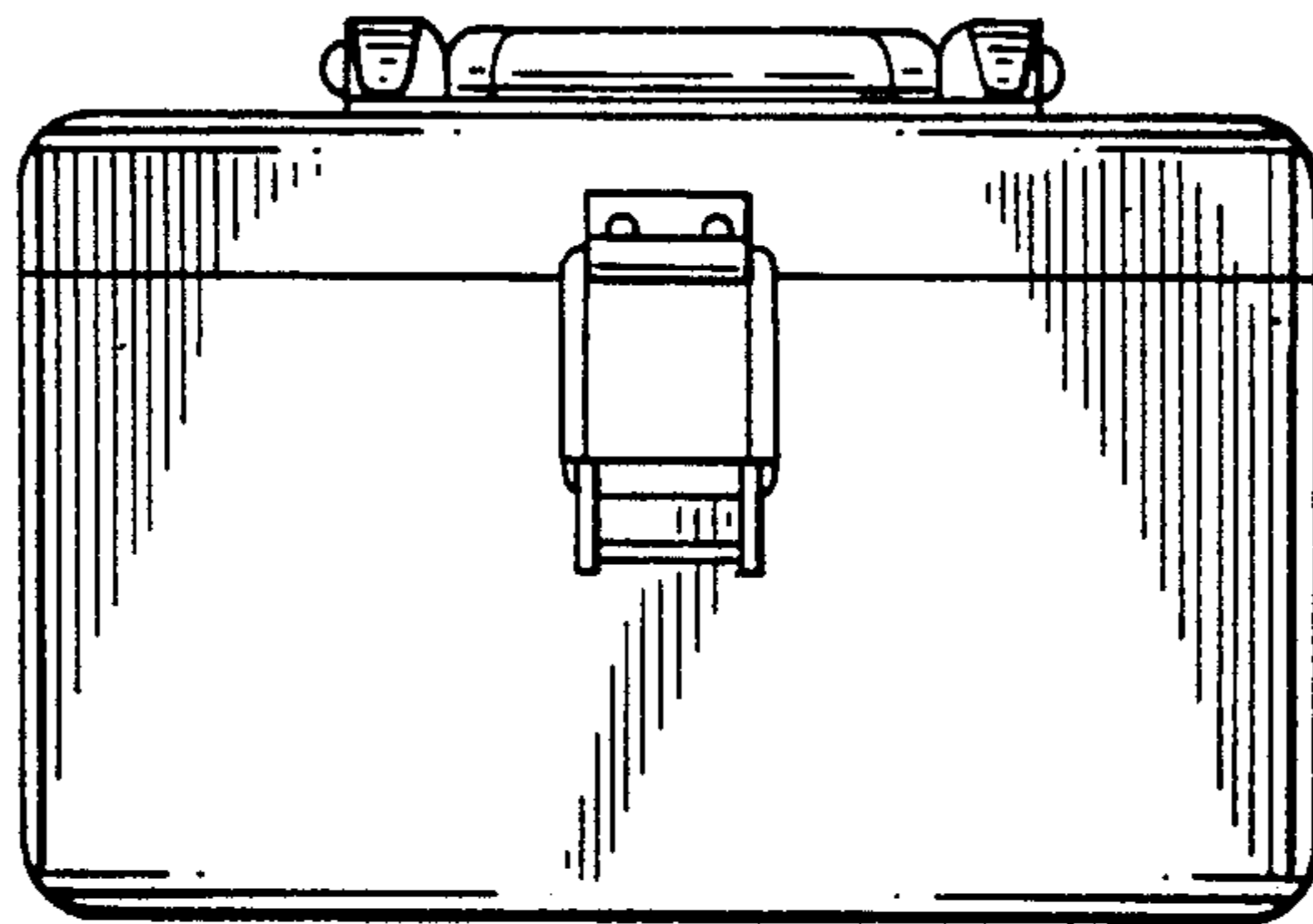


FIG. 10

