

United States Patent [19]

Heath

[11] Patent Number: Des. 322,581

[45] Date of Patent: ** Dec. 24, 1991

[54] AIRPLANE LEVEL

[76] Inventor: Al Heath, 425 Holiday, Bridge City, Tex. 77611

[**] Term: 14 Years

[21] Appl. No.: 158,358

[22] Filed: Feb. 19, 1988

[52] U.S. Cl. D10/69

[58] Field of Search D10/69; D21/77, 87; 33/332, 365, 367, 369-371, 379-382

[56] References Cited

U.S. PATENT DOCUMENTS

D. 53,902 10/1919 Grant D21/87

| | | | | |
|------------|--------|---------|-------|----------|
| D. 54,447 | 2/1920 | Nelson | | D21/77 |
| D. 55,434 | 6/1920 | Peoples | | D21/77 |
| D. 135,194 | 3/1943 | Aronoff | | D10/74 |
| 2,012,424 | 8/1935 | Fincke | | D21/87 X |

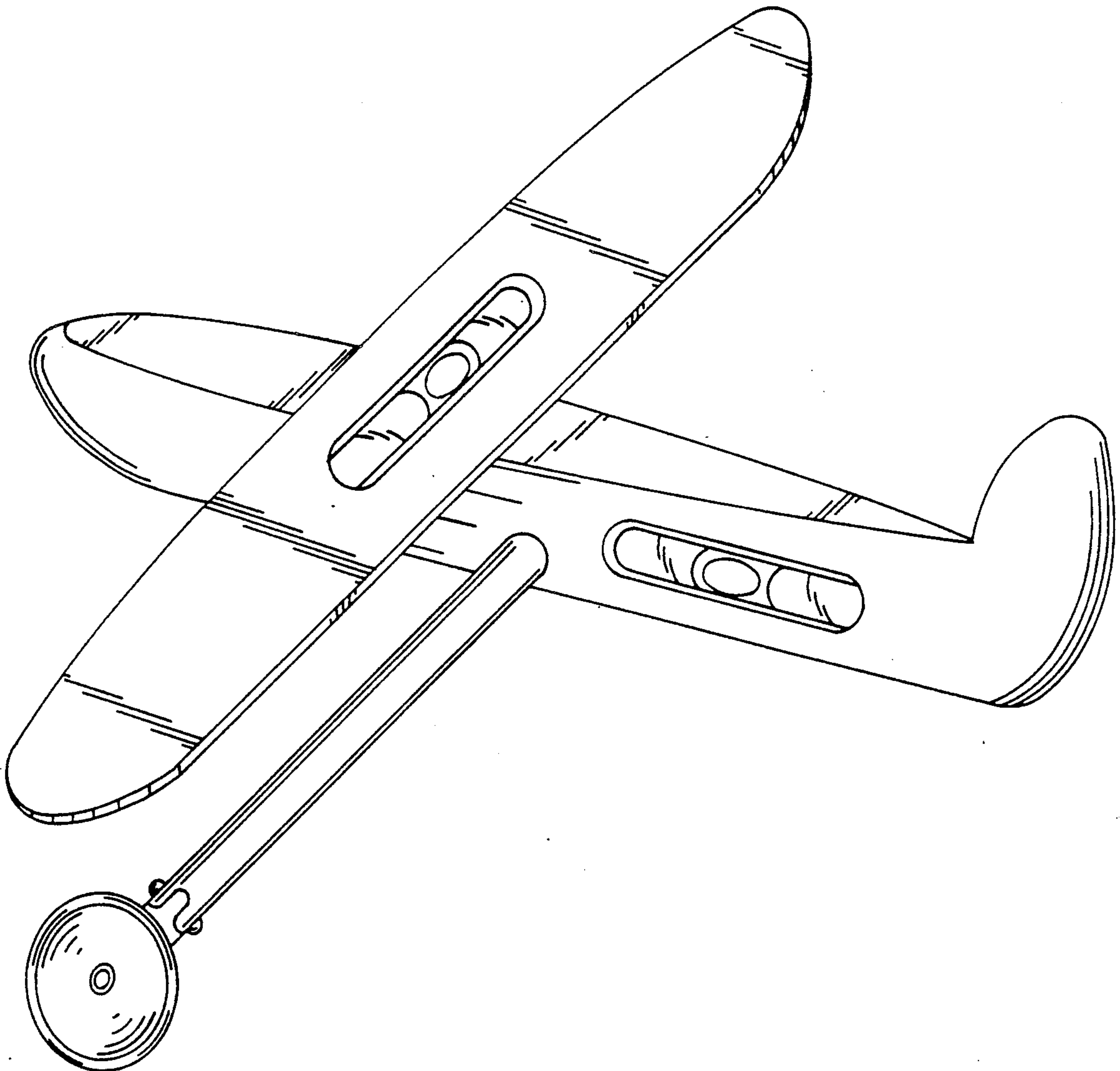
Primary Examiner—Nelson C. Holtje
Assistant Examiner—Gary D. Watson
Attorney, Agent, or Firm—Kenneth D. Baugh

[57] CLAIM

The ornamental design for an airplane level, as shown and described.

DESCRIPTION

FIG. 1 is a top right side perspective view of an Airplane Level showing my new design; FIG. 2 is a top left side perspective view; and FIG. 3 is a bottom right side perspective view thereof.



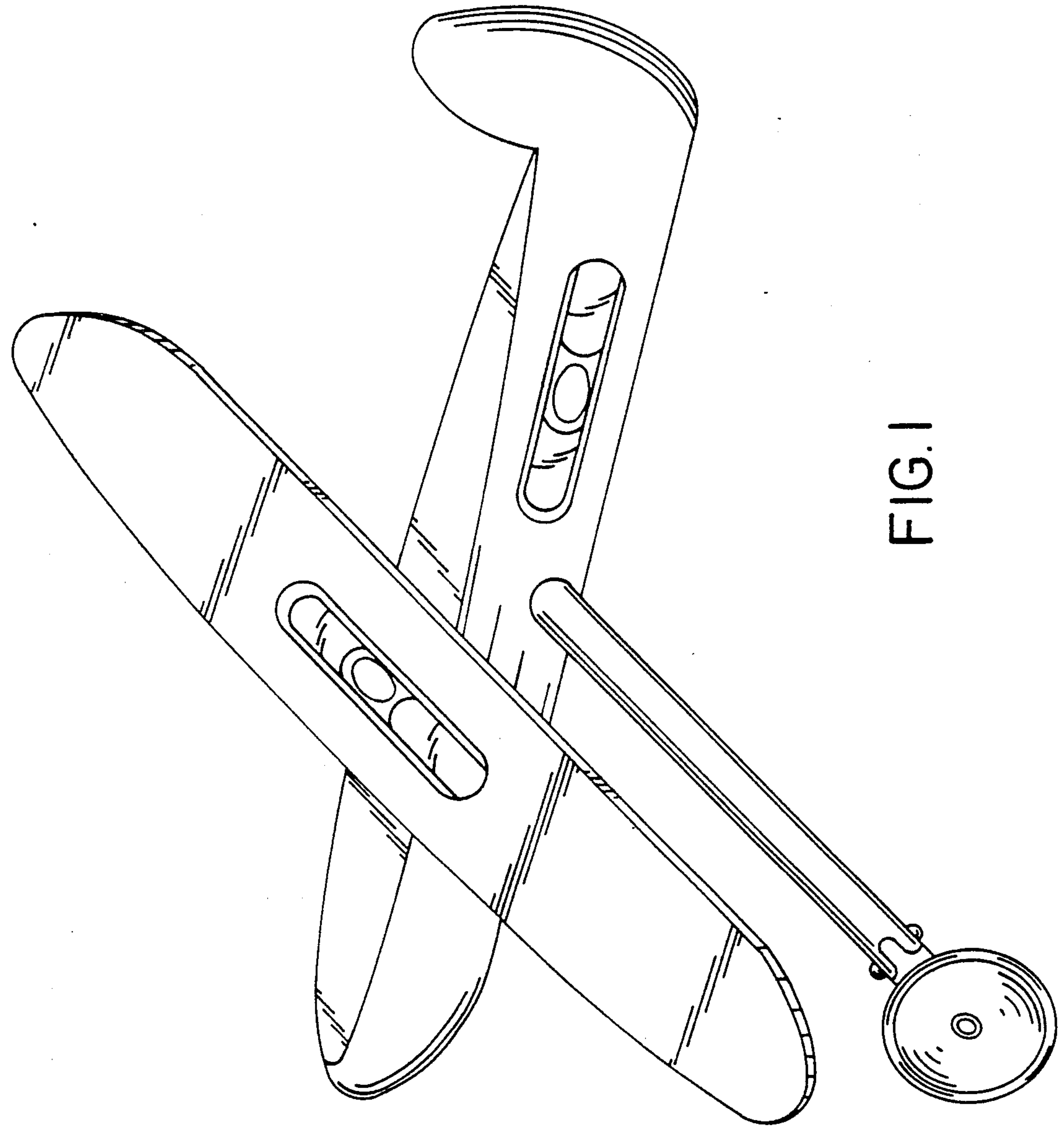


FIG. 1

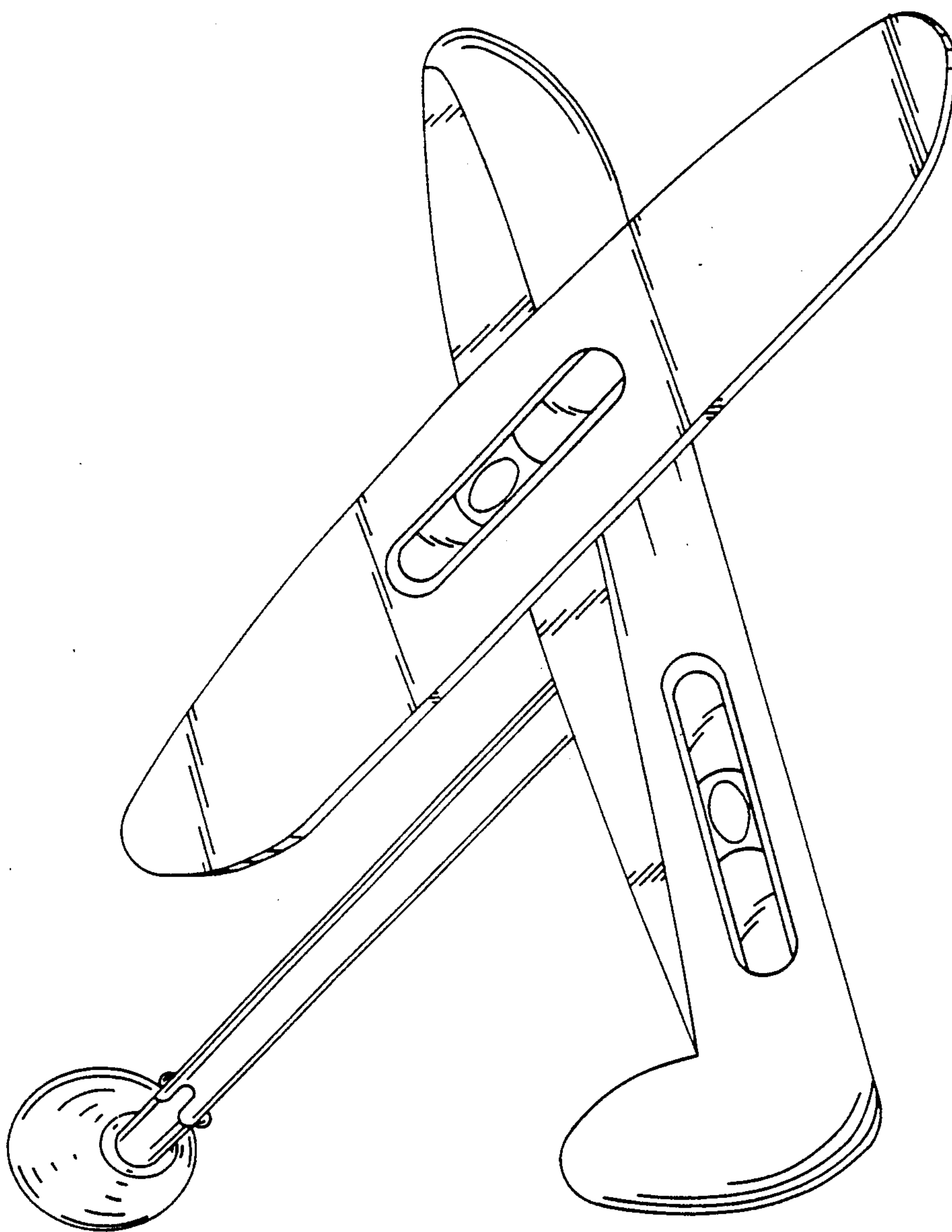


FIG. 2

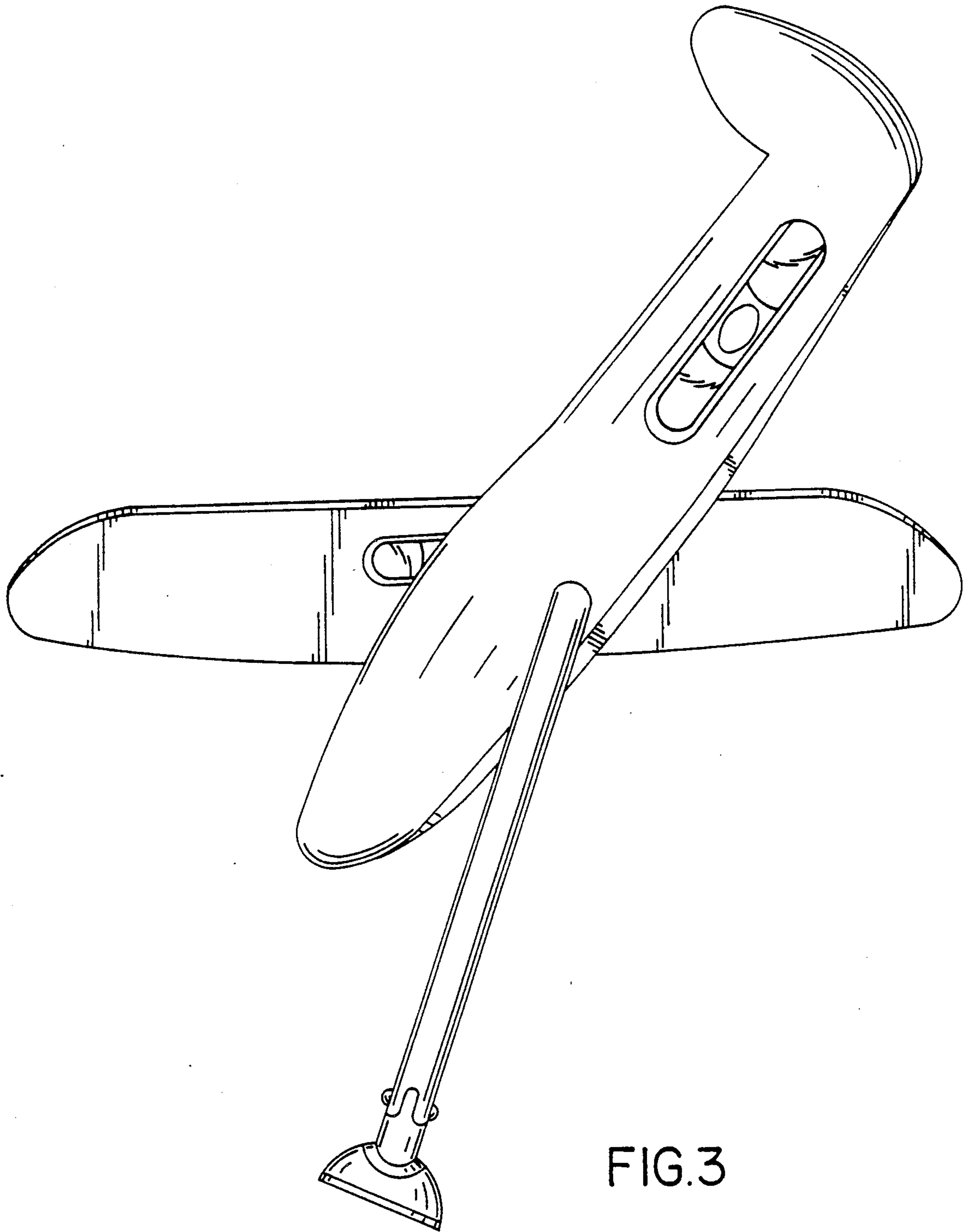


FIG. 3