

[54] **CLOCK**

[75] **Inventor: Seiji Odaka, Tokyo, Japan**

[73] **Assignee: Seikosha Co., Ltd., Japan**

[\*\*] **Term: 14 Years**

[21] **Appl. No.: 348,019**

[22] **Filed: May 5, 1989**

[30] **Foreign Application Priority Data**

Dec. 2, 1988 [JP] Japan ..... 63-47143  
[52] **U.S. Cl. .... D10/28**  
[58] **Field of Search .... D10/1-40,**  
D10/122-132; 368/276-277, 280-282, 288

[56] **References Cited**

**U.S. PATENT DOCUMENTS**

D. 102,581 12/1936 Schlenker ..... D10/28  
D. 107,406 12/1937 Bruce ..... D10/28  
D. 166,297 4/1952 Bruce ..... D10/28 X  
D. 315,686 3/1991 Imai ..... D10/28  
D. 316,049 4/1991 Kato ..... D10/28  
D. 316,373 4/1991 Odaka ..... D10/28  
1,650,123 11/1927 Gritton ..... D10/28

**FOREIGN PATENT DOCUMENTS**

0061976 4/1982 Japan ..... 368/277

**OTHER PUBLICATIONS**

*Home Furn. Daily*-3/30/87-p. 116-Clock at top.  
*Jeweler's Circular-Keystone*-4/88 p. 38-Clocks at top--  
right.

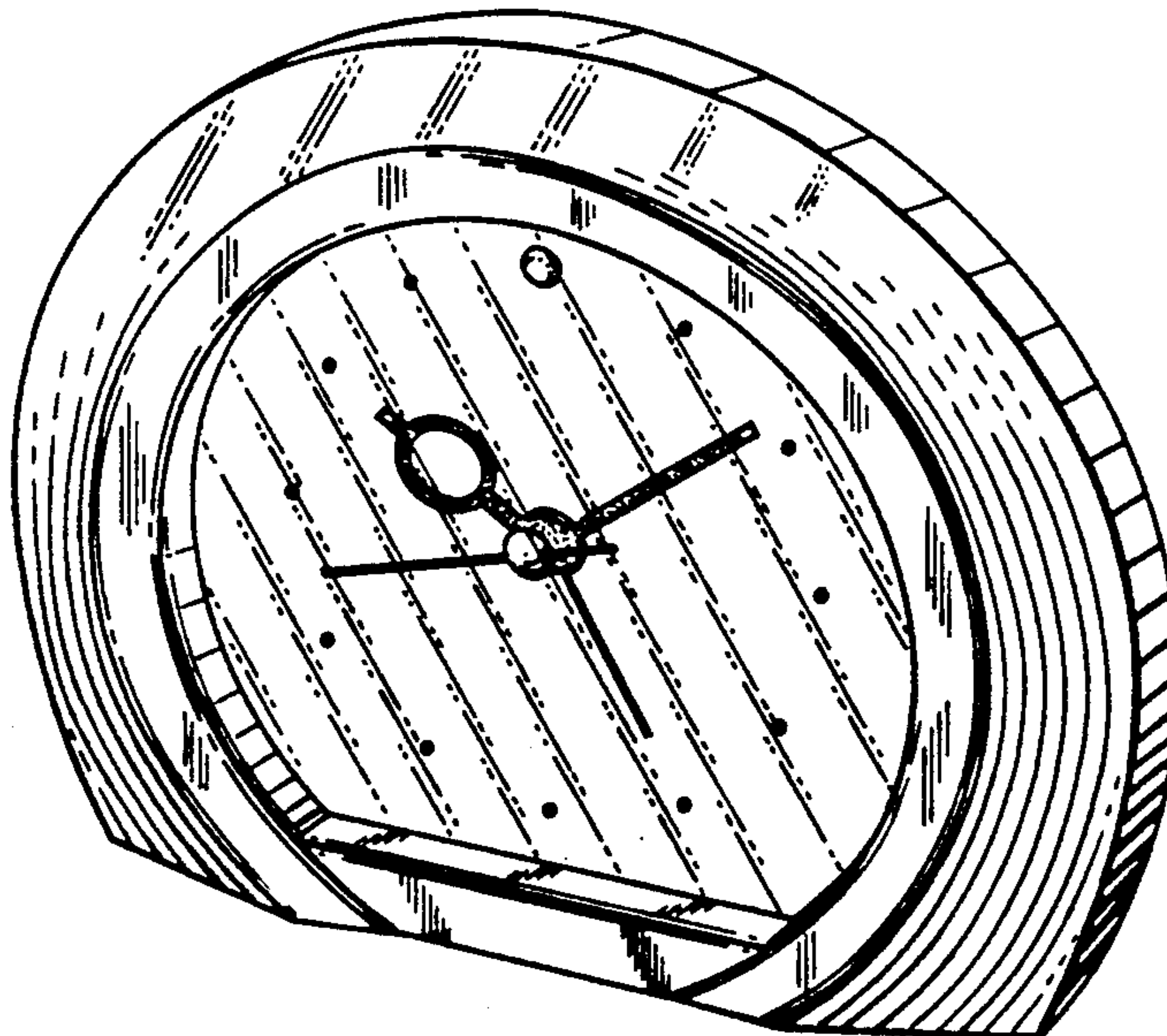
*Primary Examiner*-Nelson C. Holtje  
*Attorney, Agent, or Firm*-Bruce L. Adams; Van C.  
Wilks

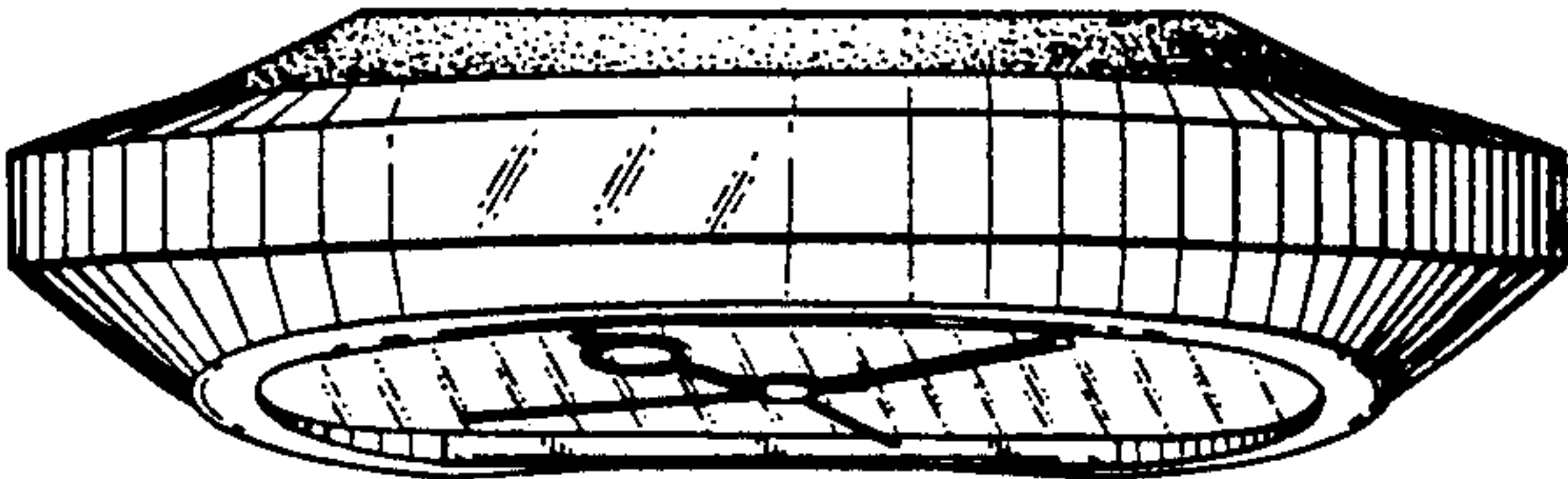
[57] **CLAIM**

The ornamental design for a clock, as shown and de-  
scribed.

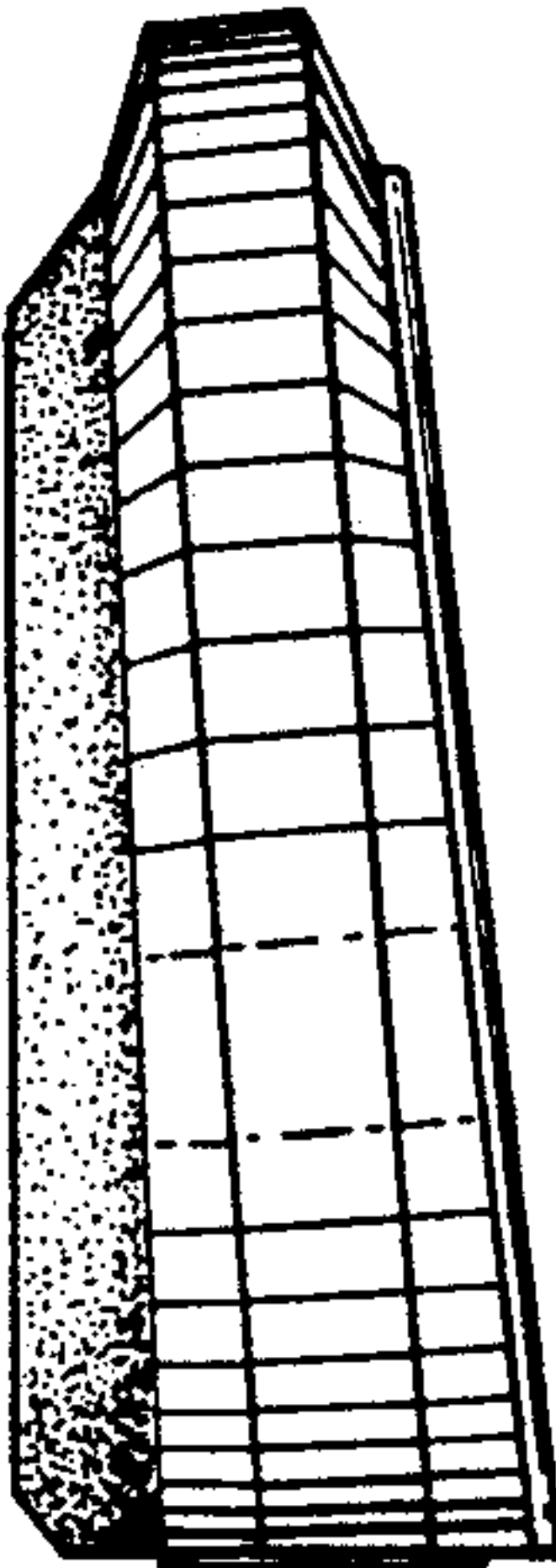
**DESCRIPTION**

FIG. 1 is a front elevational view of a clock showing my  
new design;  
FIG. 2 is a rear elevational view thereof;  
FIG. 3 is a top plan view thereof;  
FIG. 4 is a bottom plan view thereof; and  
FIG. 5 is a left side elevational view thereof;  
FIG. 6 is a right side elevational view thereof; and  
FIG. 7 is a front right perspective view thereof.

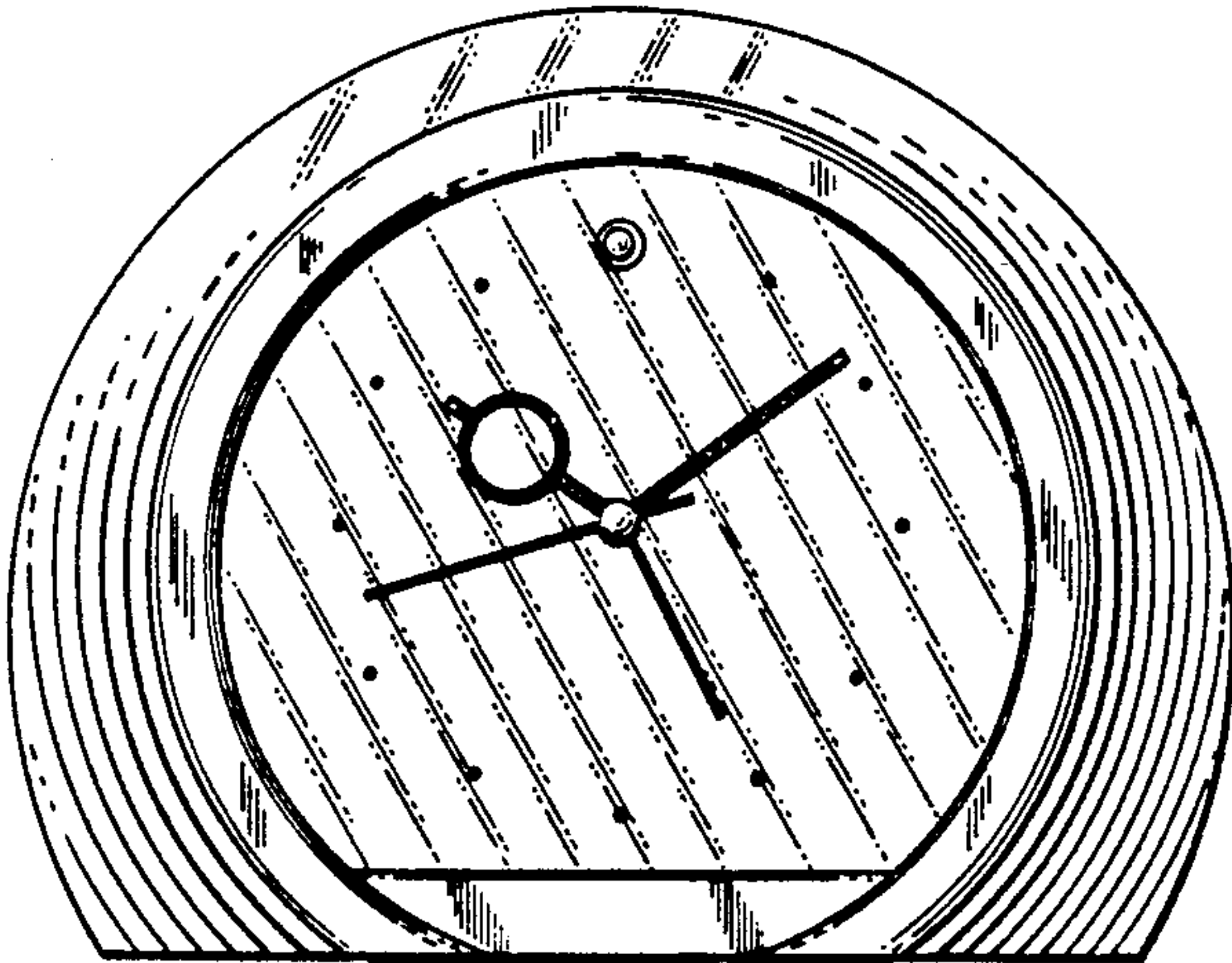




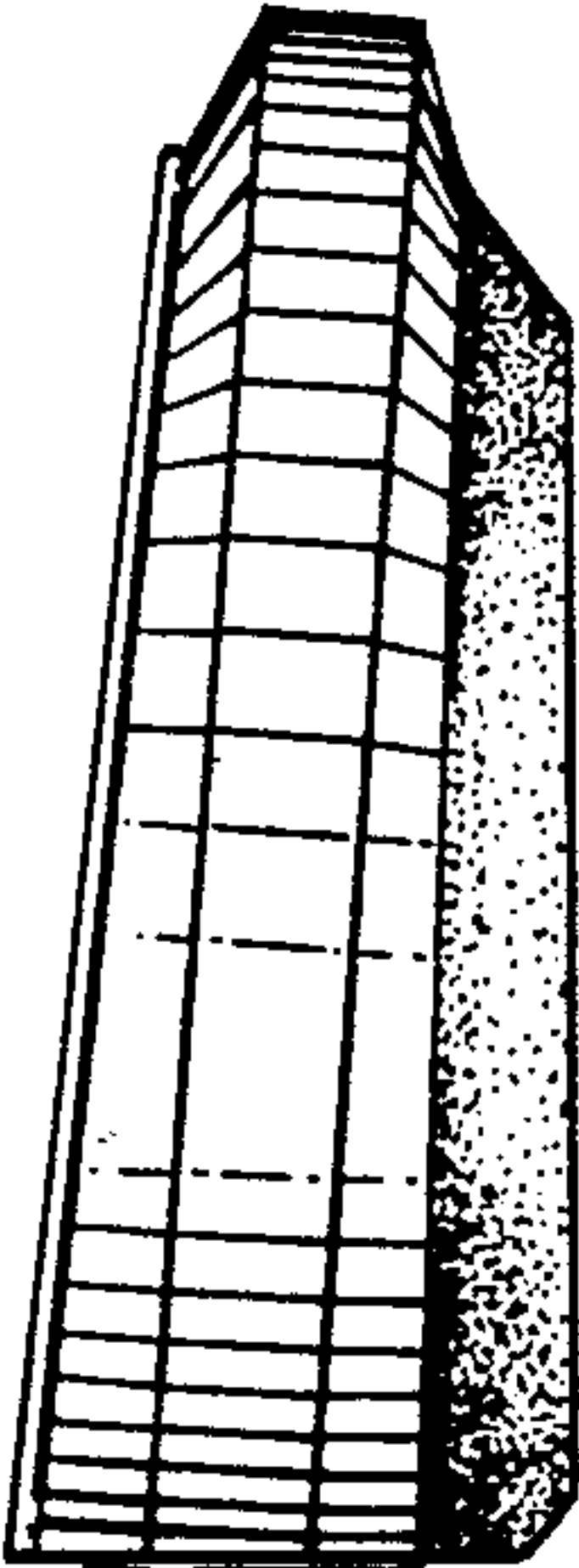
*FIG. 3*



*FIG. 5*



*FIG. 1*

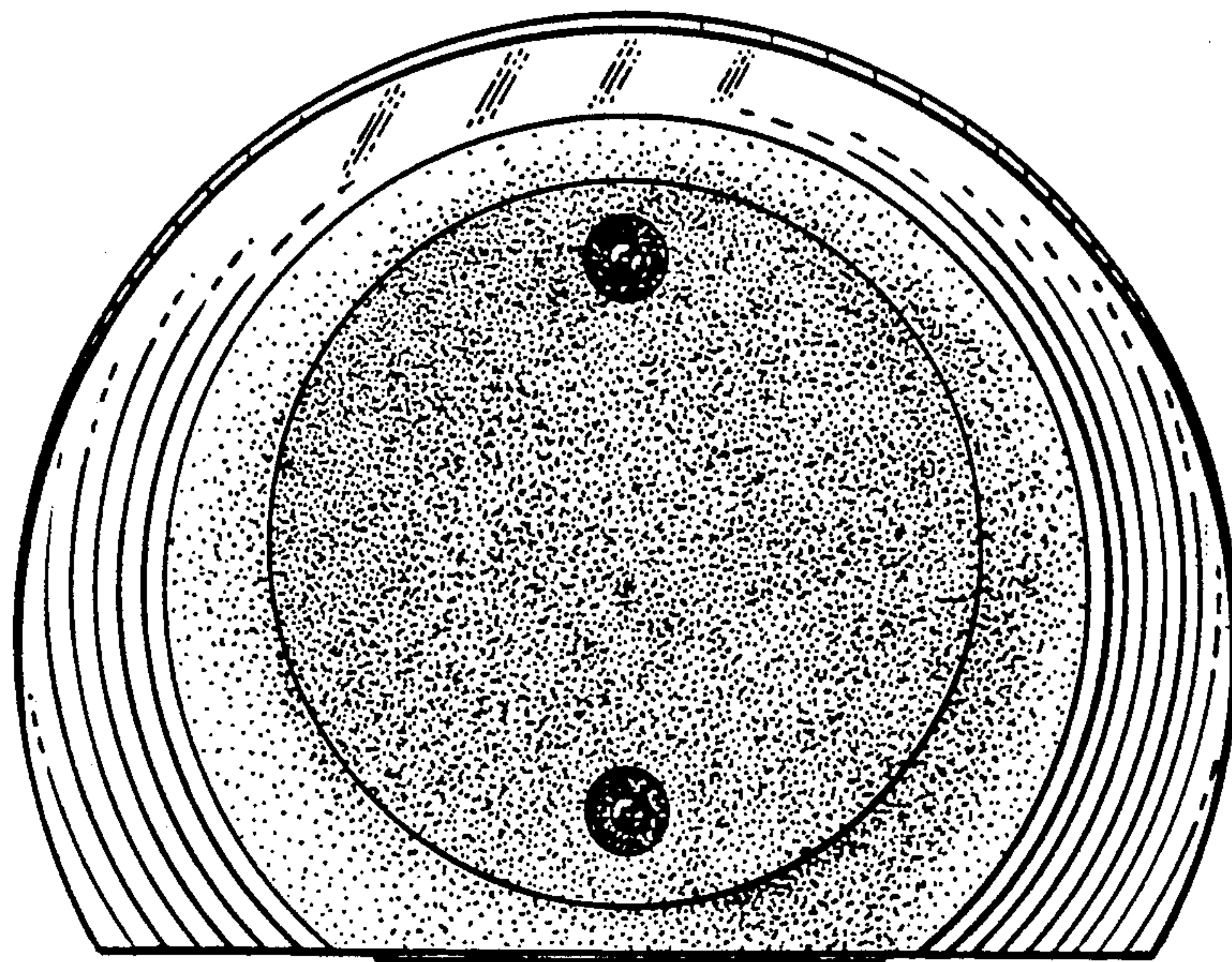


*FIG. 6*

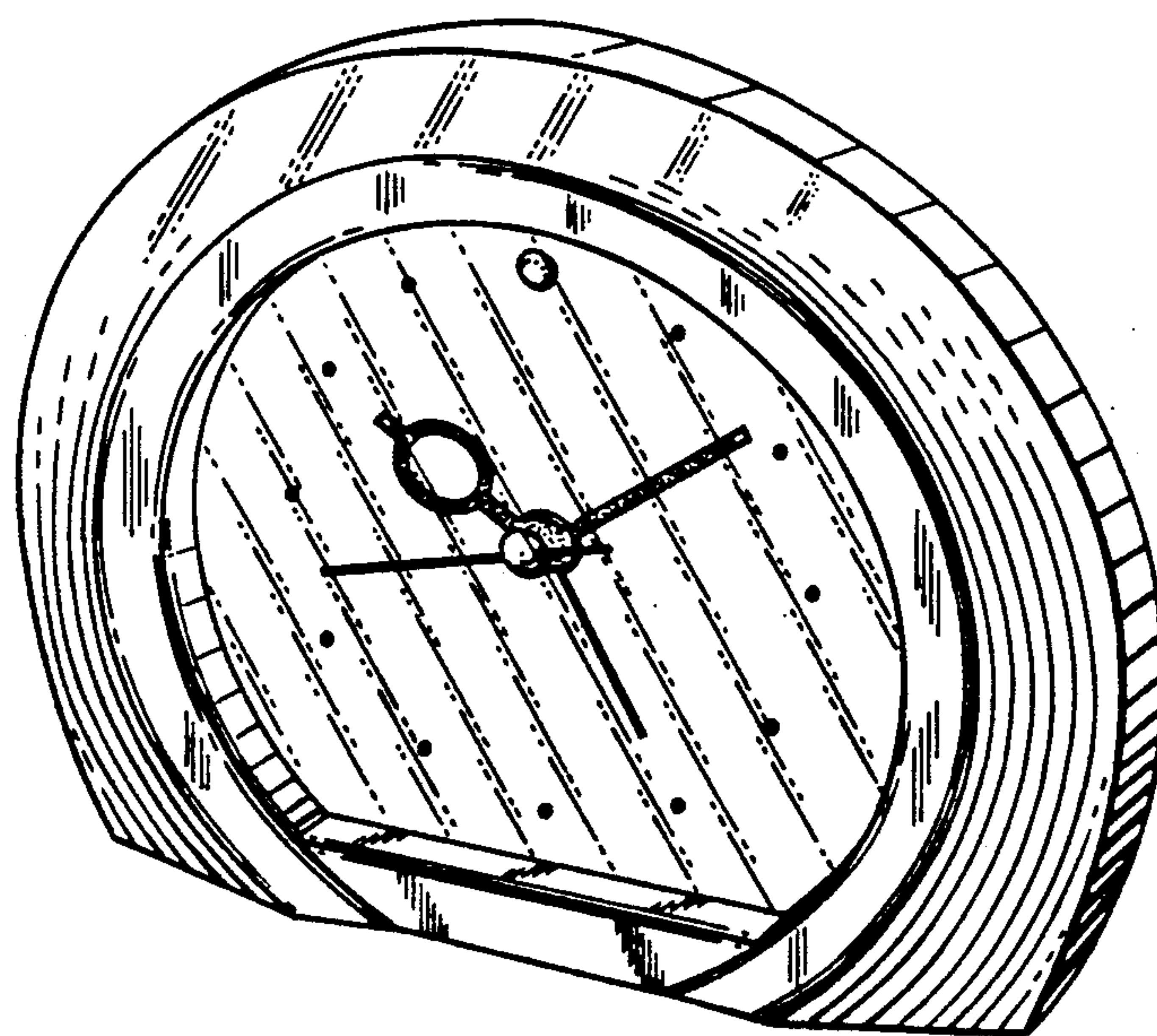


*FIG. 4*





**FIG. 2**



**FIG. 7**