

[54] CONTAINER

[75] Inventor: Maurice C. Groves, Brisbane,  
Australia

[73] Assignee: Amcor Limited, South Melbourne,  
Australia

[\*\*] Term: 14 Years

[21] Appl. No.: 356,280

[22] Filed: May 23, 1989

[30] Foreign Application Priority Data

Feb. 8, 1989 [AU] Australia ..... 325/89

[52] U.S. Cl. .... D9/433; D9/423

[58] Field of Search ..... D9/433, 432, 431, 420,  
D9/423, 341; 229/114, 2.5 R, 902, DIG. 13,  
125.29, 125.27, 146, 906; 206/521.1, 521.2

[56] References Cited

U.S. PATENT DOCUMENTS

D. 244,833 6/1977 Persson ..... D9/423  
D. 245,399 8/1977 Walker ..... D9/341

D. 284,067 6/1986 Schuster ..... D9/433  
D. 311,333 10/1990 Fultz et al. .... D9/423  
D. 311,337 10/1990 Rigby ..... D9/433  
4,856,707 8/1989 Lorenz ..... 229/114  
4,877,178 10/1989 Eisman ..... 229/114  
4,930,681 6/1990 Fultz et al. .... 229/114  
4,955,527 9/1990 Blackman et al. .... 229/114

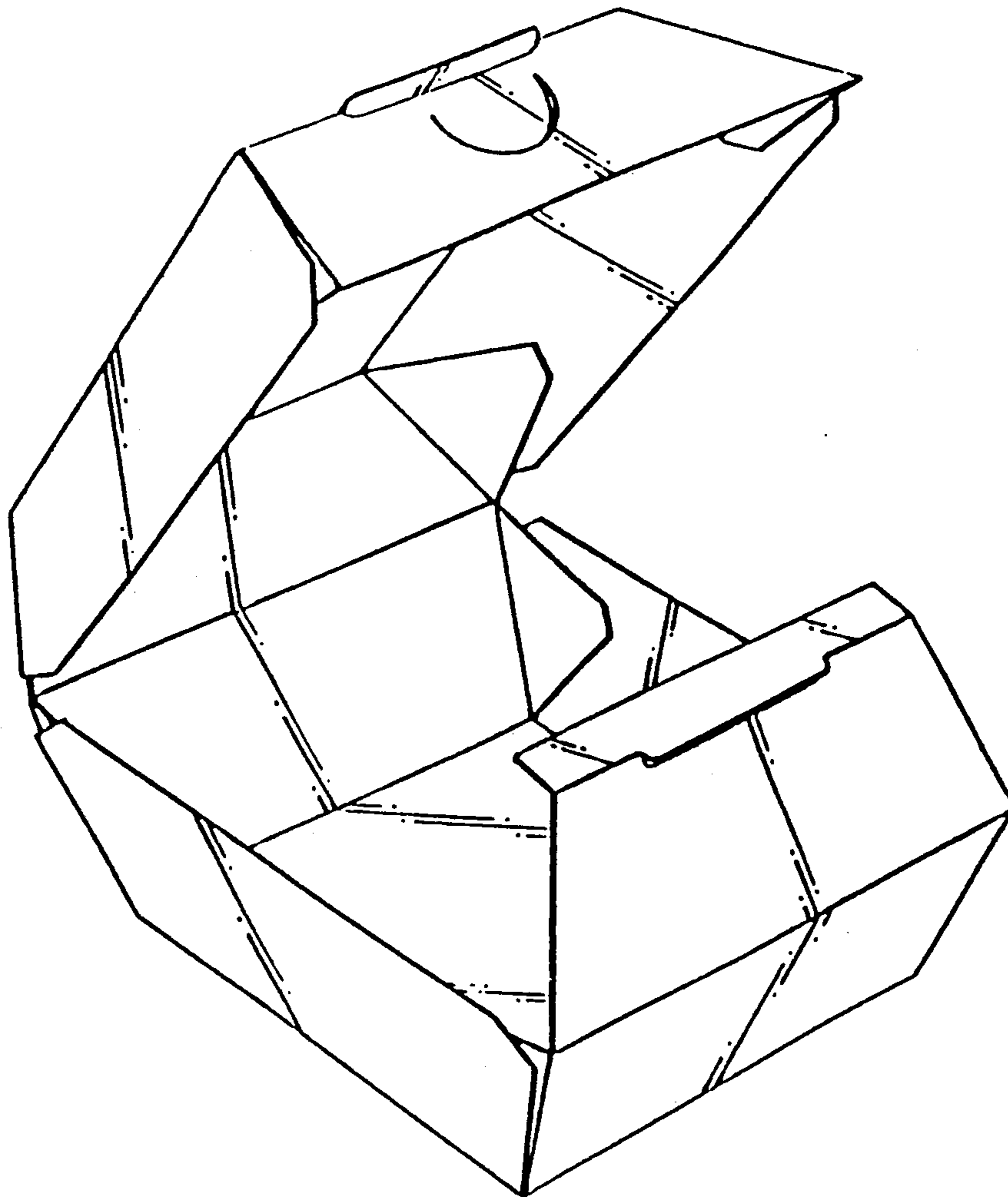
Primary Examiner—Bernard Ansher  
Assistant Examiner—Prabhakar Deshmukh  
Attorney, Agent, or Firm—DeLio & Associates

[57] CLAIM

The ornamental design for a container, as shown and described.

DESCRIPTION

FIG. 1 is a blank of a container showing my new design; FIG. 2 is a top perspective view showing the blank in an assembled condition; FIG. 3 is a bottom perspective view thereof; and FIG. 4 is a top perspective view thereof; shown in partially open position. The lines of alternating short and long dashes in FIG. 1 represent fold lines.



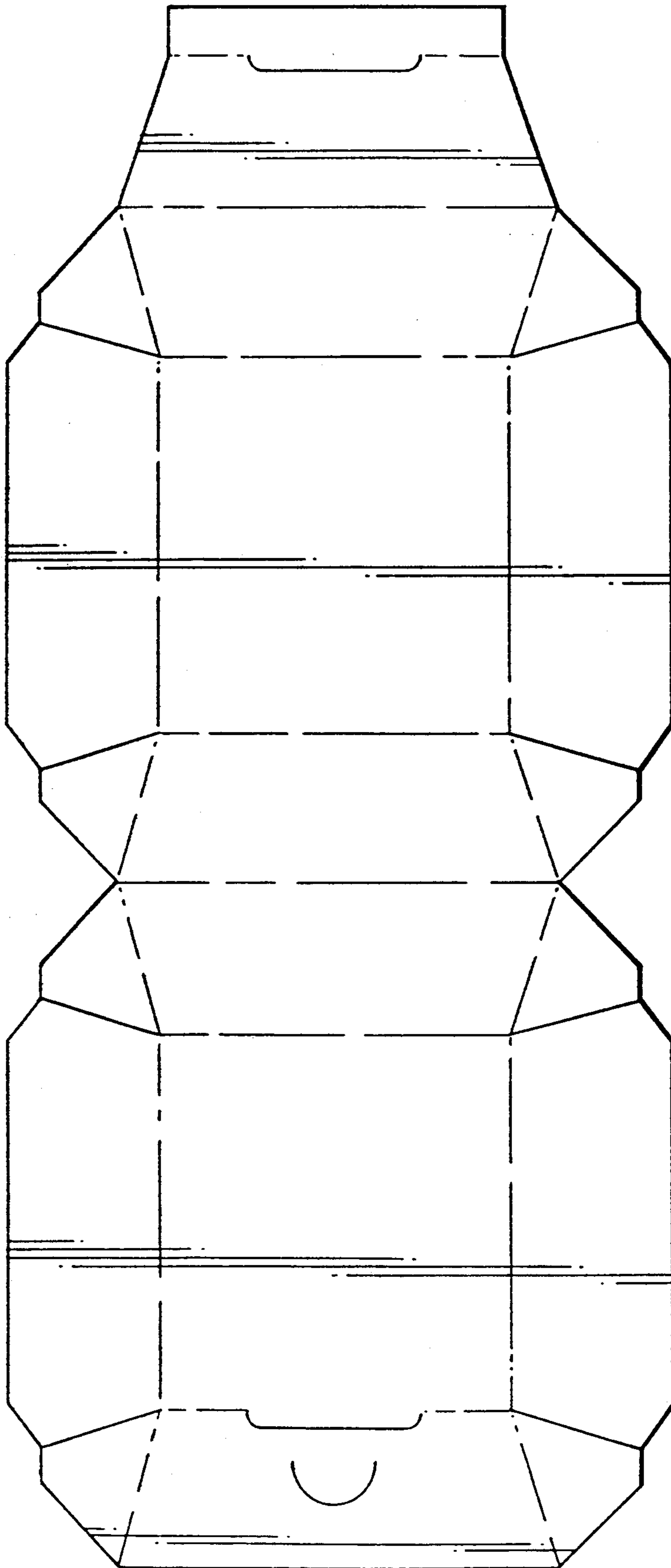
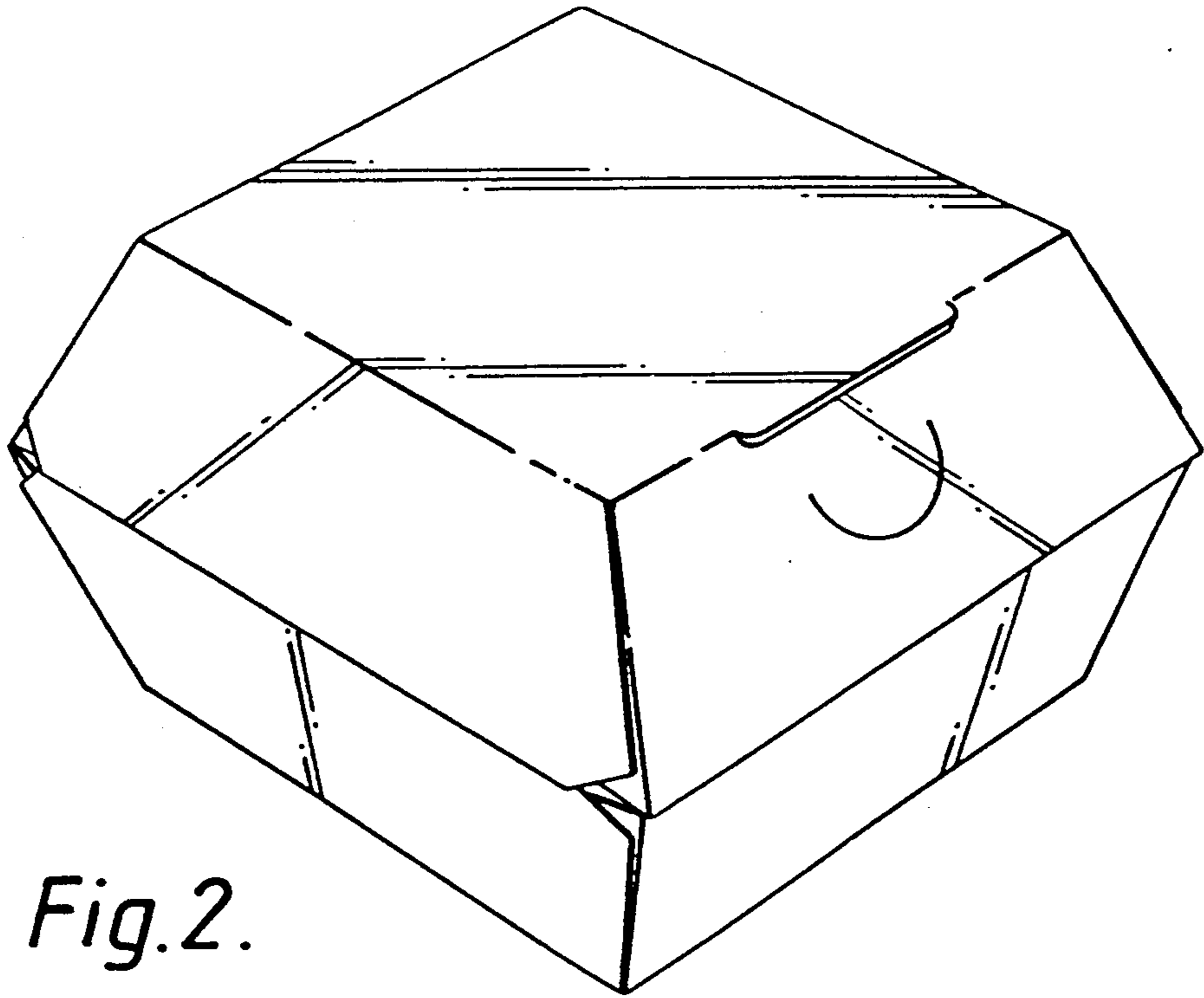
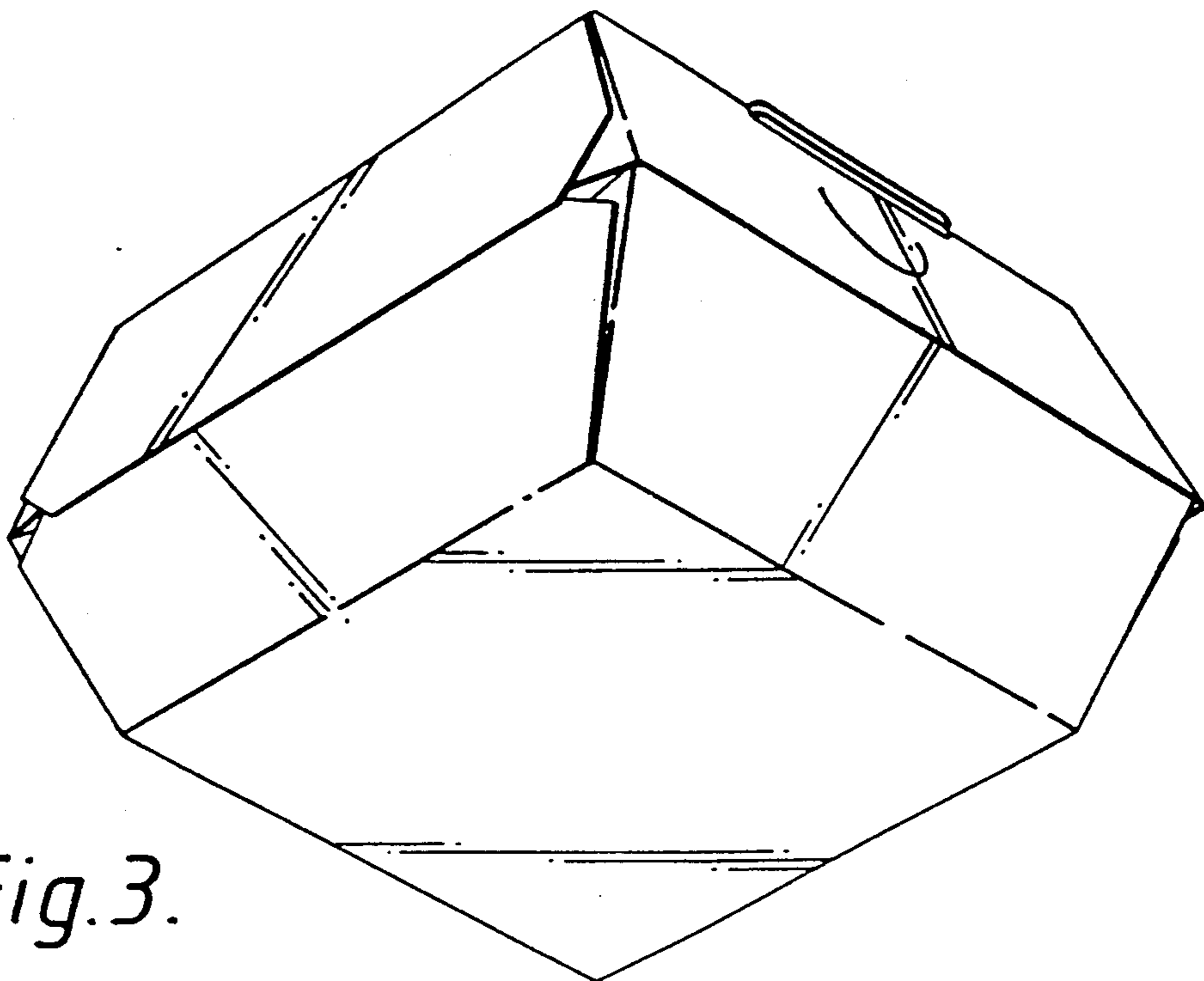


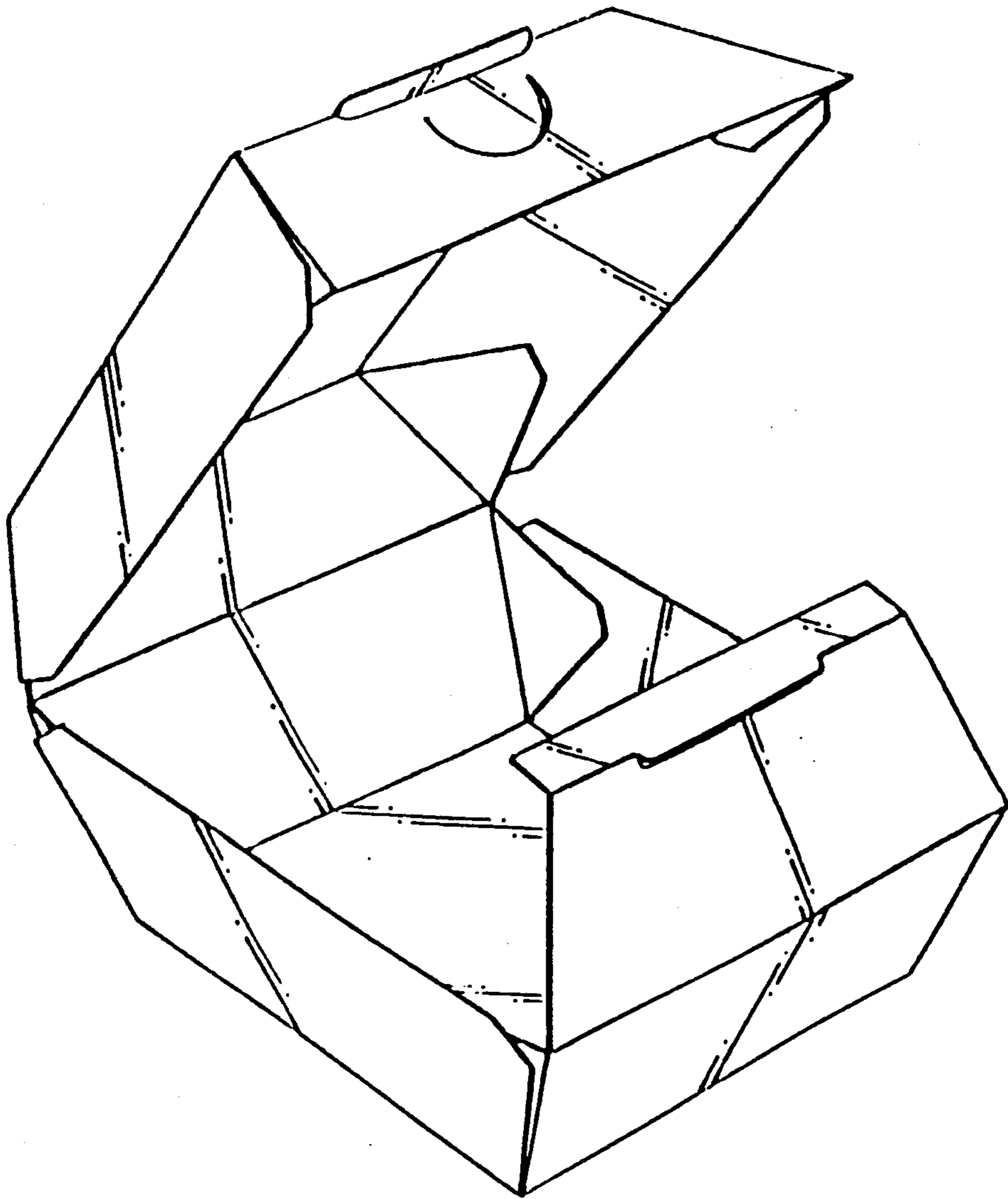
Fig. 1.



*Fig. 2.*



*Fig. 3.*



*Fig.4.*