

[54] PERFUME BOTTLE OR SIMILAR ARTICLE

[76] Inventor: Jean-Jacques Durand, LaBute,
62510, Arques, France

[**] Term: 14 Years

[21] Appl. No.: 517,614

[22] Filed: May 2, 1990

[52] U.S. Cl. D9/403; D9/384;
D9/406

[58] Field of Search D9/403-413,
D9/384-386, 307, 335; 215/1 R, 1 C

[56] References Cited

U.S. PATENT DOCUMENTS

- D. 27,884 11/1897 St. George D9/401
- D. 49,236 6/1916 Vivaudou D9/406
- D. 97,720 12/1935 Smith D9/408
- D. 125,638 3/1941 Kihn D9/384
- D. 154,533 7/1949 Lescinskis D9/307

- D. 257,124 9/1980 Grip D9/307
- D. 290,687 7/1987 Llorente D9/385
- D. 306,971 4/1990 Daucourt D9/384

Primary Examiner—Melvin B. Feifer
Assistant Examiner—Lucy Lieberman
Attorney, Agent, or Firm—Thomas A. Lennox

[57] CLAIM

The ornamental design for a perfume bottle or similar article, as shown and described.

DESCRIPTION

FIG. 1 is a front elevational view of a perfume bottle or similar article showing my new design, the rear view being the same;
FIG. 2 is a right side elevation thereof, with the left side being the same;
FIG. 3 is a top plan view thereof;
FIG. 4 is a bottom plan view thereof; and
FIG. 5 is a cross-sectional view taken along lines 5—5 of FIG. 3.

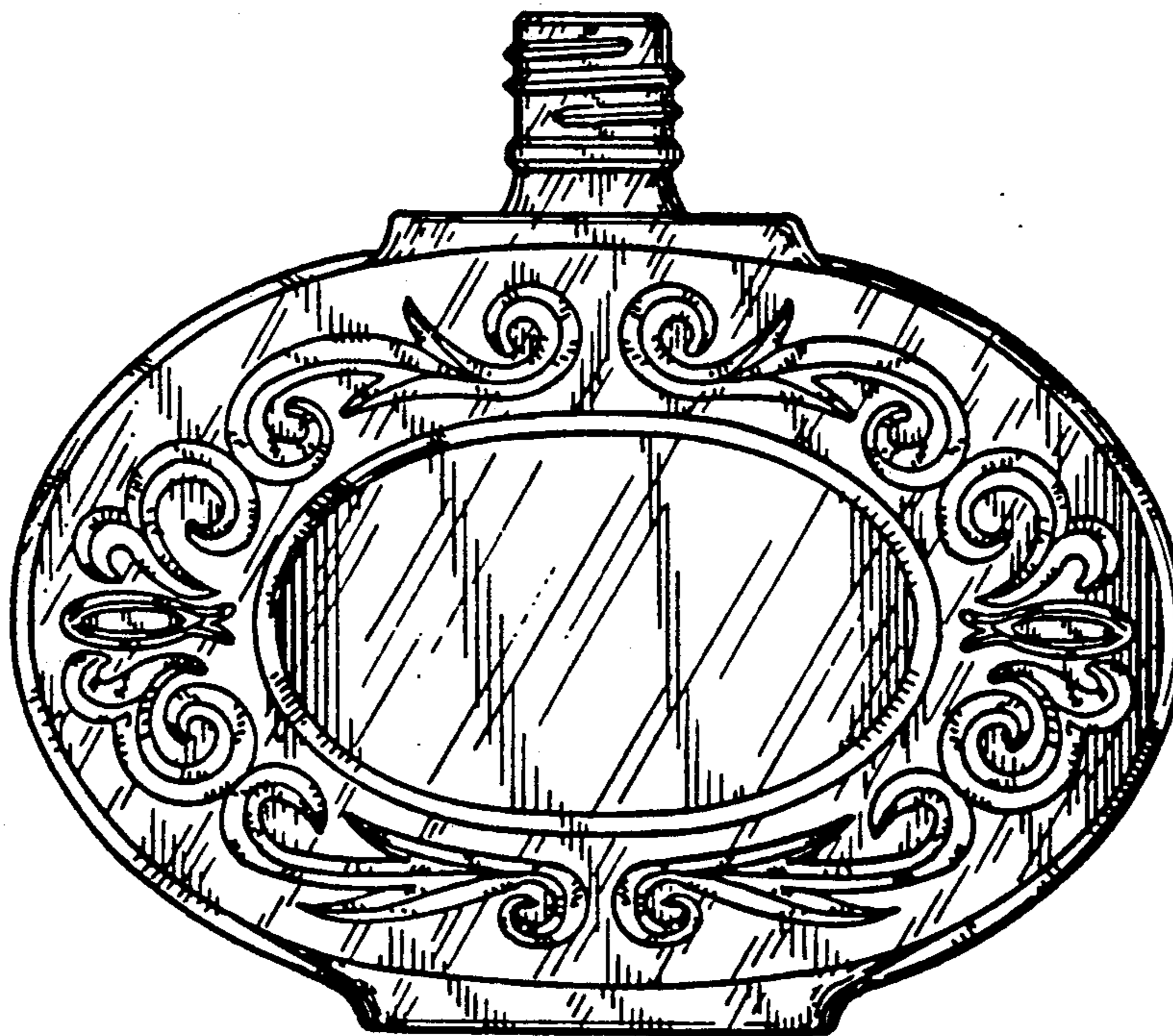


Fig. 1

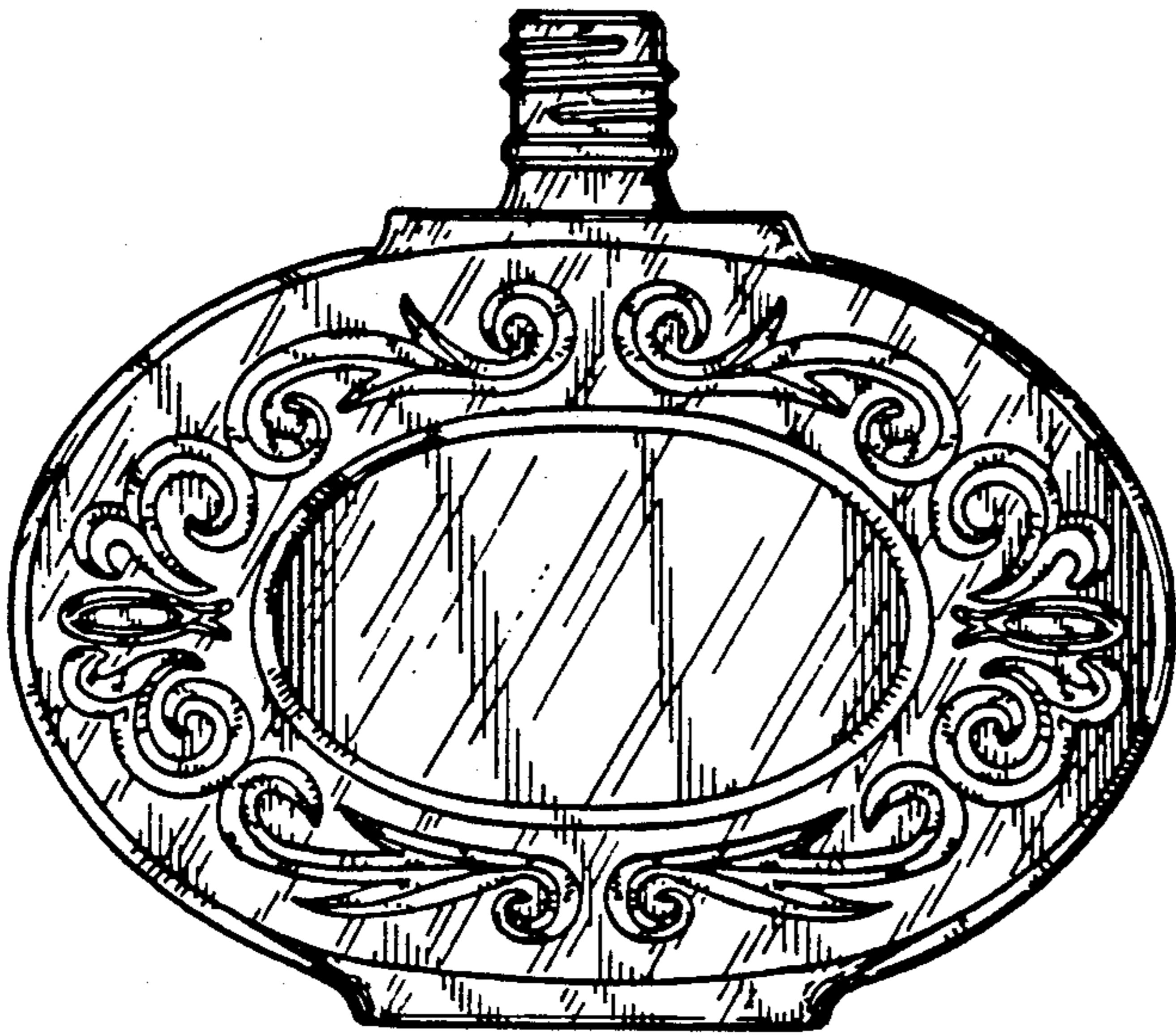


Fig. 2

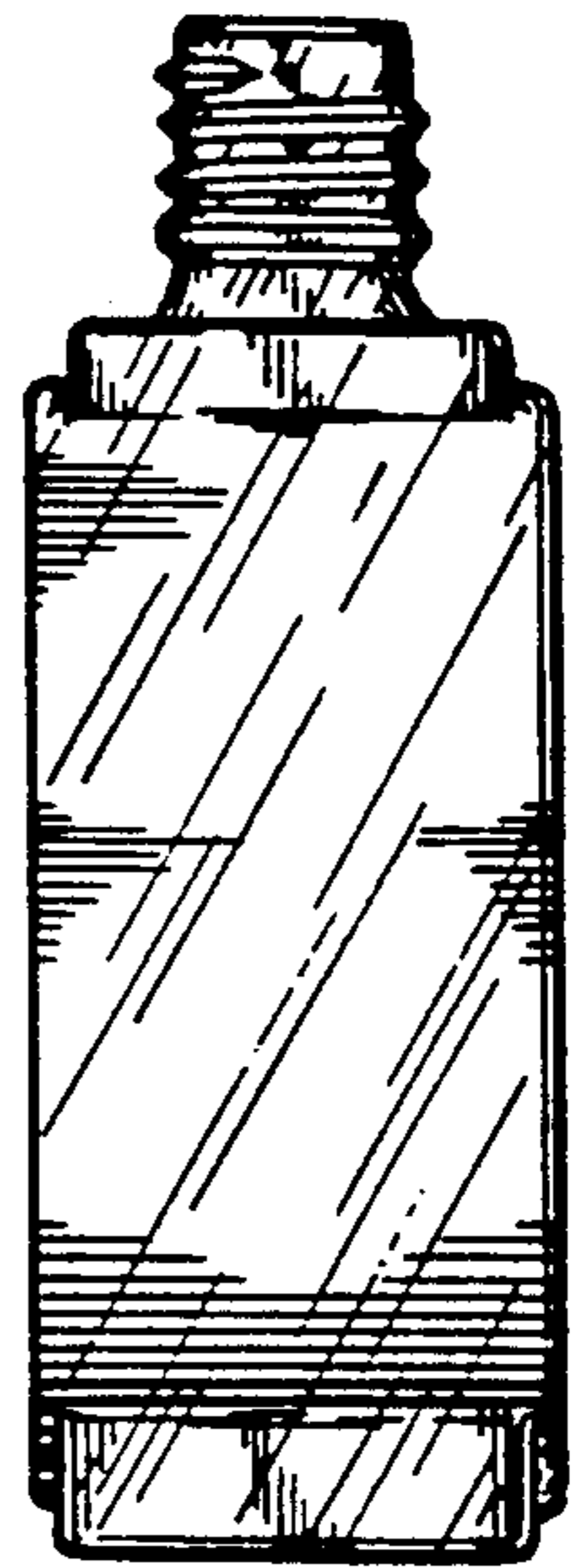


Fig. 3

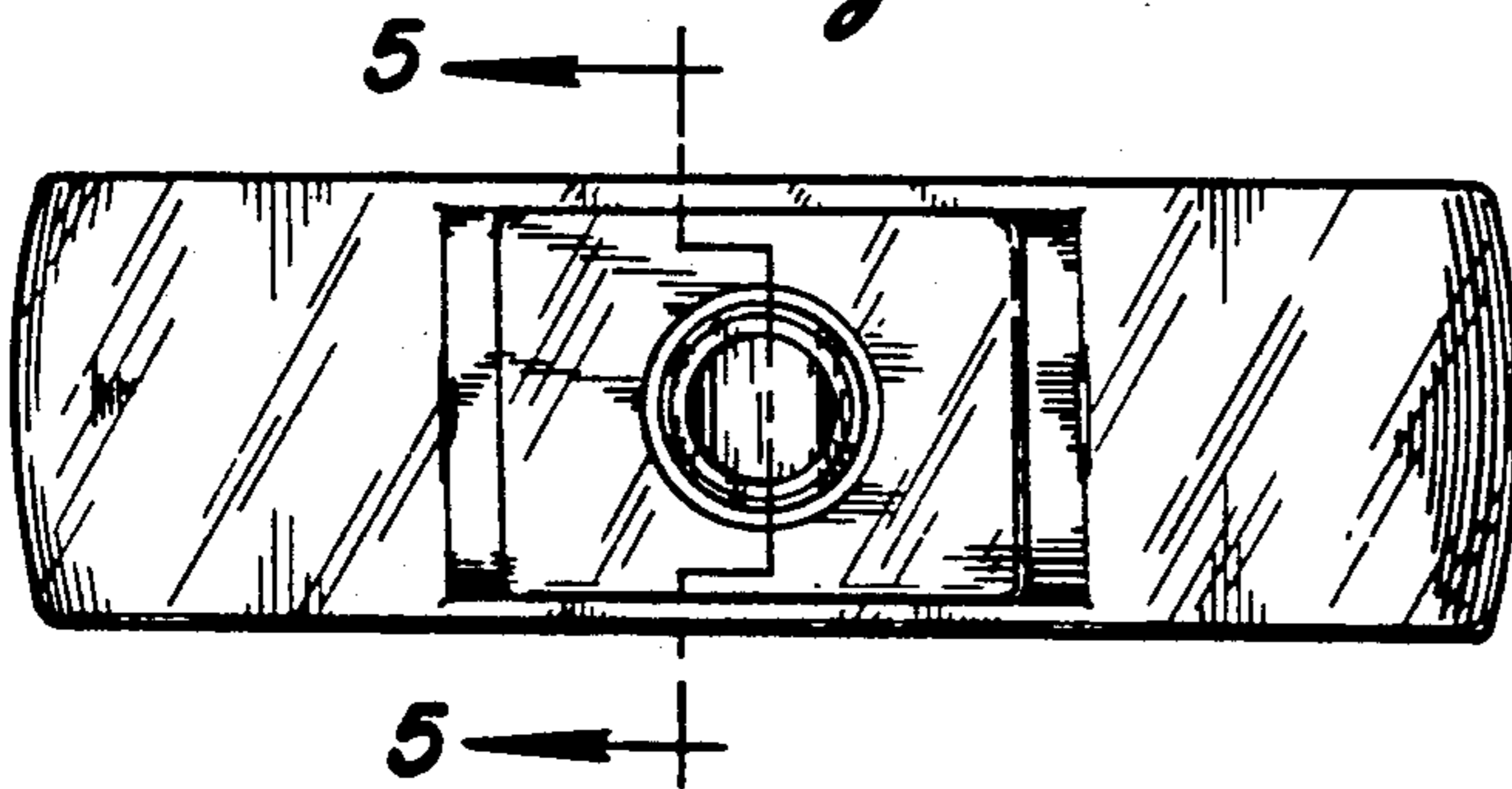


Fig. 5

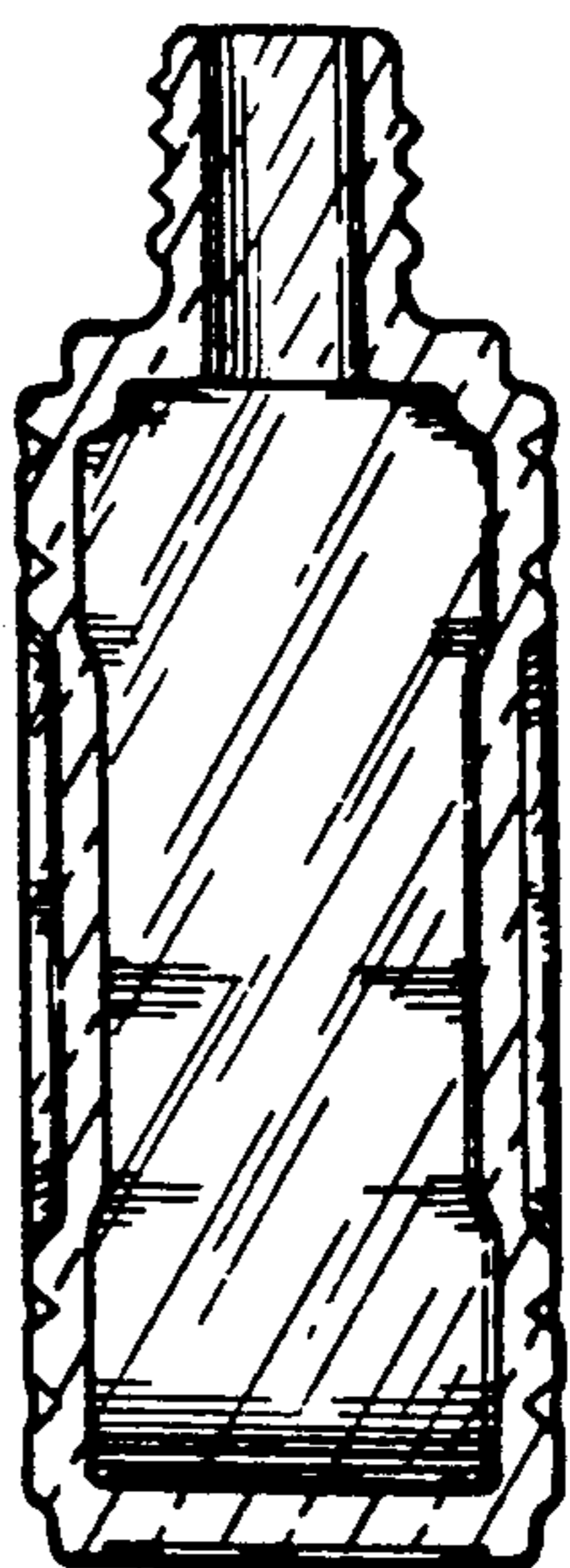


Fig. 4

