

[54] BOTTLE

[75] Inventors: **Piera Grandesso; Lorraine Ferguson; Ivan Chermayeff**, all of New York, N.Y.

[73] Assignee: **Liz Claiborne, Inc.**, New York, N.Y.

[**] Term: **14 Years**

[21] Appl. No.: **500,845**

[22] Filed: **Mar. 29, 1990**

[52] U.S. Cl. **D9/401; D9/307; D9/347; D9/386; D9/405**

[58] Field of Search **D9/347, 401, 405, 384-386, D9/375, 388, 403-413, 307, 367; 215/1 R, 1 C**

[56] **References Cited**

U.S. PATENT DOCUMENTS

D. 74,233	1/1928	Lewis	D9/405
D. 80,363	1/1930	Wagner	D9/375
D. 81,633	7/1930	Wagner	D9/386 X
D. 90,558	8/1933	Tricard	D9/401
D. 105,023	6/1937	McLaughlin	D9/405
D. 106,900	11/1937	Nuckols	D9/401
D. 168,932	3/1953	Frydlender	.	
D. 199,274	9/1964	DuPree	.	
D. 202,220	9/1965	DuPree	.	
D. 235,735	7/1975	Dinand	.	
D. 259,173	5/1981	Lauren	D9/401

D. 259,703	6/1981	Llorente	D9/384
D. 266,987	11/1982	Perez Carasa y Perez de Guzman	D9/300
D. 270,040	8/1983	Perez Carasa y Perez de Guzman	D9/413

Primary Examiner—Bernard Ansher
Assistant Examiner—Lucy Lieberman
Attorney, Agent, or Firm—Kirschstein, Ottinger, Israel & Schiffmiller

[57] **CLAIM**

The ornamental design for a bottle, as shown and described.

DESCRIPTION

FIG. 1 is a top, front and side perspective view of one embodiment of a bottle showing our new design; FIG. 2 is a top plan view of the embodiment of FIG. 1; FIG. 3 is a side view of the embodiment of FIG. 1, all side views being identical; FIG. 4 is a bottom plan view of the embodiment of FIG. 1; FIG. 5 is a top, front and side perspective view of another embodiment of the bottle; FIG. 6 is a top plan view of the embodiment of FIG. 5; FIG. 7 is a side view of the embodiment of FIG. 5, all side views being identical; and FIG. 8 is a bottom plan view of the embodiment of FIG. 5.

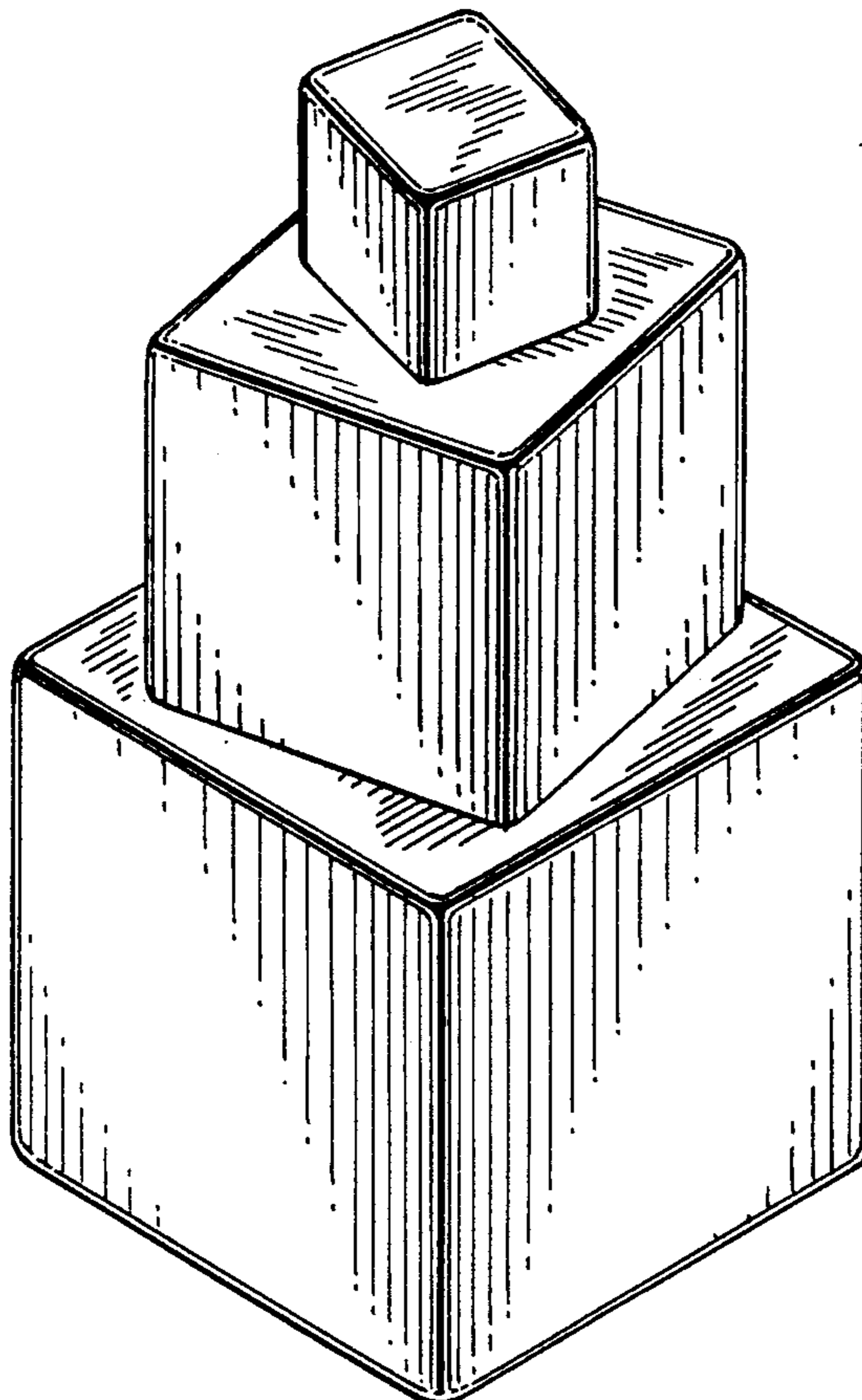


FIG. 1

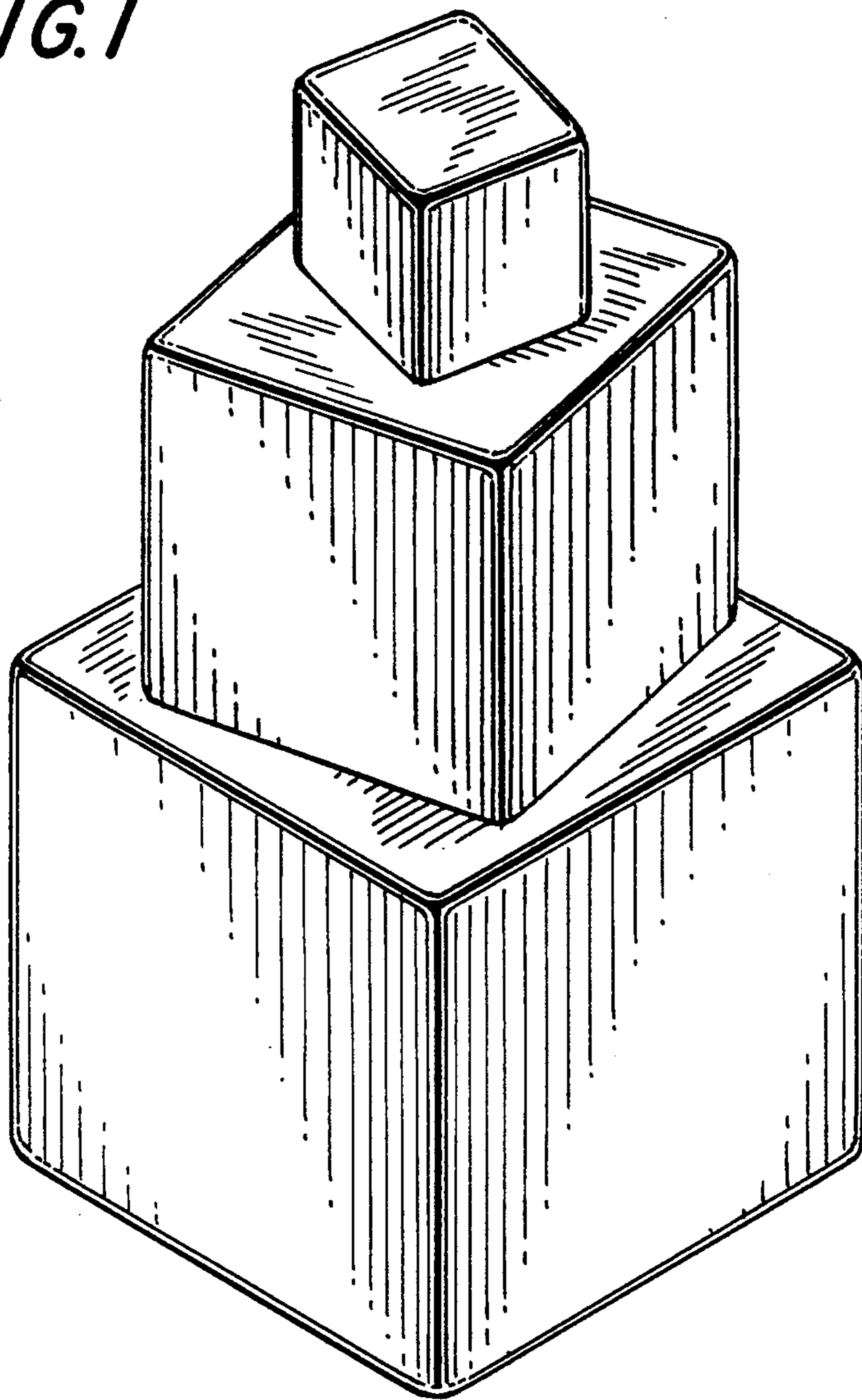


FIG. 2

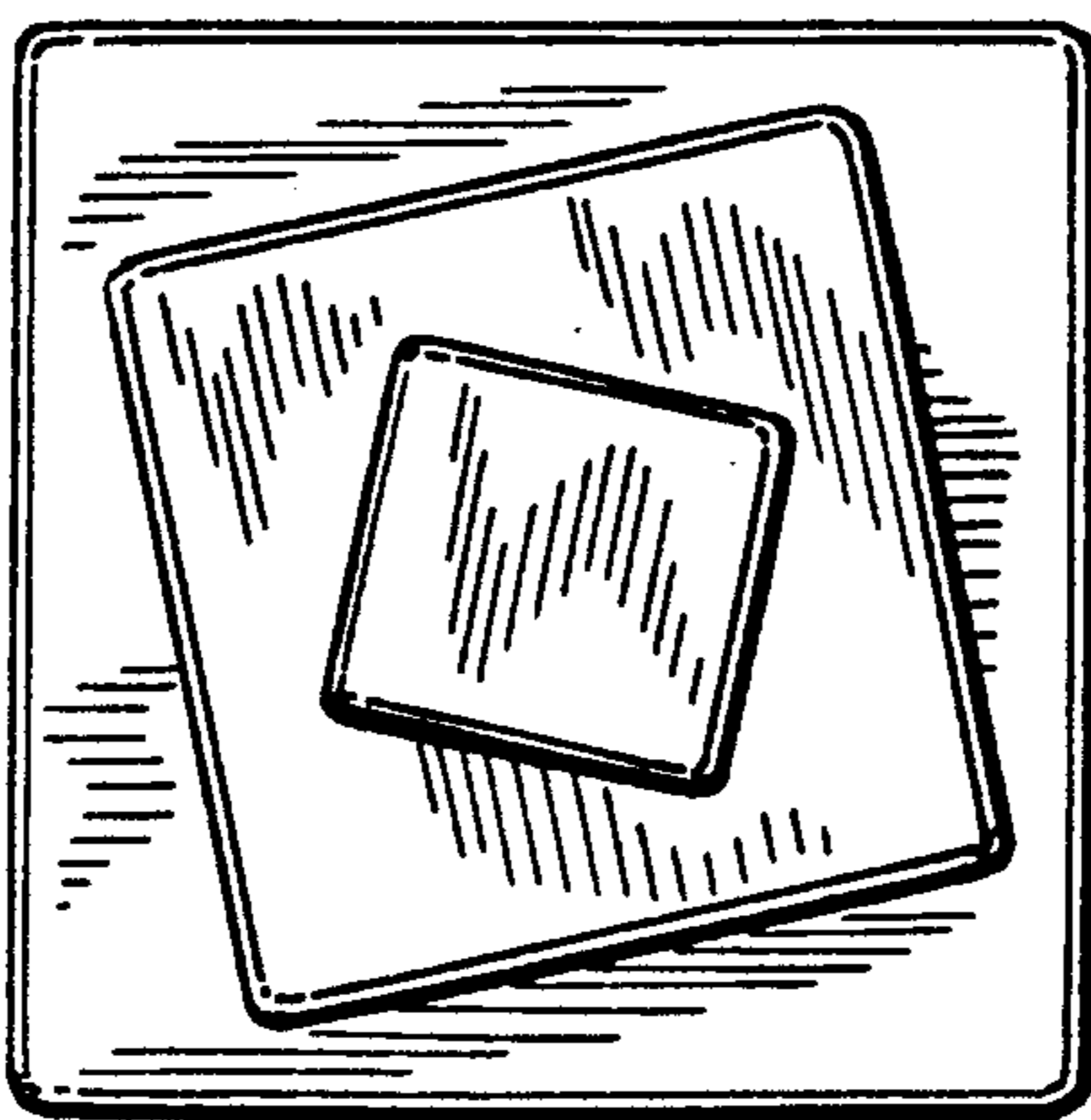


FIG. 3

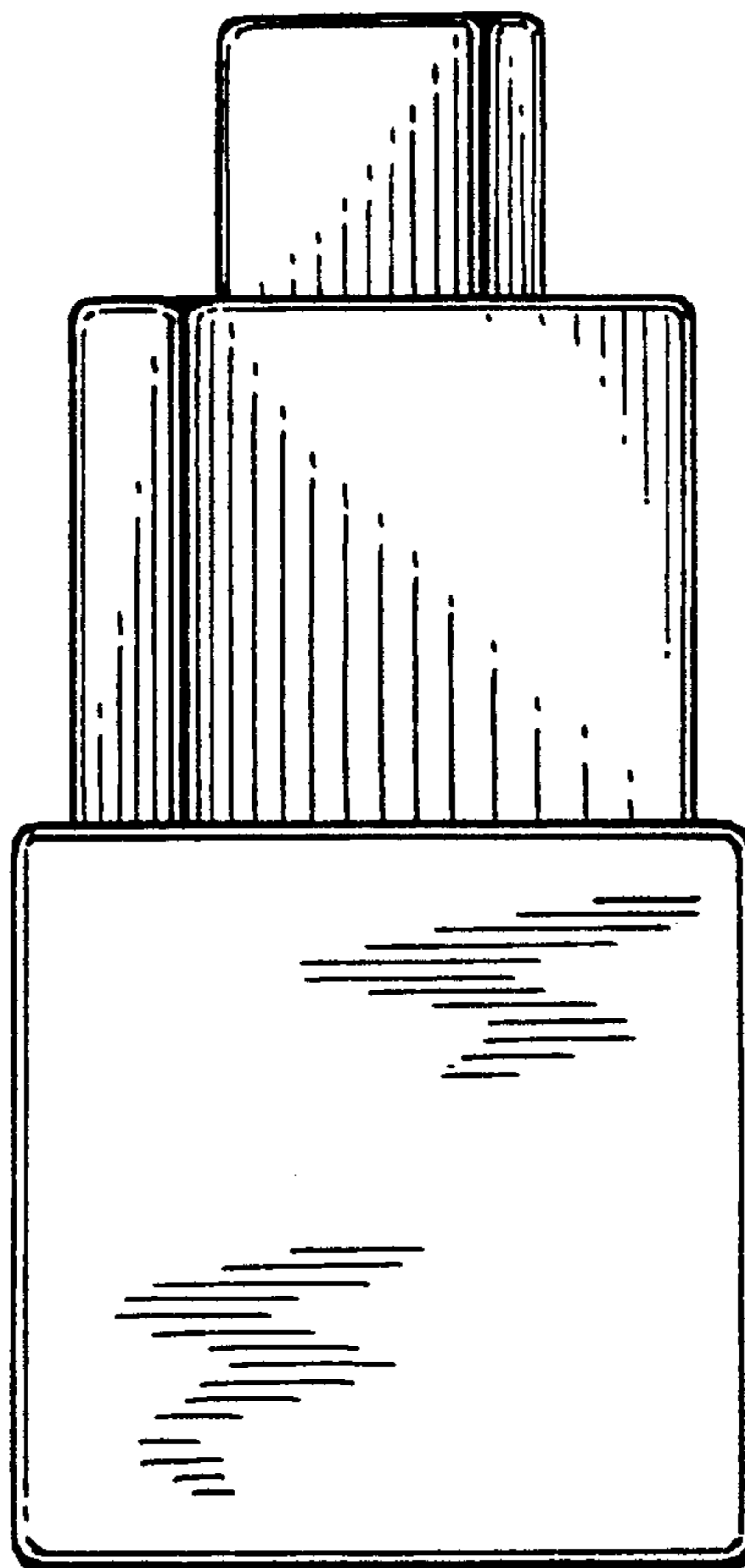


FIG. 4

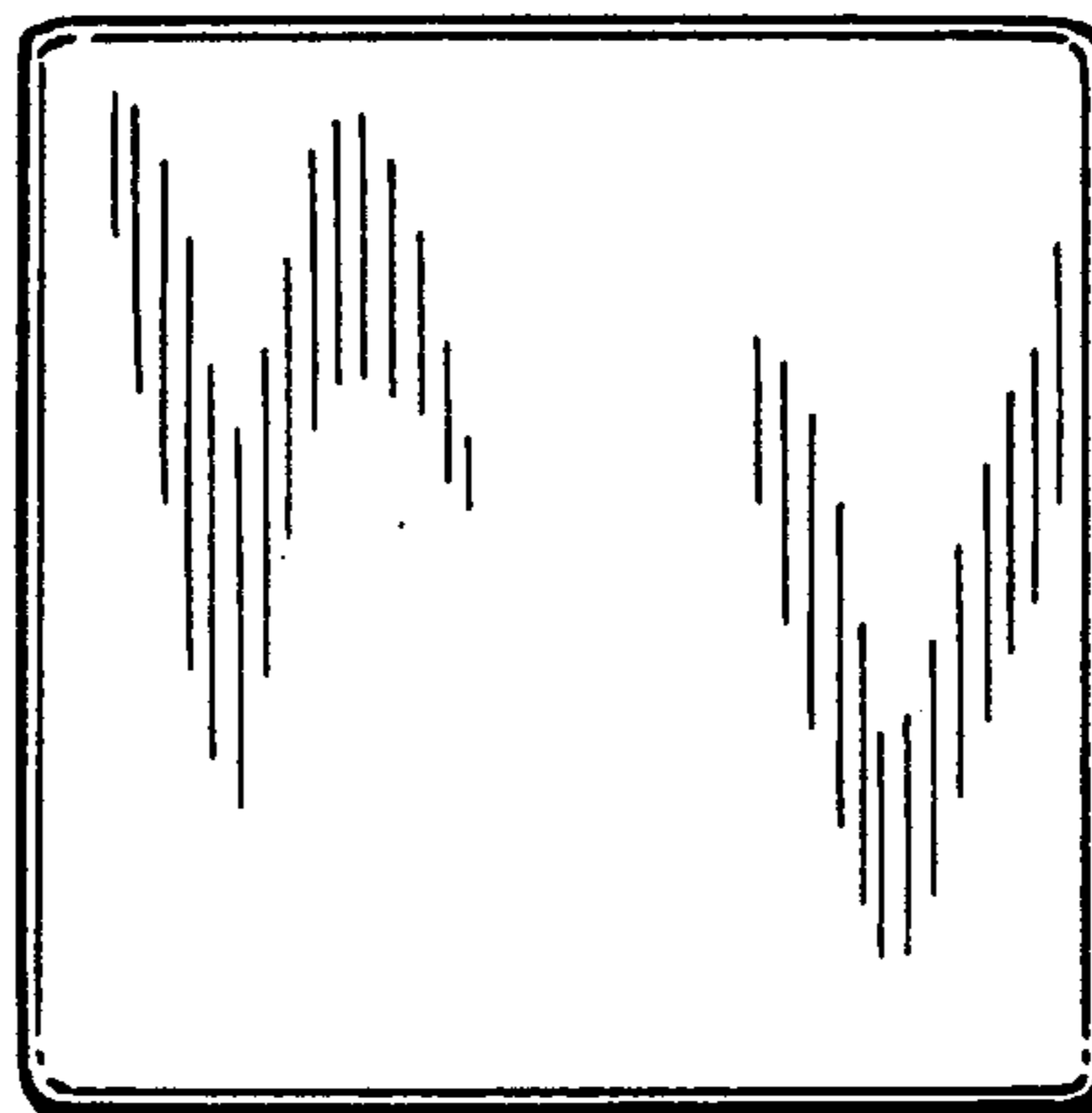


FIG. 5

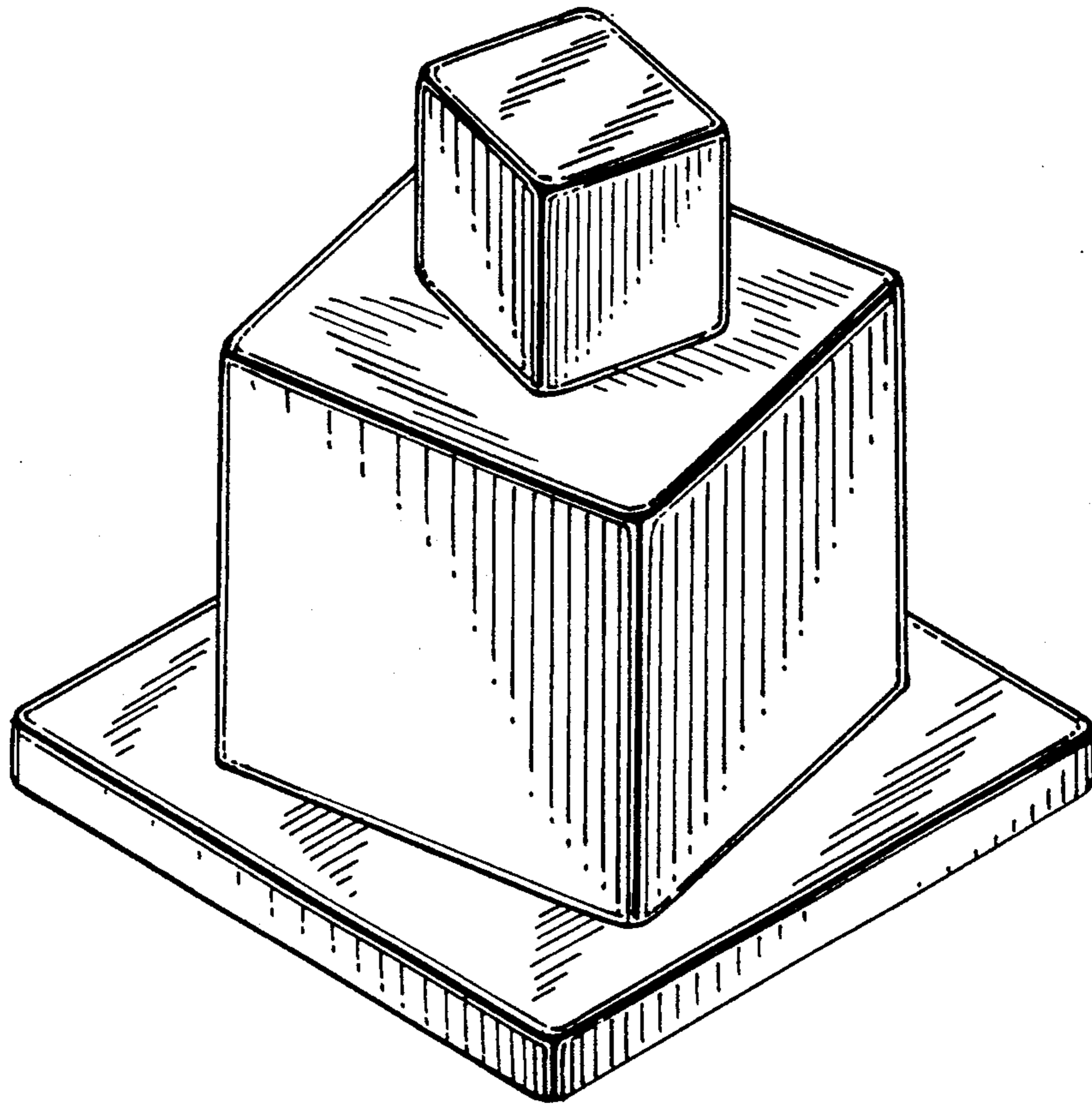


FIG. 6

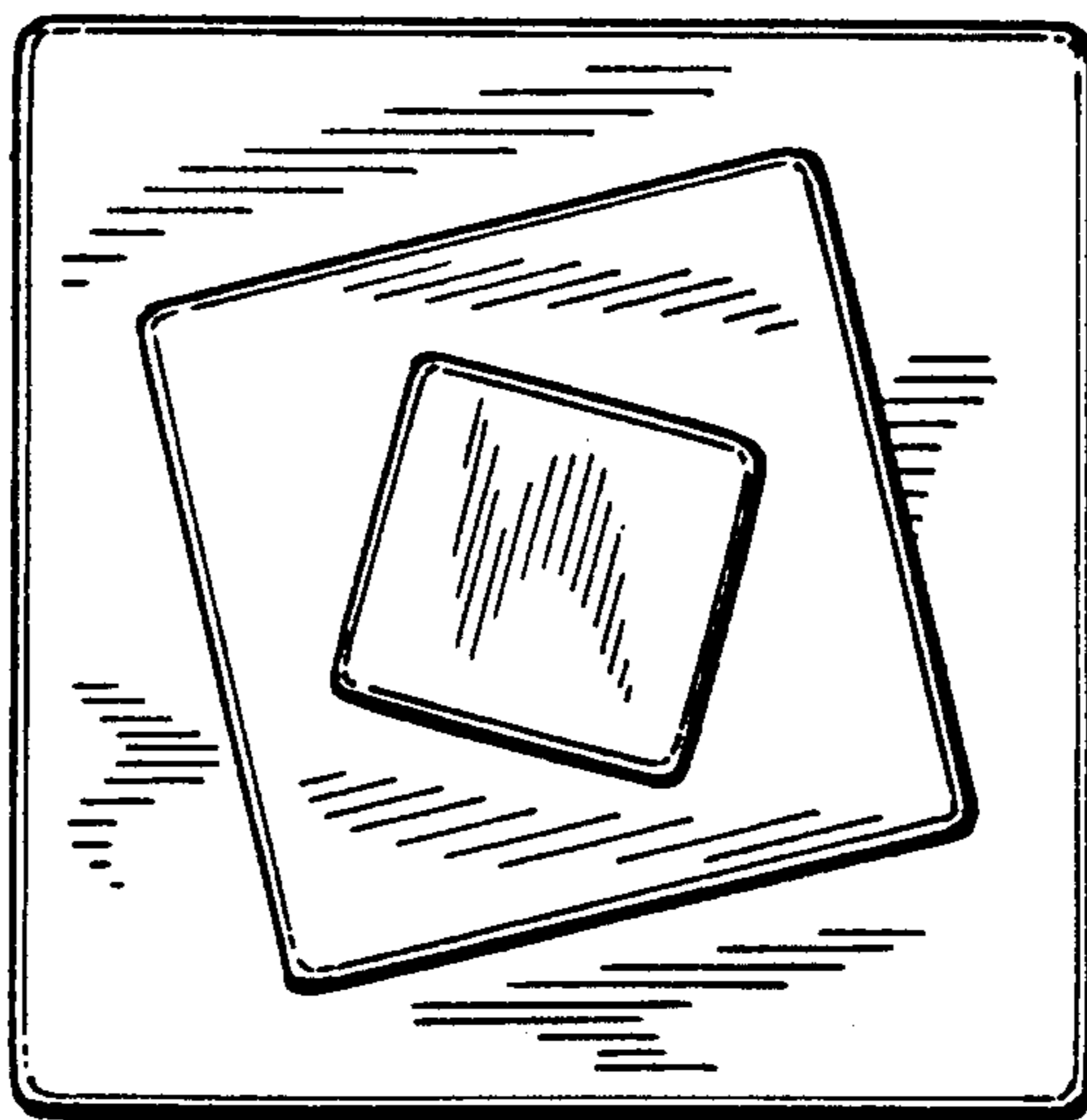


FIG. 7

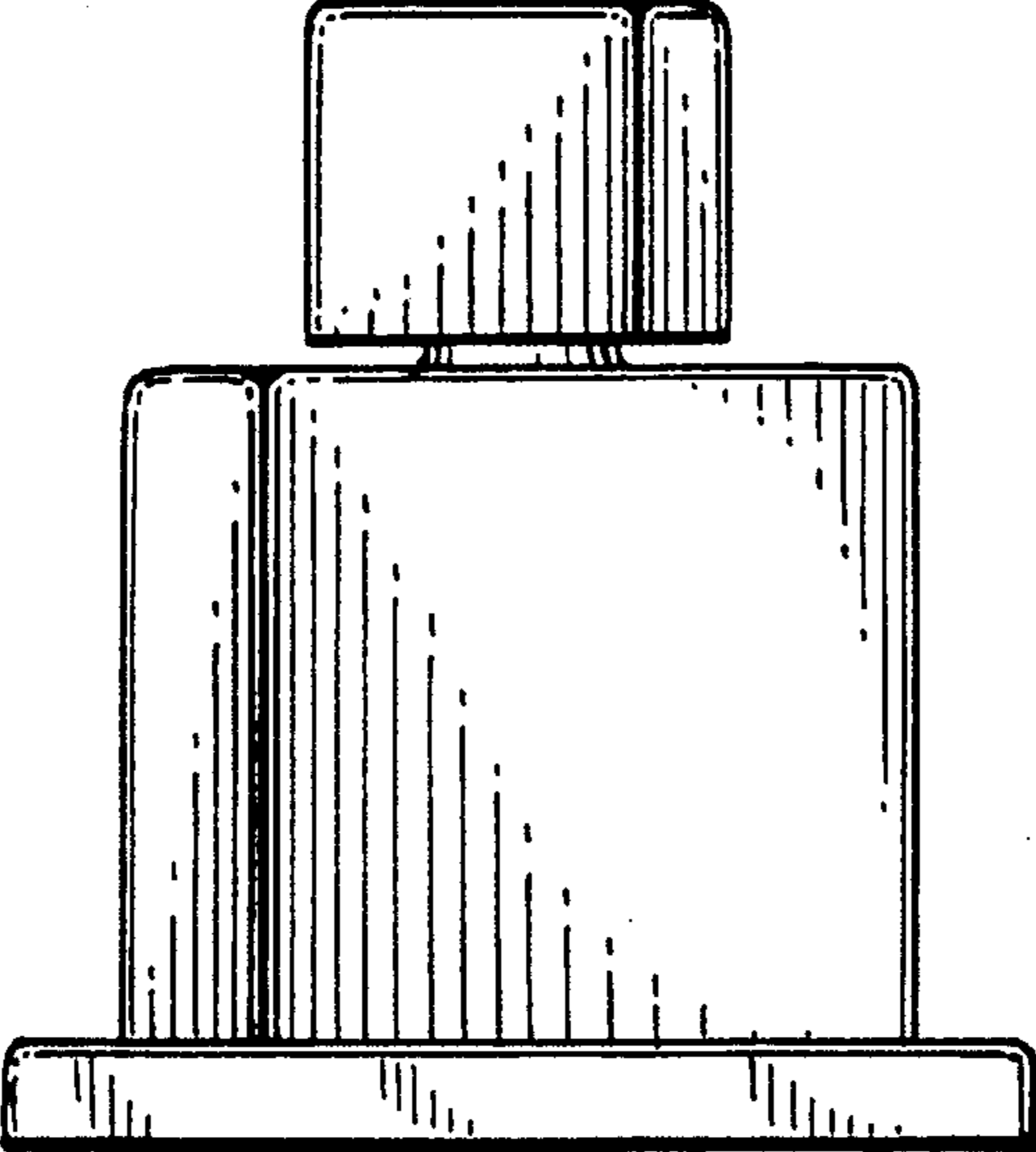


FIG. 8

