

[54] COMBINATION DOOR KNOB COVER AND NIGHT LIGHT

[76] Inventor: Deborah Evans, 6047 S. Sawyer, Chicago, Ill. 60629

[**] Term: 14 Years

[21] Appl. No.: 369,672

[22] Filed: Jun. 21, 1989

[52] U.S. Cl. D8/322; D26/26

[58] Field of Search D8/321, 322; D26/26; 16/121; 292/DIG. 2, 343, 349; 362/226; 150/155

[56] References Cited

U.S. PATENT DOCUMENTS

D. 92,831	7/1934	Tyler	D26/26
D. 211,398	6/1968	Hall	D8/322
1,410,605	3/1922	Schacht	292/DIG. 2
1,668,716	5/1928	Herdman et al.	150/155
4,344,116	8/1982	Martin	362/226
4,912,609	3/1990	Gillette	362/226

OTHER PUBLICATIONS

Sweets catalog file 1978, p. 12, Markstone Lighting, "Exit" sign, lower left.

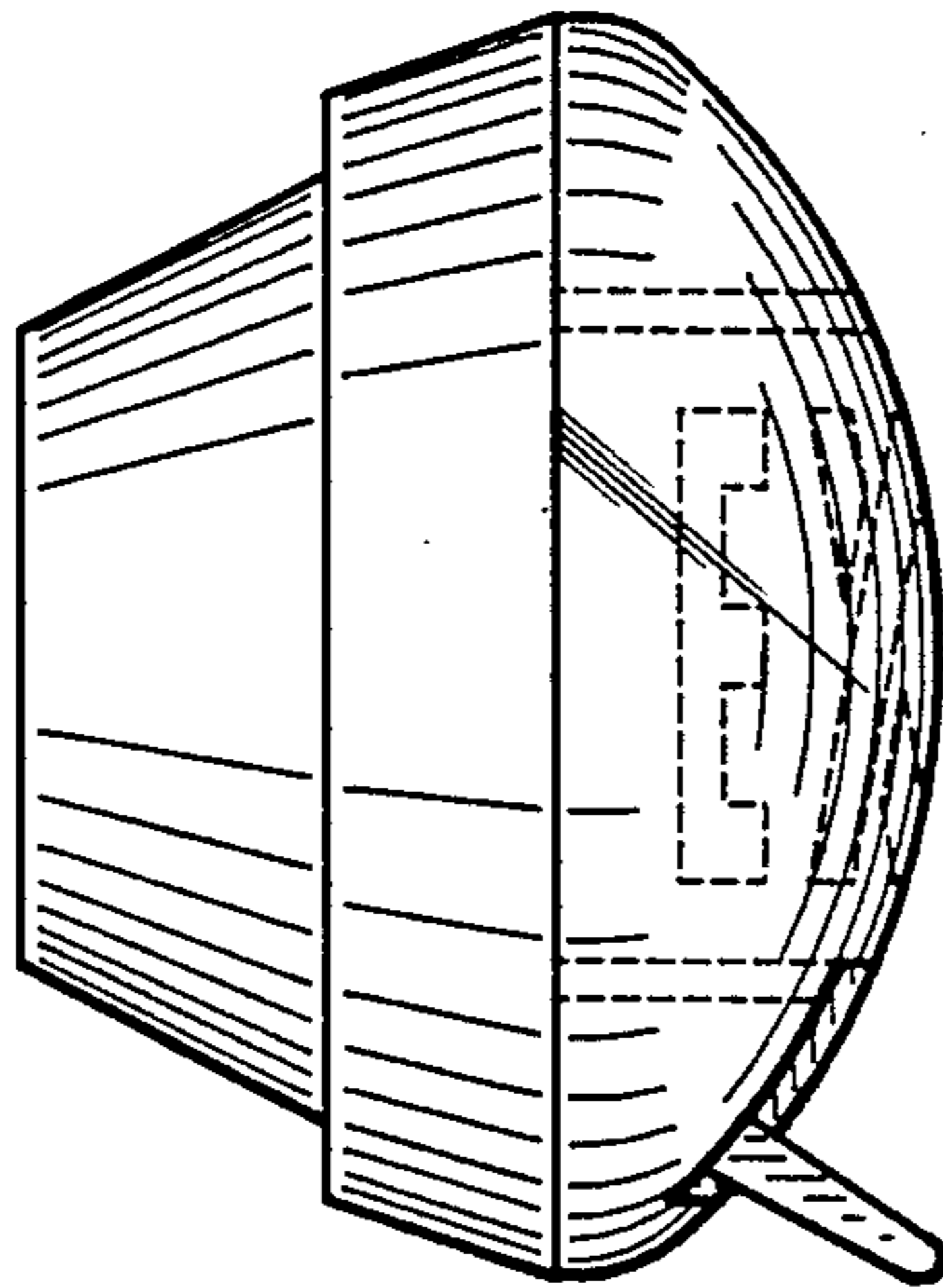
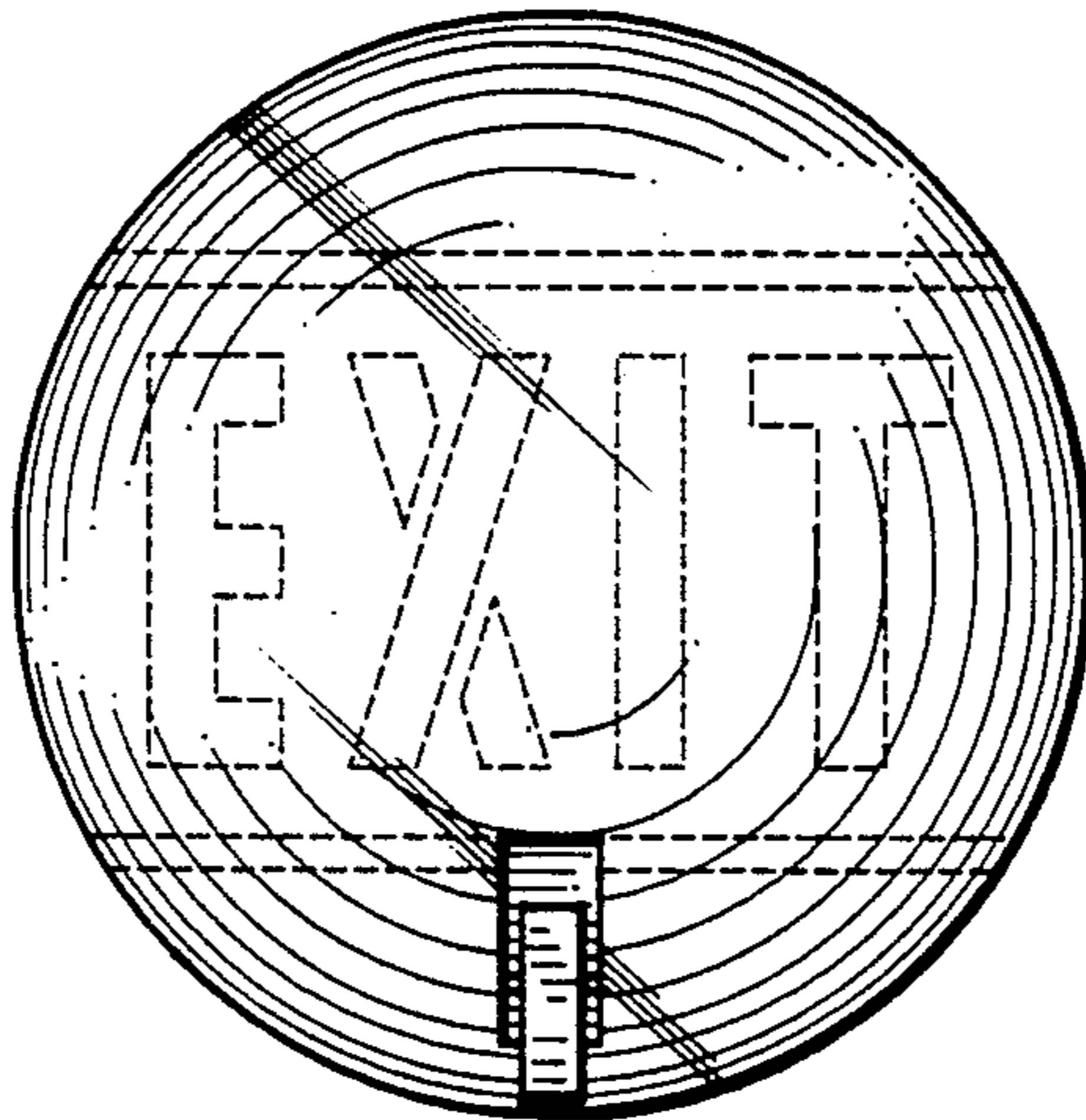
Primary Examiner—Bernard Ansher
Assistant Examiner—Sandra Morris
Attorney, Agent, or Firm—Leon Gilden

[57] CLAIM

The ornamental design for a combination door knob cover and night light, as shown and described.

DESCRIPTION

FIG. 1 is a front elevational view of a combination door knob cover and night light showing my new design; FIG. 2 is a rear elevational view thereof; FIG. 3 is a left side elevational view thereof; FIG. 4 is a right side elevational view thereof; FIG. 5 is a top plan view thereof; and, FIG. 6 is a bottom plan view thereof. The broken line showing of the word Exit is for illustrative purposes only, and forms no part of the claimed design.



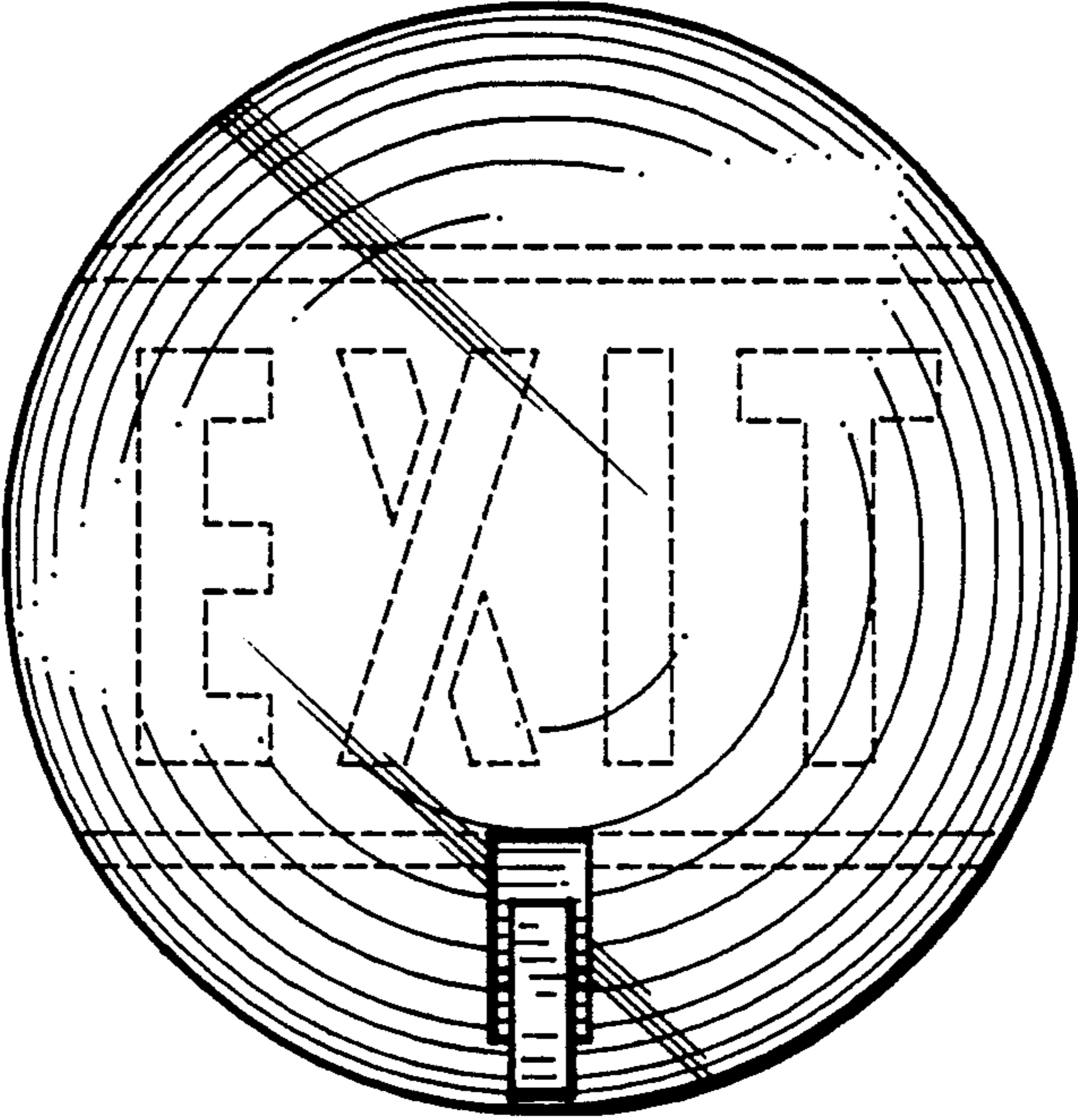


Fig. 1

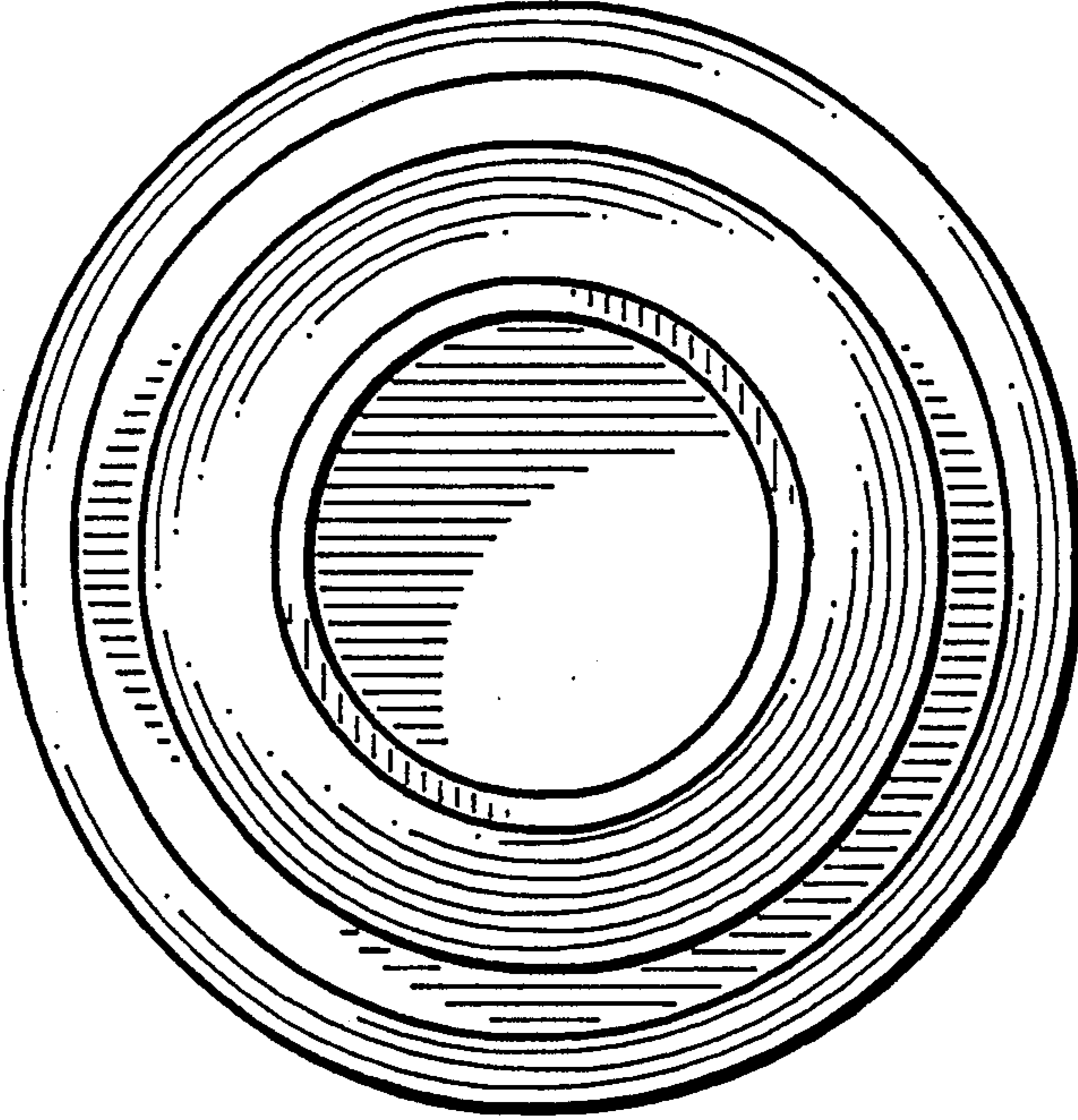


Fig. 2

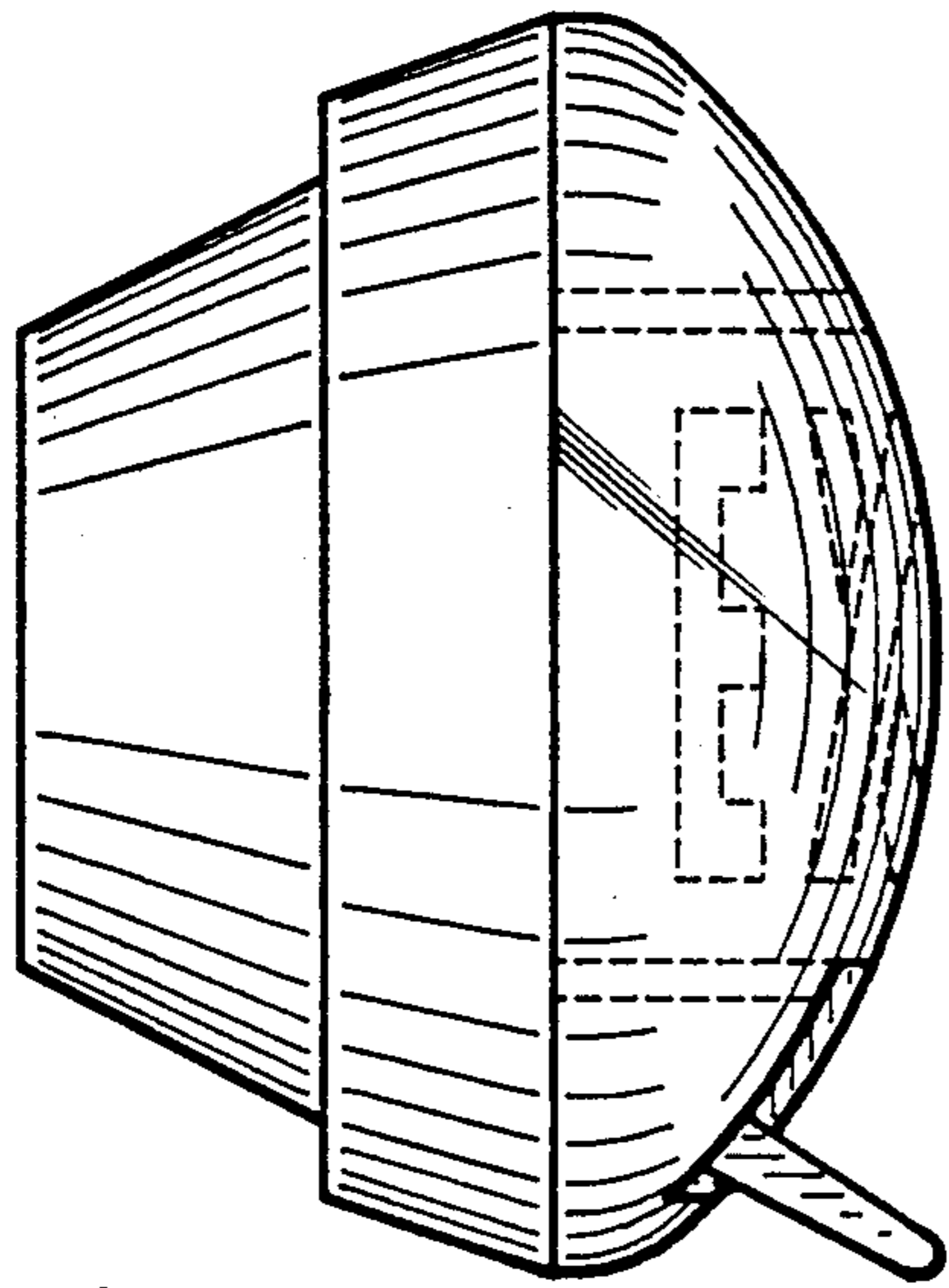


Fig. 3

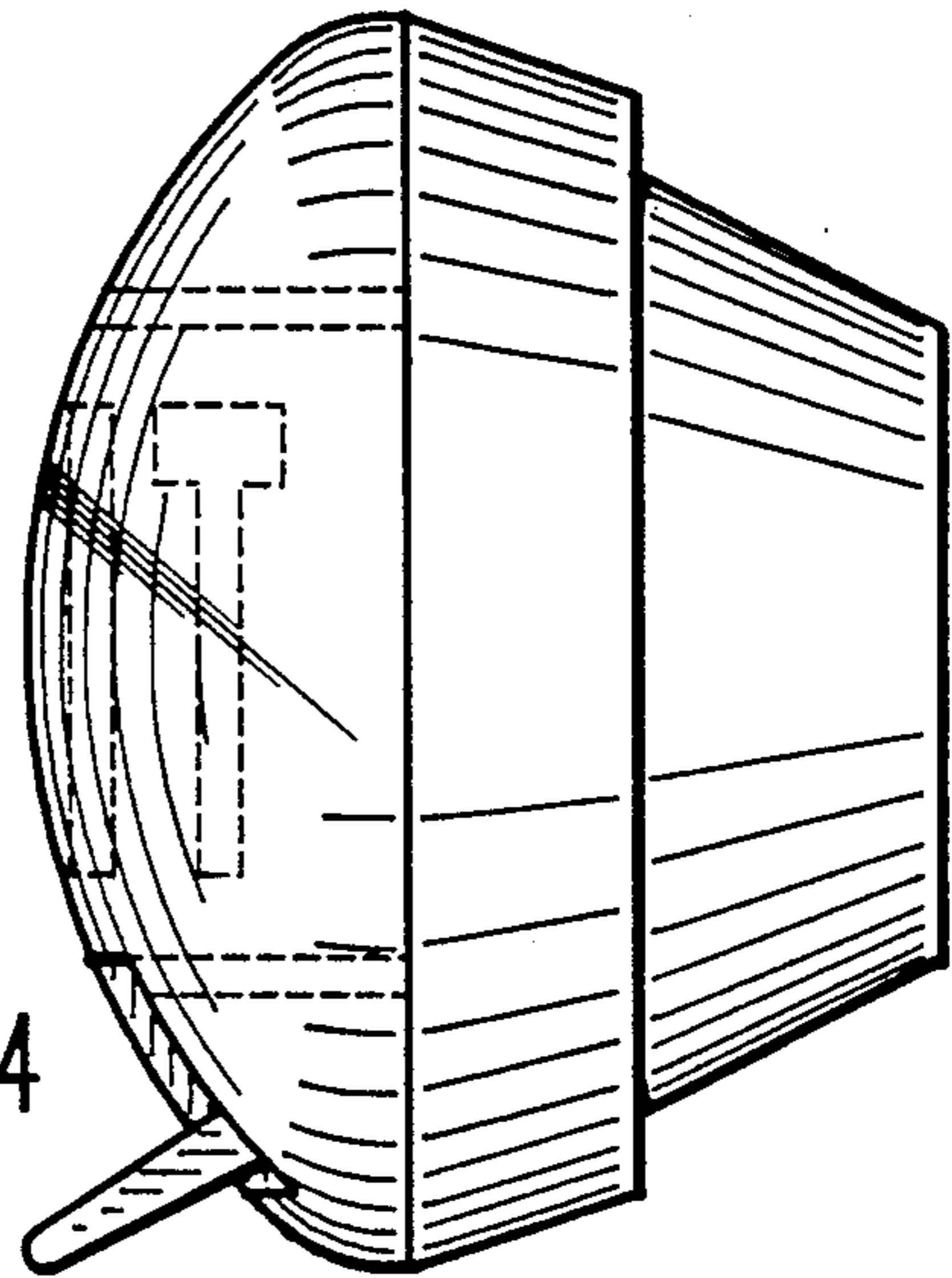


Fig. 4

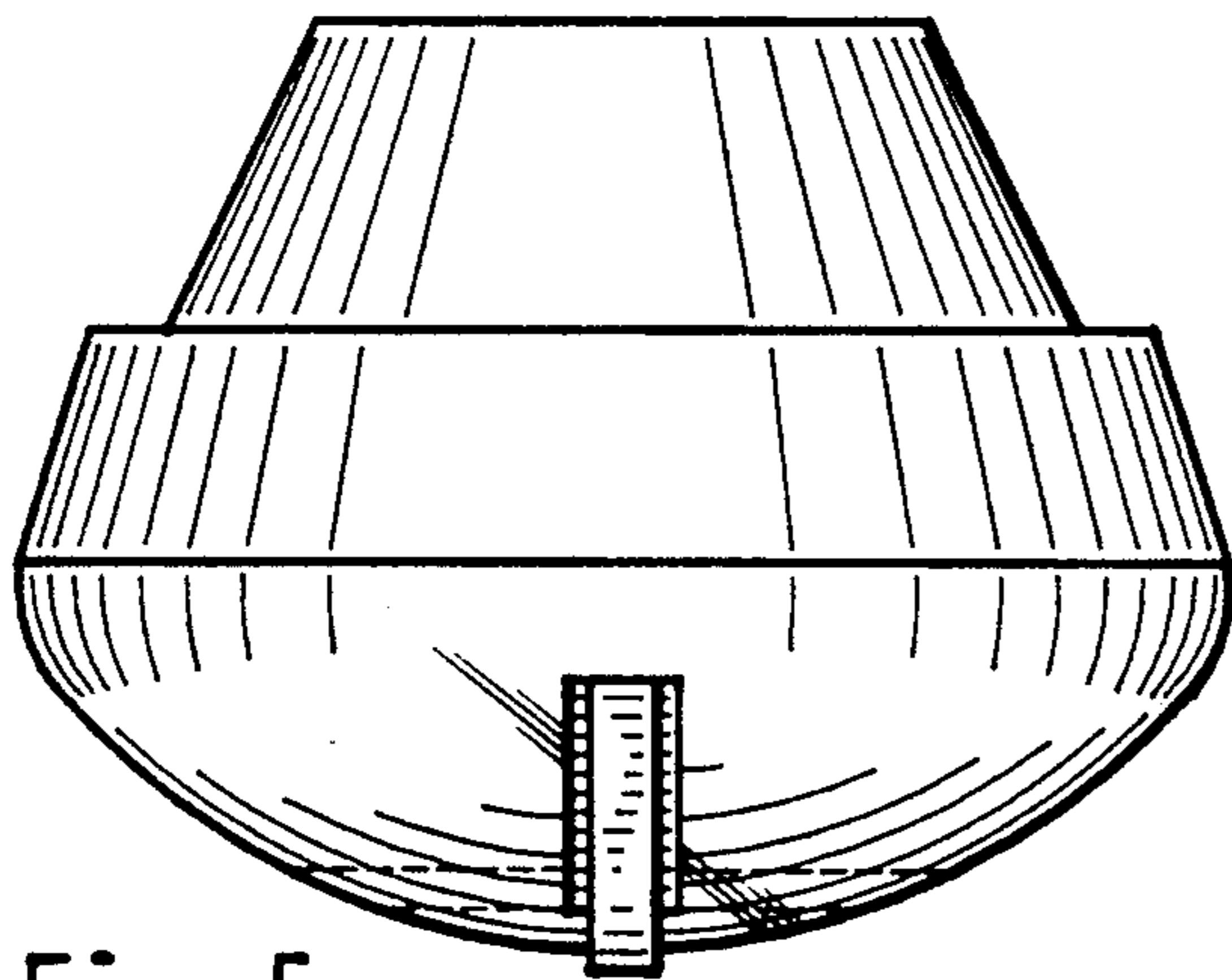


Fig. 5

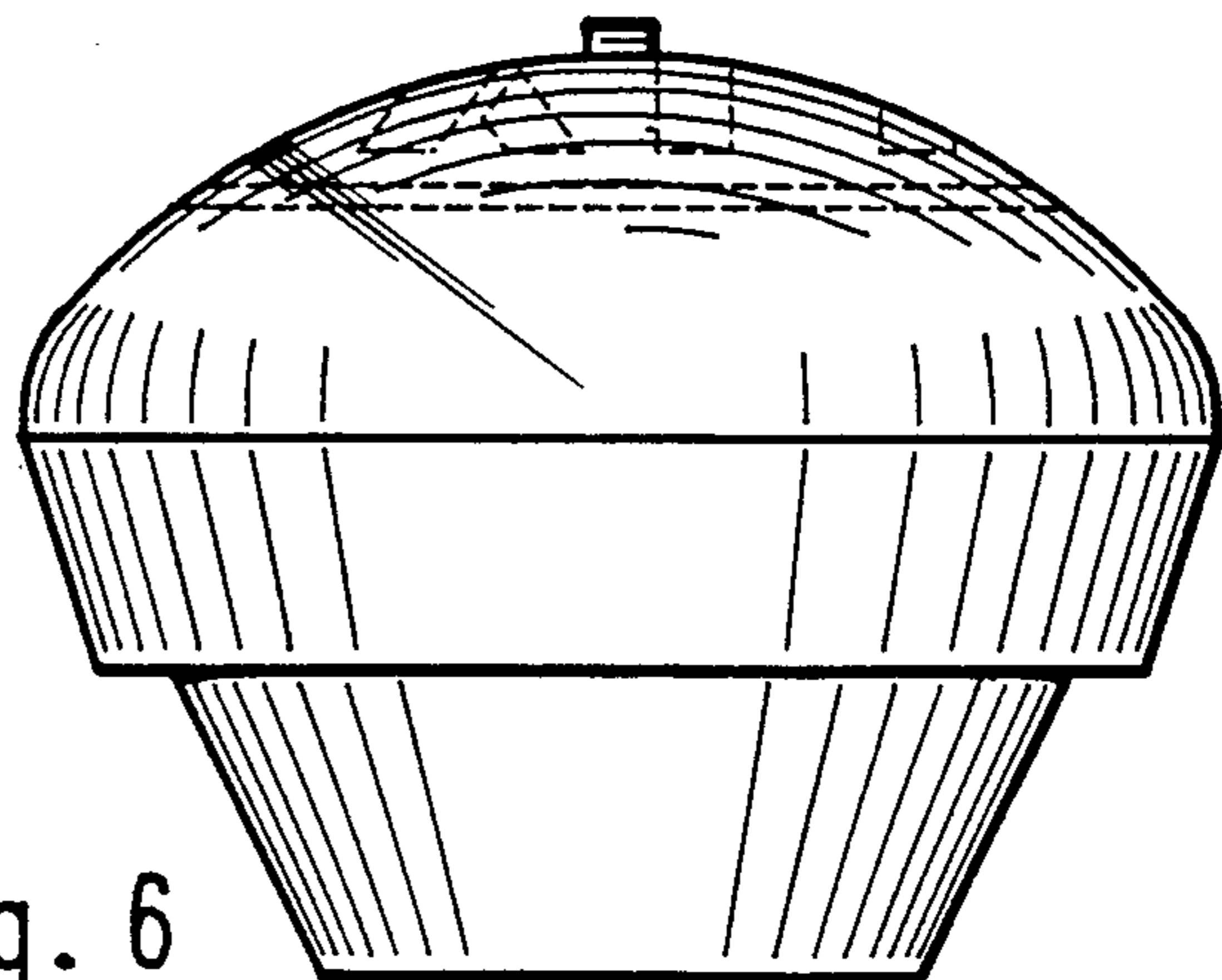


Fig. 6