

[54] CORDLESS DRILL

[75] Inventor: David G. Kmetz, Douglas, Mass.

[73] Assignee: The Stanley Works, New Britain, Conn.

[*] Notice: The portion of the term of this patent subsequent to Jul. 4, 2006 has been disclaimed.

[**] Term: 14 Years

[21] Appl. No.: 262,667

[22] Filed: Oct. 26, 1988

[52] U.S. Cl. D8/68

[58] Field of Search D8/61, 68; 81/54, 57.11; 173/163, 170; 408/124, 125

[56] References Cited

U.S. PATENT DOCUMENTS

- D. 259,392 6/1981 Elmessaar et al. D8/68
- D. 300,717 4/1989 Hasegawa et al. D8/68
- D. 301,968 7/1989 Kmetz D8/68
- D. 304,152 10/1989 Kmetz D8/68

Primary Examiner—Nelson C. Holtje

Assistant Examiner—J. H. Musgrove

Attorney, Agent, or Firm—Chilton, Alix & Van Kirk

[57] CLAIM

The ornamental design of a cordless drill, as shown and described.

DESCRIPTION

FIG. 1 is a left side elevational view of a cordless drill showing my new design;

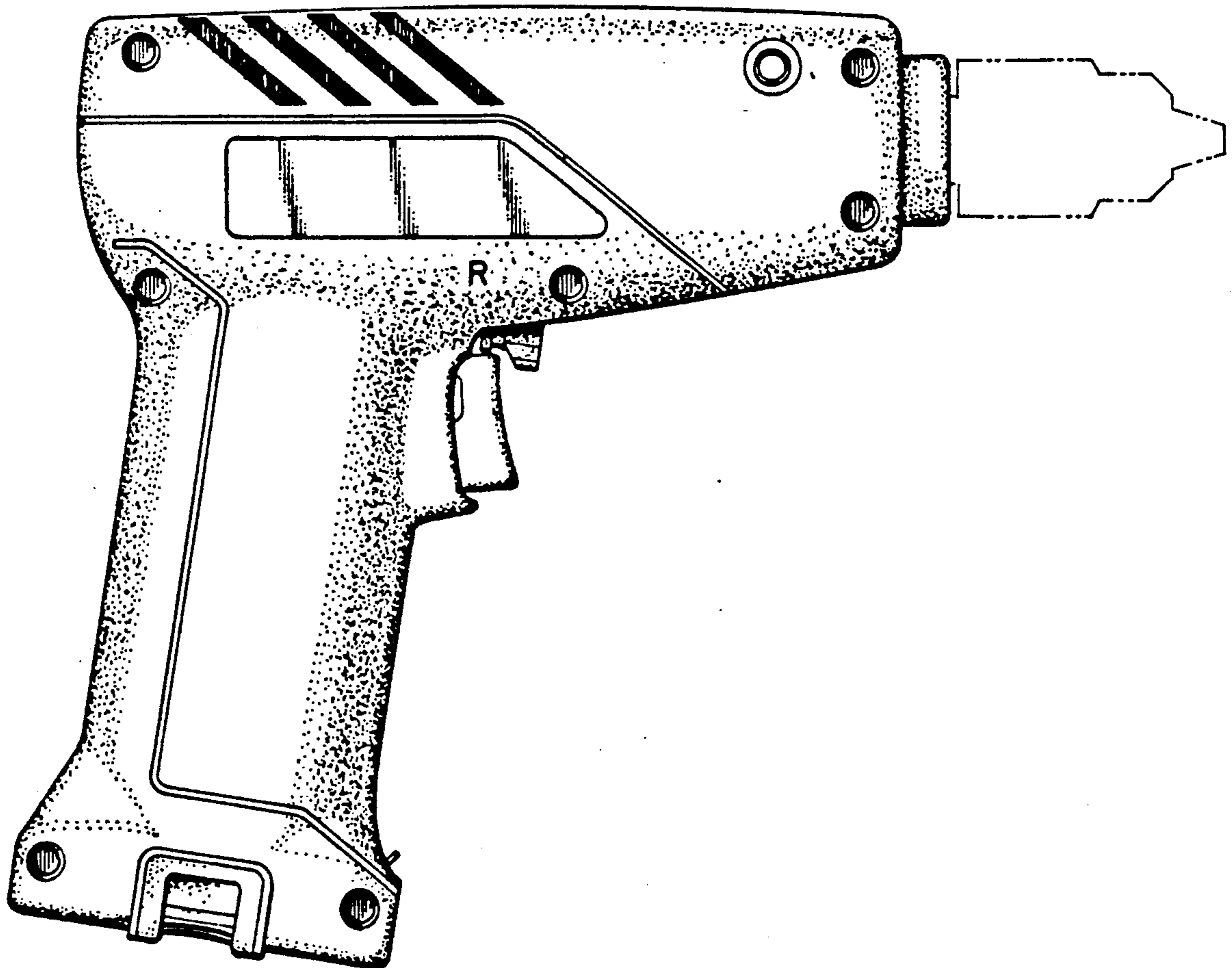
FIG. 2 is a right side elevational view;

FIG. 3 is a front elevational view;

FIG. 4 is a right elevational view;

FIG. 5 is a top plan view; and

FIG. 6 is a bottom plan view thereof.



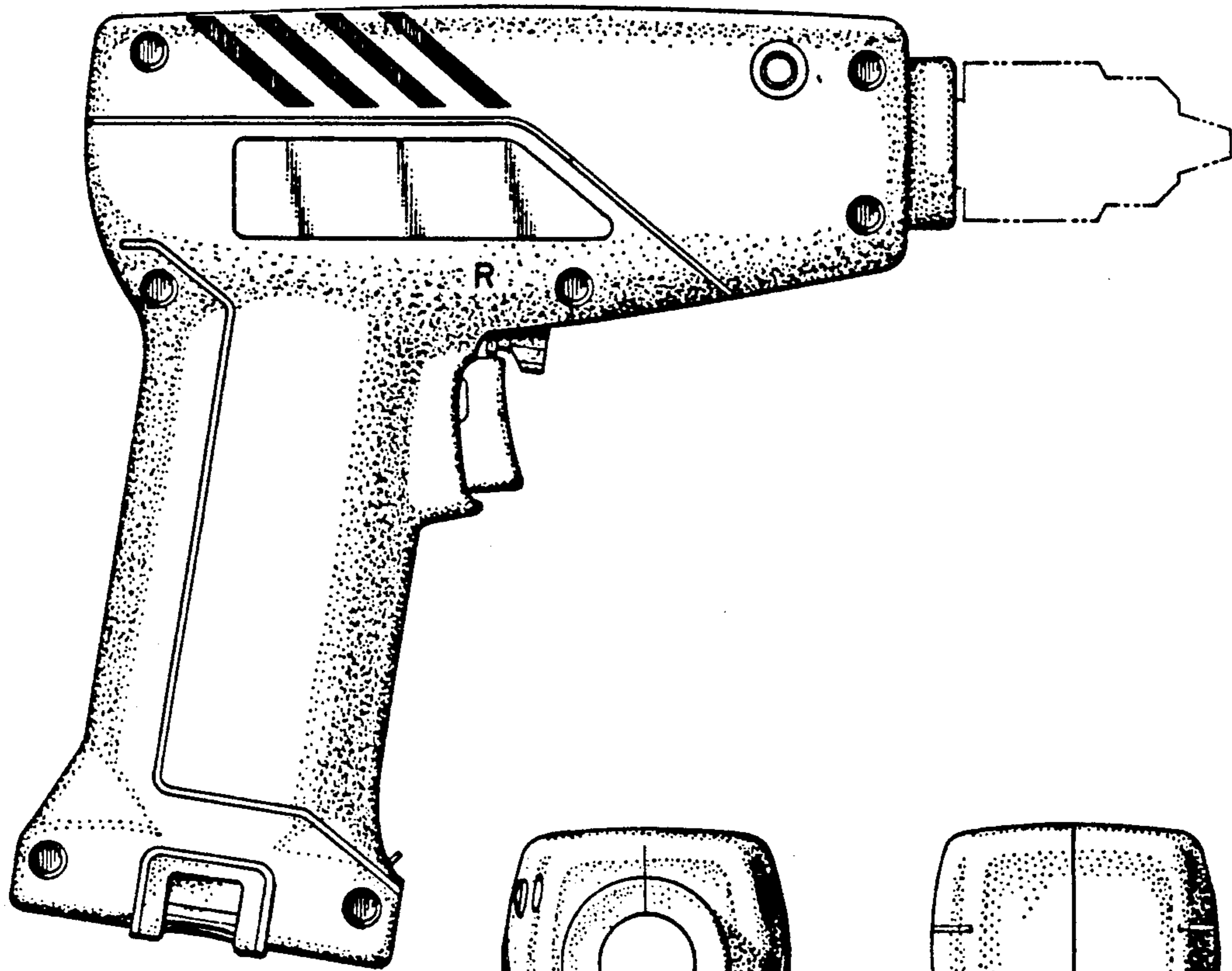


FIG. 1

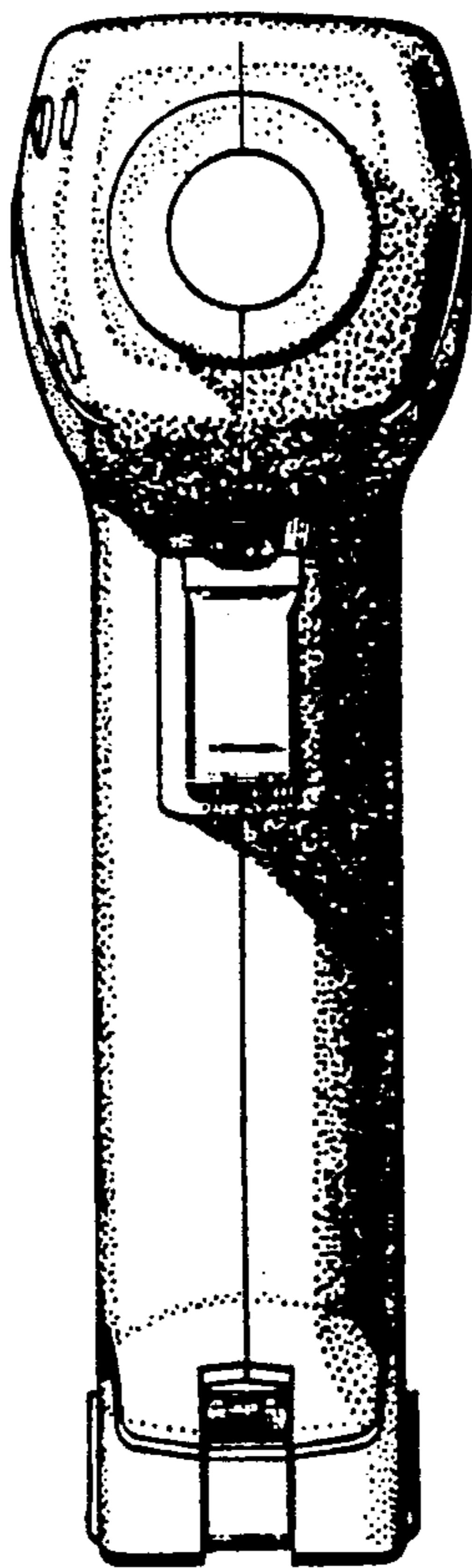


FIG. 3

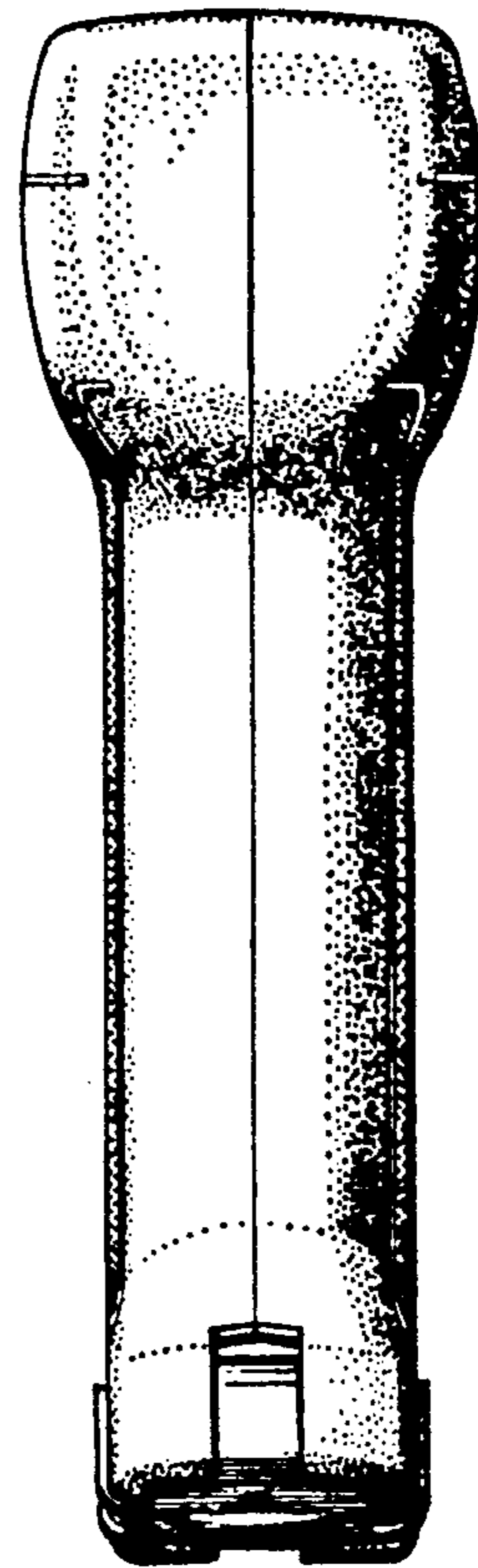


FIG. 4

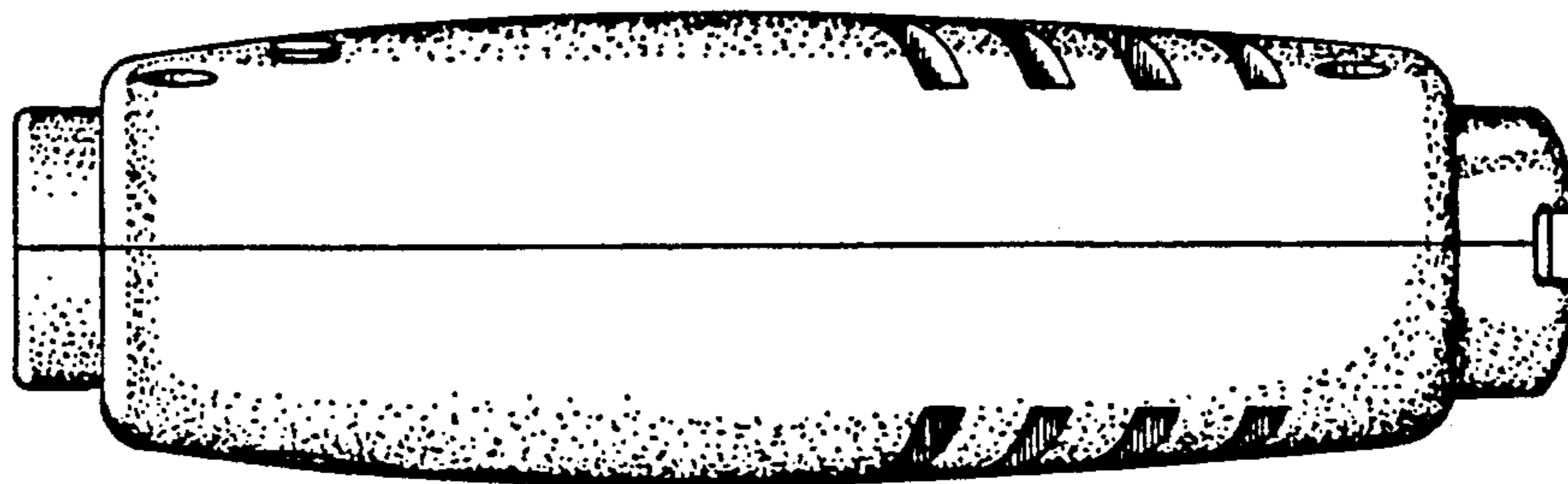


FIG. 5

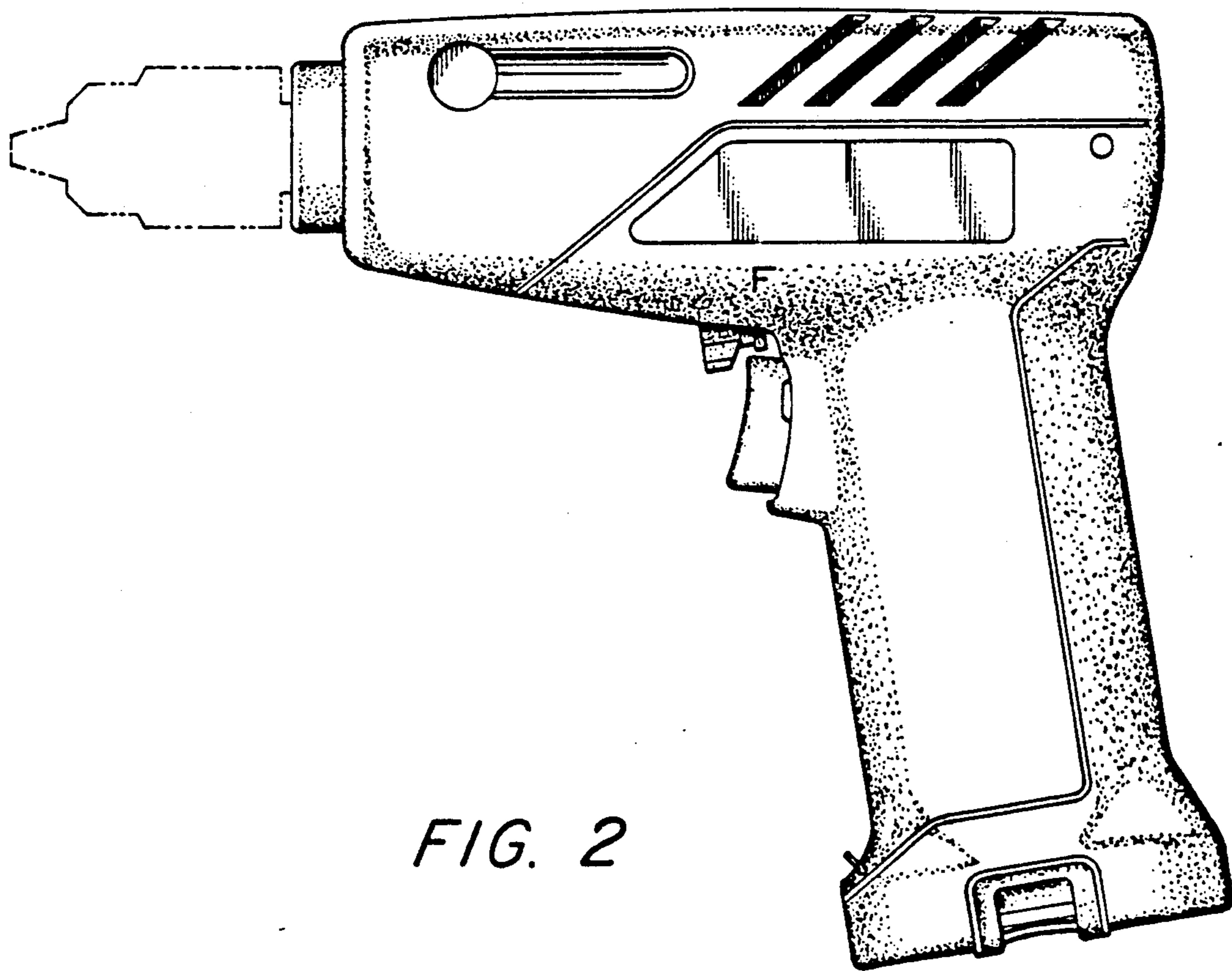


FIG. 2

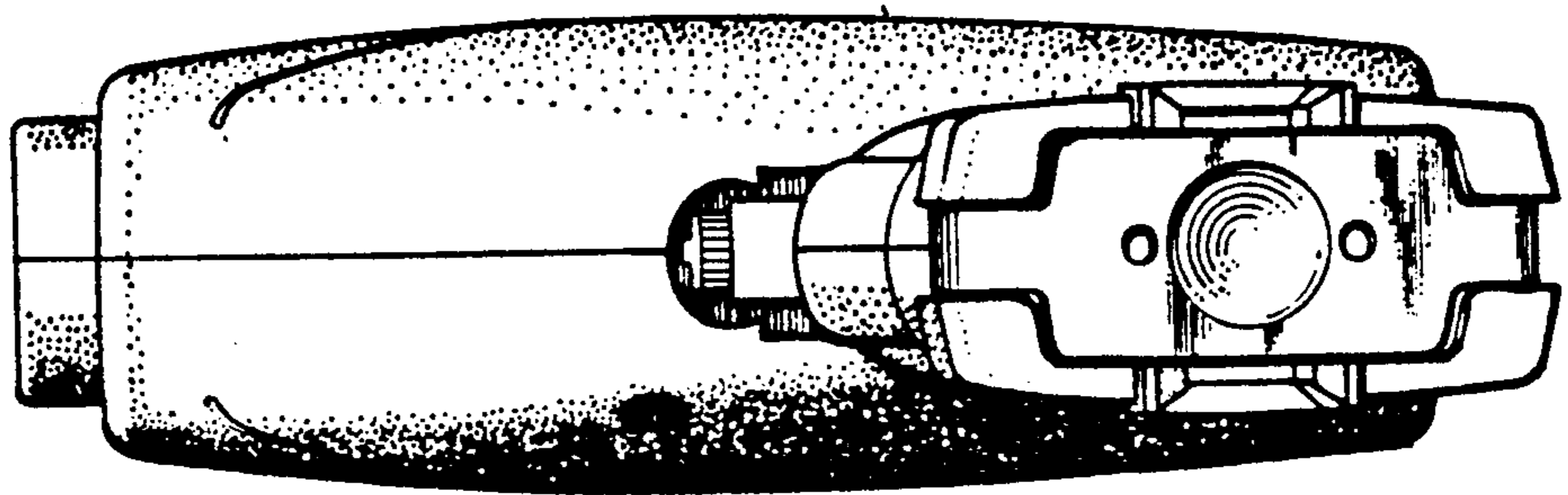


FIG. 6