

[54] HANDLE FOR SCISSORS

[75] Inventor: Eric Chan, 401 E. 84th St., New York, N.Y. 10028

[73] Assignee: Eric Chan, New York, N.Y.

[\*\*] Term: 14 Years

[21] Appl. No.: 311,689

[22] Filed: Feb. 10, 1989

[52] U.S. Cl. .... D8/57; D8/98; D8/107; D8/300

[58] Field of Search ..... D8/57, 98, 107, 300; 30/194, 231-232, 244, 254-262; D3/18

[56] References Cited

U.S. PATENT DOCUMENTS

D. 219,420 12/1970 Cline ..... D8/57  
258,089 5/1882 Mann ..... 30/232 X

853,979 5/1907 Karrer ..... 30/232  
2,505,705 4/1950 Cohn ..... 30/232

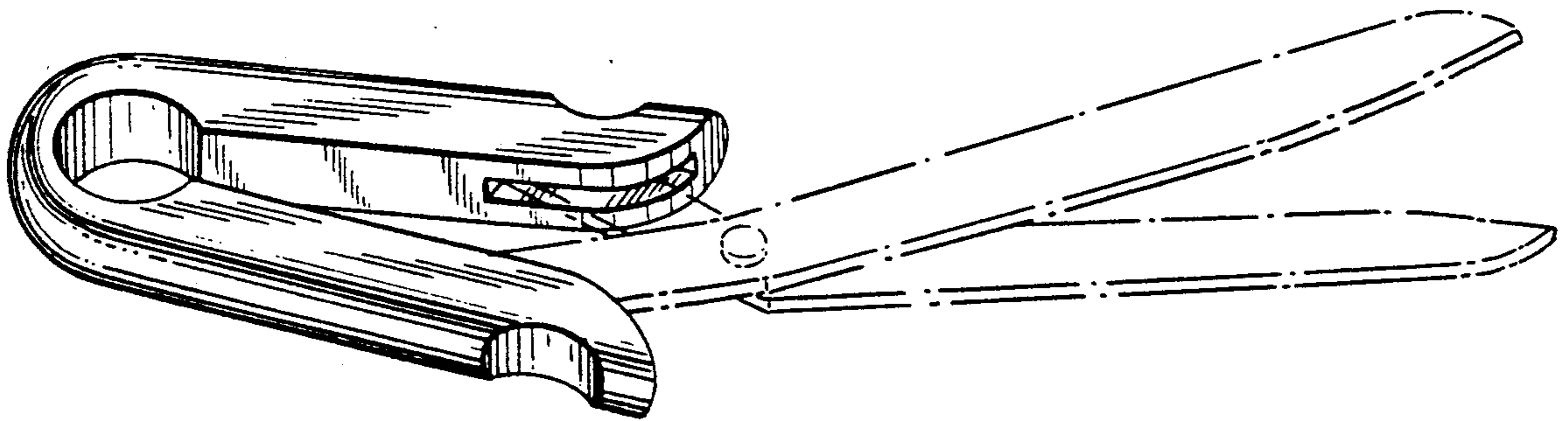
Primary Examiner—Terry A. Pfeffer  
Attorney, Agent, or Firm—William E. Pelton

[57] CLAIM

The ornamental design for handle for scissors, as shown and described.

DESCRIPTION

FIG. 1 is a perspective view of a handle for scissors showing our new design;  
FIG. 2 is a right side elevational view thereof, the opposite side being identical;  
FIG. 3 is a top plan view thereof, the opposite side being identical;  
FIG. 4 is a front elevational view thereof; and  
FIG. 5 is a rear elevational view thereof.  
The blades are shown in broken lines for illustrative purposes only.



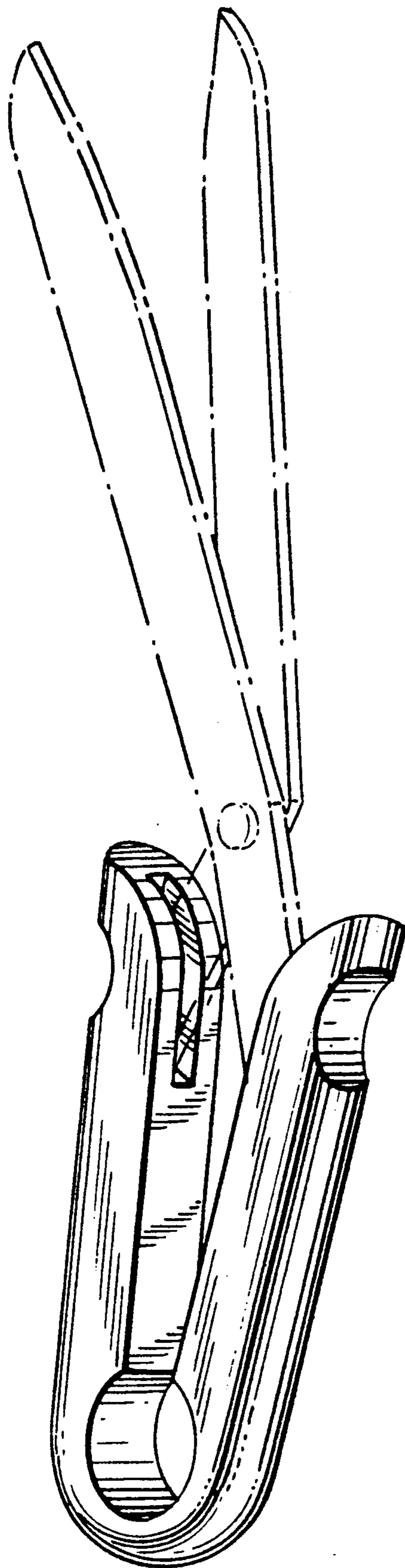


FIG. 1

