

[54] TOOL FOR CRIMPING ELECTRICAL
TERMINAL CONNECTIONS OR THE LIKE

[75] Inventor: Richard A. Steiner, East Haddam,
Conn.

[73] Assignee: Rostra Tool Company, East Branford,
Conn.

[**] Term: 14 Years

[21] Appl. No.: 266,923

[22] Filed: Nov. 2, 1988

[52] U.S. Cl. D8/14; D8/98

[58] Field of Search D8/14, 25; 29/229;
72/409, 410; 81/176.3

[56] References Cited

U.S. PATENT DOCUMENTS

D. 301,965	7/1989	Nilsson	D8/14 X
3,525,107	8/1970	Hays	72/410 X
4,283,933	8/1981	Wiener	72/409
4,590,786	5/1986	Wiener et al.	72/410

4,611,511	9/1986	Mykkanen	72/410 X
4,630,462	12/1986	Wiener et al.	72/410
4,637,242	1/1987	Undin et al.	72/410
4,829,805	5/1989	Koehn	72/410

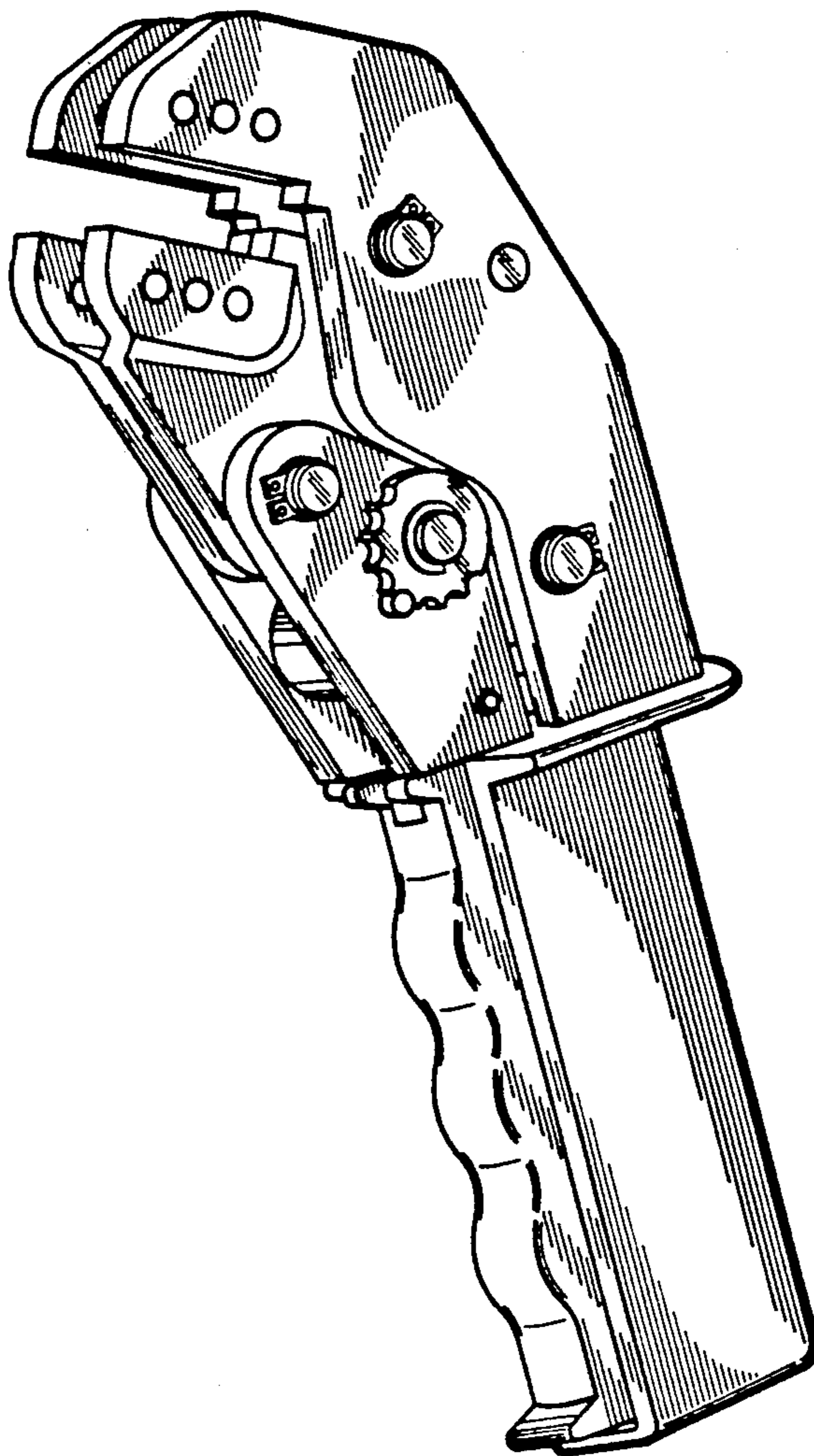
Primary Examiner—Bruce W. Dunkins
Assistant Examiner—Monica Hannon
Attorney, Agent, or Firm—John H. Crozier

[57] CLAIM

The ornamental design for a tool for crimping electrical terminal connections or the like, as shown and described.

DESCRIPTION

FIG. 1 is a left side elevation view of the tool for crimping electrical terminal connections or the like showing my new design;
FIG. 2 is a right side elevation view thereof;
FIG. 3 is a front elevation view thereof;
FIG. 4 is a rear elevation view thereof;
FIG. 5 is a top plan view thereof; and
FIG. 6 is a side perspective view thereof on an enlarged scale.



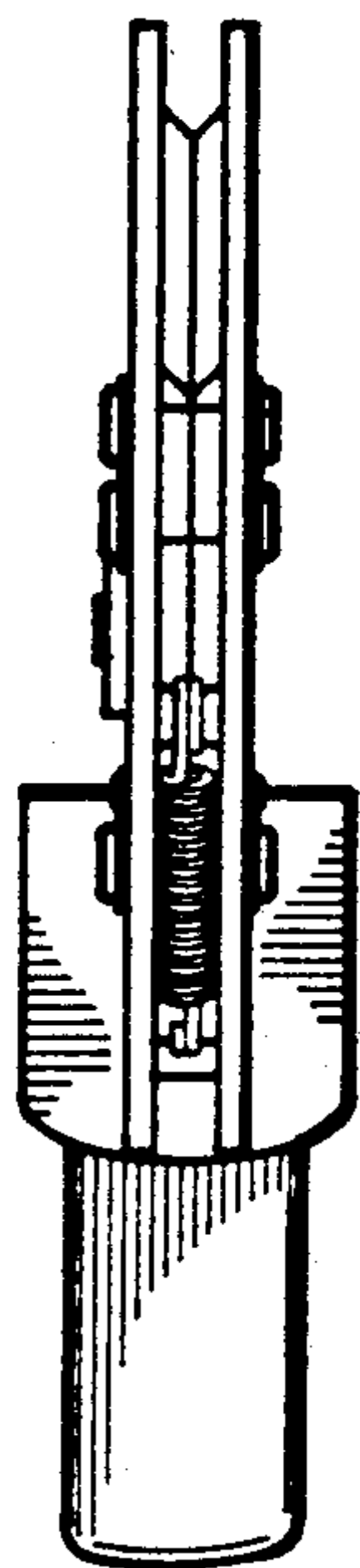


FIG. 5

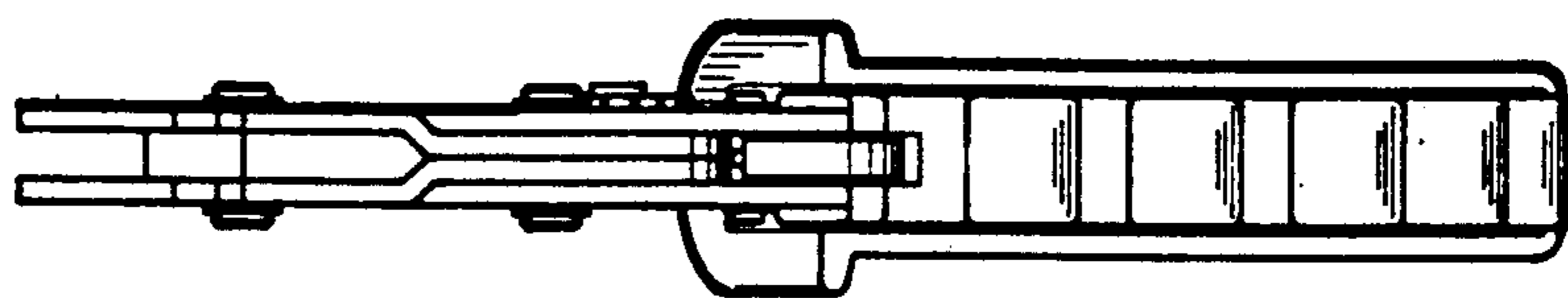


FIG. 3

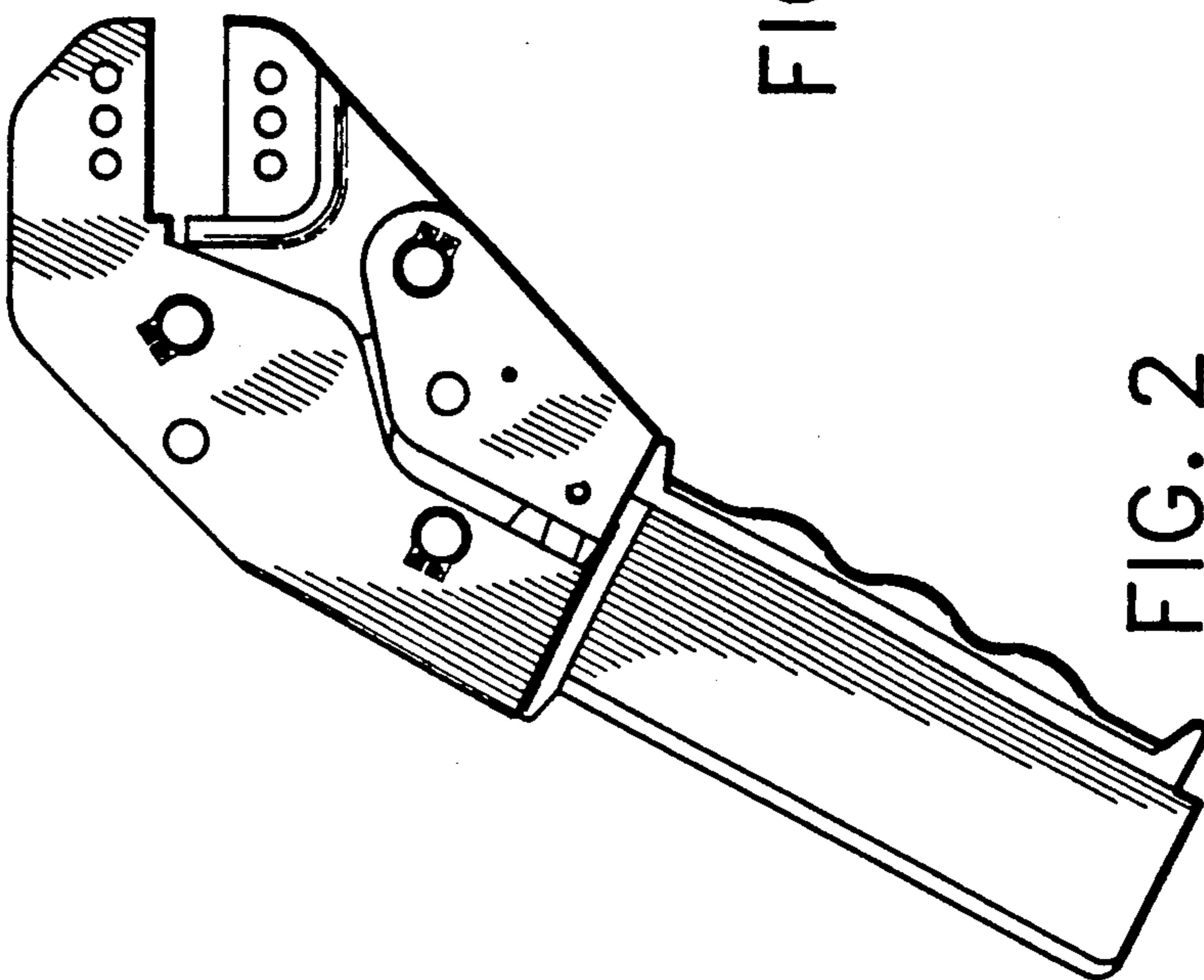


FIG. 2

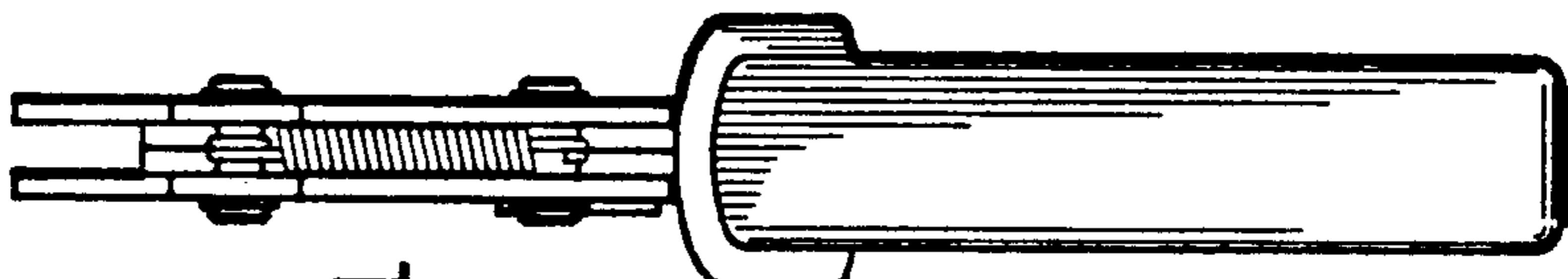


FIG. 4

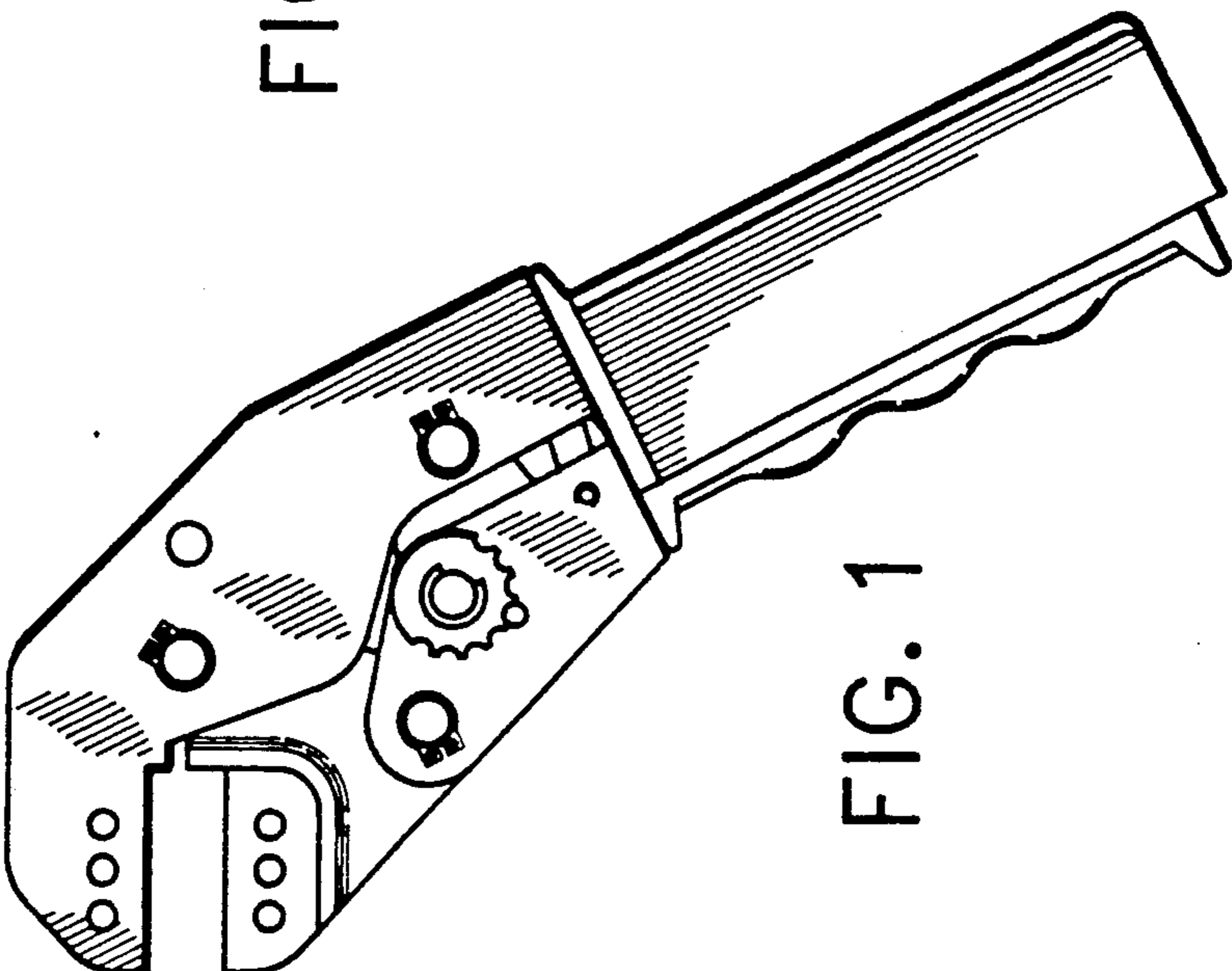


FIG. 1

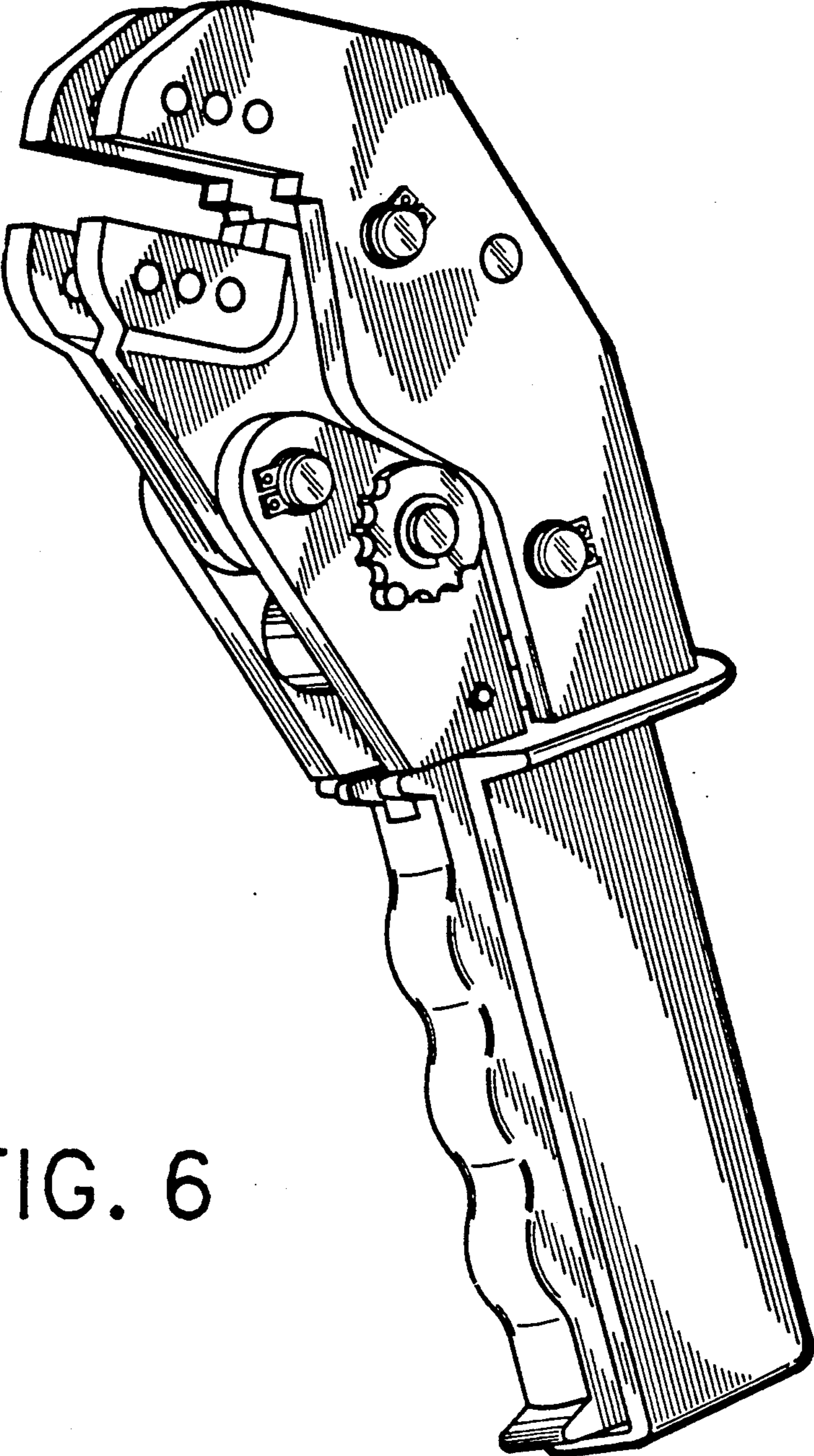


FIG. 6