

[54] SNOW SCOOP

[76] Inventors: Stephen L. Jenkins; Stephen L. Jenkins, Jr., both of 7 Stillforest, Houston, Tex. 77024

[\*\*] Term: 14 Years

[21] Appl. No.: 513,158

[22] Filed: Apr. 23, 1990

[52] U.S. Cl. .... D8/10; D32/46

[58] Field of Search ..... D8/10; D32/35, 40, 46; 15/236.01; 37/122, 130, 265-266; 294/49, 54.5, 55; D12/6

[56] References Cited

U.S. PATENT DOCUMENTS

D. 178,868	10/1956	Cook	.....	D8/10
D. 219,211	11/1970	Nixon	.....	D12/6
D. 271,369	11/1983	Gesner	.....	D8/10
D. 301,111	5/1989	McDonnell	.....	D8/10

3,583,746	6/1971	Lissakers	.....	37/265
4,245,411	1/1981	McMath	.....	294/55
4,516,799	5/1985	O'Donnell	.....	294/54.5

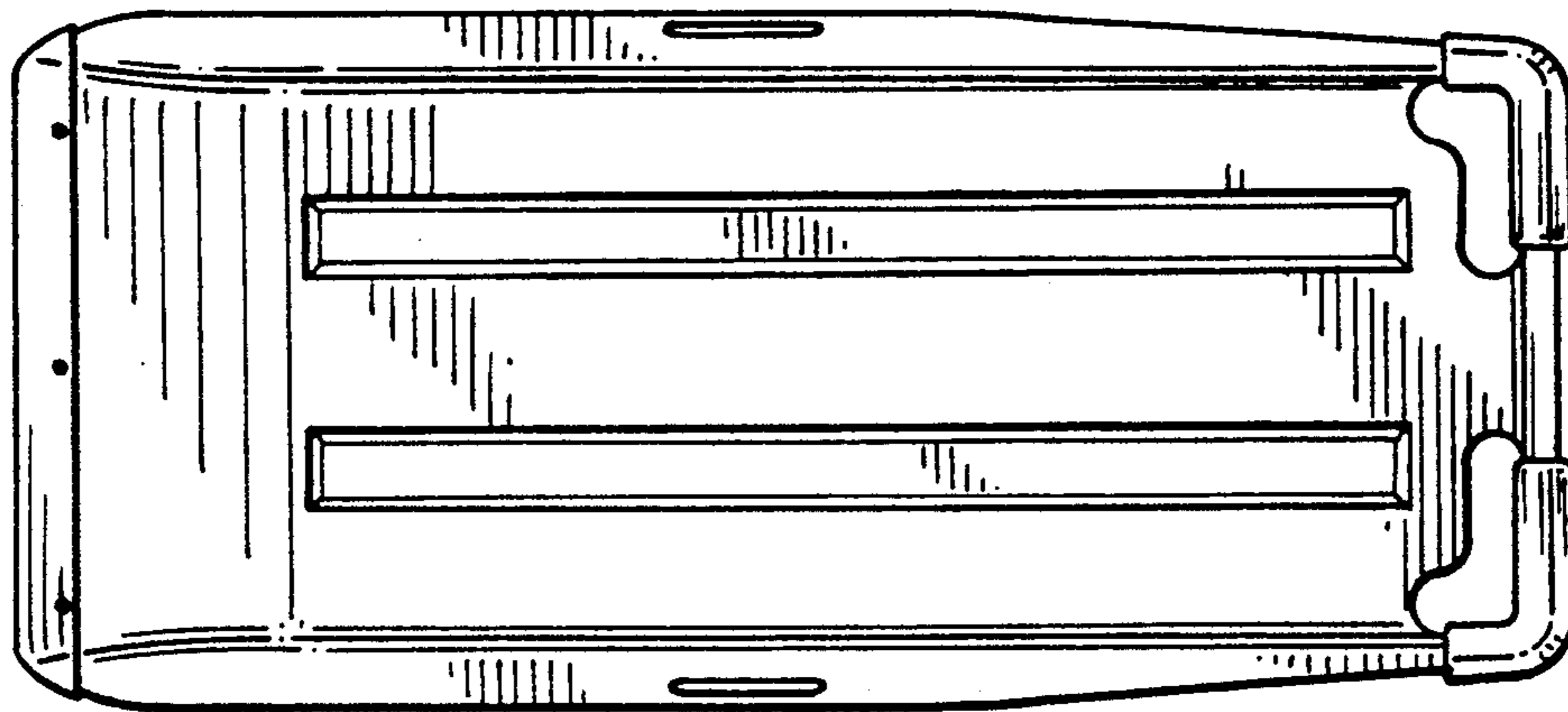
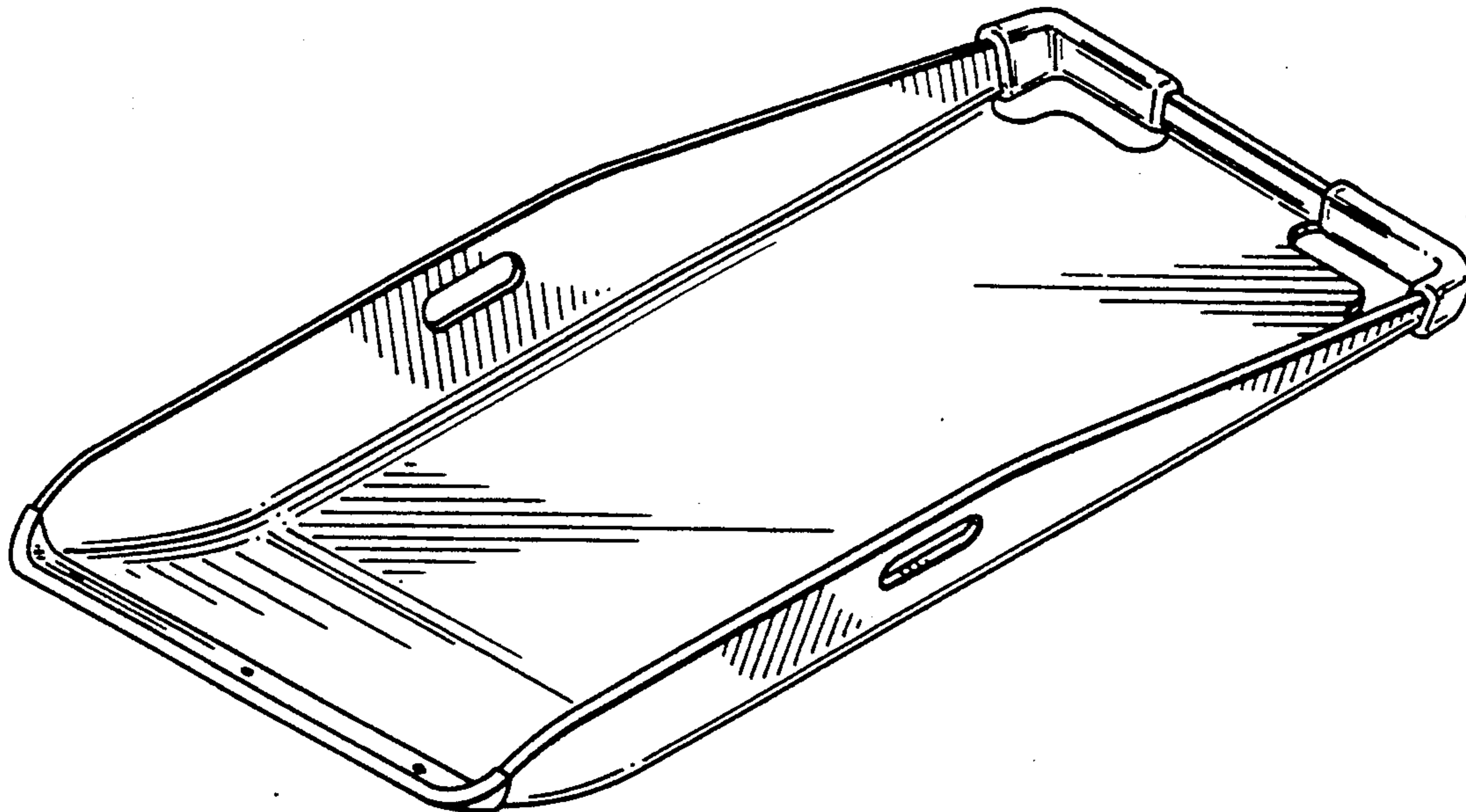
Primary Examiner—Wallace R. Burke  
Assistant Examiner—Lavone D. Tabor  
Attorney, Agent, or Firm—James A. Bargfrede

[57] CLAIM

The ornamental design for a snow scoop, as shown and described.

DESCRIPTION

FIG. 1 is a perspective view of a snow scoop showing our new design;  
FIG. 2 is a top plan view thereof;  
FIG. 3 is a side elevational view thereof, the opposite side being a mirror image;  
FIG. 4 is a bottom plan view thereof;  
FIG. 5 is a front elevational view thereof; and  
FIG. 6 is a rear elevational view thereof.



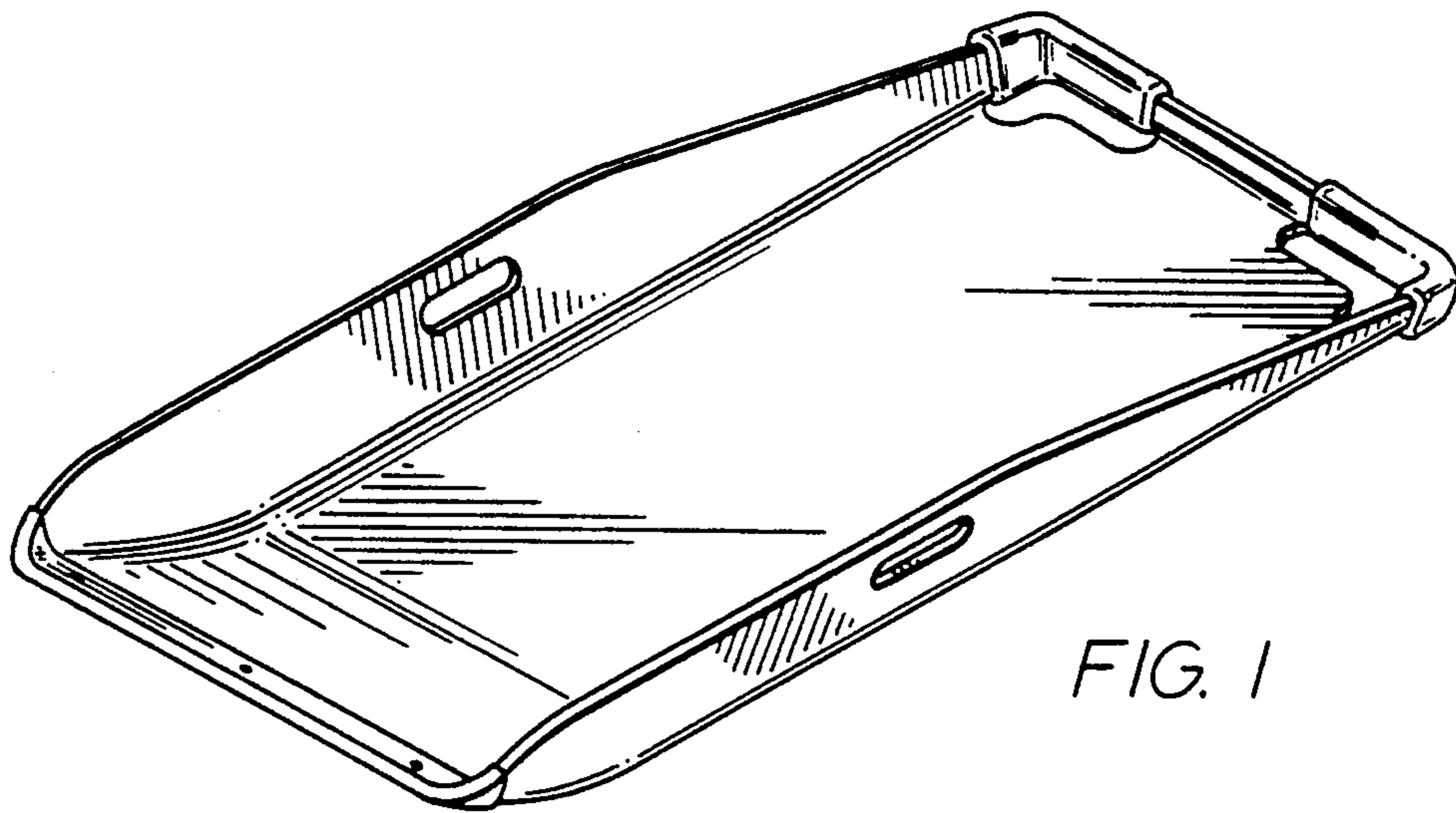


FIG. 1

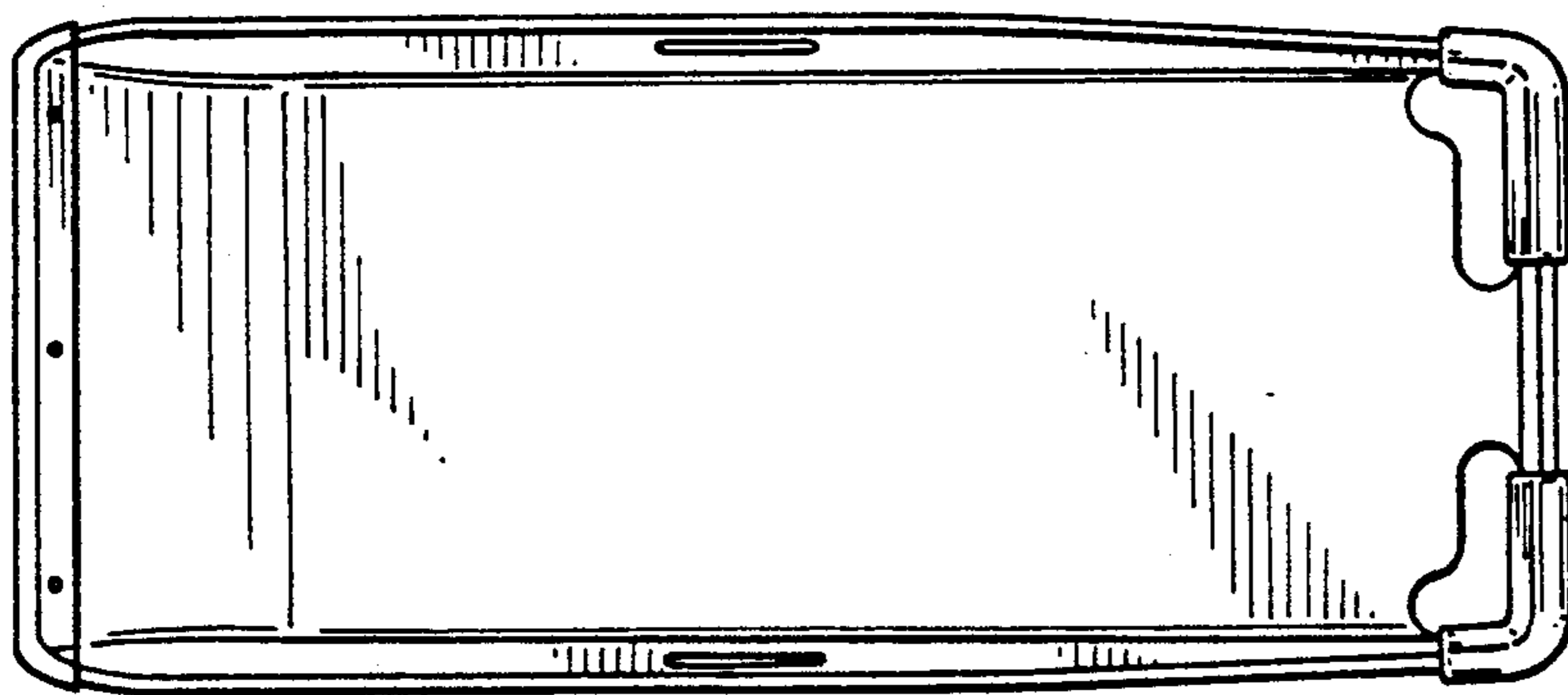


FIG. 2

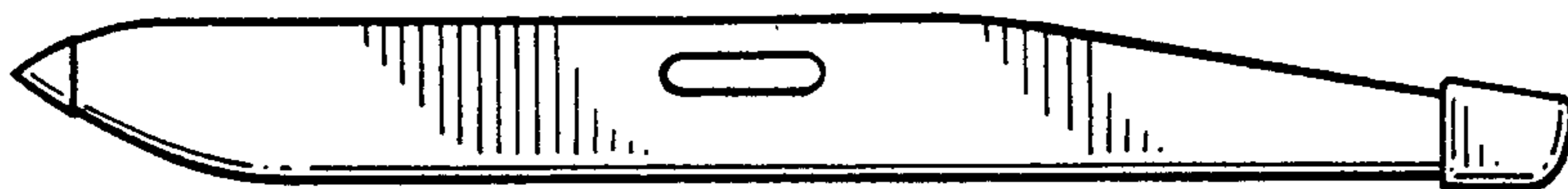


FIG. 3

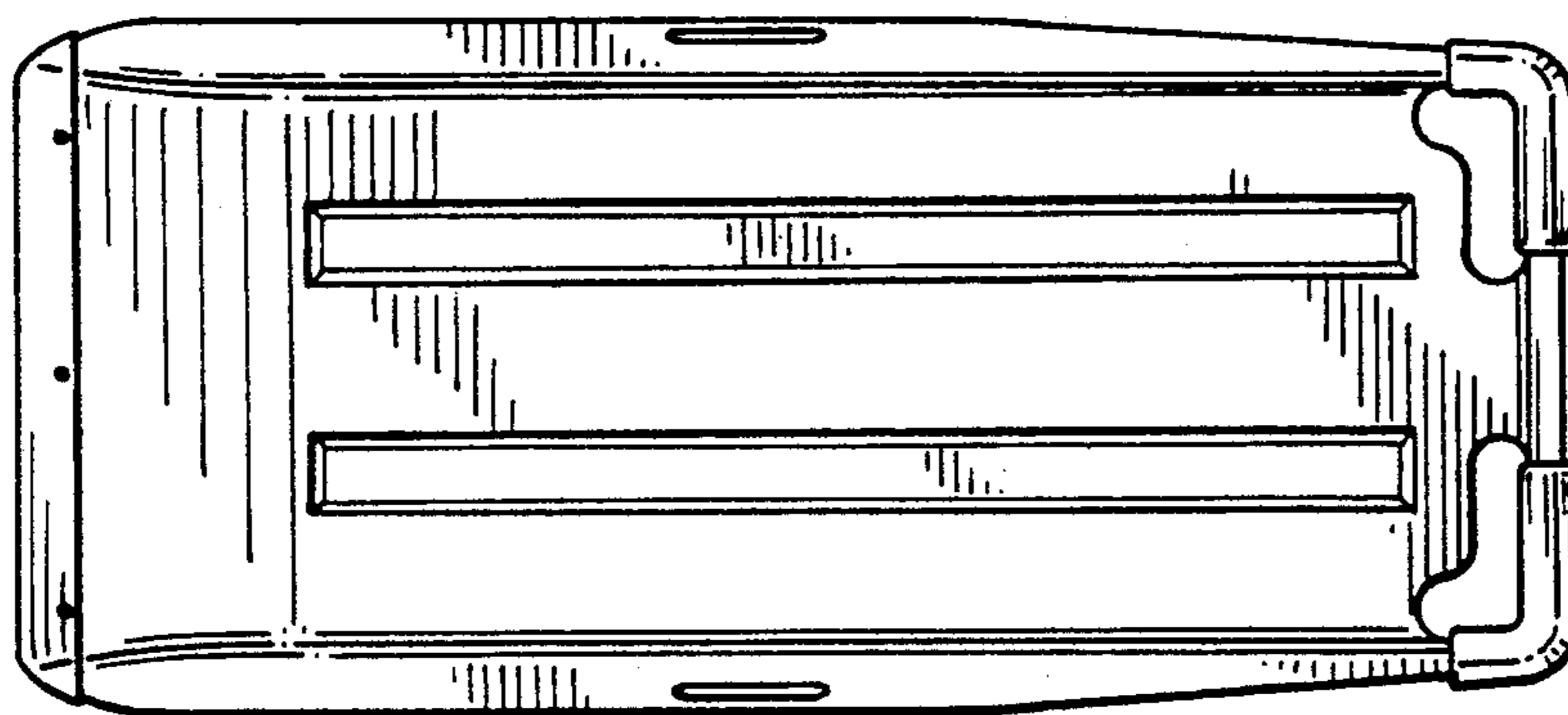


FIG. 4

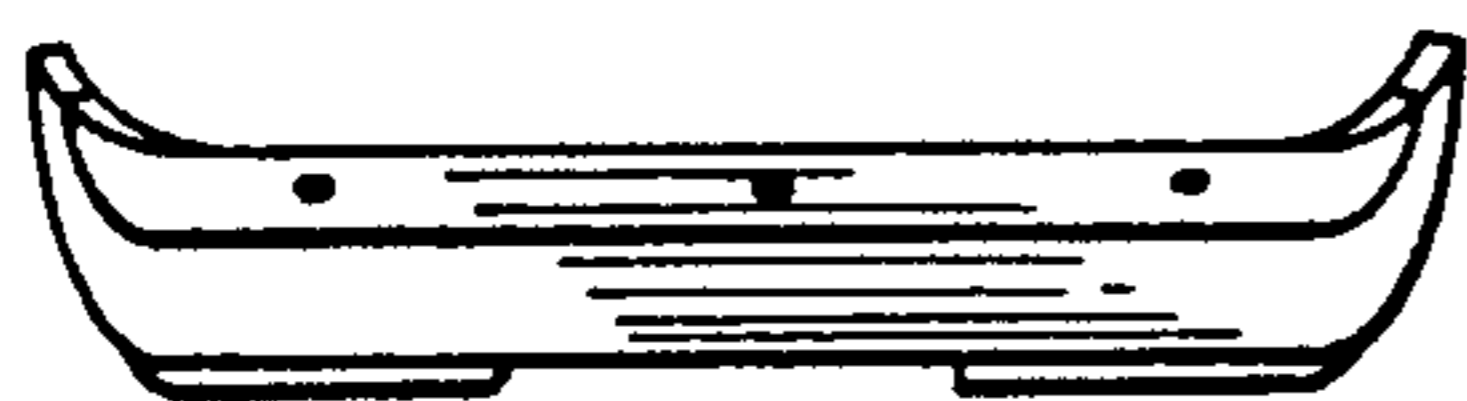


FIG. 5

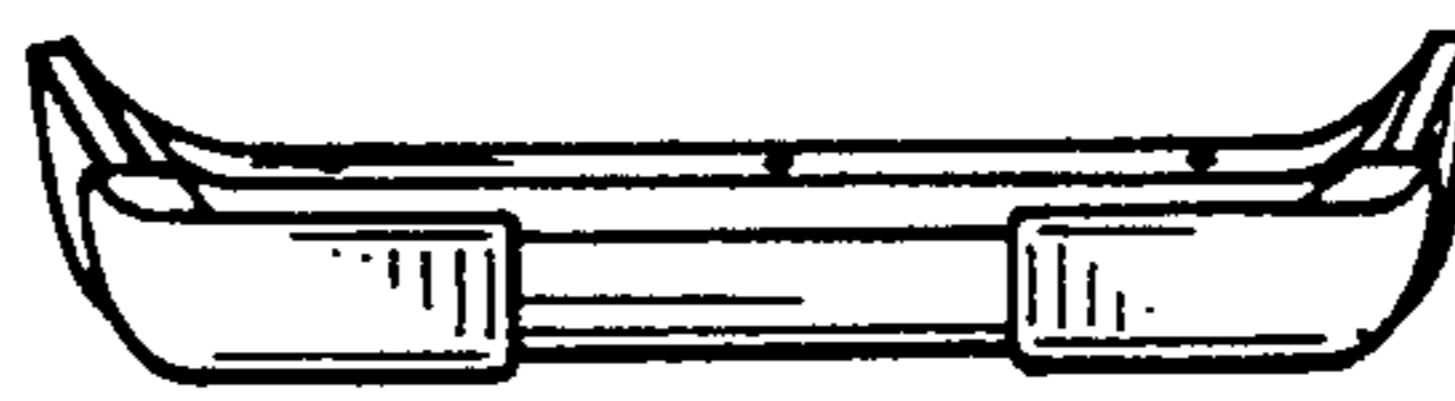


FIG. 6