

[54] HAND-HELD MIXER

[75] Inventor: Ian G. Wilson, Cheltenham, Australia

[73] Assignee: Sunbeam Corporation Limited, Campsie, Australia

[\*\*] Term: 14 Years

[21] Appl. No.: 276,436

[22] Filed: Nov. 23, 1988

[30] Foreign Application Priority Data

May 27, 1988 [AU] Australia ..... 1723/88  
[52] U.S. Cl. .... D7/379  
[58] Field of Search ..... D7/376, 379, 380, 386, D7/412, 414, 415, 646, 368; D8/61, 68; 366/129, 279, 601

[56] References Cited

U.S. PATENT DOCUMENTS

D. 201,897 8/1965 Frost ..... D7/379  
D. 207,859 6/1967 Weiss ..... D7/379

D. 220,883 6/1971 Steinkamp ..... D7/379  
D. 234,333 2/1975 Mantelet ..... D7/379  
D. 309,079 7/1990 Petrie et al. .... D7/379

OTHER PUBLICATIONS

*Hong Kong Household*, Jun. 1985 catalog, p. 64, "5 Speed Super Mixer"/left col., Wilfred Enterprises, Ltd.  
*Krups 86/87 Catalog*, p. 15, "Krupps Duo Mix", Art. No. 728-bottom left.

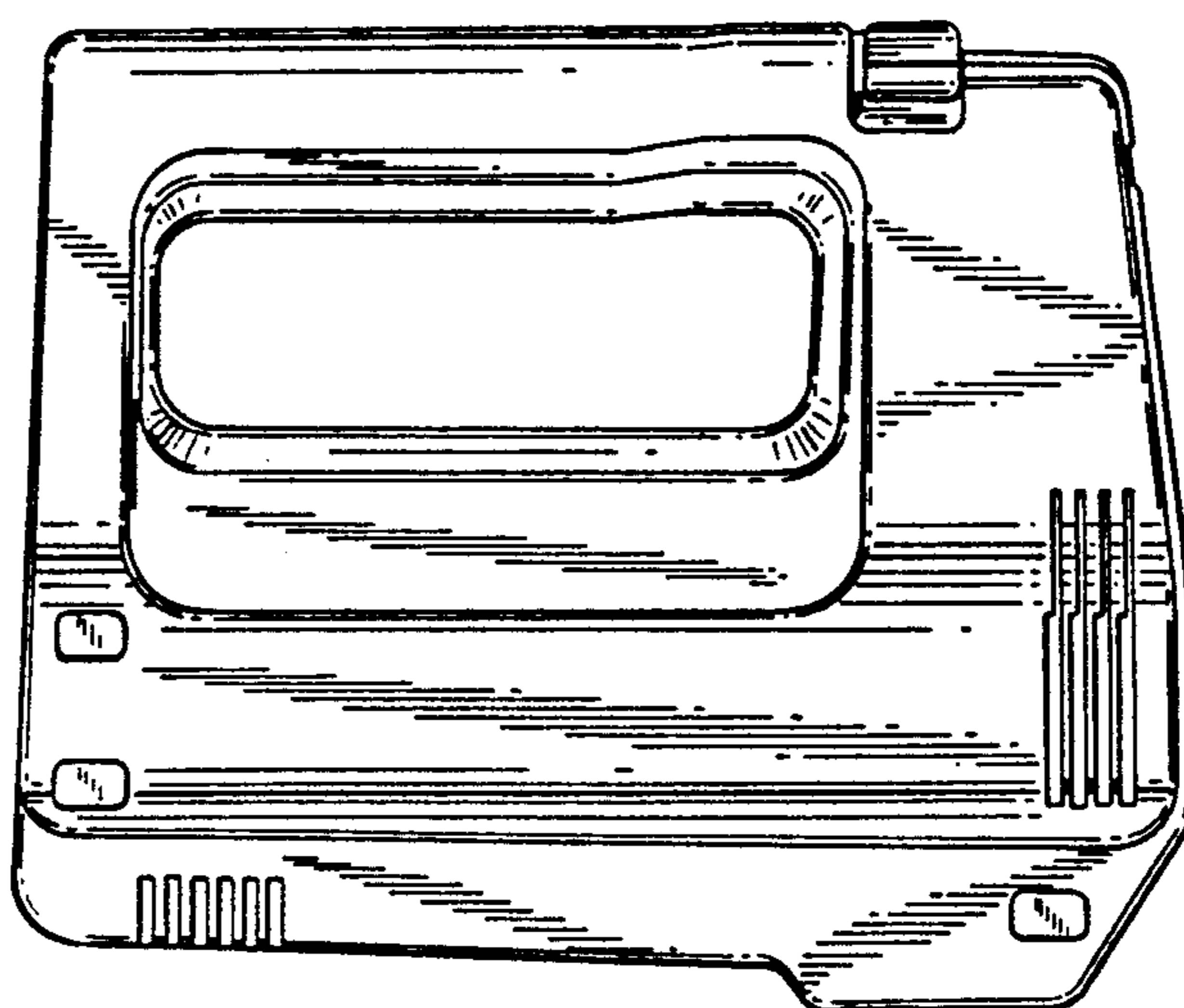
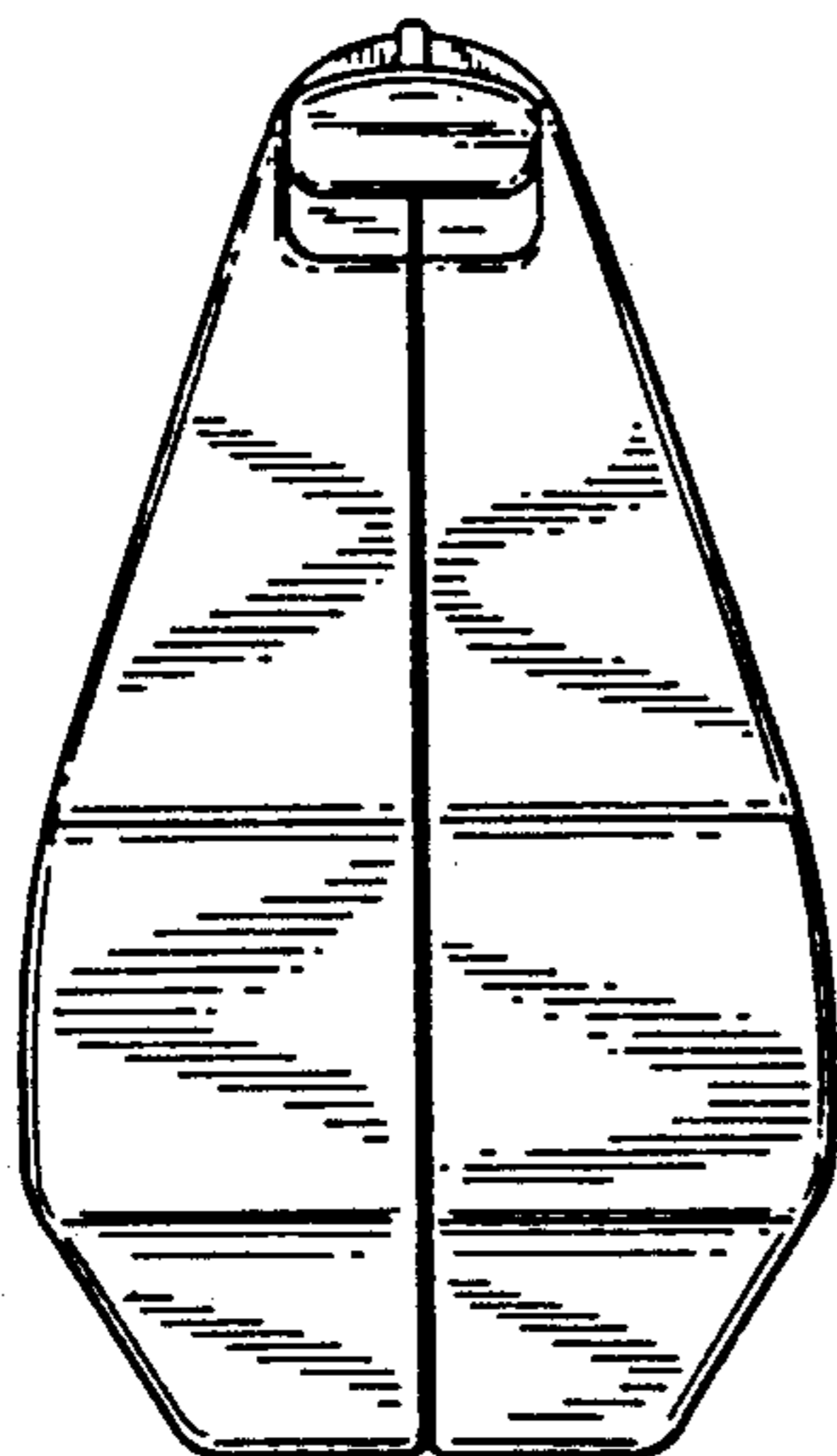
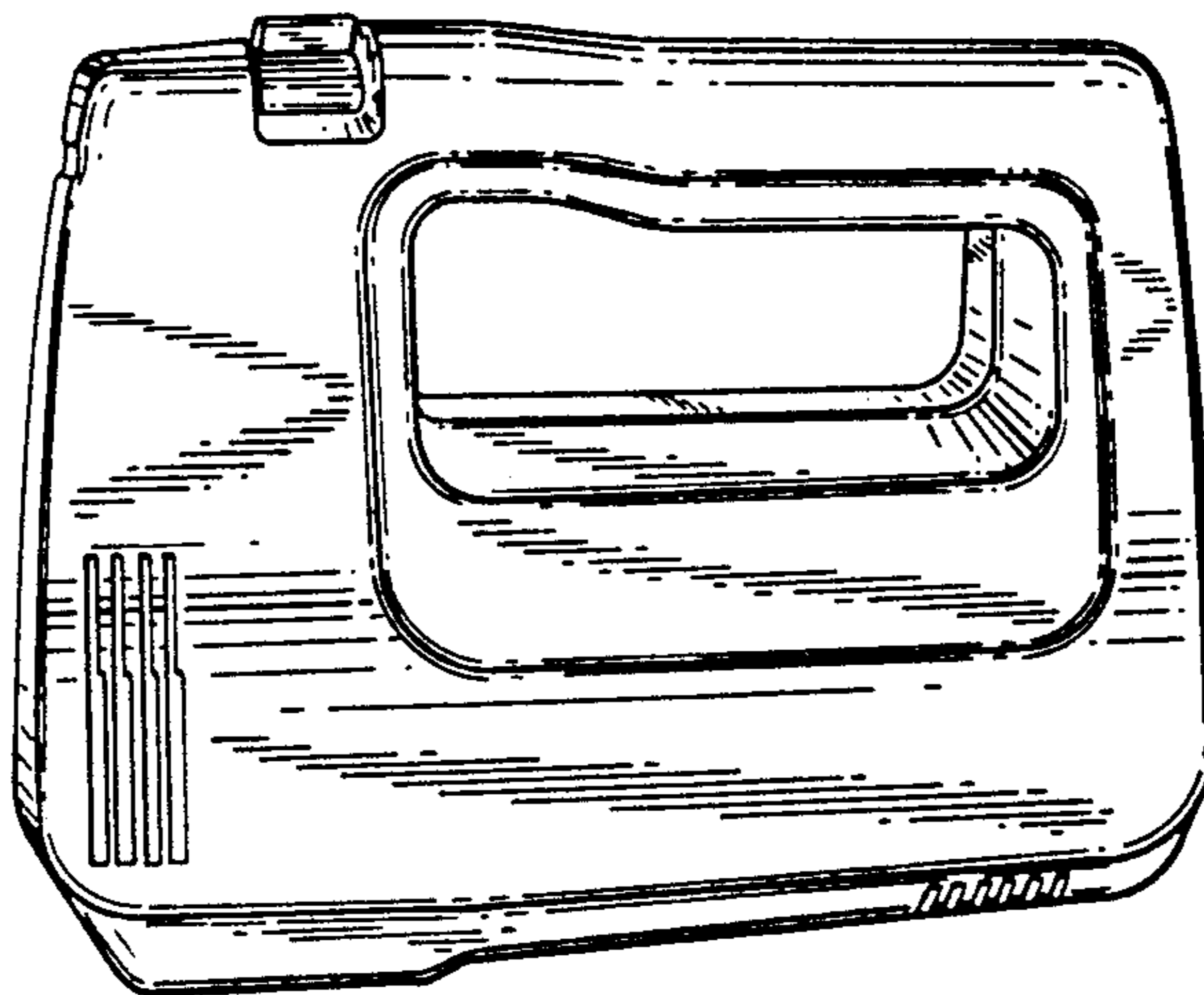
Primary Examiner—Winifred E. Herrmann  
Attorney, Agent, or Firm—Ladas & Parry

[57] CLAIM

The ornamental design for a hand-held mixer, as shown.

DESCRIPTION

FIG. 1 is a perspective view of a hand-held mixer showing my new design;  
FIG. 2 is a front elevational view thereof;  
FIG. 3 is a rear elevational view thereof;  
FIG. 4 is a left side elevational view thereof;  
FIG. 5 is a bottom plan view thereof;  
FIG. 6 is a top plan view thereof; and  
FIG. 7 is a right side elevational view thereof.



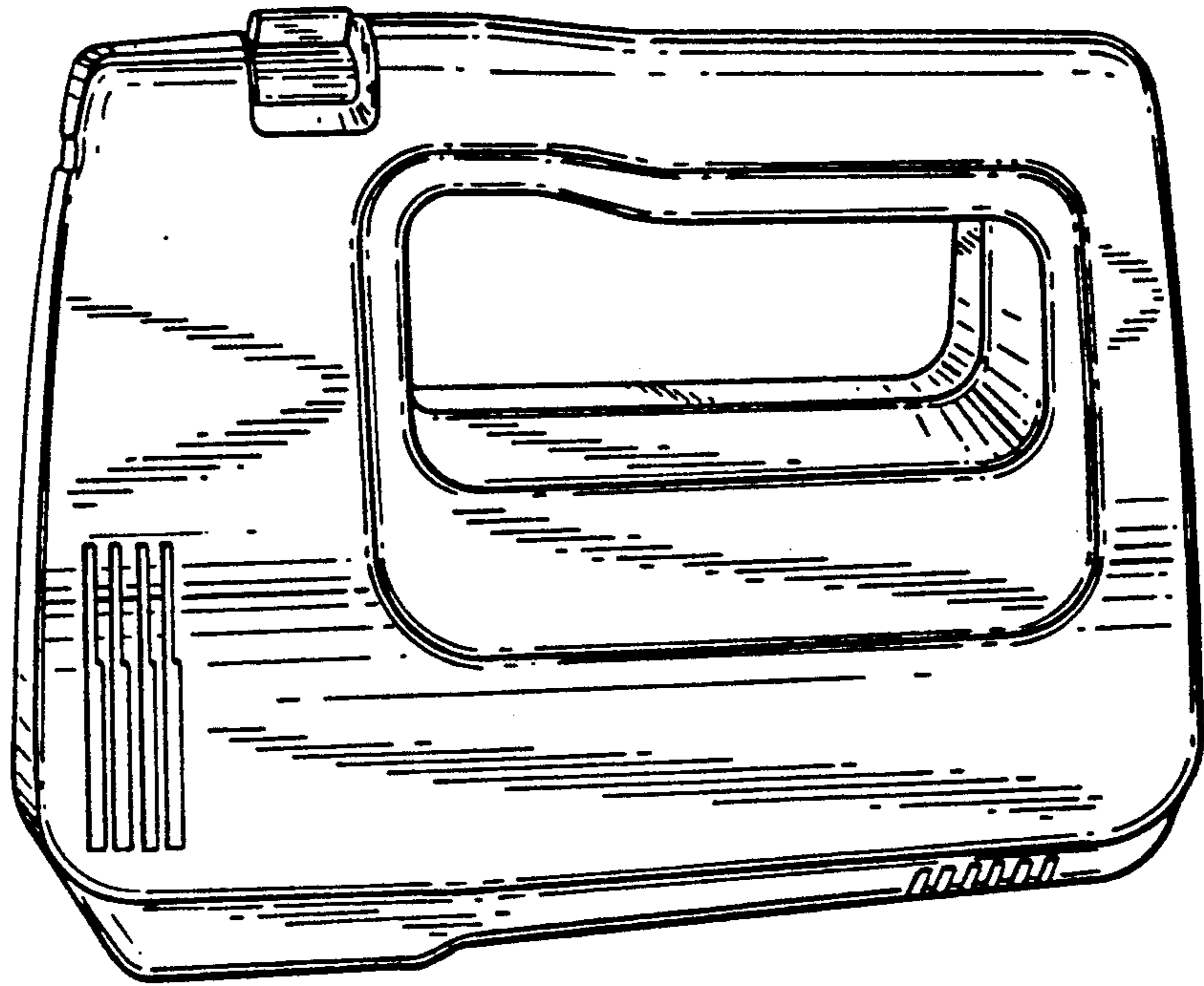


FIG. 1

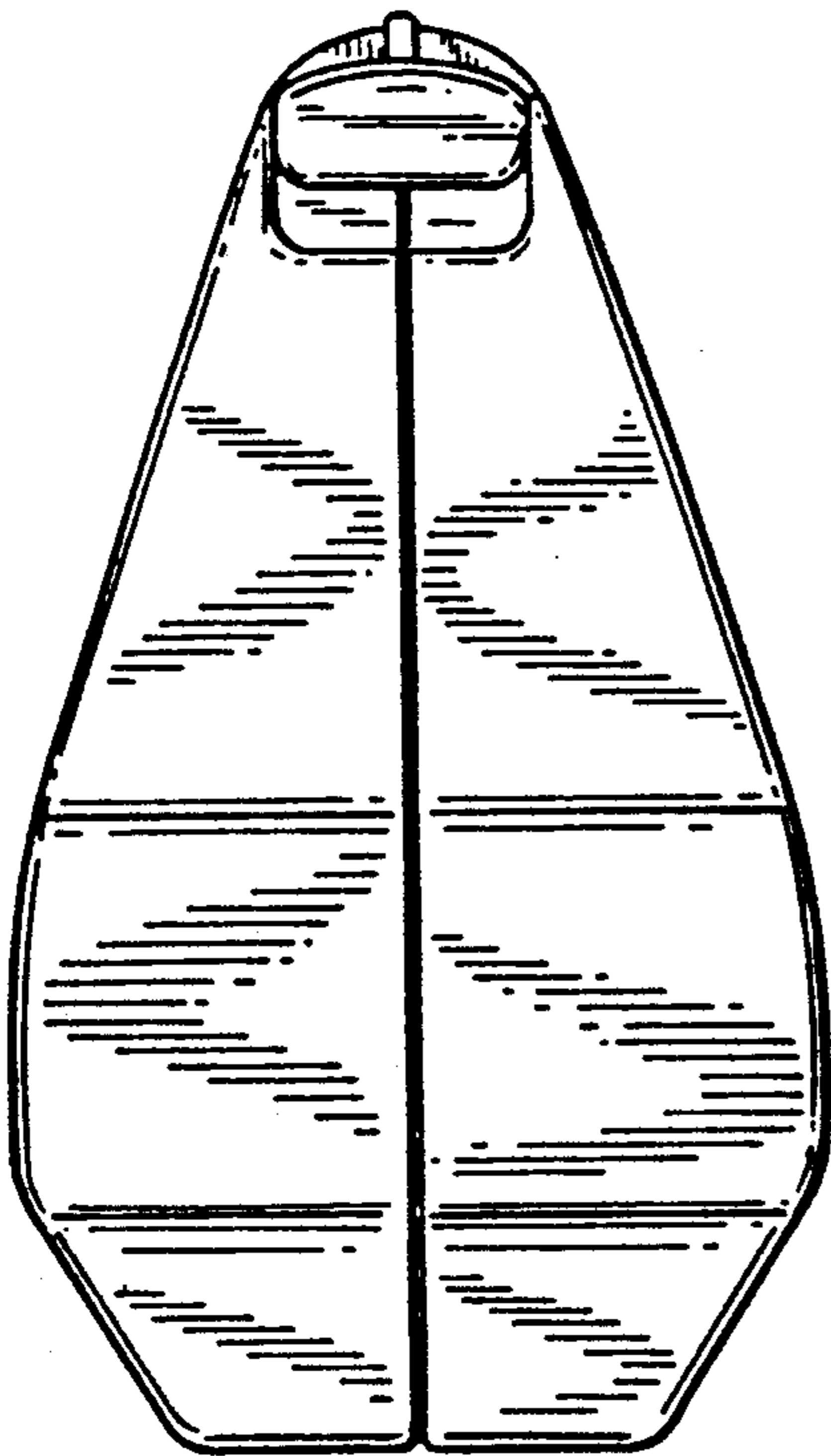


FIG. 2

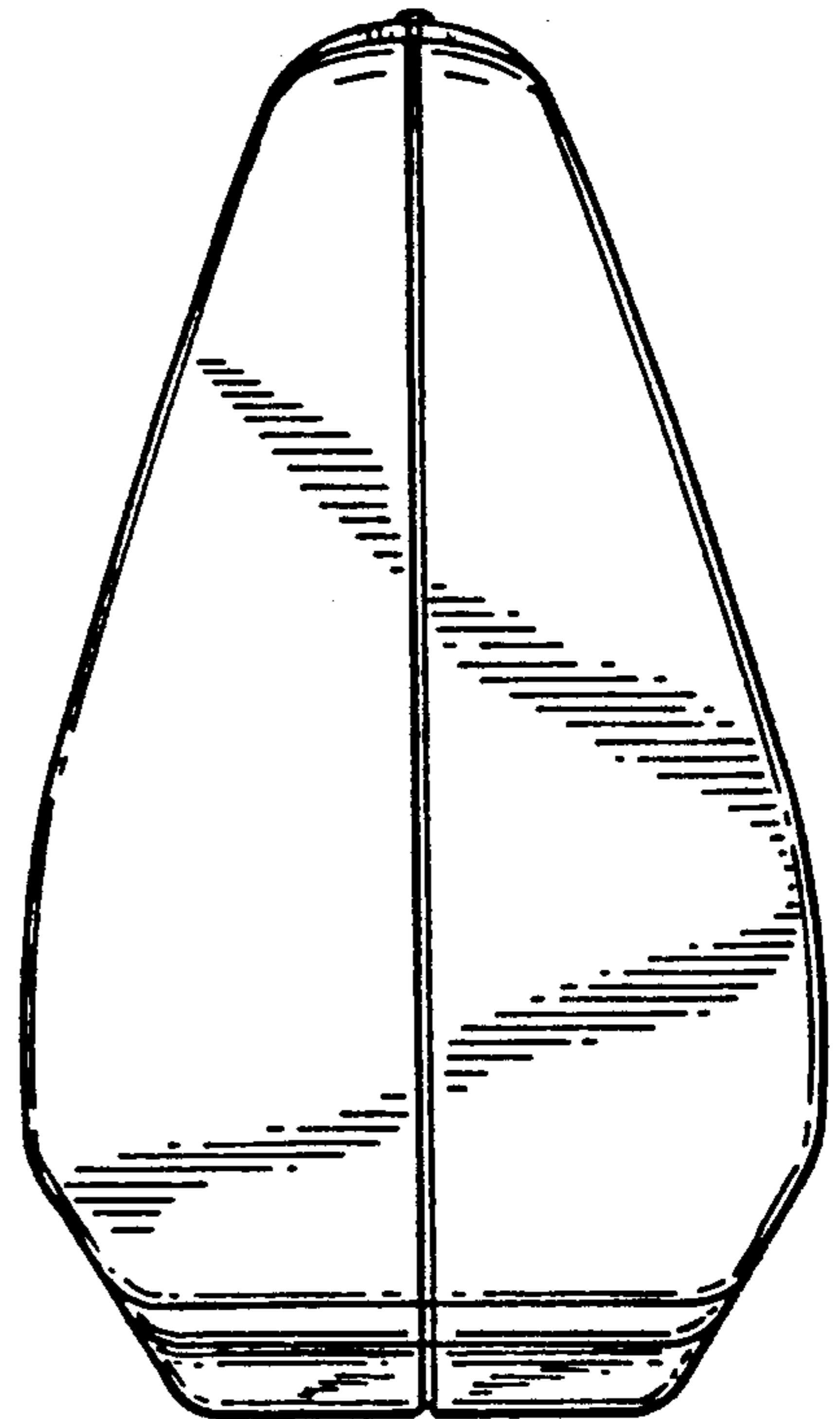


FIG. 3

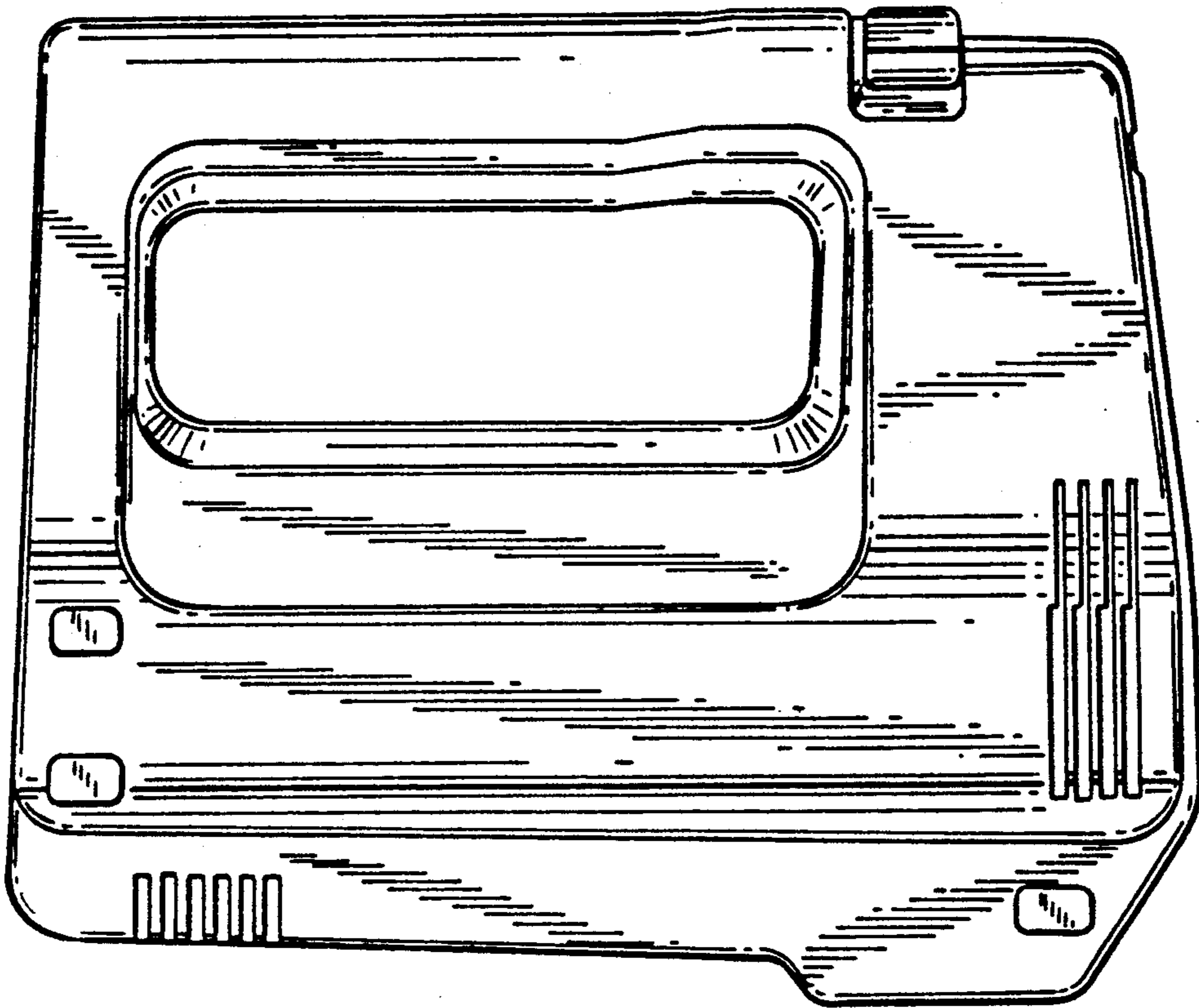


FIG. 4

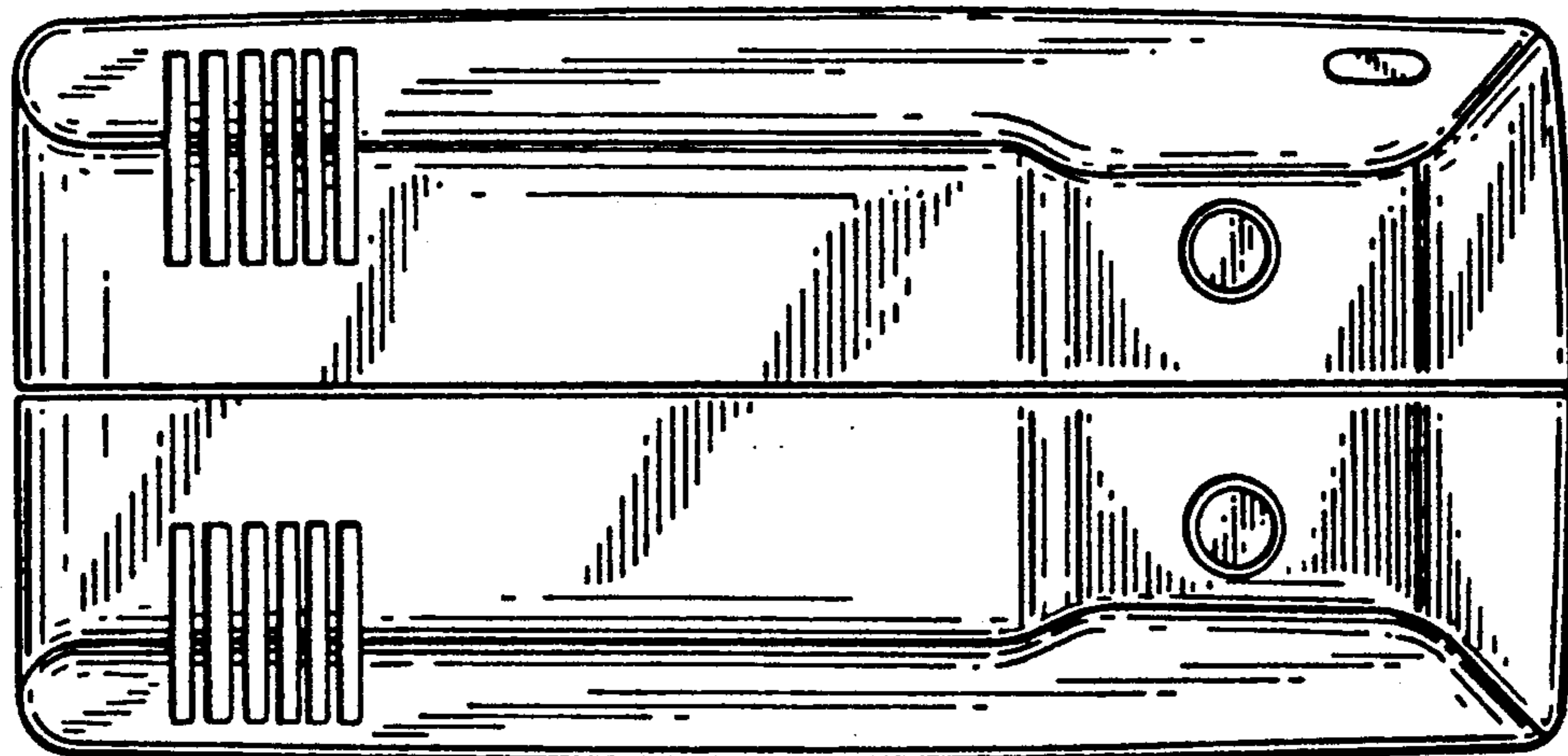


FIG. 5

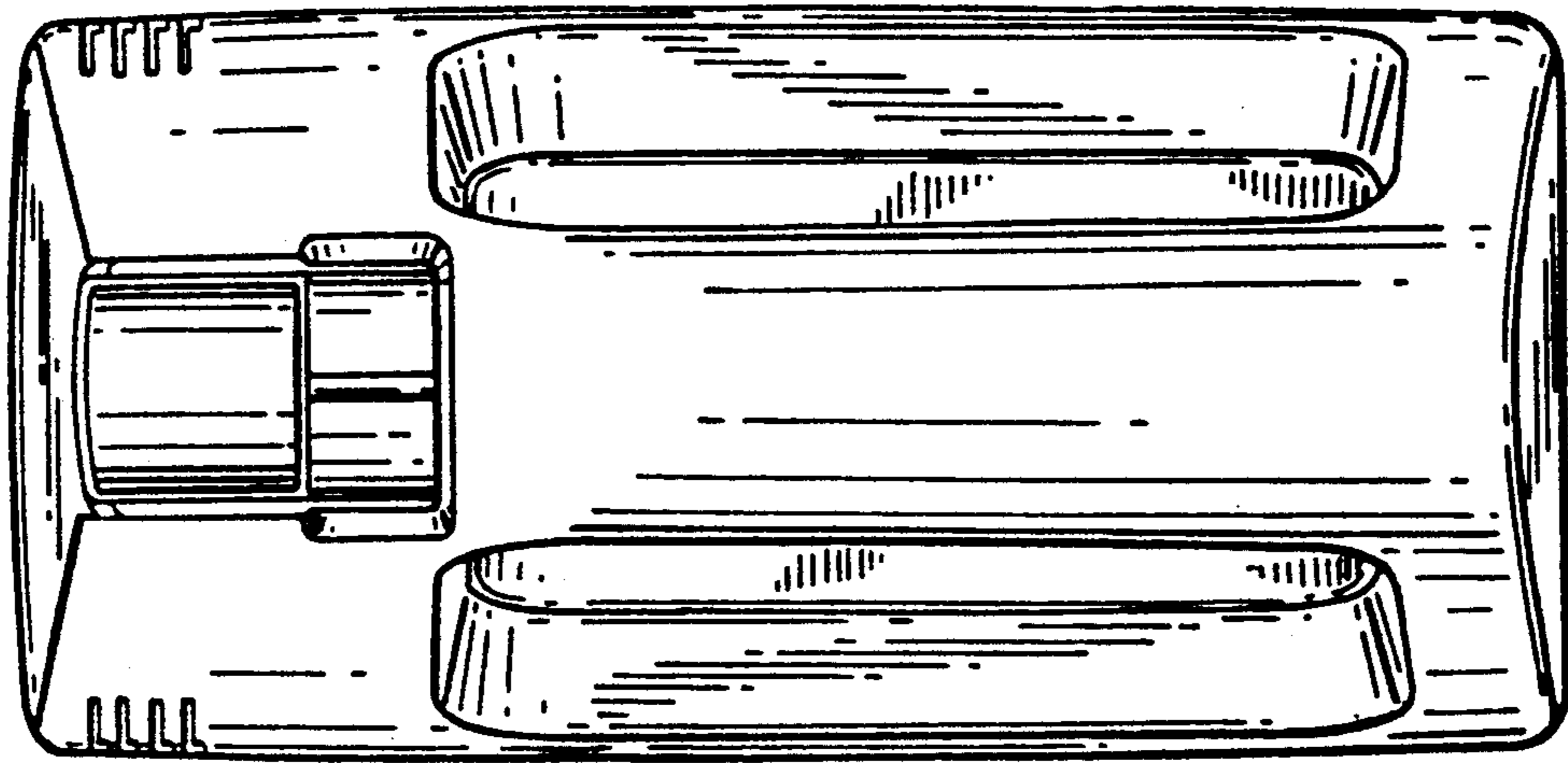


FIG. 6

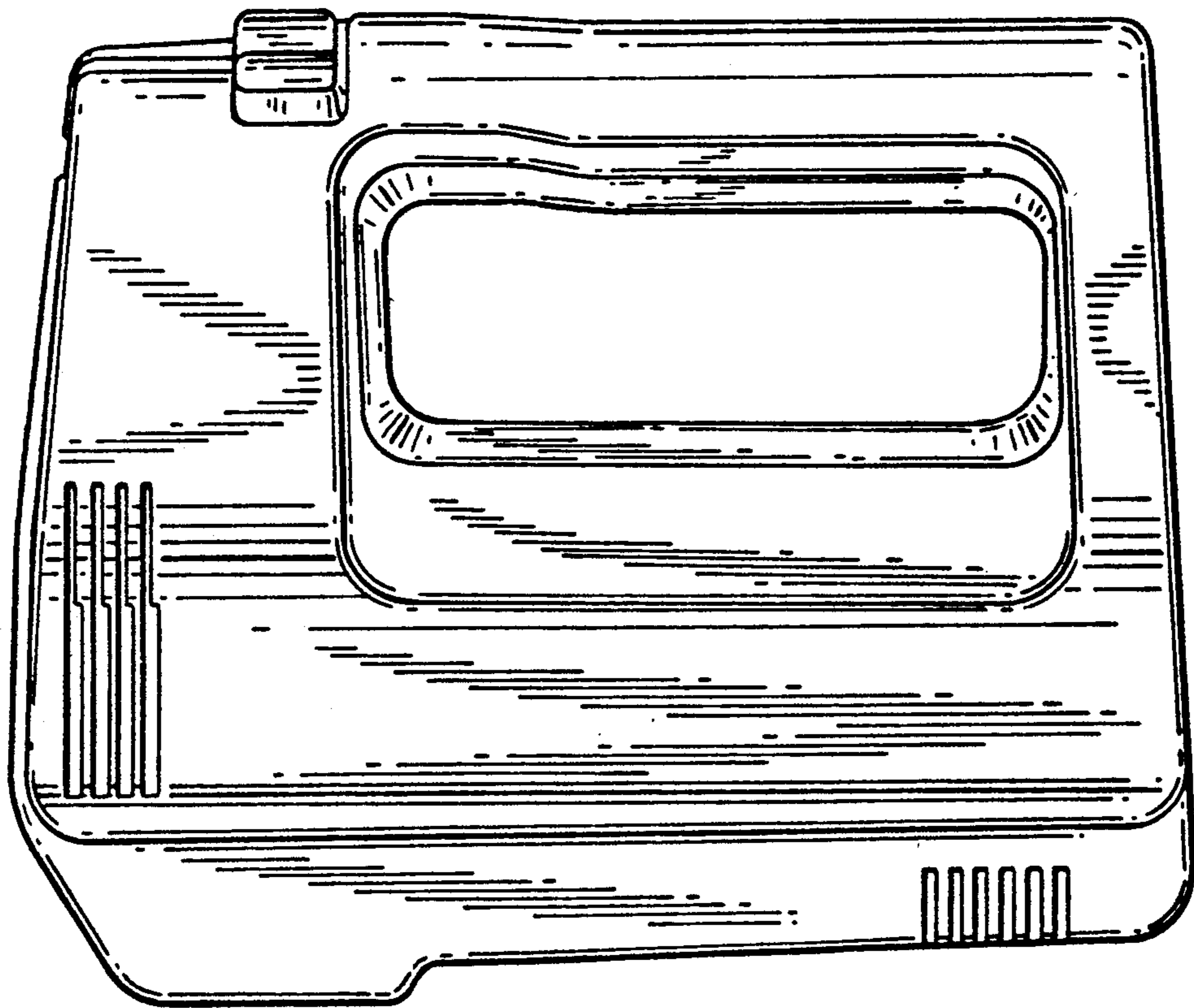


FIG. 7