

[54] **WALL SHELF**

4,036,369 7/1977 Eisenberg 211/90 X

[75] **Inventor: Jody A. Hobson, Rocky River, Ohio**

Primary Examiner—Brian N. Vinson

Attorney, Agent, or Firm—Richard B. O'Planick

[73] **Assignee: Rubbermaid Incorporated, Wooster, Ohio**

[57] **CLAIM**

The ornamental design for a wall shelf, as shown and described.

[**] **Term: 14 Years**

[21] **Appl. No.: 392,377**

[22] **Filed: Aug. 11, 1989**

[52] **U.S. Cl. D6/574**

[58] **Field of Search D6/524-525,
D6/552-553, 567, 574, 511; 108/28, 59, 149;
211/13, 86-88, 90, 126, 134; 248/235**

[56] **References Cited**

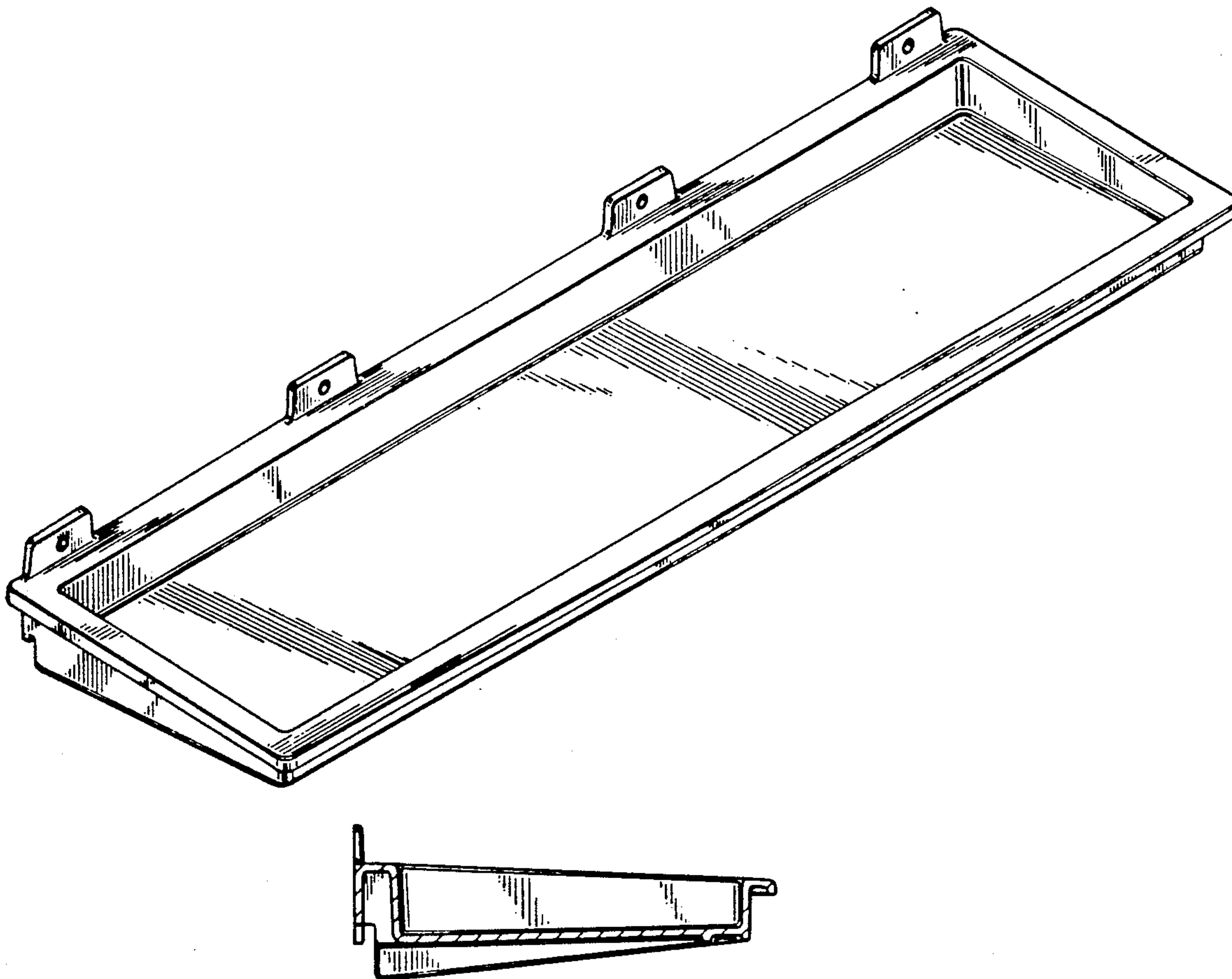
U.S. PATENT DOCUMENTS

2,817,566 12/1957 Herman 108/149 X

3,437,214 4/1969 Sainsbury 211/90

DESCRIPTION

FIG. 1 is a top, front, and left side perspective view of a wall shelf showing my new design; FIG. 2 is a top plan view thereof; FIG. 3 is a bottom plan view thereof; FIG. 4 is a front elevational view thereof; FIG. 5 is a rear elevational view thereof; FIG. 6 is a left side elevational view thereof, the right side being a mirror image of that shown; and FIG. 7 is a vertical cross-sectional view thereof, taken along line 7-7 of FIG. 4.



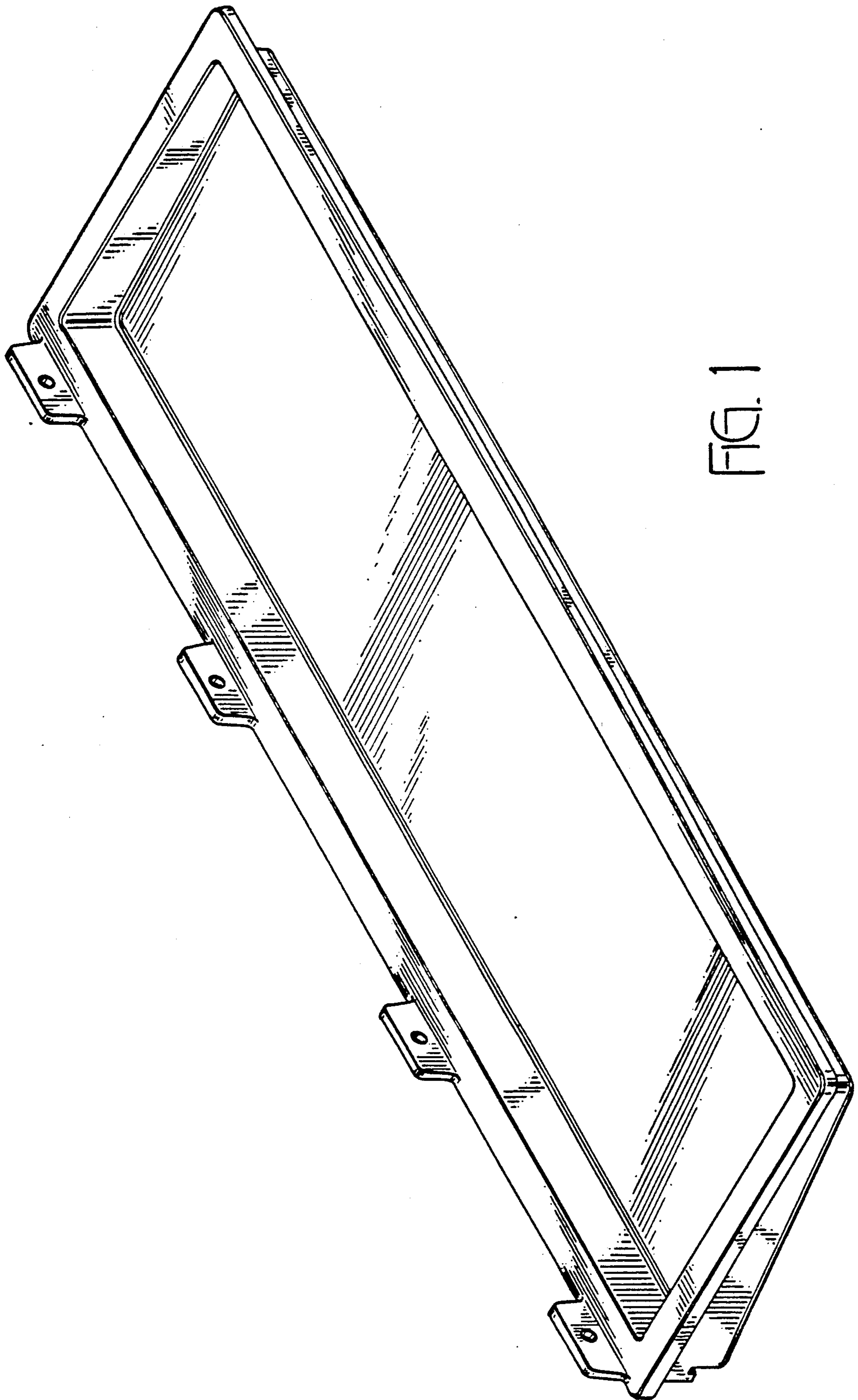


FIG. 1

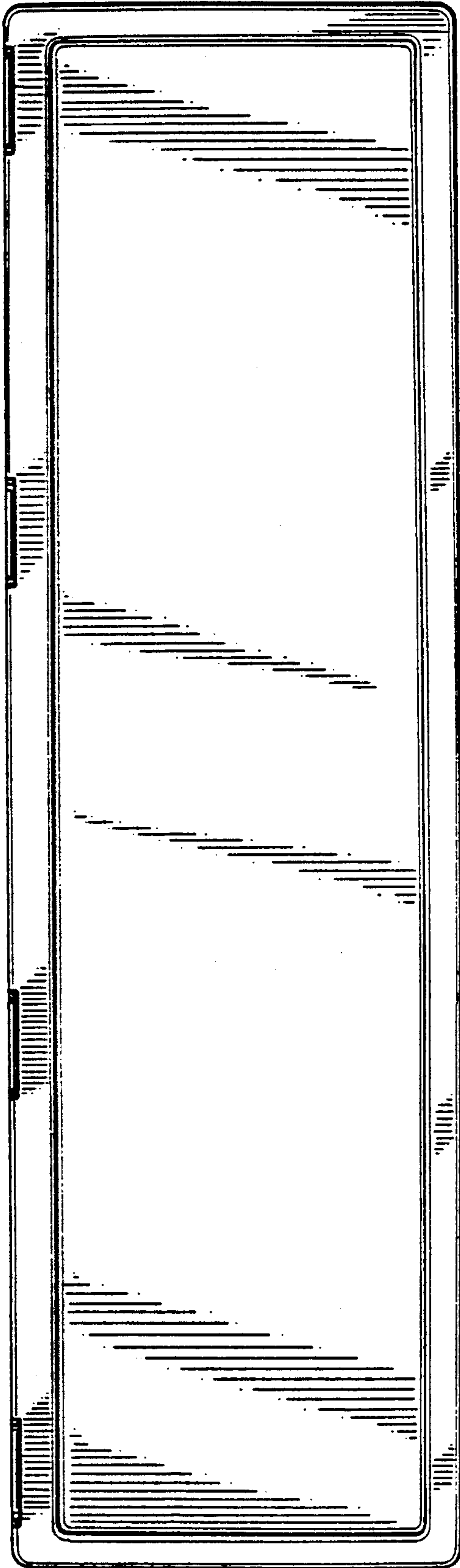


FIG. 2

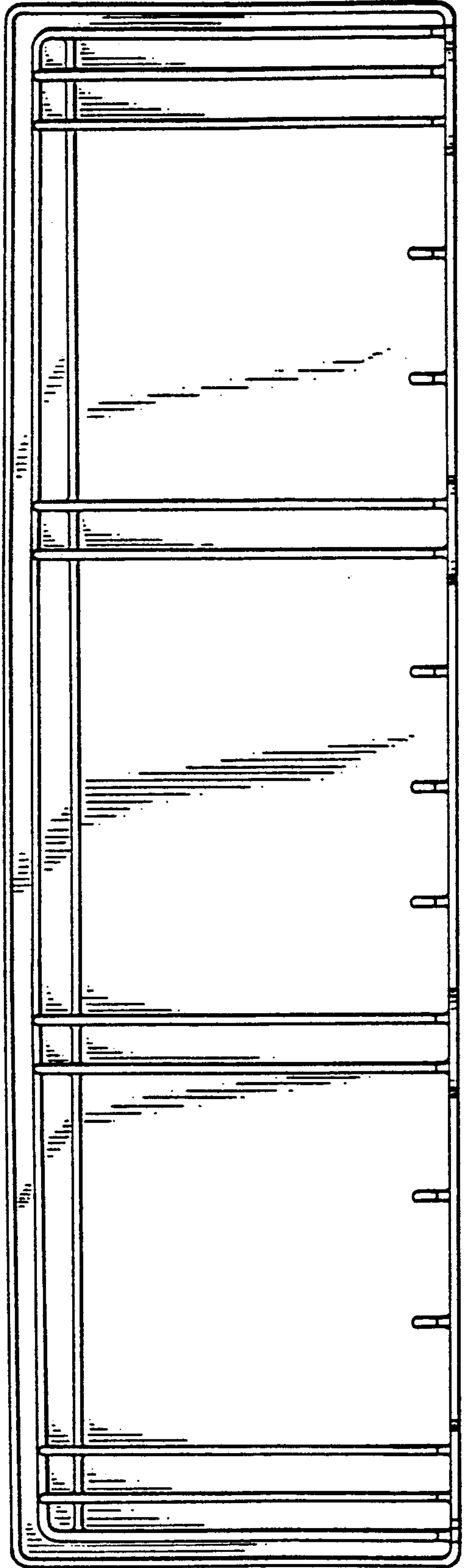


FIG. 3

