

[54] PORTABLE SCREEN

[76] Inventors: Stephen A. Steward, 105 W. 4th St., Medford, Oreg. 97501; Albert C. Steward, 135 Nevada St., Klamath Falls, Oreg. 97601

[\*\*] Term: 14 Years

[21] Appl. No.: 359,418

[22] Filed: May 31, 1989

[52] U.S. Cl. .... D6/332; D6/396; D6/410; D6/411; D6/429; D6/440

[58] Field of Search ..... D6/332, 310-314, D6/332, 338, 406, 417, 419, 420-428, 434, 553, 556, 559, 560, 563; D7/550, 698, 699; D10/87, 88, 90, 91, 92; D19/75, 88, 91; 40/352, 356, 344, 357; 108/1, 6, 8; 248/441.1, 442.2, 444.1; 312/196-199; 4/596-599, 605, 604, 607, 611, 612; D25/16; D23/283, 303, 304

[56] References Cited

U.S. PATENT DOCUMENTS

- D. 221,769 9/1971 LeBlanc et al. .... D23/283
- D. 274,558 7/1984 James ..... D25/16

- D. 305,689 1/1990 Lerch ..... D25/16
- 1,061,565 5/1913 Pride ..... 4/599
- 1,288,518 12/1918 Collier ..... D25/16 X
- 2,389,724 11/1945 Falco ..... 4/612 X
- 3,080,568 3/1963 Burnett ..... 4/599 X
- 3,293,664 12/1966 Coons ..... 4/599
- 3,629,875 12/1971 Dow ..... 4/599
- 4,807,310 2/1989 Sedala ..... 4/599
- 4,975,992 12/1990 Patterson et al. .... 4/599

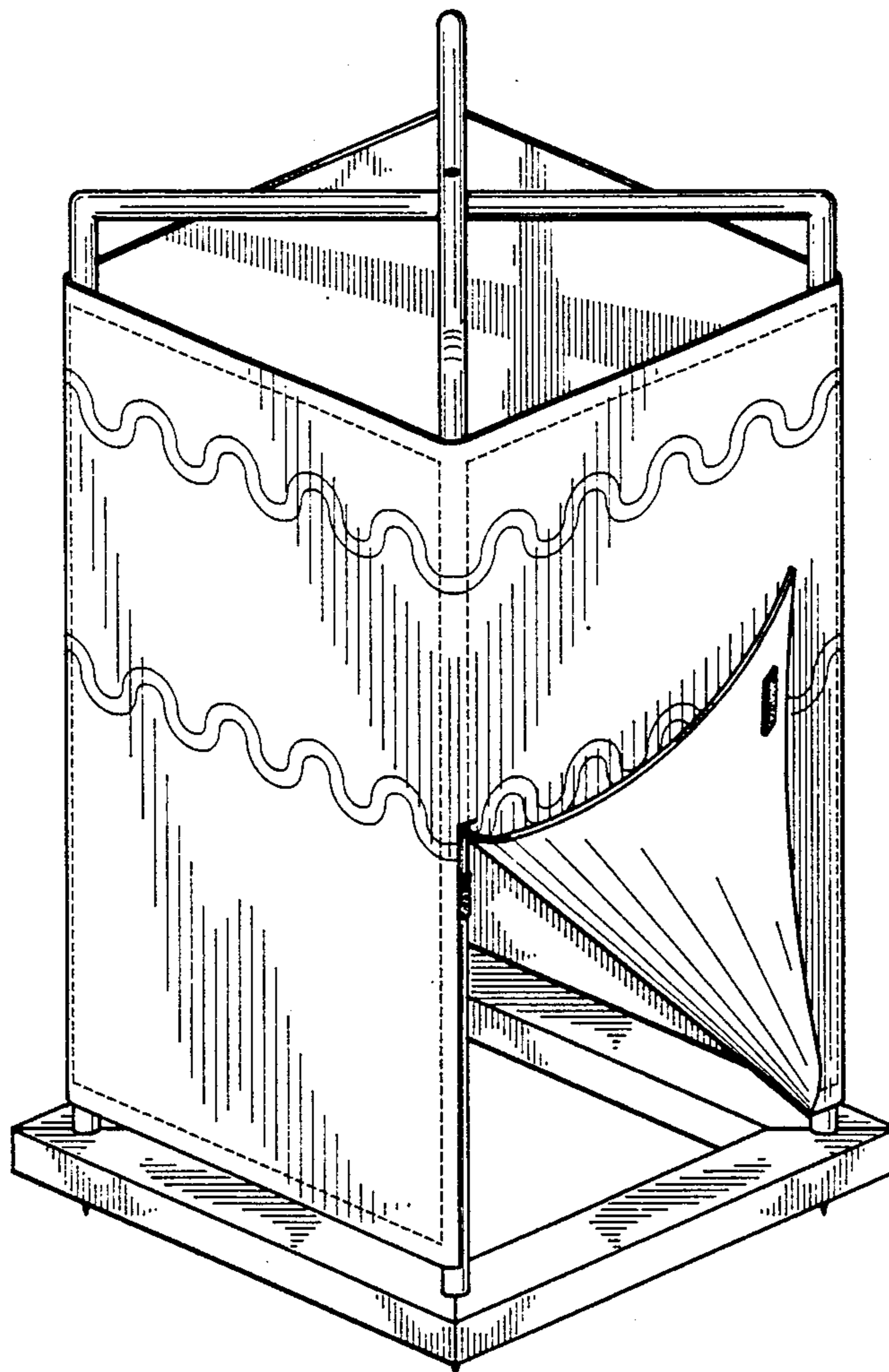
Primary Examiner—Bruce W. Dunkins  
Assistant Examiner—Monica A. Hannon  
Attorney, Agent, or Firm—Jerry T. Kearns

[57] CLAIM

The ornamental design for a portable screen, as shown and described.

DESCRIPTION

FIG. 1 is a front elevational view of a portable screen showing our new design;  
FIG. 2 is a rear elevational view thereof;  
FIG. 3 is a left side elevational view thereof;  
FIG. 4 is a right side elevational view thereof;  
FIG. 5 is a top plan view thereof;  
FIG. 6 is a bottom plan view thereof; and,  
FIG. 7 is a perspective view thereof.



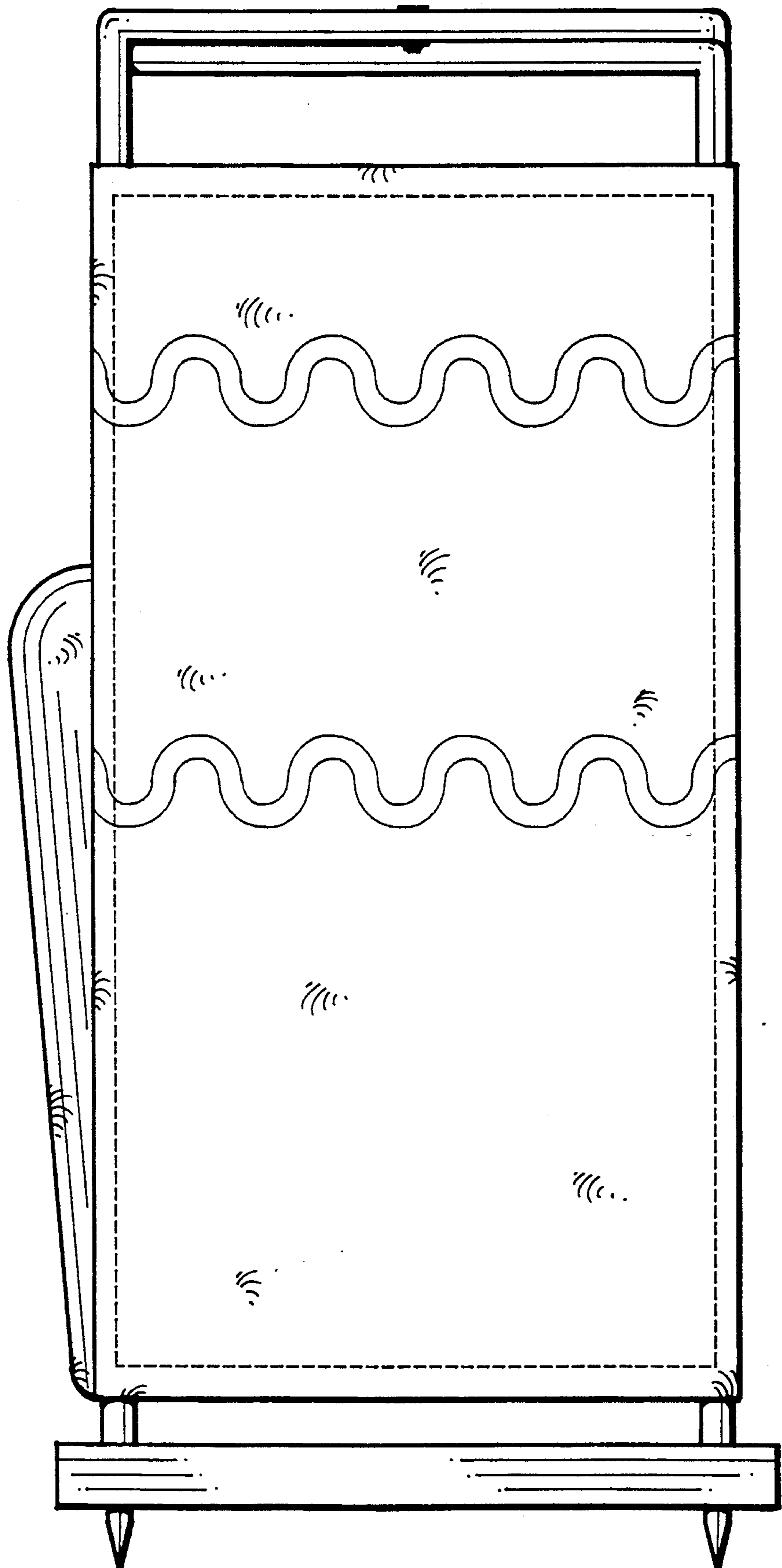


Fig. 1

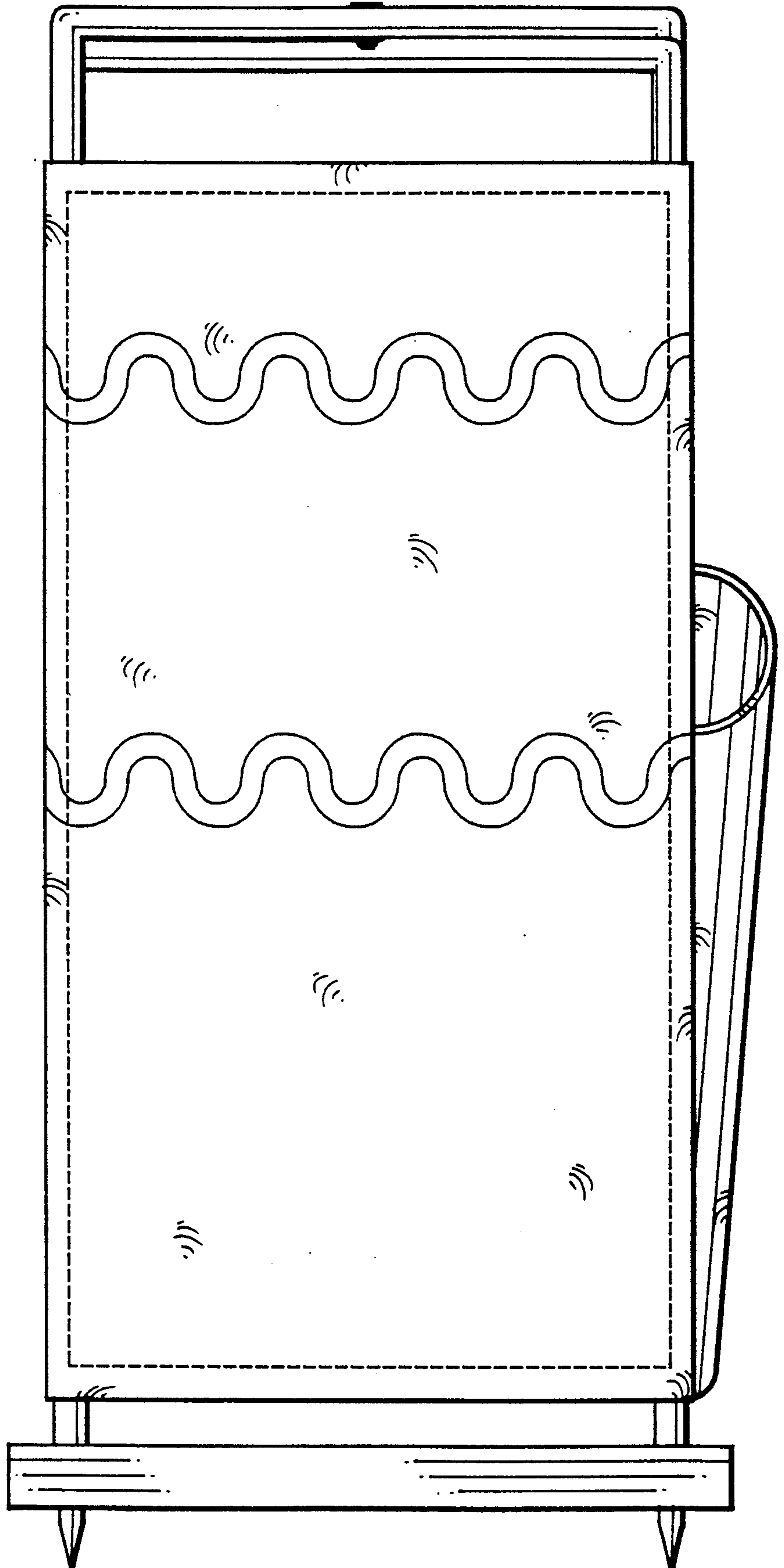


Fig. 2

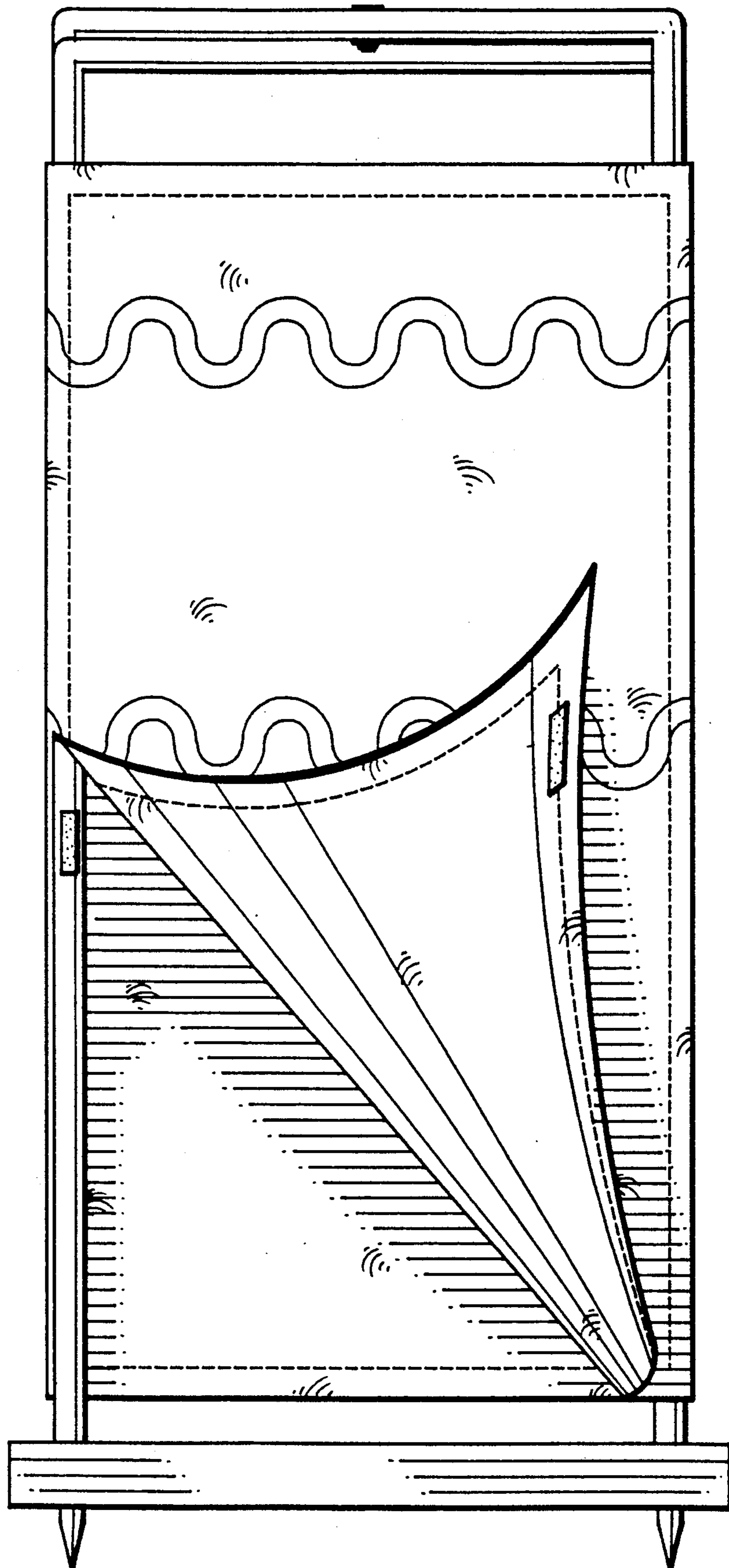


Fig. 3

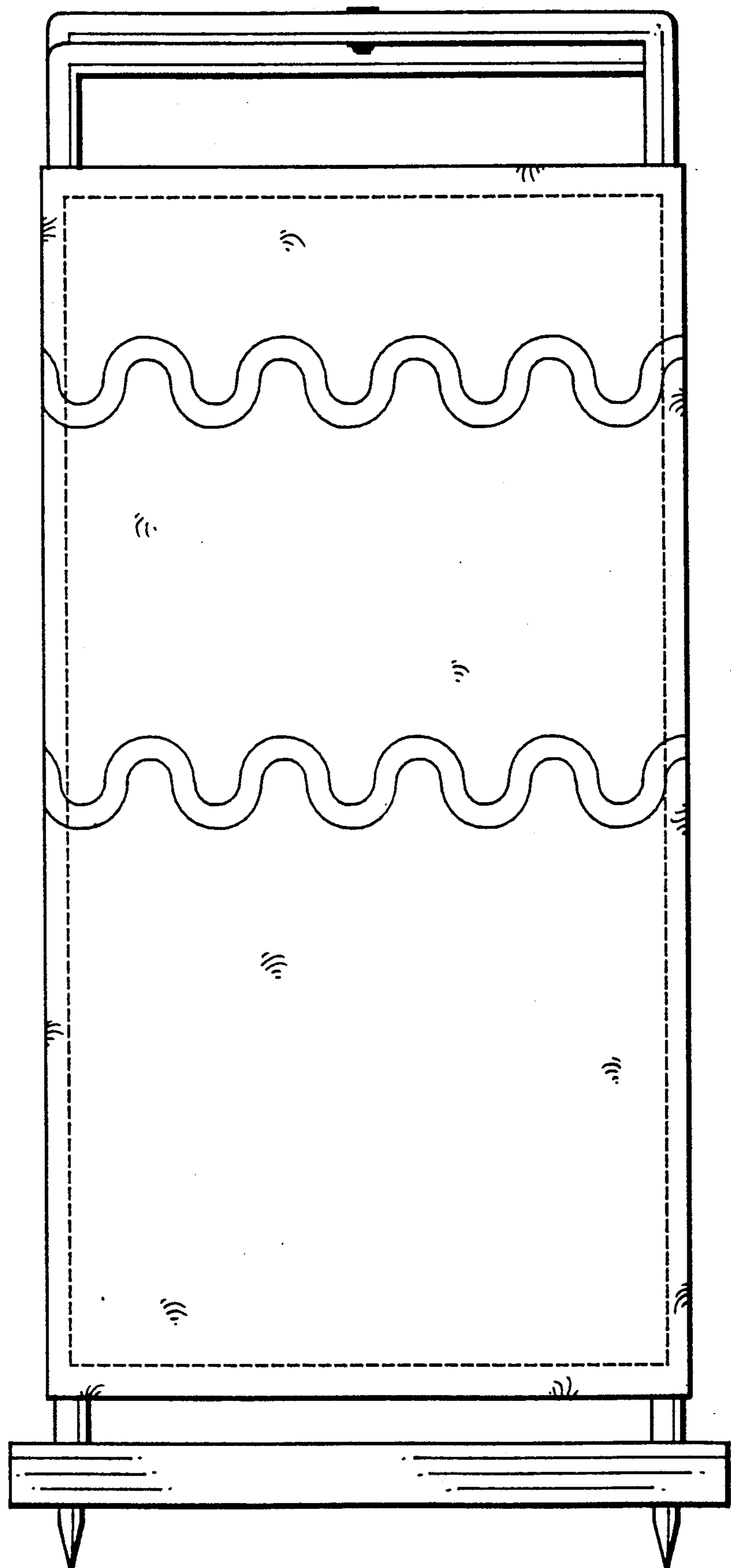


Fig. 4

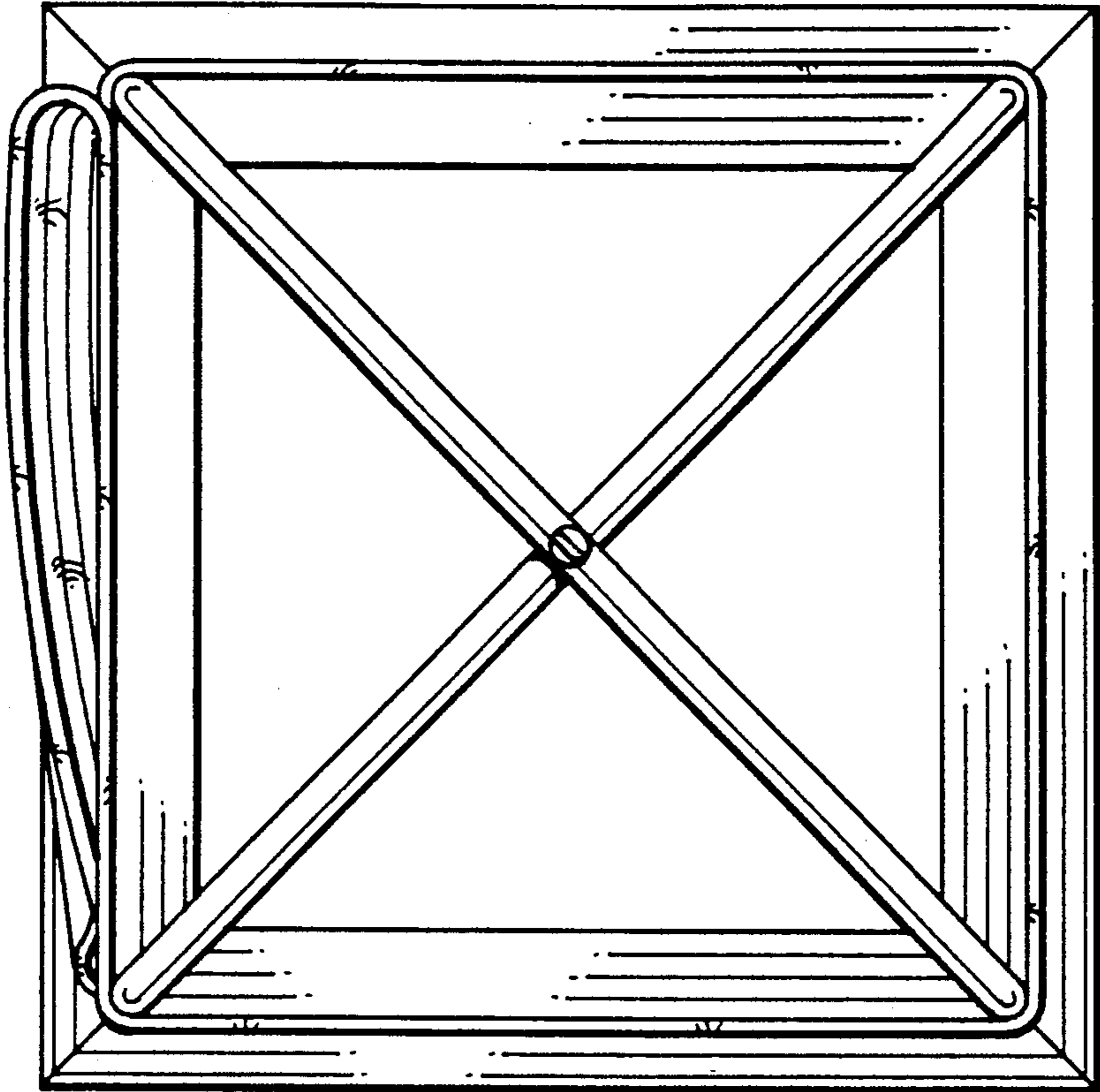


Fig. 5

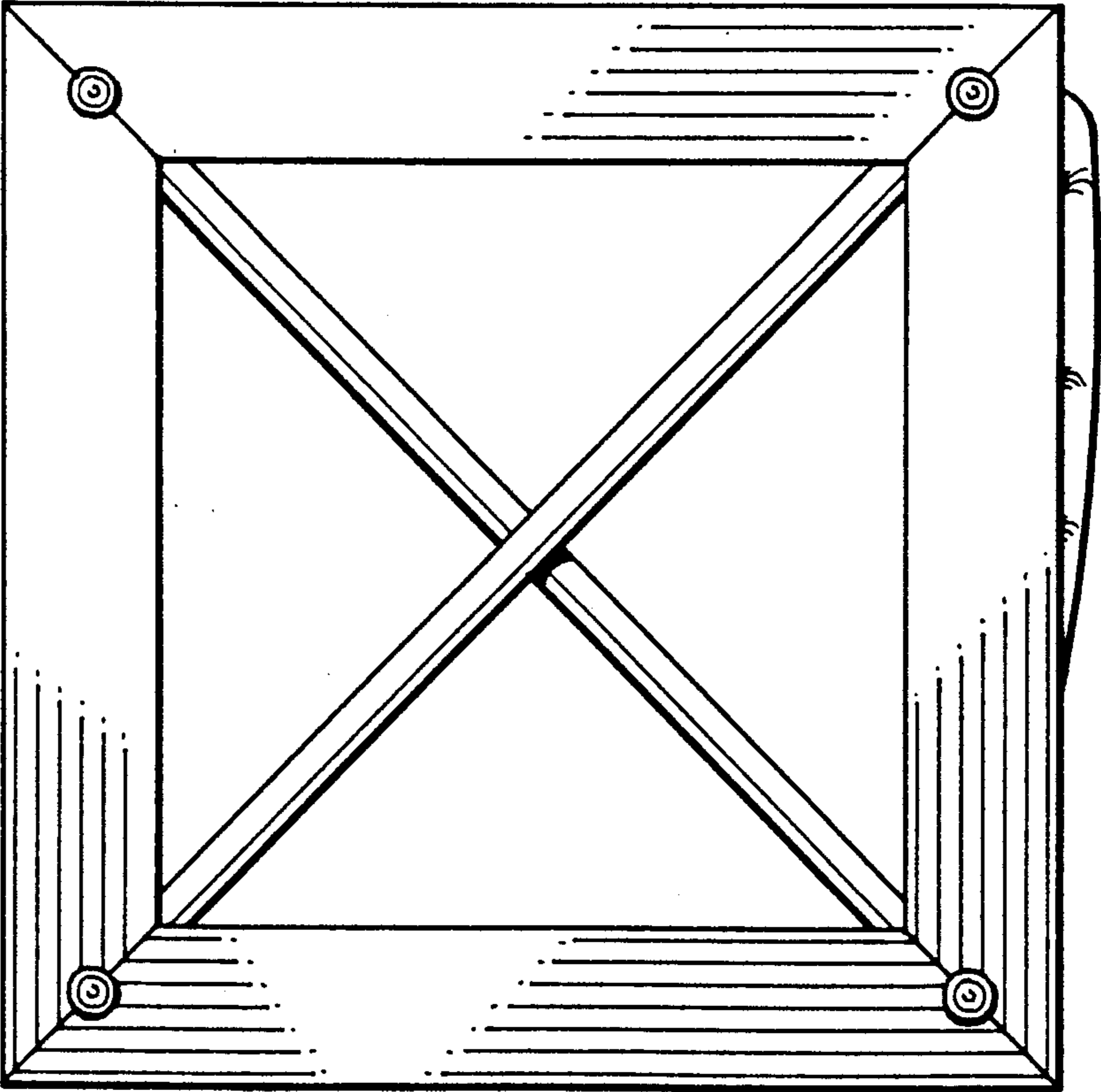


Fig. 6

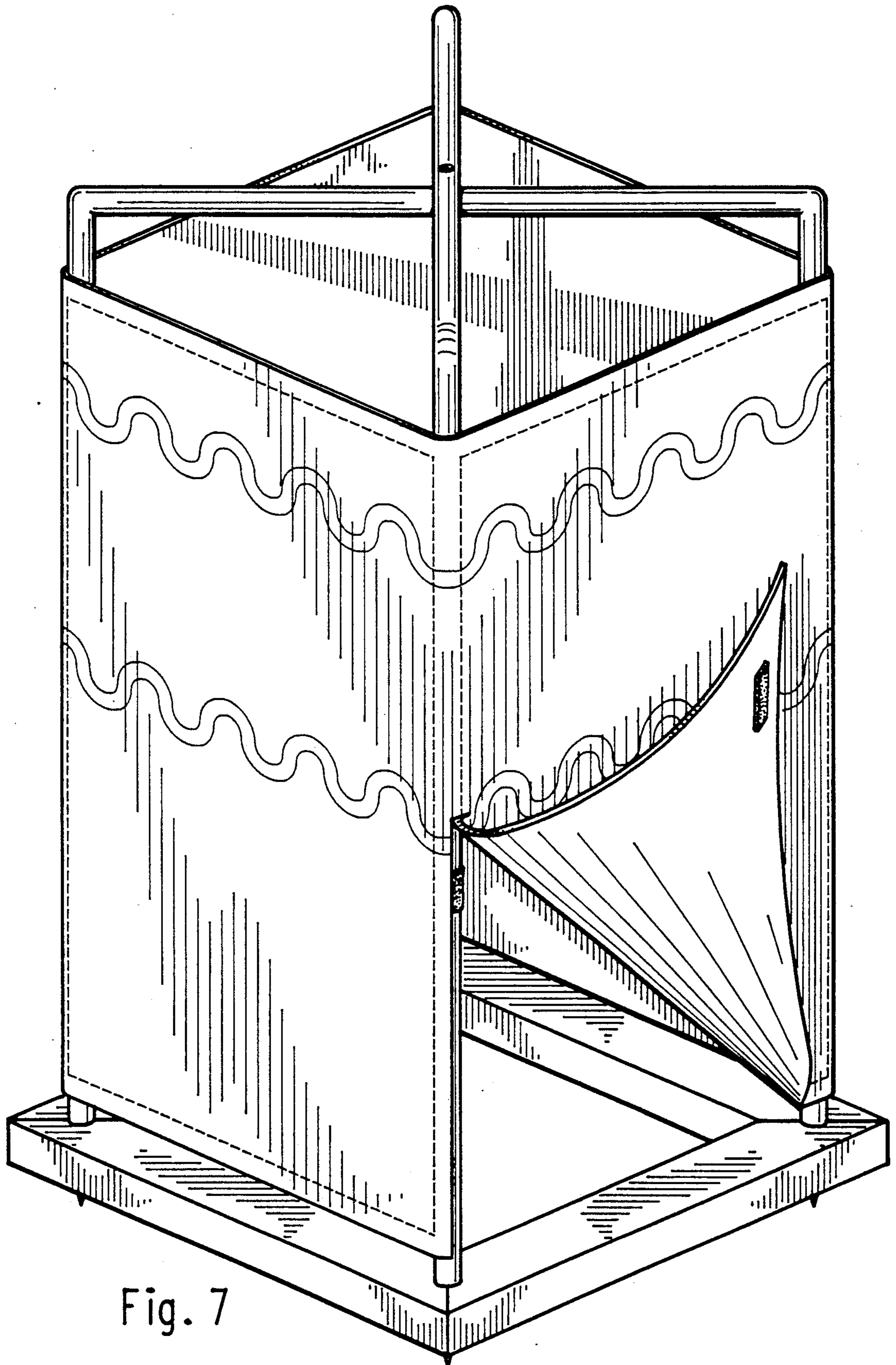


Fig. 7