

United States Patent [19]

Weiss et al.

[11] Patent Number: Des. 322,496

[45] Date of Patent: ** Dec. 17, 1991

[54] TRASH BAG HOLDER

[75] Inventors: Alan M. Weiss; Ricky D. Stafford;
Troy Watson, all of Dallas, Tex.

[73] Assignee: ASAC Corporation, Dallas, Tex.

[**] Term: 14 Years

[21] Appl. No.: 476,676

[22] Filed: Feb. 8, 1990

[52] U.S. Cl. D34/5; D34/1

[58] Field of Search D34/1, 5, 6, 10;
248/95, 97, 98, 99, 100, 101; 294/55; 15/257.1

[56] References Cited

U.S. PATENT DOCUMENTS

D. 236,938 9/1975 Bowen D34/10
D. 299,075 12/1988 Scott D34/1

D. 308,270 5/1990 Sarabia D34/5
4,832,291 5/1989 Nelson et al. 248/99
5,014,943 5/1981 Nelson et al. 248/99

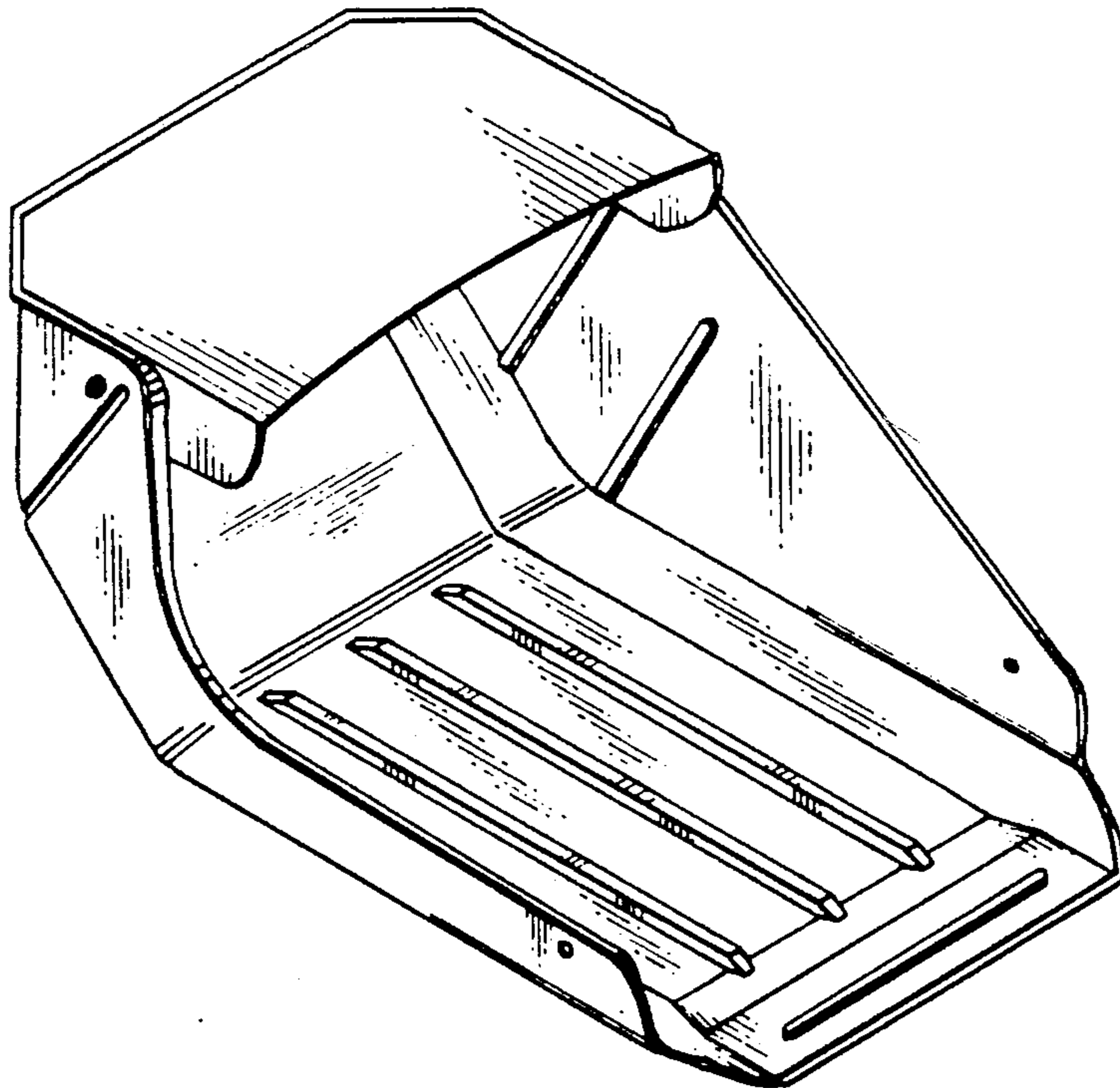
Primary Examiner—Kay H. Chin
Attorney, Agent, or Firm—Timmons & Kelly

[57] CLAIM

The ornamental design for a trash bag holder, as shown and described.

DESCRIPTION

FIG. 1 is a top, front and left side perspective view of a trash bag holder showing our new design;
FIG. 2 is a right side elevational view thereof;
FIG. 3 is a left side elevational view thereof;
FIG. 4 is a top plan view thereof;
FIG. 5 is a bottom plan view thereof;
FIG. 6 is a front elevational view thereof.
FIG. 7 is a rear elevational view thereof.



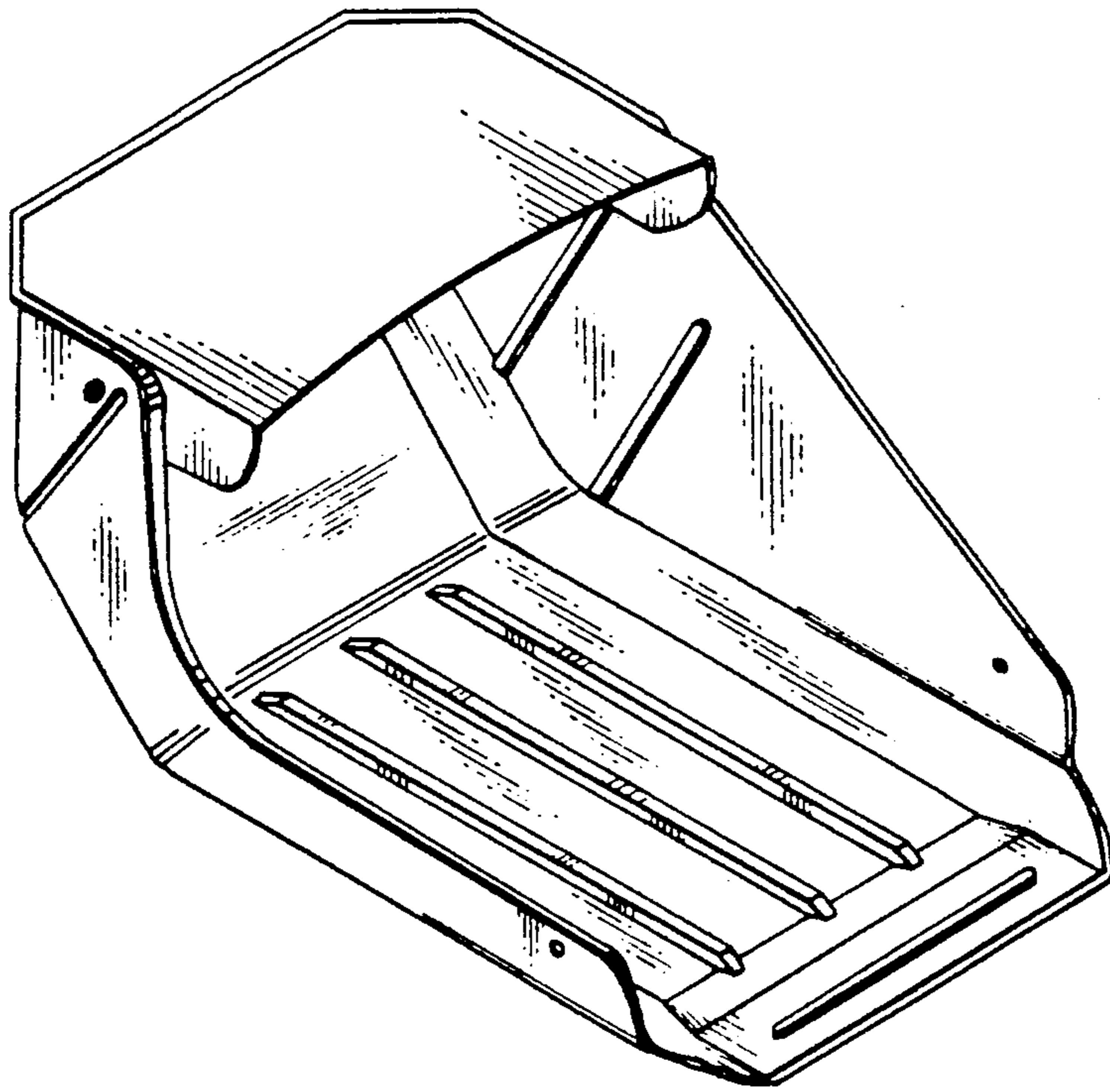


Fig. 1

Fig. 2

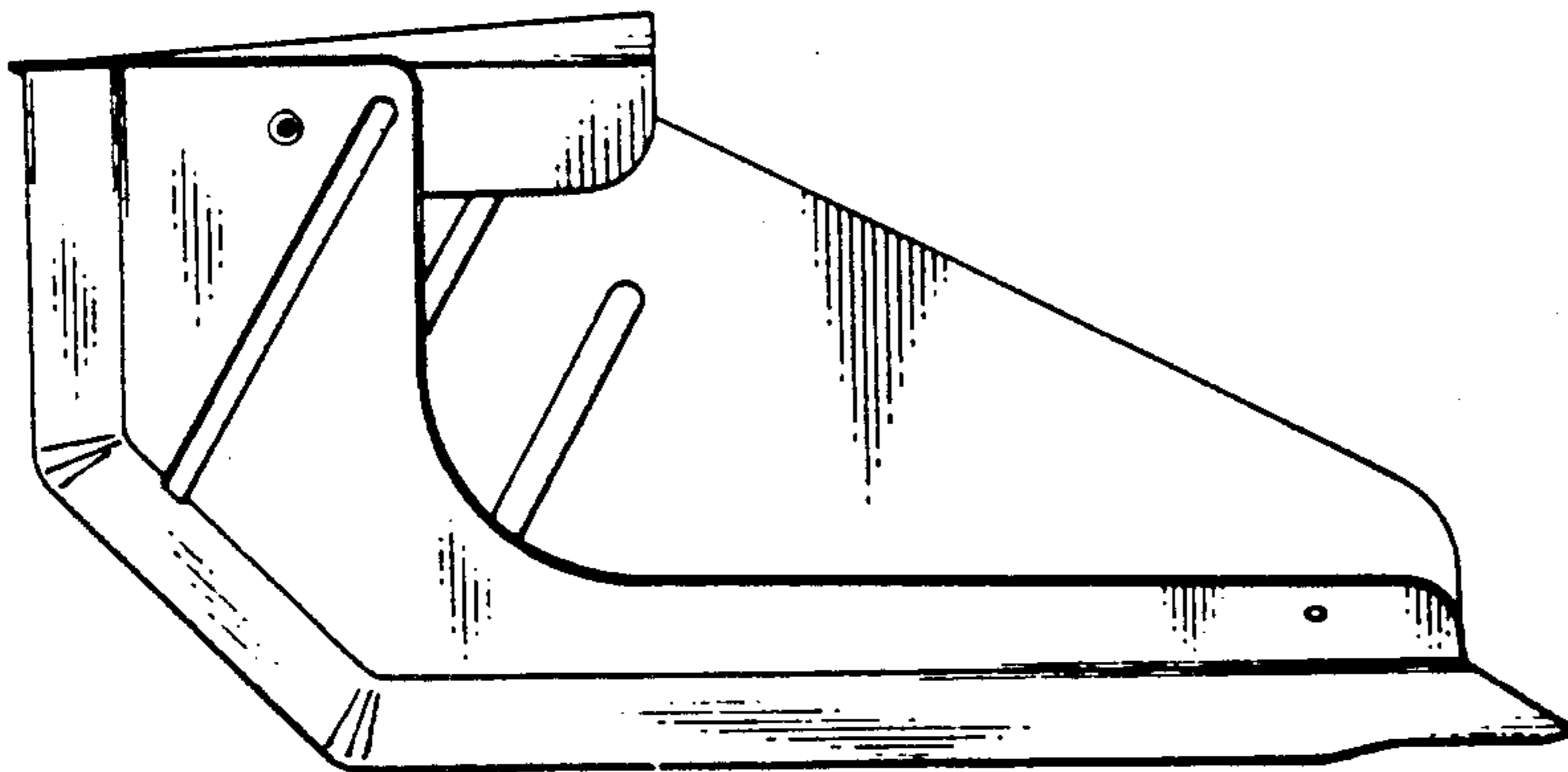
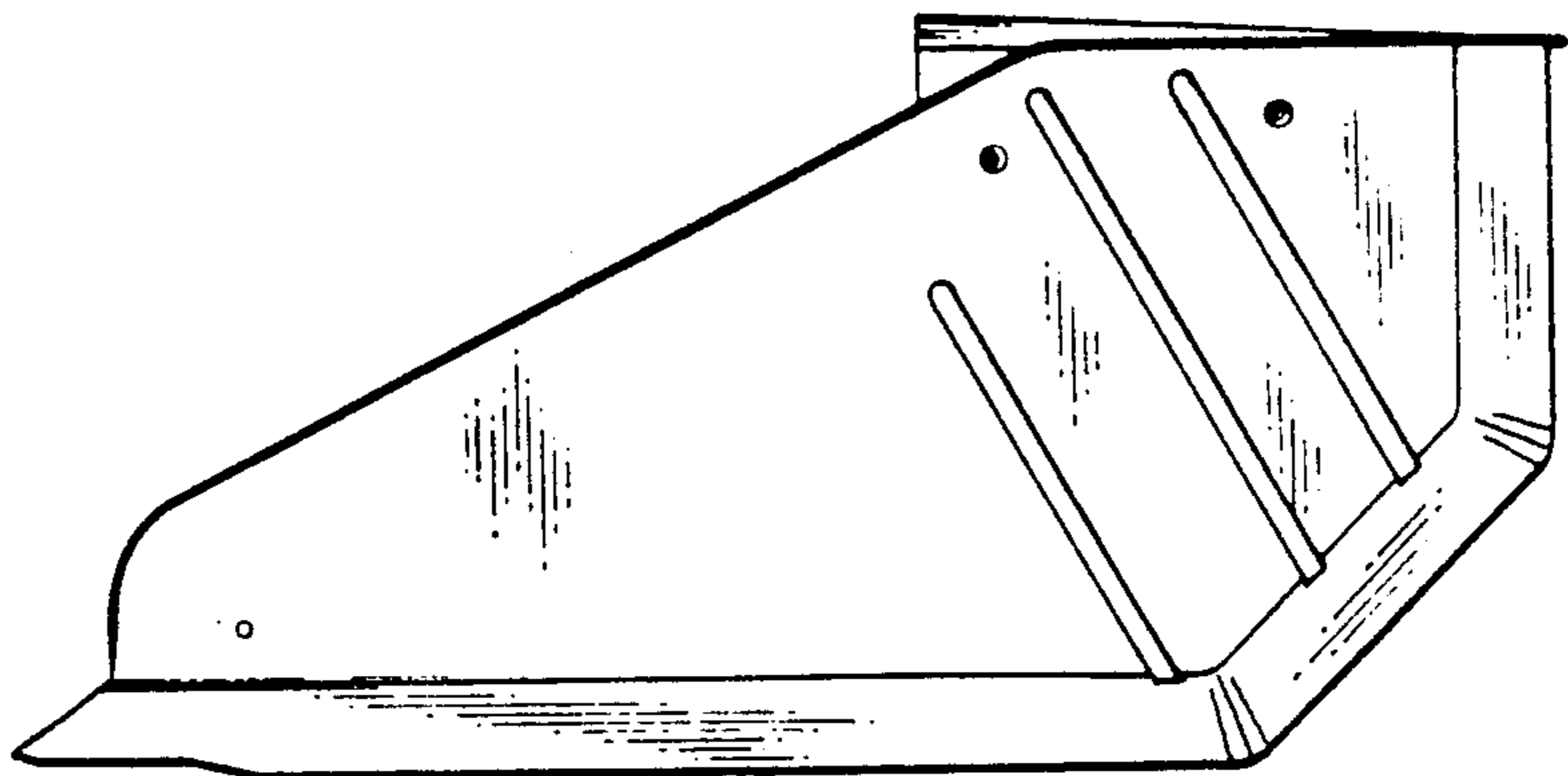


Fig. 3

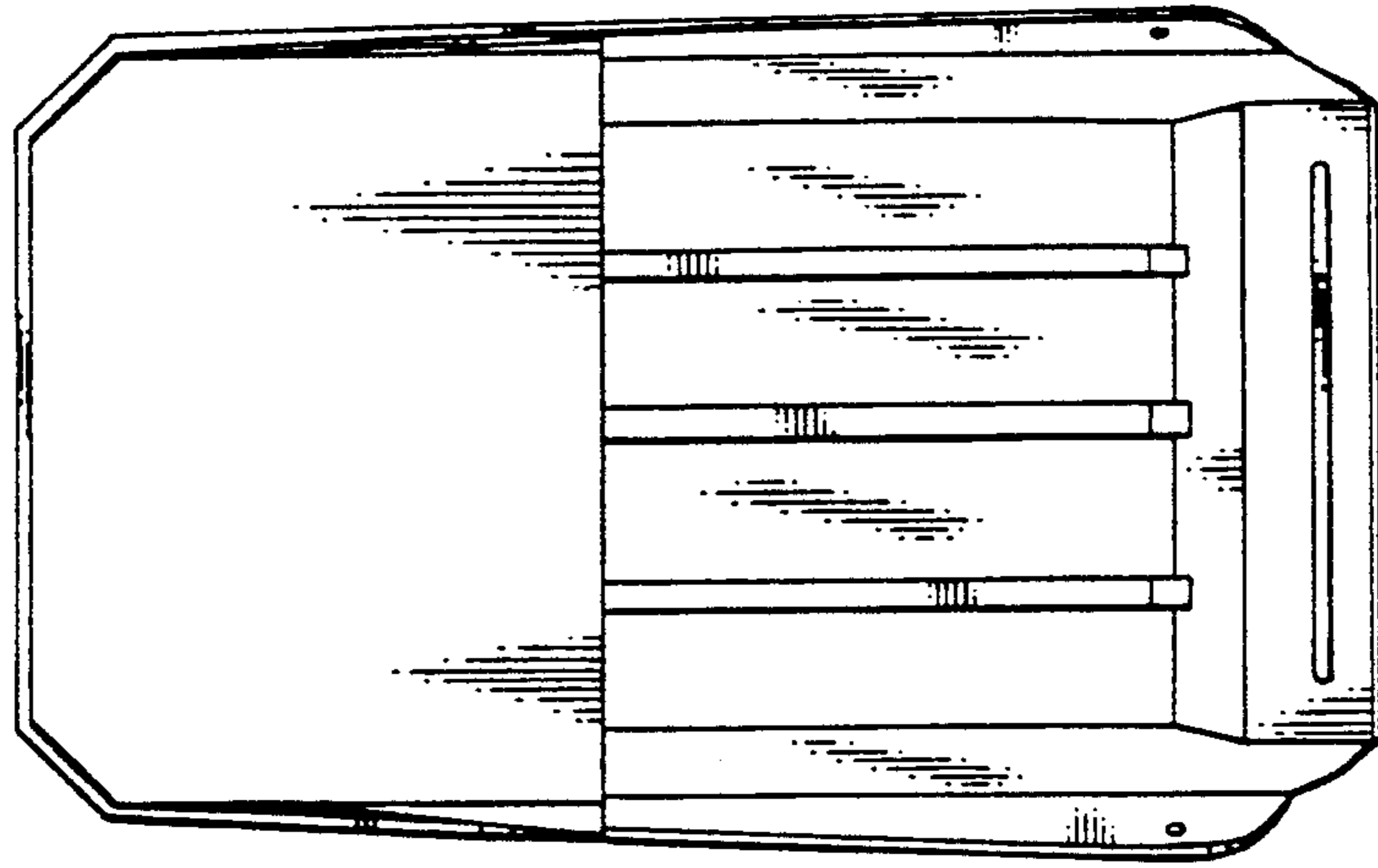


Fig. 4

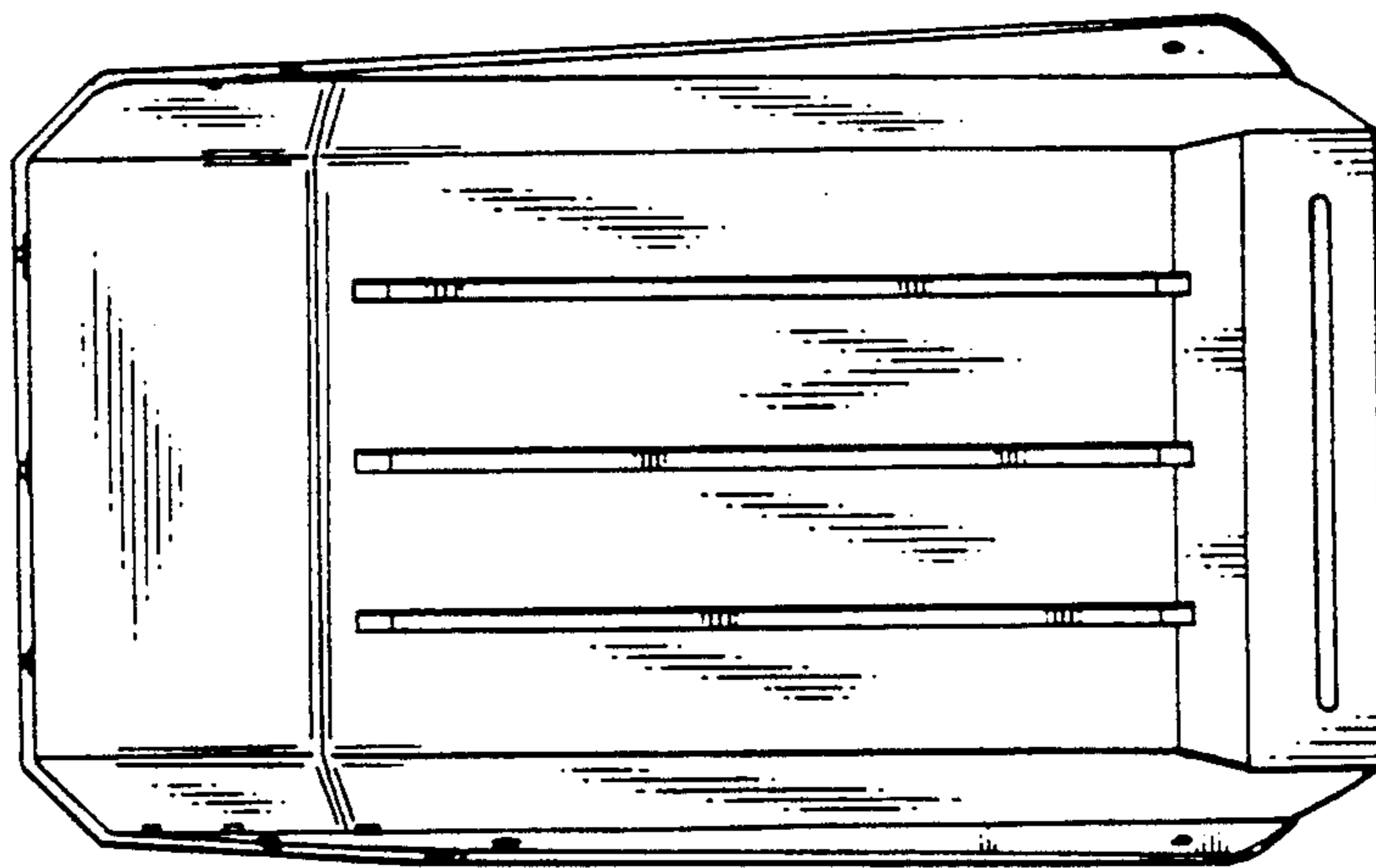


Fig. 5

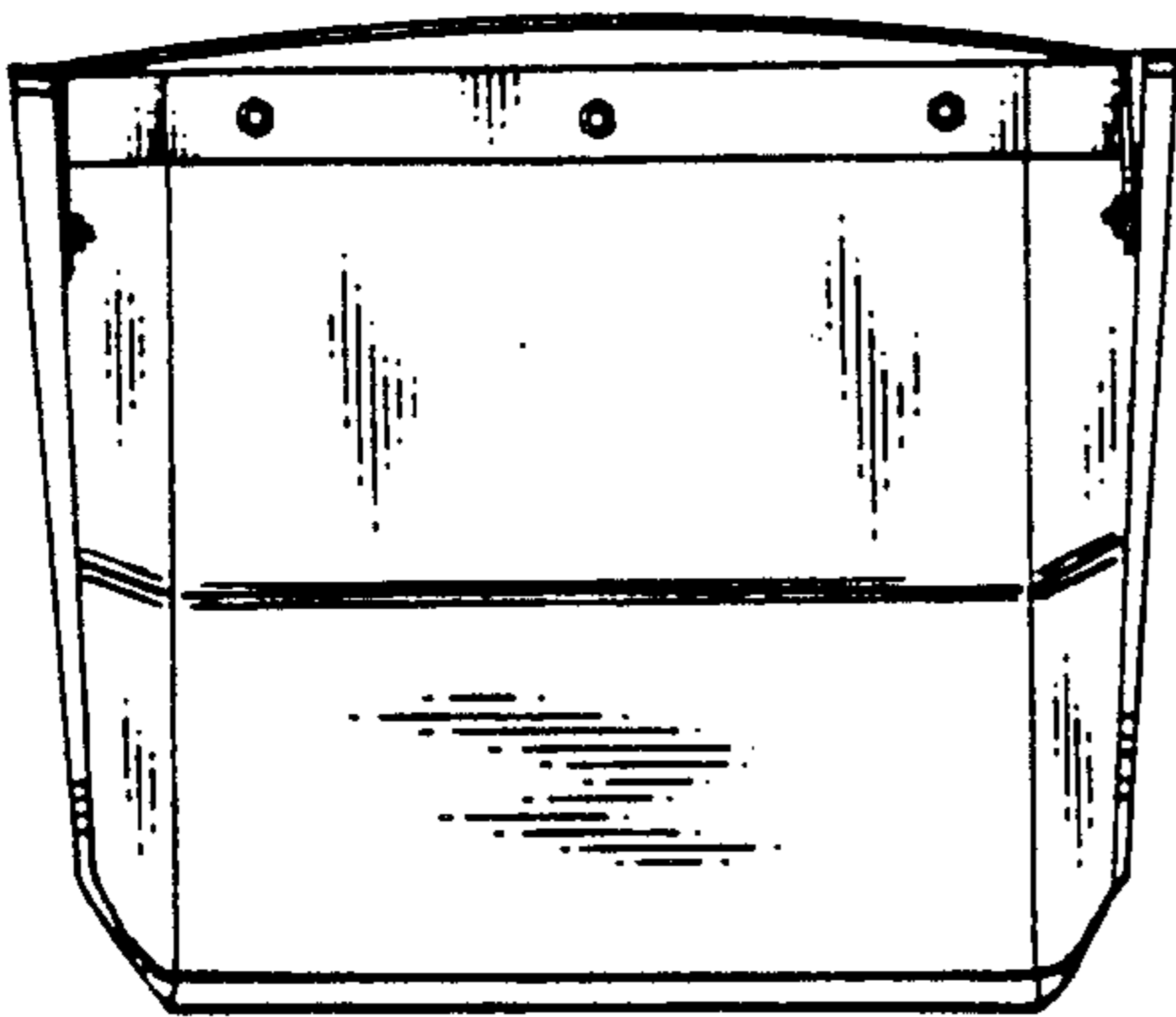


Fig. 6

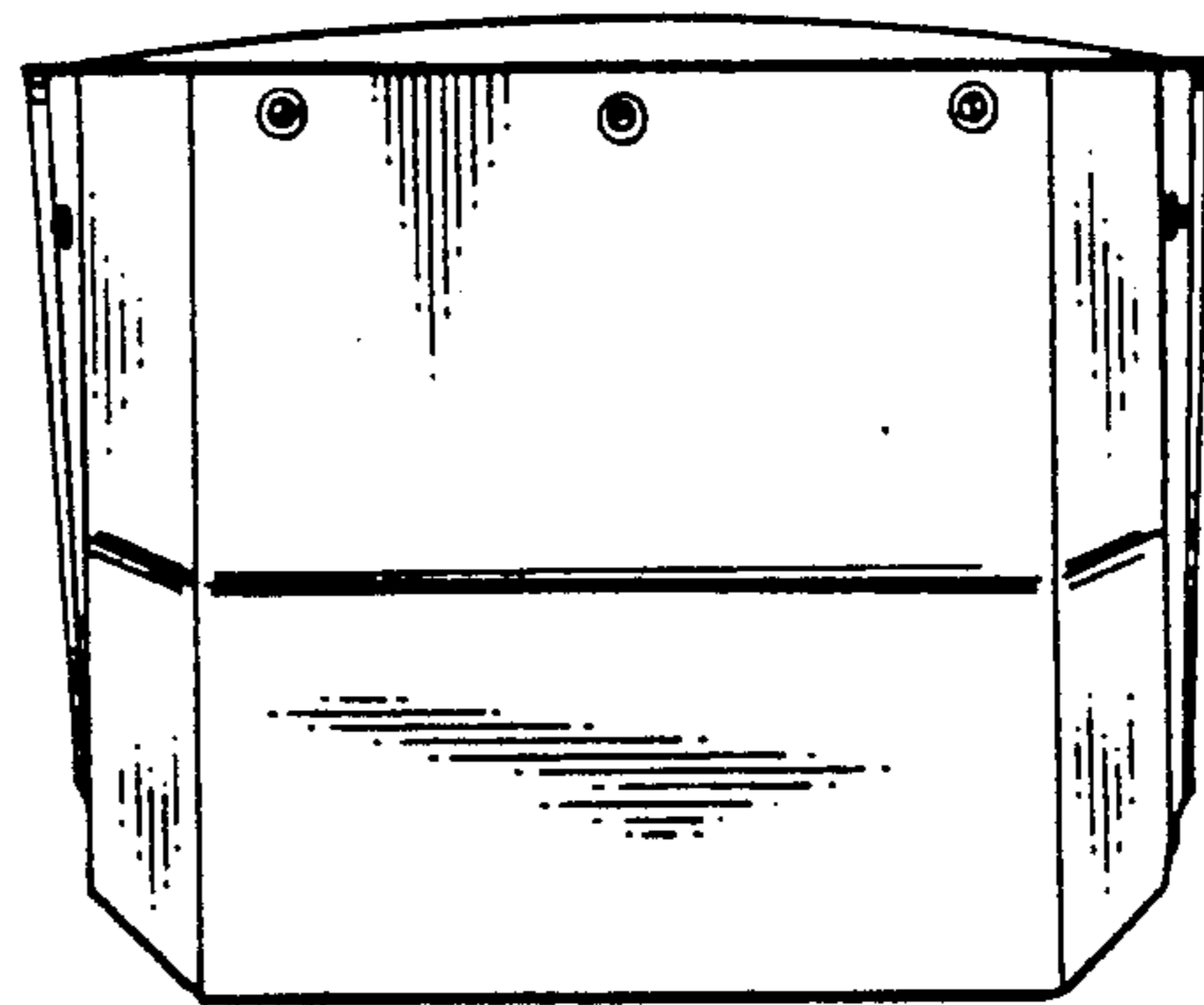


Fig. 7