

[54] WELDING HOOD LENS SUPPORT

[76] Inventor: Sidney C. Metzger, 2114 Norman Way, Modesto, Calif. 95350

[**] Term: 14 Years

[21] Appl. No.: 398,469

[22] Filed: Aug. 24, 1989

[52] U.S. Cl. D29/9; D29/8

[58] Field of Search D29/9, 8, 6, 16, 17; 2/8, 9, 5, 232, 424, 427

[56] References Cited

U.S. PATENT DOCUMENTS

D. 250.856	1/1979	Siebert	D29/9
D. 264.891	6/1982	Rosenius	D29/9
2,384,765	9/1945	O'Reilly	2/8
3,251,065	5/1966	Caldwell	2/8
4,679,254	7/1987	Wiegel	2/8
4,875,235	10/1989	Kahlman	2/8

Primary Examiner—Kay H. Chin
Attorney, Agent, or Firm—Bernhard Kreten

[57] CLAIM

The ornamental design for a welding hood lens support, as shown and described.

DESCRIPTION

FIG. 1 is a front perspective view of a welding hood lens support showing my new design, the broken line illustration of welding hood is for illustrative purposes only and forms no part of the claimed design;

FIG. 2 is a rear elevational view thereof;

FIG. 3 is a front elevational view thereof;

FIG. 4 is a side elevational view thereof with the lens raised;

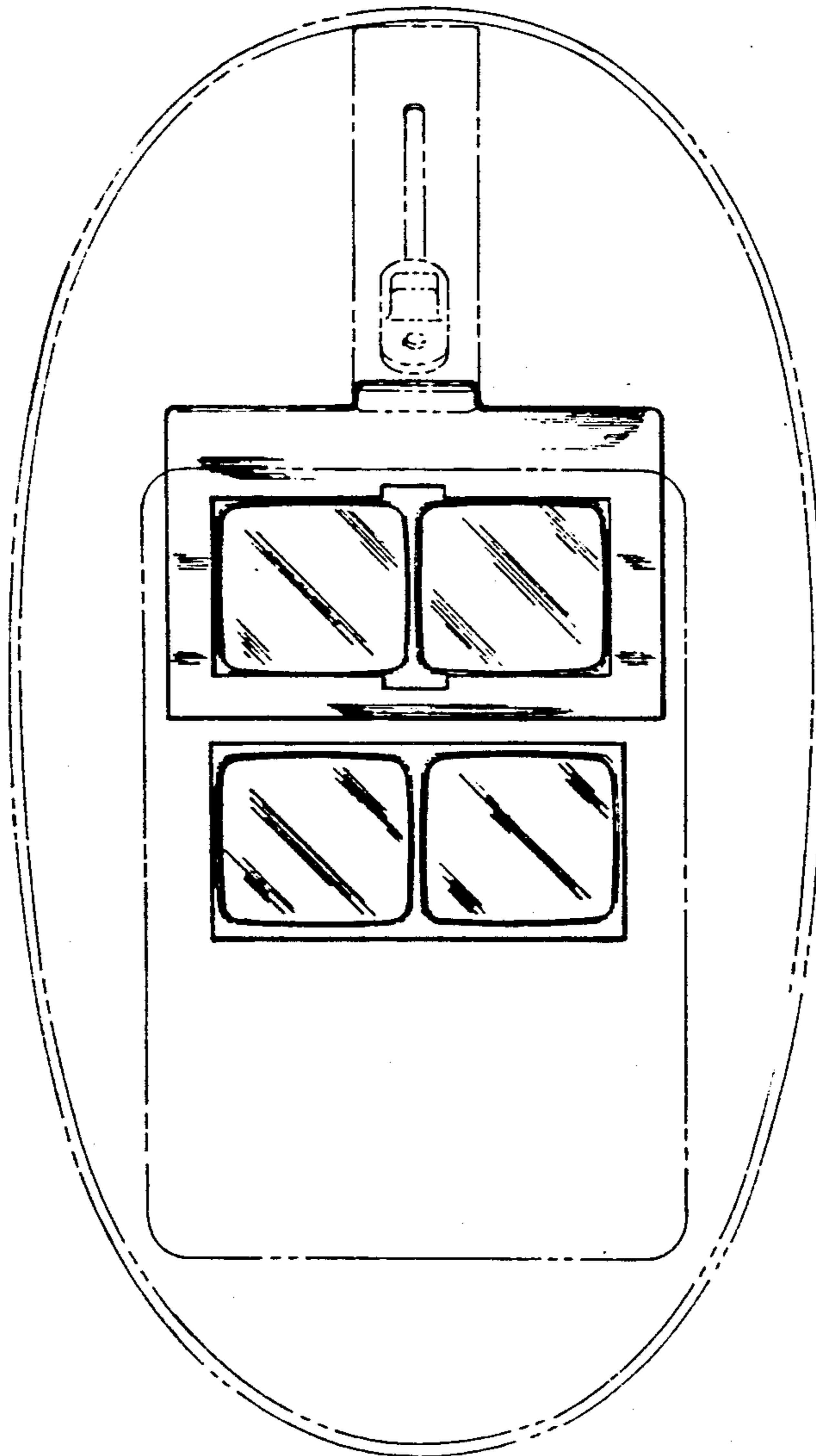
FIG. 5 is a side elevational view with the lens lowered;

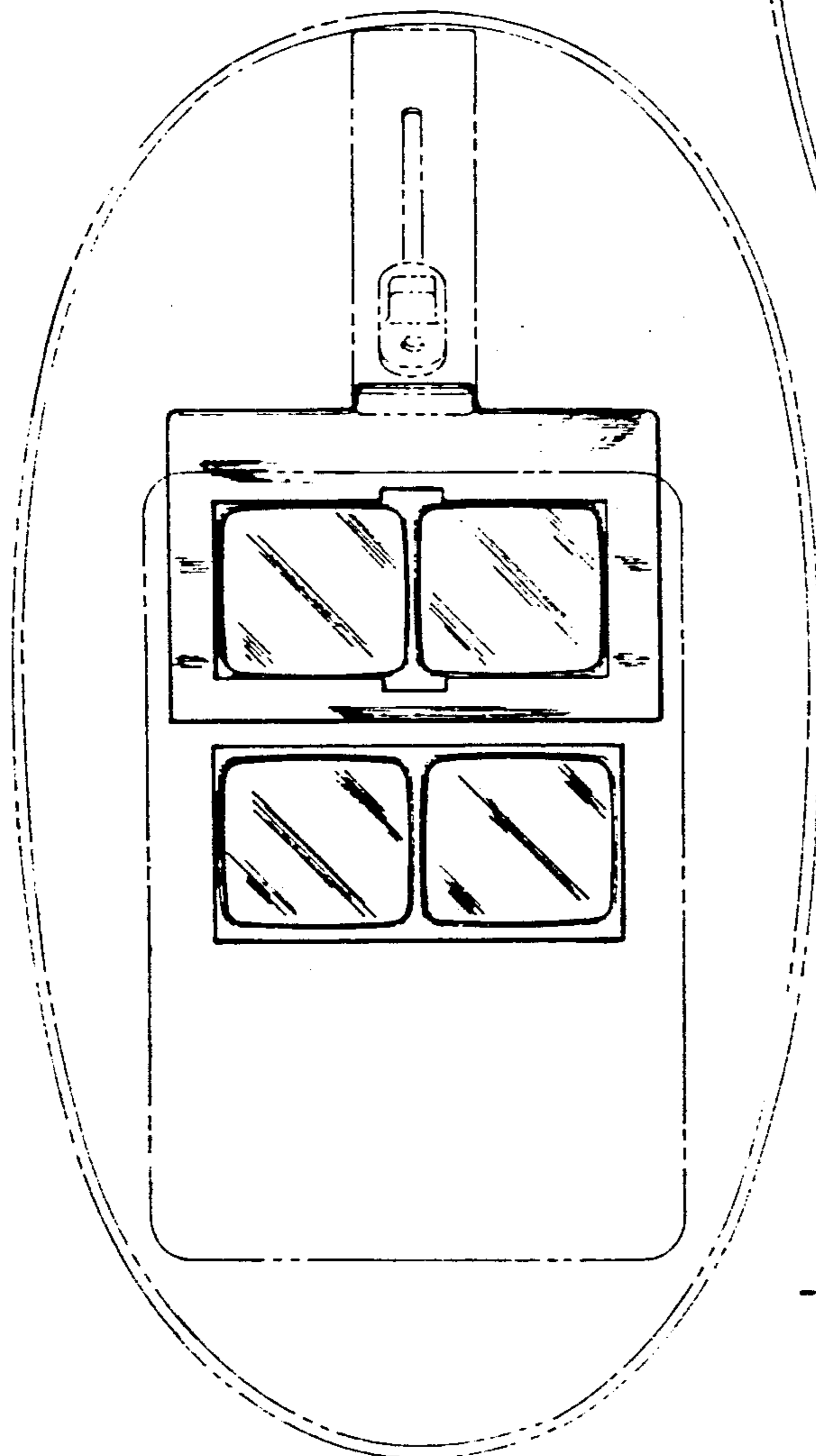
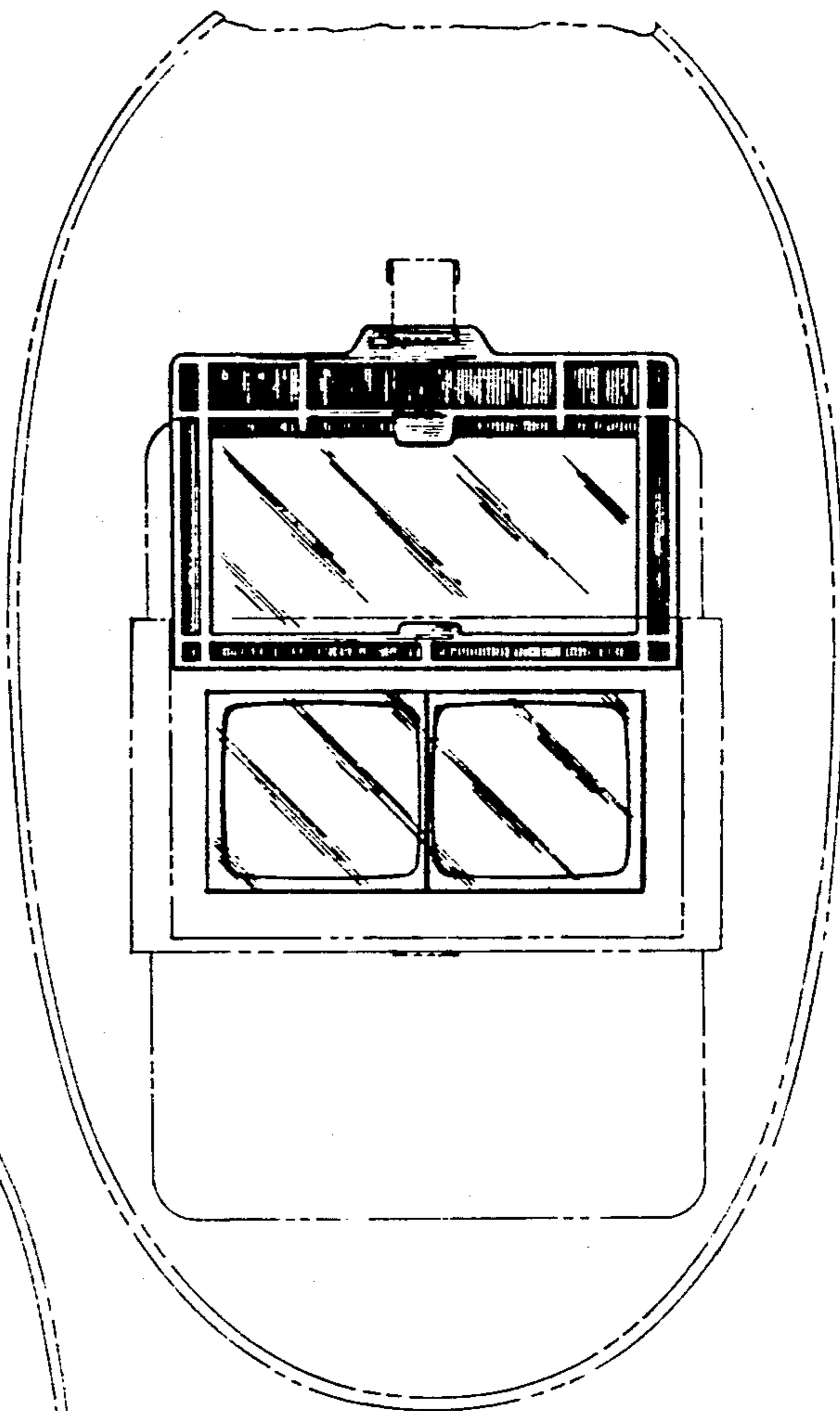
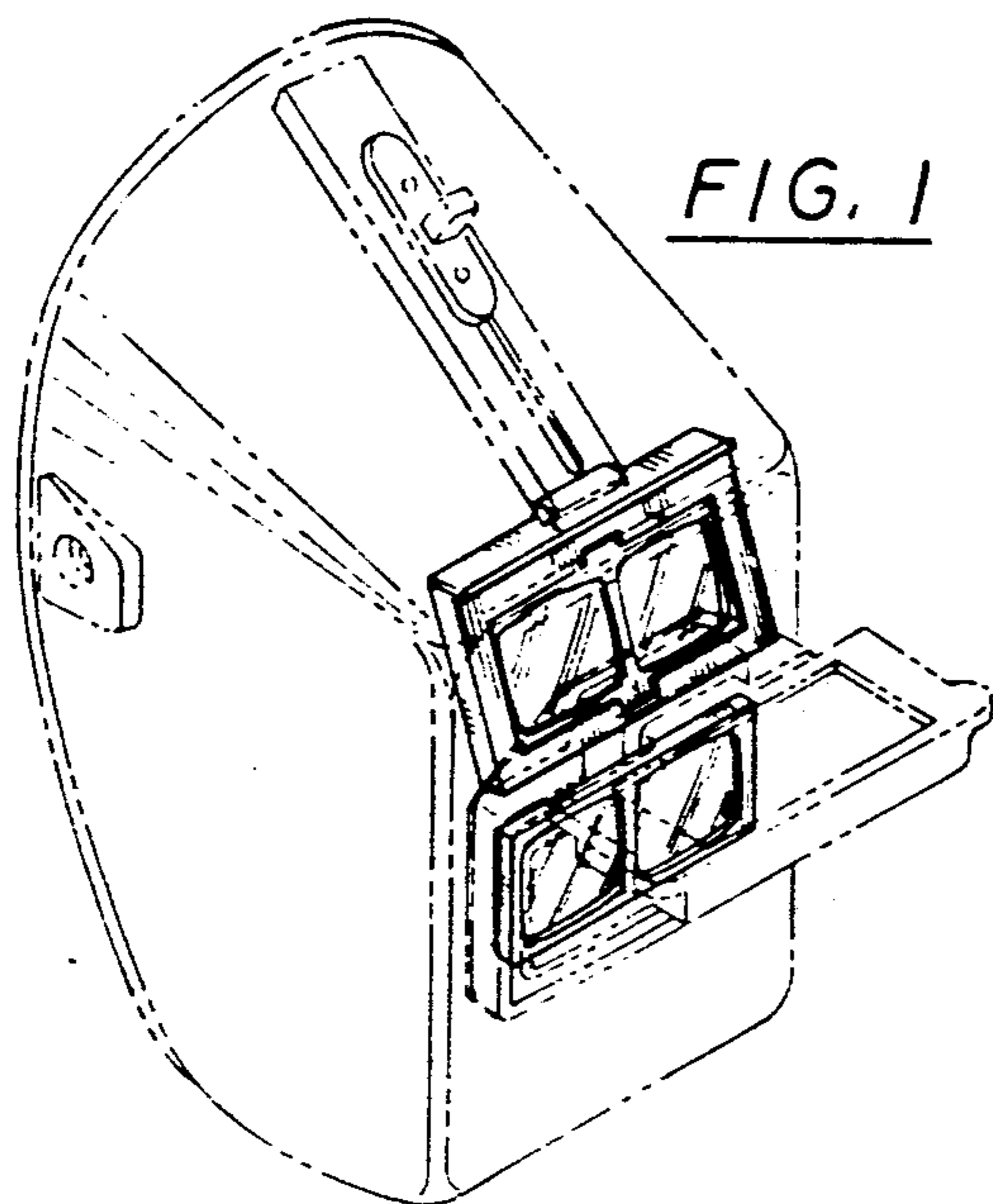
FIG. 6 is a top plan view thereof;

FIG. 7 is a bottom plan view thereof;

FIG. 8 is a front top perspective view thereof; and

FIG. 9 is a rear top perspective view thereof.





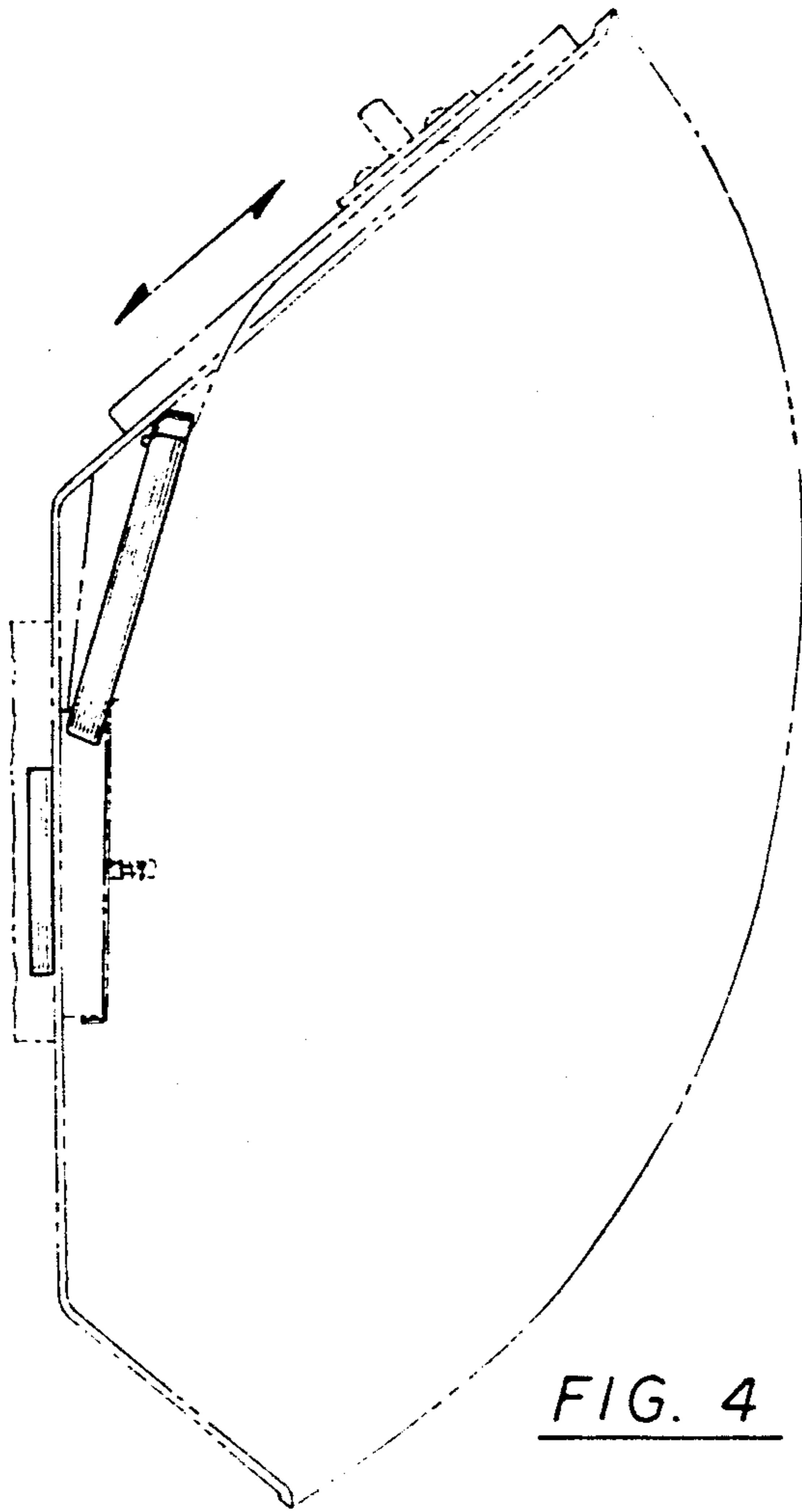


FIG. 4

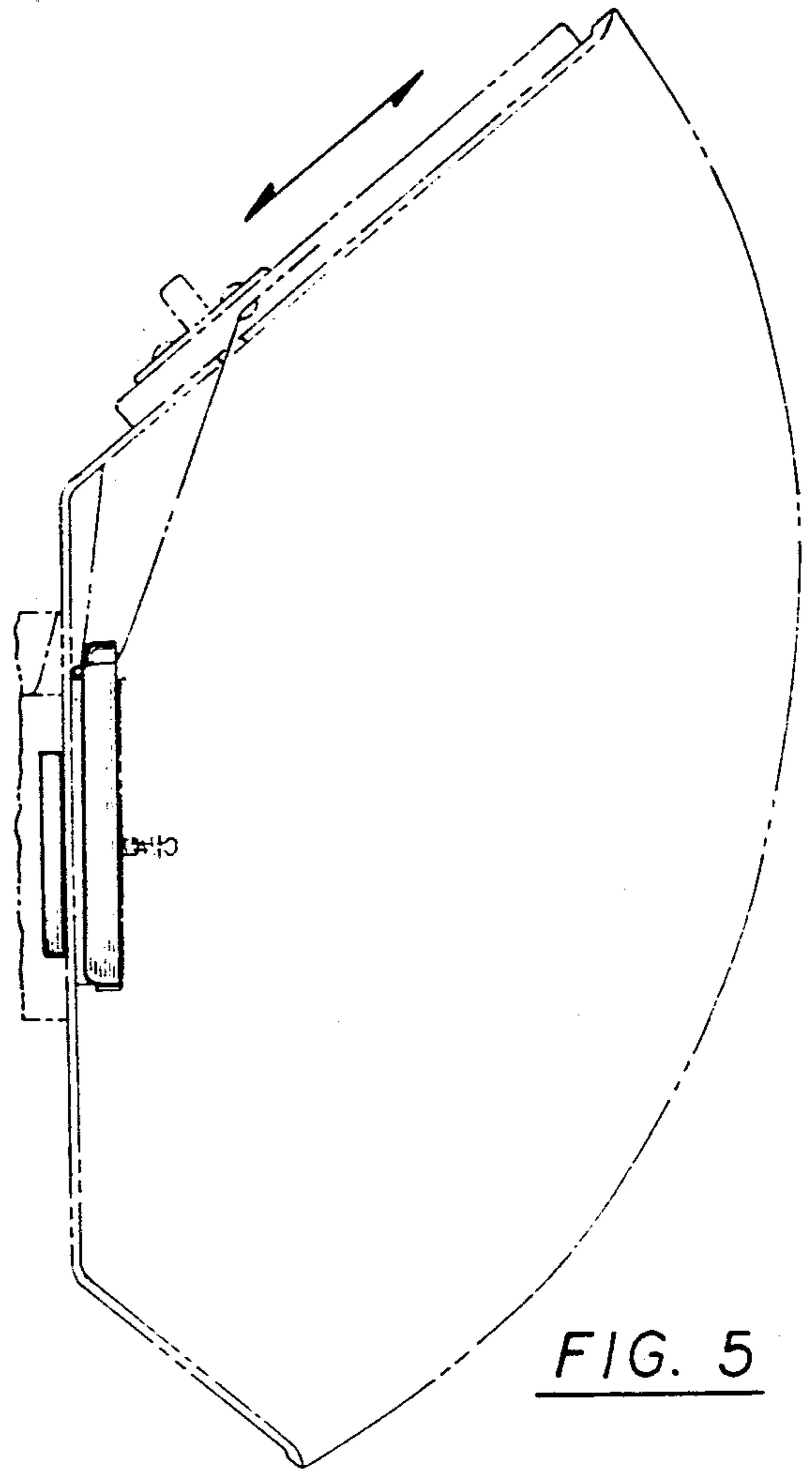


FIG. 5

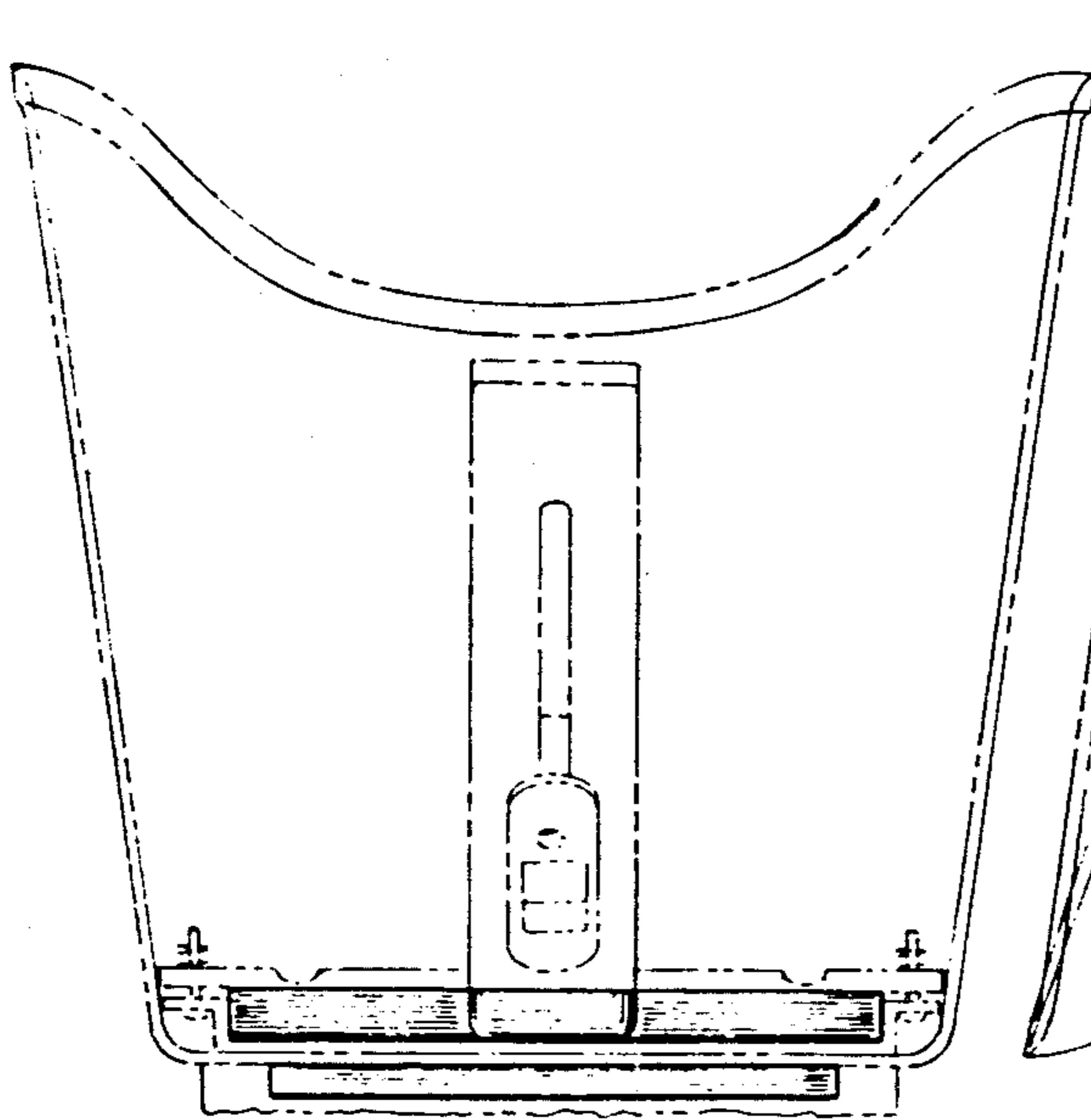


FIG. 6

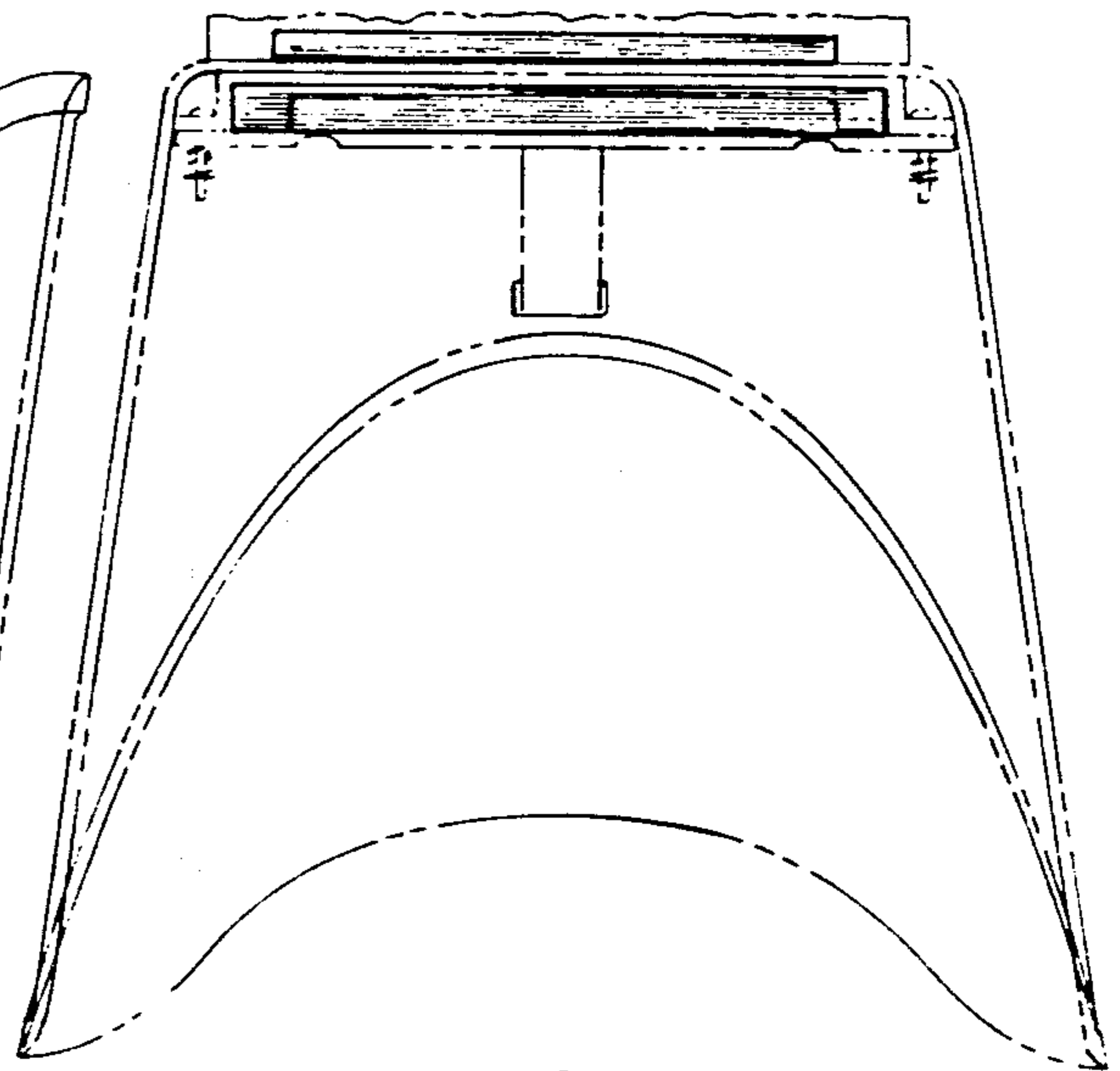


FIG. 7

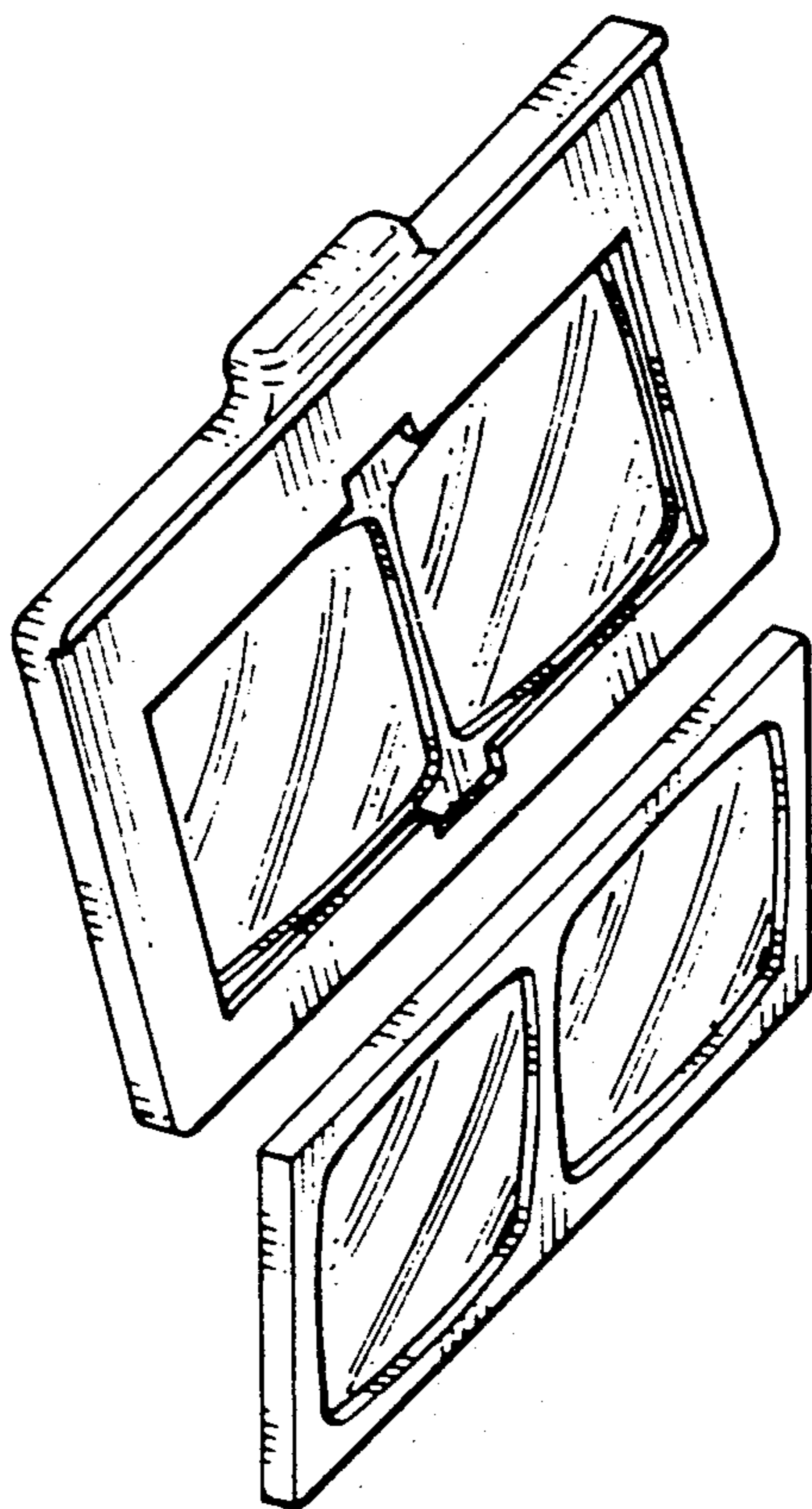


FIG. 8

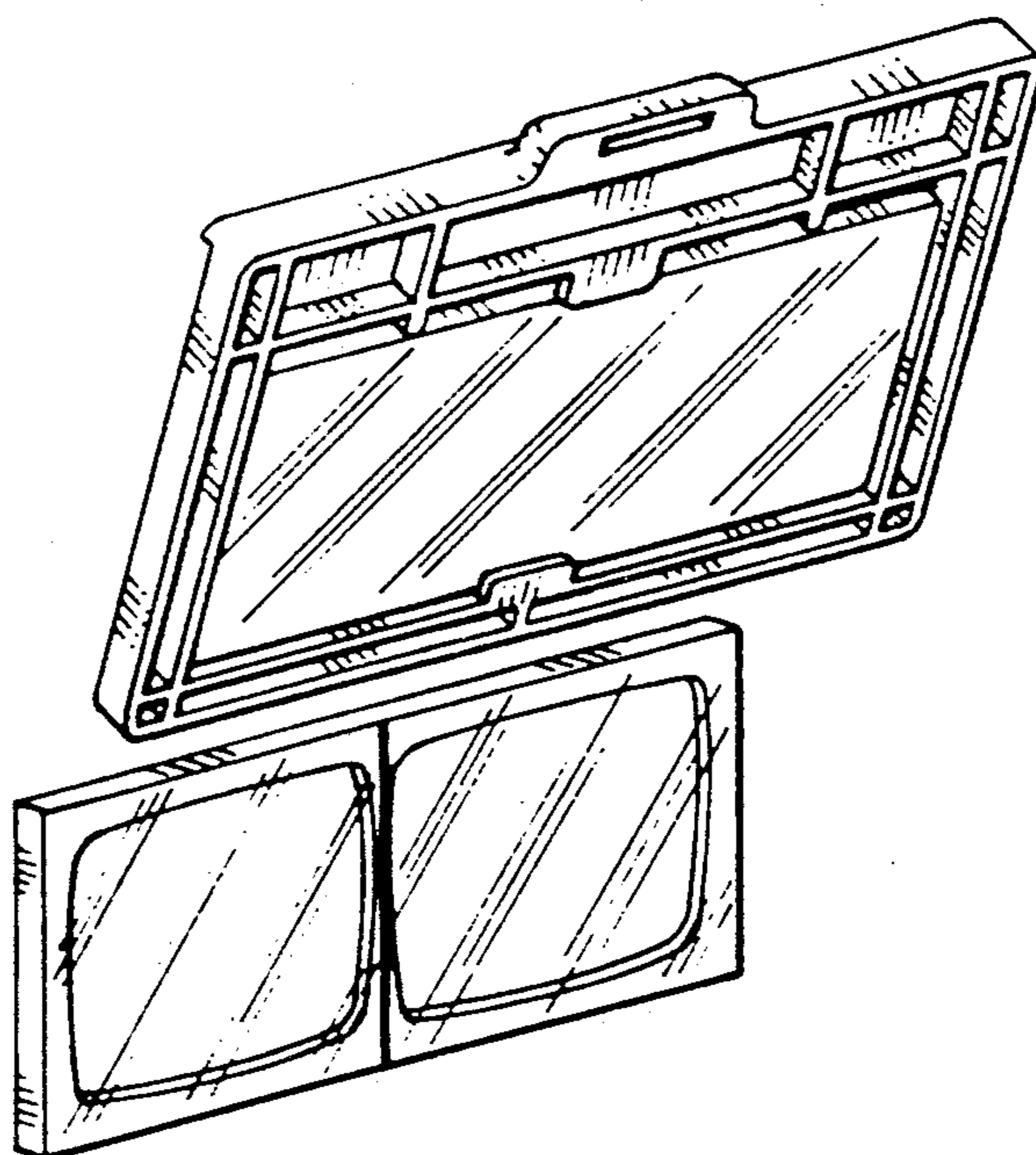


FIG. 9