

[54] HIGH INTENSITY LAMP HOUSING

[75] Inventors: James R. Lindsay, Brea; Ronald A. Meyer, San Dimas; Alexander Garcia, Jr., Upland; Alexander Waluszko, Pasadena, all of Calif.

[73] Assignee: UVP, Inc., San Gabriel, Calif.

[**] Term: 14 Years

[21] Appl. No.: 399,756

[22] Filed: Aug. 28, 1989

[52] U.S. Cl. D26/45

[58] Field of Search D26/37-50; 362/157, 158, 183-208, 258, 294, 377, 378, 398, 399

[56] References Cited

U.S. PATENT DOCUMENTS

D. 267,349	12/1982	Asano	D26/37
D. 278,084	3/1985	Parker et al.	D26/45
D. 300,470	3/1989	Schmidt et al.	D26/45
D. 301,752	6/1989	Osterhaut	D26/45
3,348,036	10/1967	Bodian et al.	240/41.35
3,502,858	3/1970	Habro et al.	240/3

3,927,314	12/1975	Wiggerman	240/7.5
4,142,227	2/1979	Aikens	362/74
4,233,655	11/1980	Zelina, Jr. et al.	362/258
4,241,385	12/1980	Asano	362/258
4,388,674	6/1983	Sano	362/186
4,535,397	8/1985	May	362/369
4,554,621	11/1985	Corrigan	362/199 X

OTHER PUBLICATIONS

"Ultraviolet Lamps and Equipment" UVP, Inc.

Primary Examiner—Susan J. Lucas

Attorney, Agent, or Firm—Christie, Parker & Hale

[57] CLAIM

The ornamental design for high intensity lamp housing, as shown and described.

DESCRIPTION

FIG. 1 is a front perspective view of a high intensity lamp housing showing our new design;
 FIG. 2 is a top plan view thereof;
 FIG. 3 is a side elevational view thereof, the opposite side being a mirror image;
 FIG. 4 is a front elevational view thereof;
 FIG. 5 is a rear elevational view thereof;
 FIG. 6 is a bottom plan view thereof.

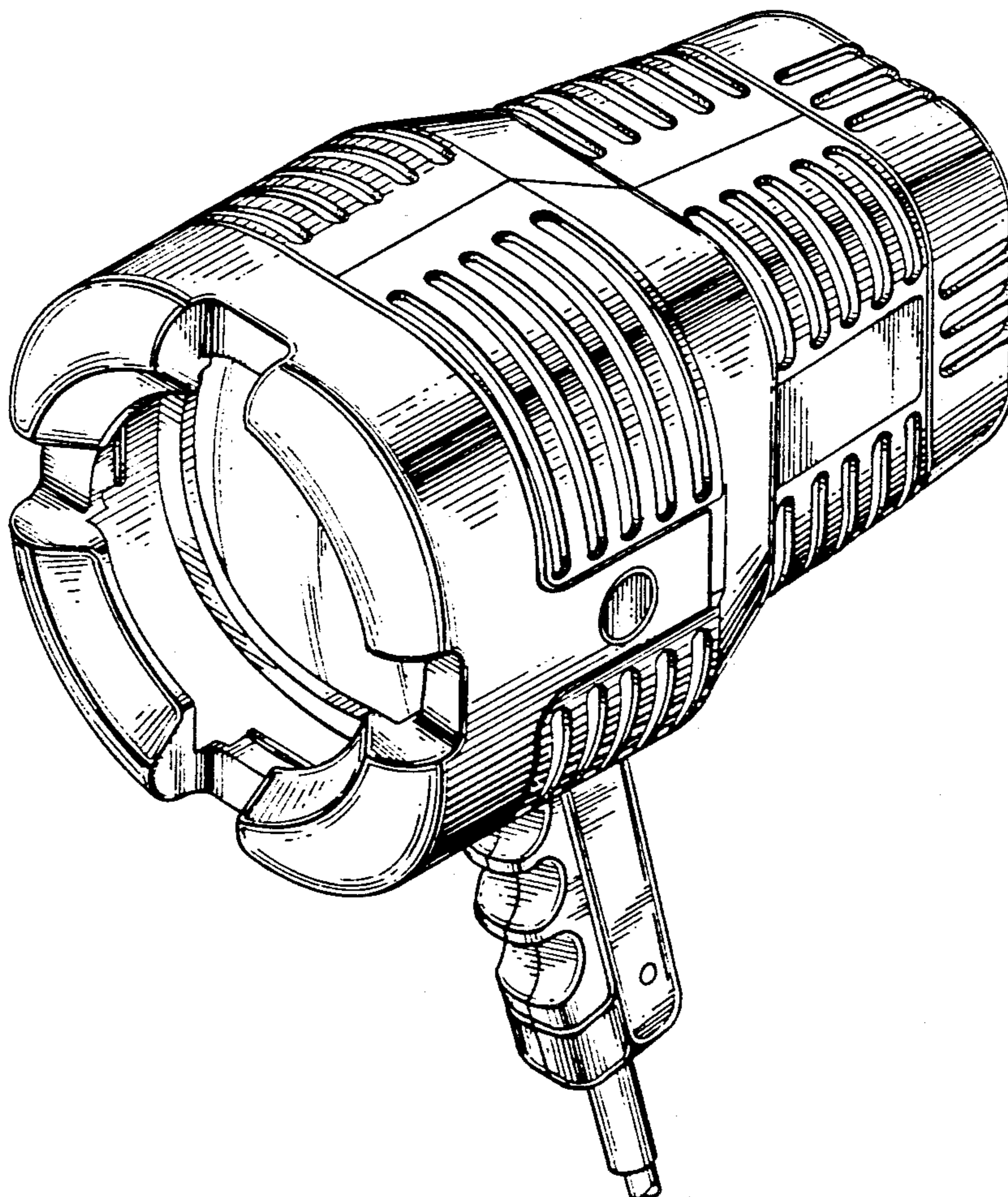
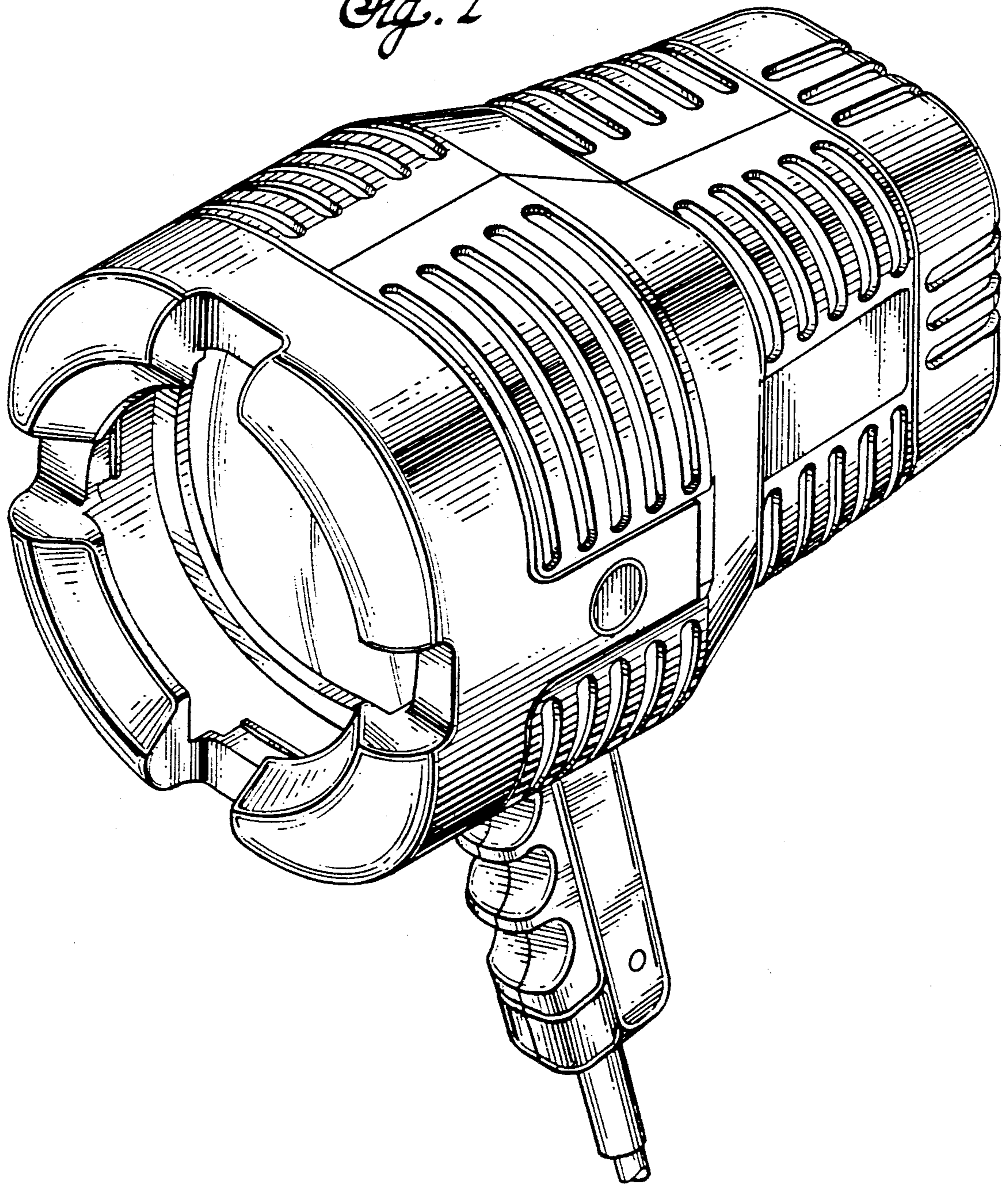
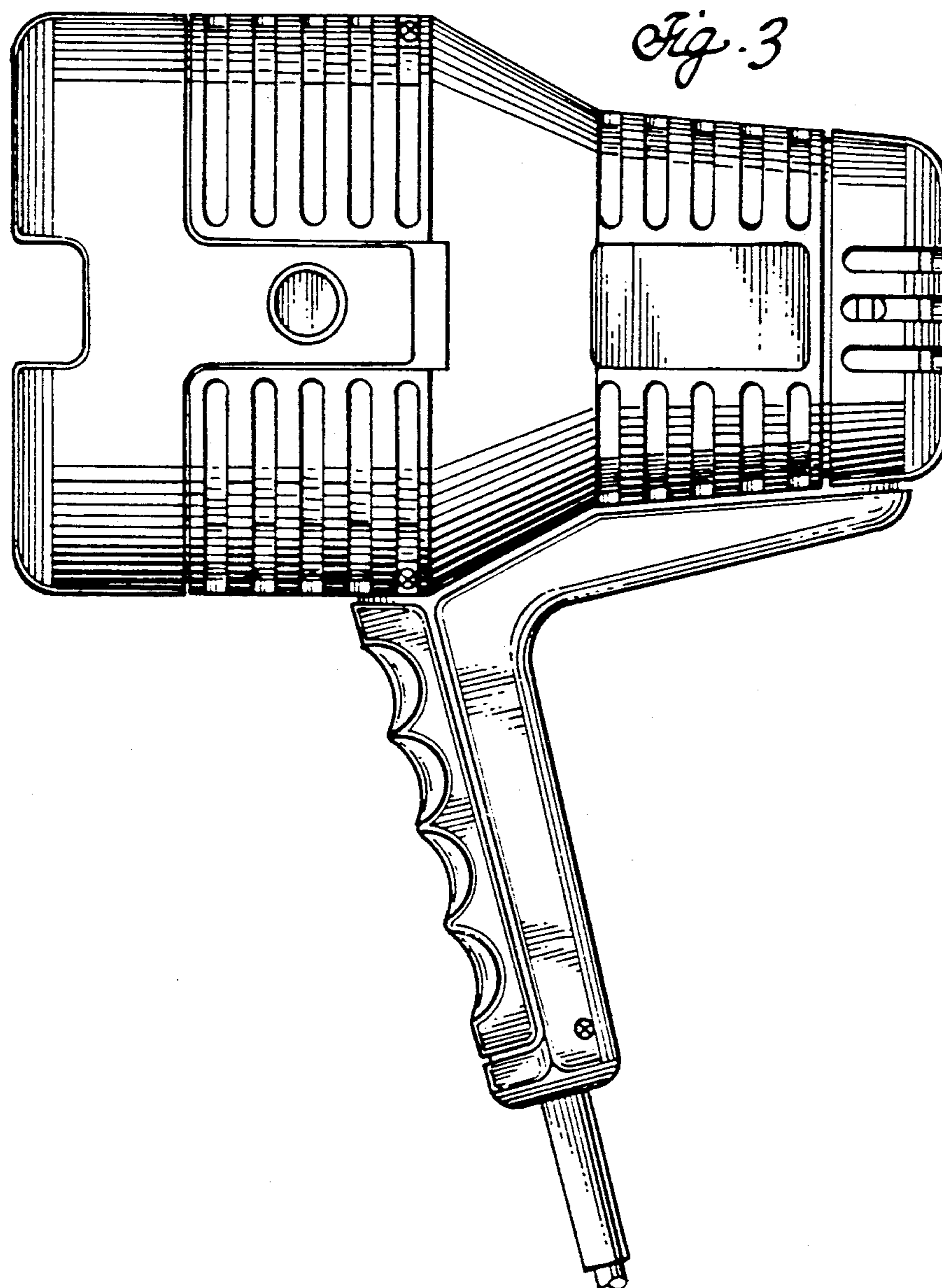
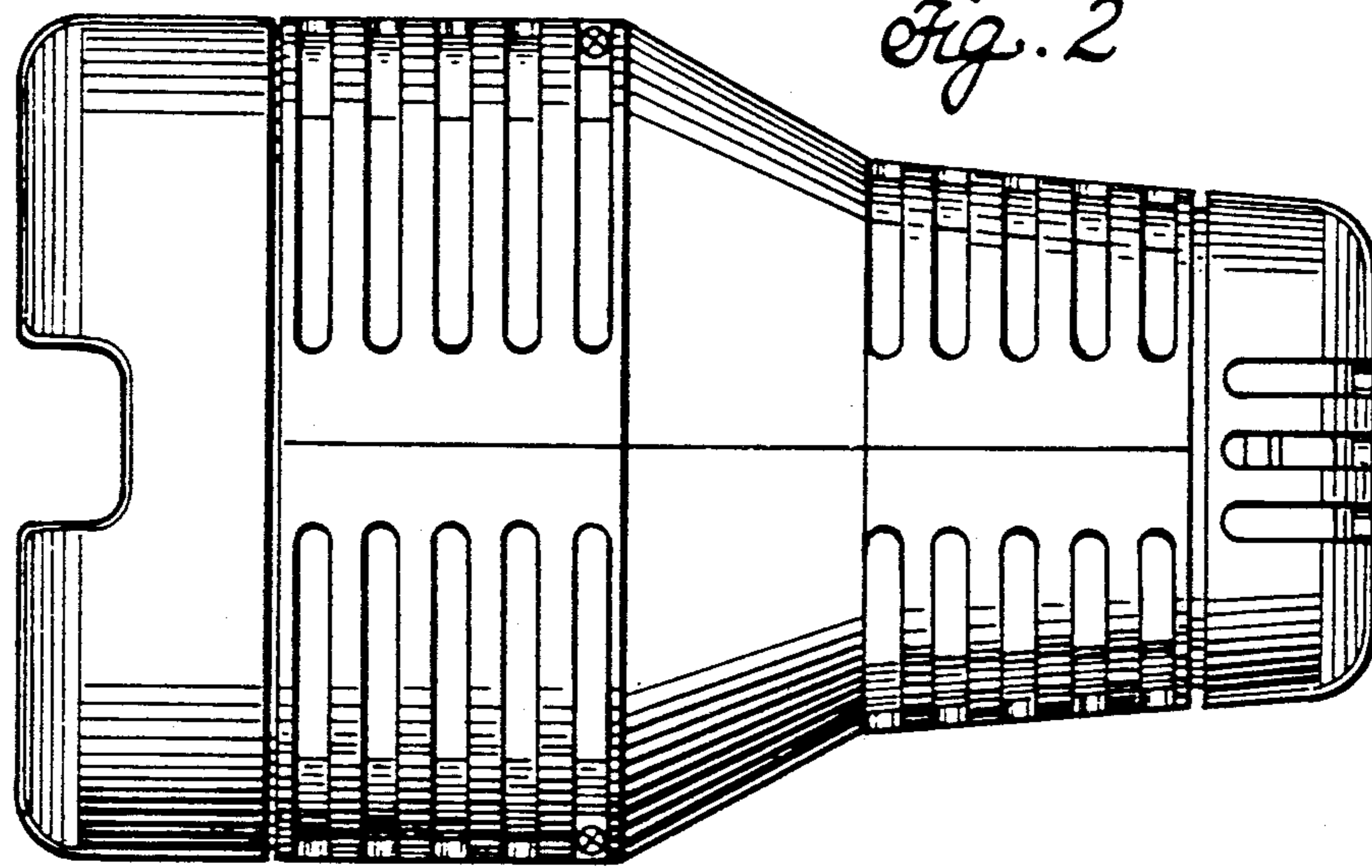


Fig. 1





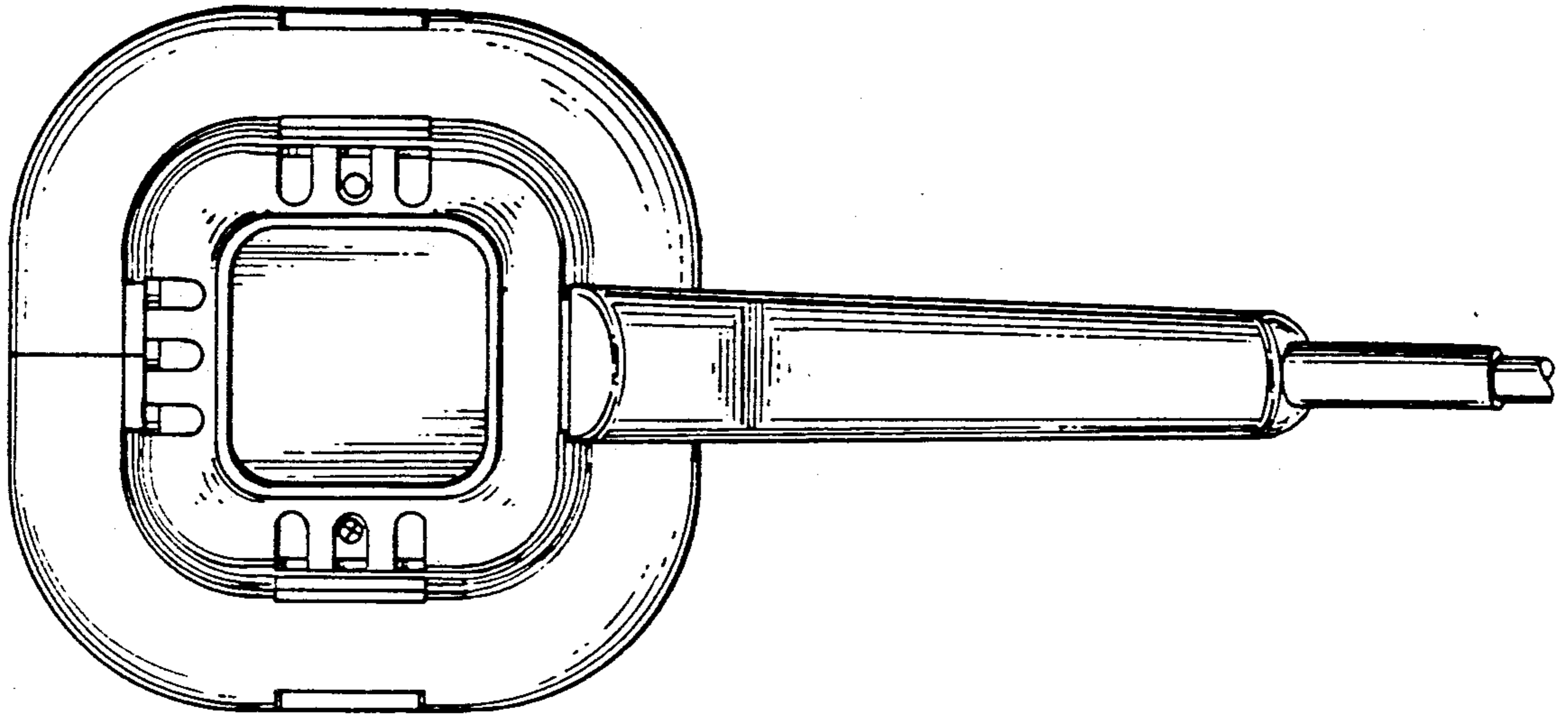


Fig. 5

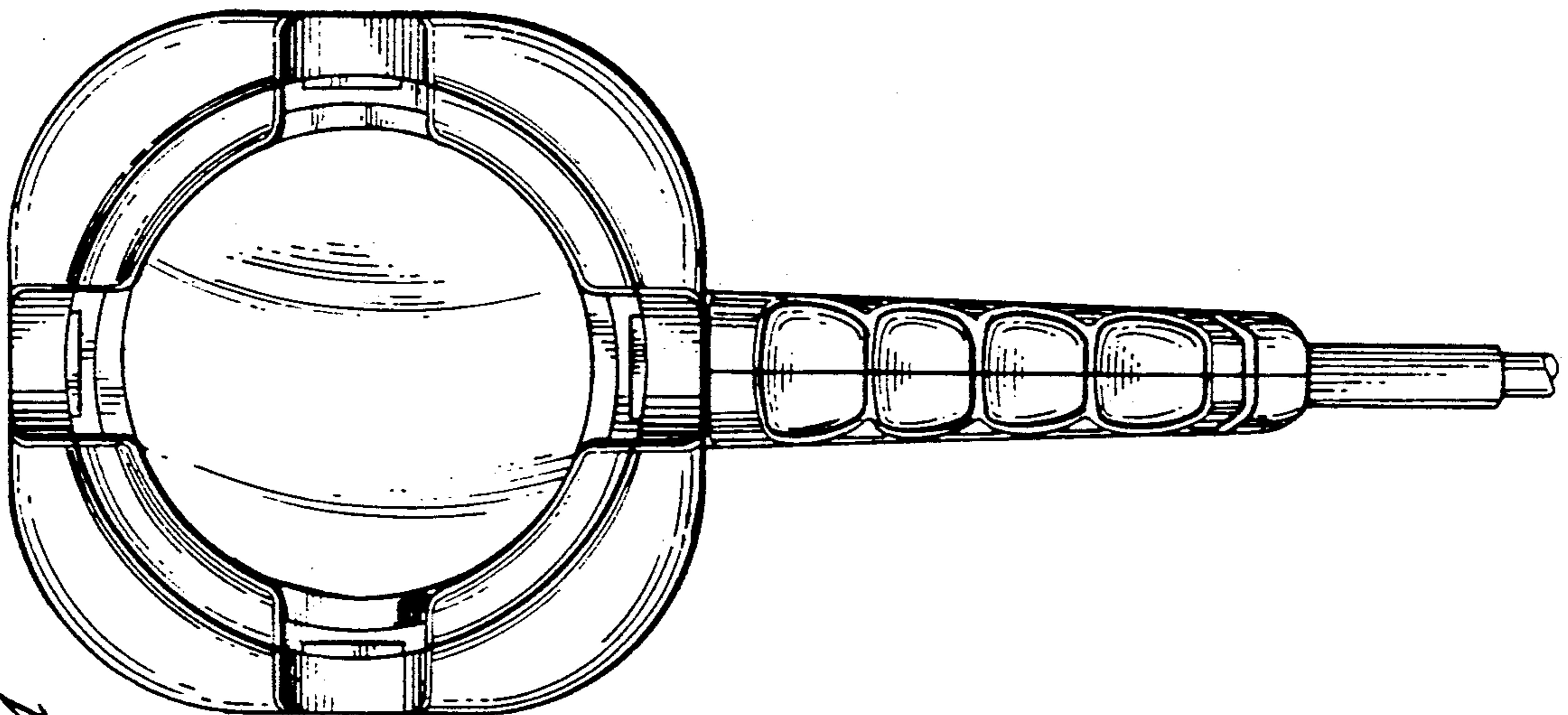


Fig. 4

Fig. 6

