

[54] LADDER PLATFORM

[76] Inventor: David F. Leeland, 309 Knights Bridge Way, Lititz, Pa. 17543

[**] Term: 14 Years

[21] Appl. No.: 346,615

[22] Filed: May 2, 1989

[52] U.S. Cl. D25/68

[58] Field of Search D25/62, 64, 66, 68; 182/53, 55, 61, 150, 152, 101, 102, 115-119, 123, 126, 141, 144, 187

[56] References Cited

U.S. PATENT DOCUMENTS

2,035,537	3/1936	Cowan et al.	182/116
3,664,458	5/1972	Sterns et al.	182/116
3,710,894	1/1973	O'Dell	182/106
4,579,198	4/1986	Lee	182/187
4,582,165	4/1986	Latini	182/187

Primary Examiner—A. Hugo Word

Assistant Examiner—Doris Clark
Attorney, Agent, or Firm—Dann, Dorfman, Herrell & Skillman

[57] CLAIM

The ornamental design for a ladder platform, as shown and described.

DESCRIPTION

FIG. 1 is a left perspective view of a ladder platform showing my new design, the right perspective view being a mirror image thereof;

FIG. 2 is an enlarged fragmentary top plan view of a side member taken along line 2—2 of FIG. 1, the broken line showing of the ladder post is for illustrative purposes only and form no part of the claimed design;

FIG. 3 is an enlarged fragmentary perspective view of the corner hinge thereof;

FIG. 4 is a fragmentary cross-sectional view taken on line 4—4 of FIG. 1; and

FIG. 5 is a perspective view thereof, the broken line showing of a hatch and ladder is for illustrative purposes only and form no part of the claimed design.

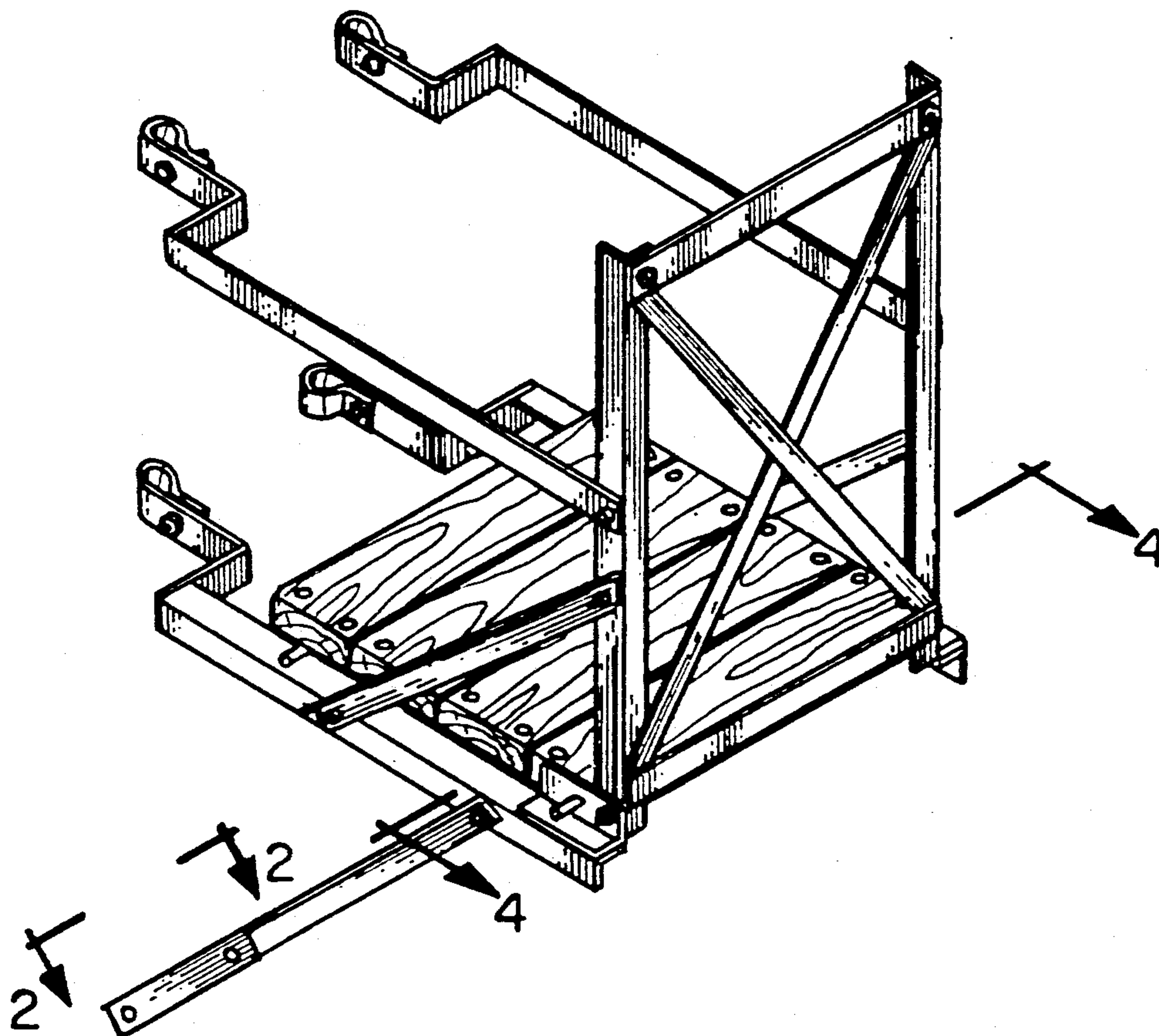


FIG. 1

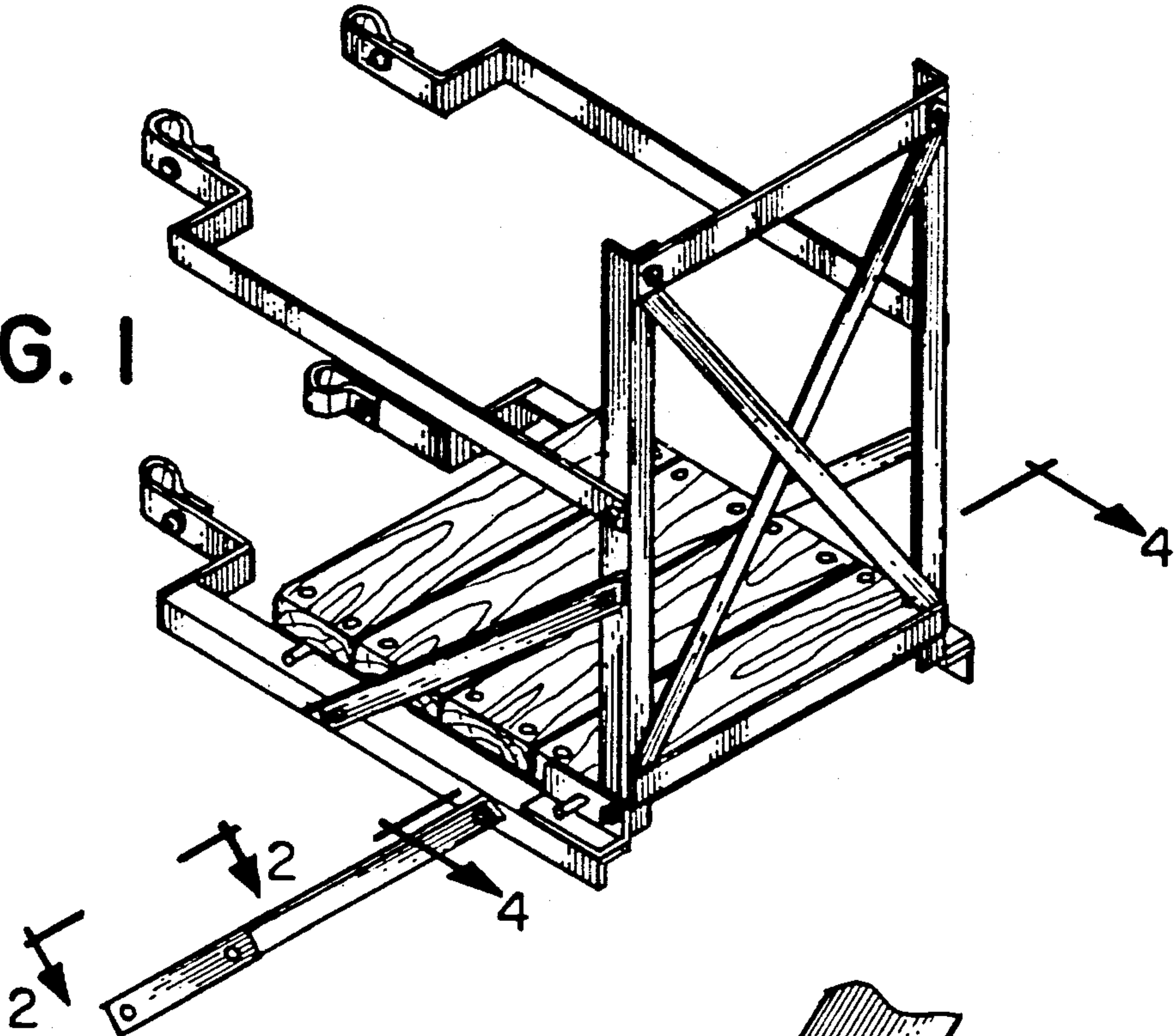


FIG. 2

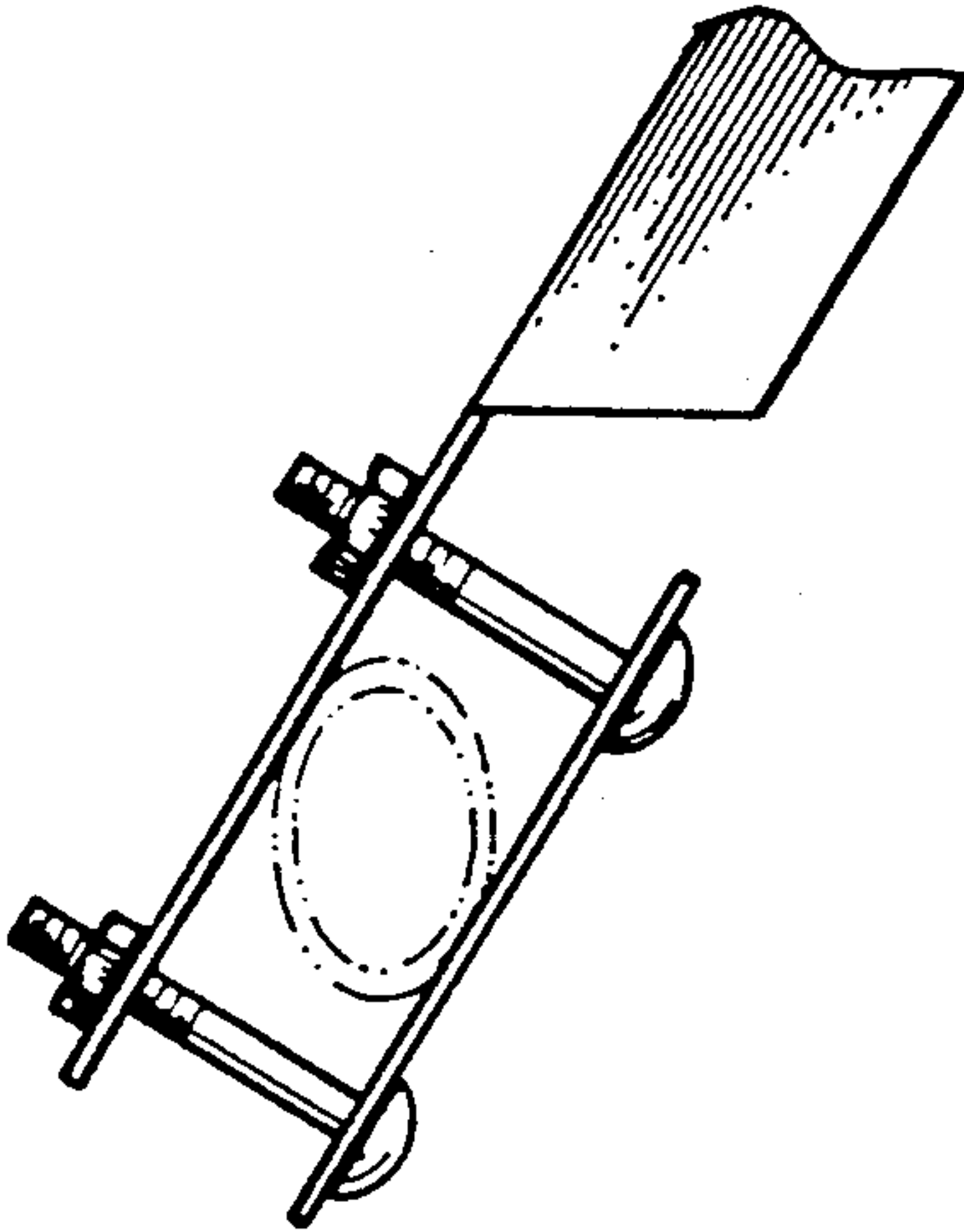
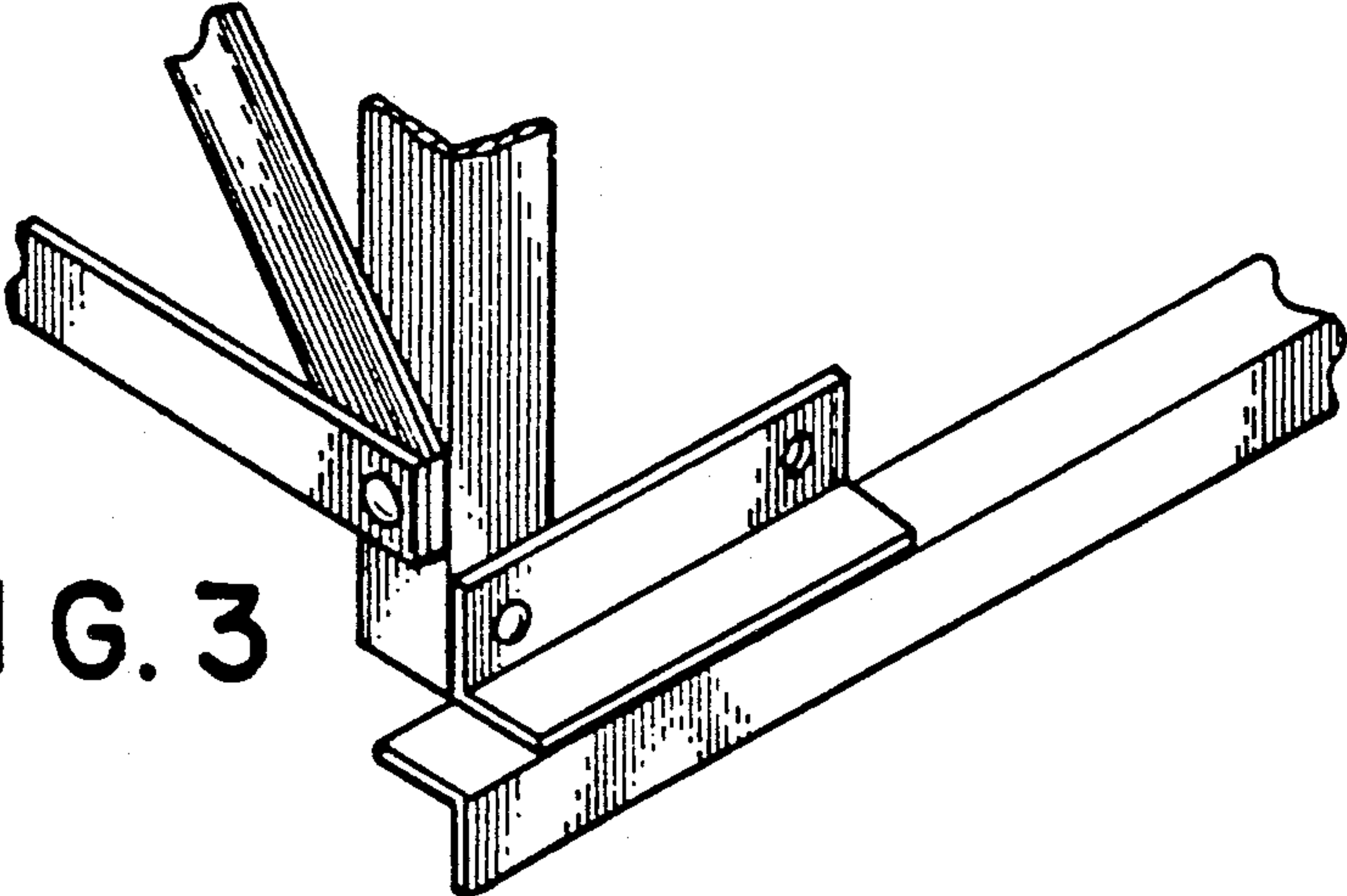


FIG. 3



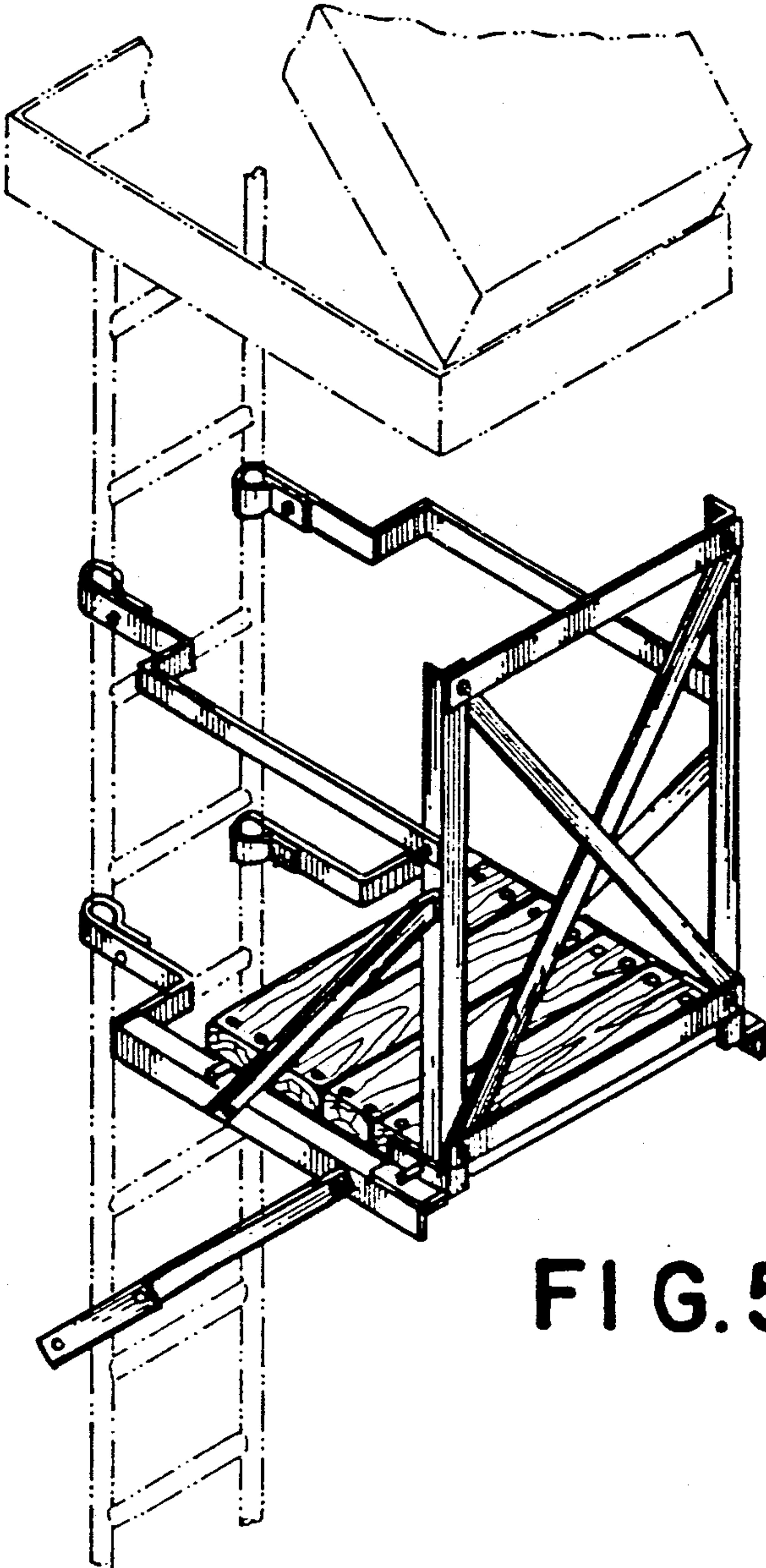


FIG. 5

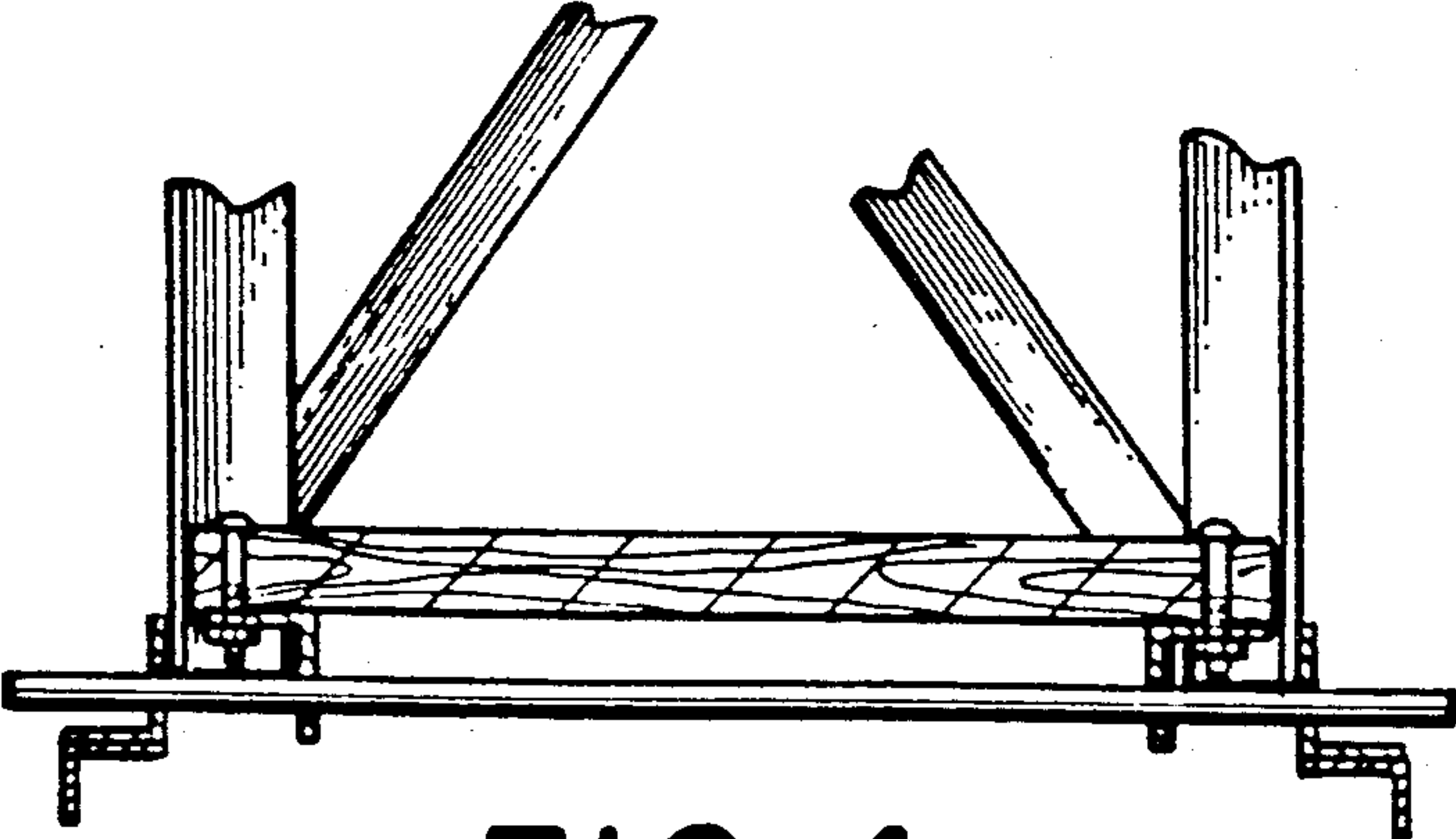


FIG. 4