

[54] SURGICAL PURSE STRING APPLICATOR

[75] Inventors: David T. Green, Westport; Henry Bolanos, E. Norwalk, both of Conn.; Wayne P. Young, Brewster, N.Y.; Stephen Gerry, Newtown, Conn.

[73] Assignee: United States Surgical Corporation, Norwalk, Conn.

[**] Term: 14 Years

[21] Appl. No.: 357,105

[22] Filed: May 25, 1989

[52] U.S. Cl. D24/145

[58] Field of Search D24/145; 227/19, 178, 227/83; 606/148, 139, 144

[56] References Cited

U.S. PATENT DOCUMENTS

- 4,749,114 6/1988 Green 227/19
- 4,773,420 9/1988 Green .
- 4,821,939 4/1989 Green .

Primary Examiner—Stella Reid
Attorney, Agent, or Firm—Thomas R. Bremer; Peter G. Dilworth; Rocco S. Barrese

[57] CLAIM

The ornamental design for a surgical purse string applicator, as shown and described.

DESCRIPTION

FIG. 1 is a top, side and end perspective view of a surgical purse string applicator, showing our new design;

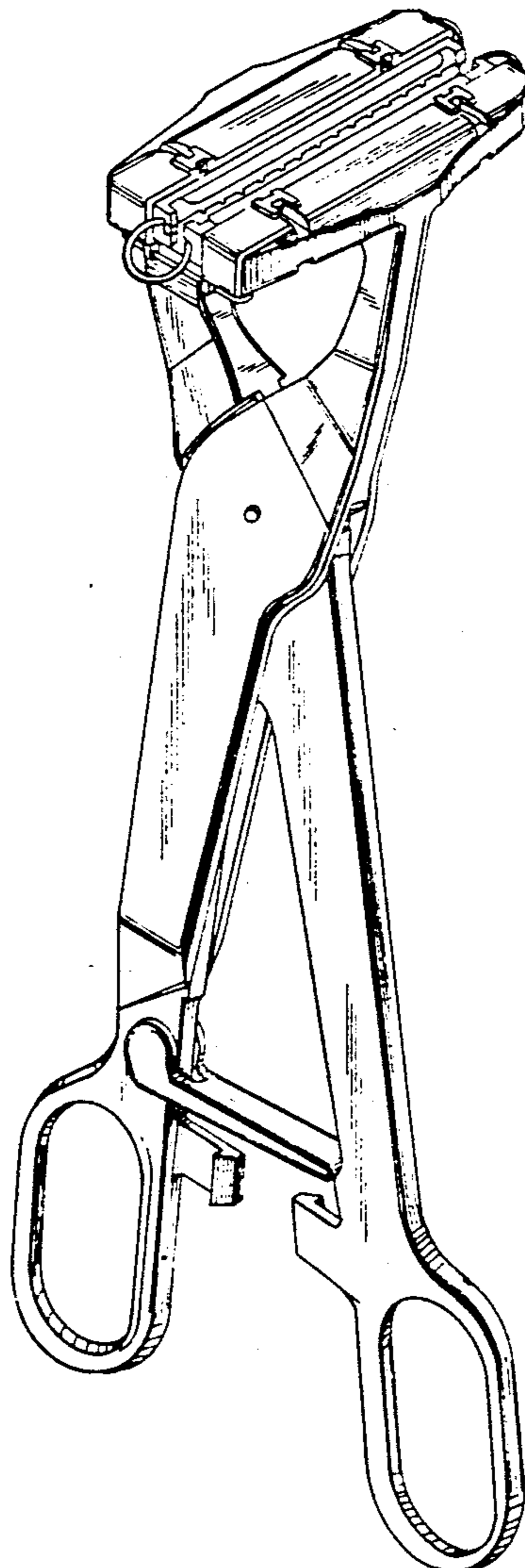
FIG. 2 is a side elevational view thereof, opposite that shown in FIG. 1;

FIG. 3 is an end elevational view thereof, as seen from the left of FIG. 2;

FIG. 4 is an end elevational view thereof, as seen from the right of FIG. 2;

FIG. 5 is a top plan view thereof, as seen from the top of FIG. 1; and

FIG. 6 is a bottom plan view thereof, as seen from the bottom of FIG. 1.



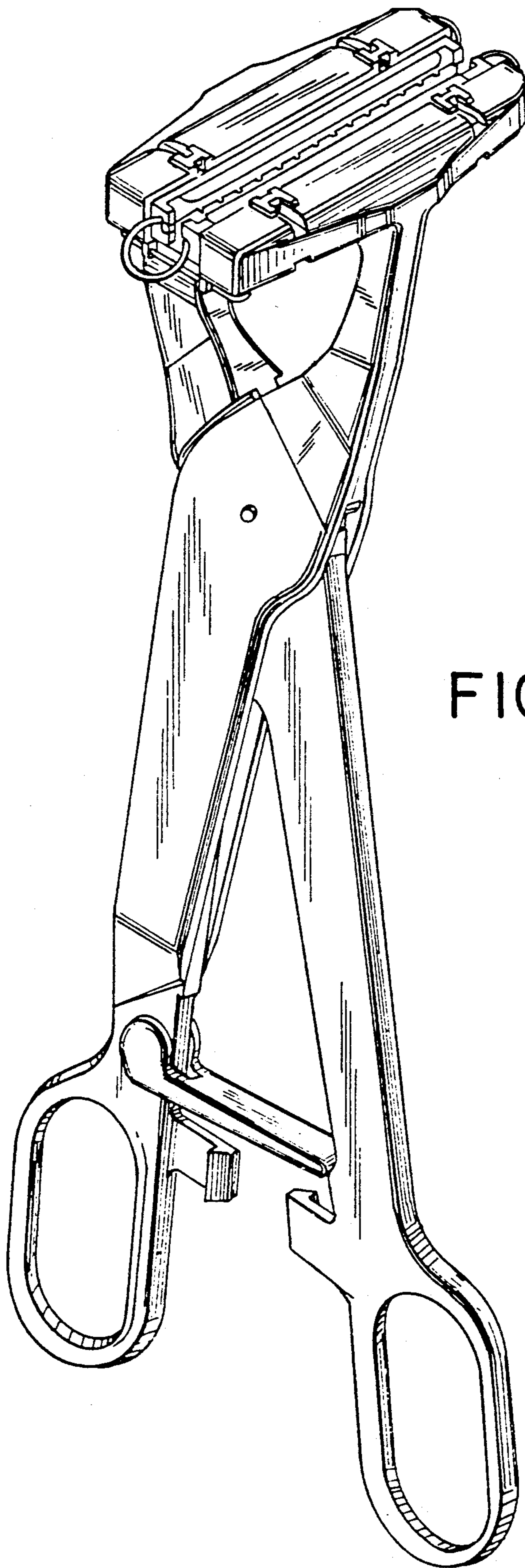


FIG. 1

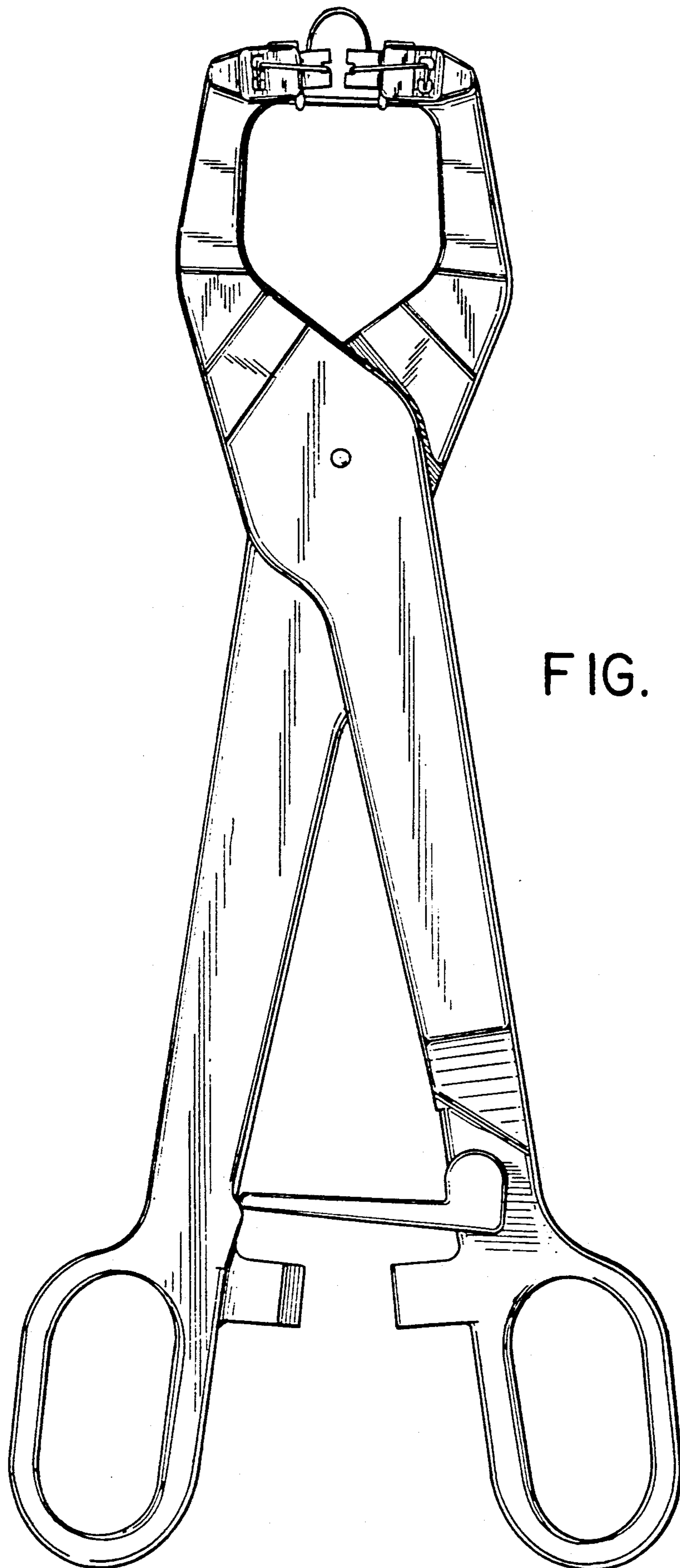


FIG. 2

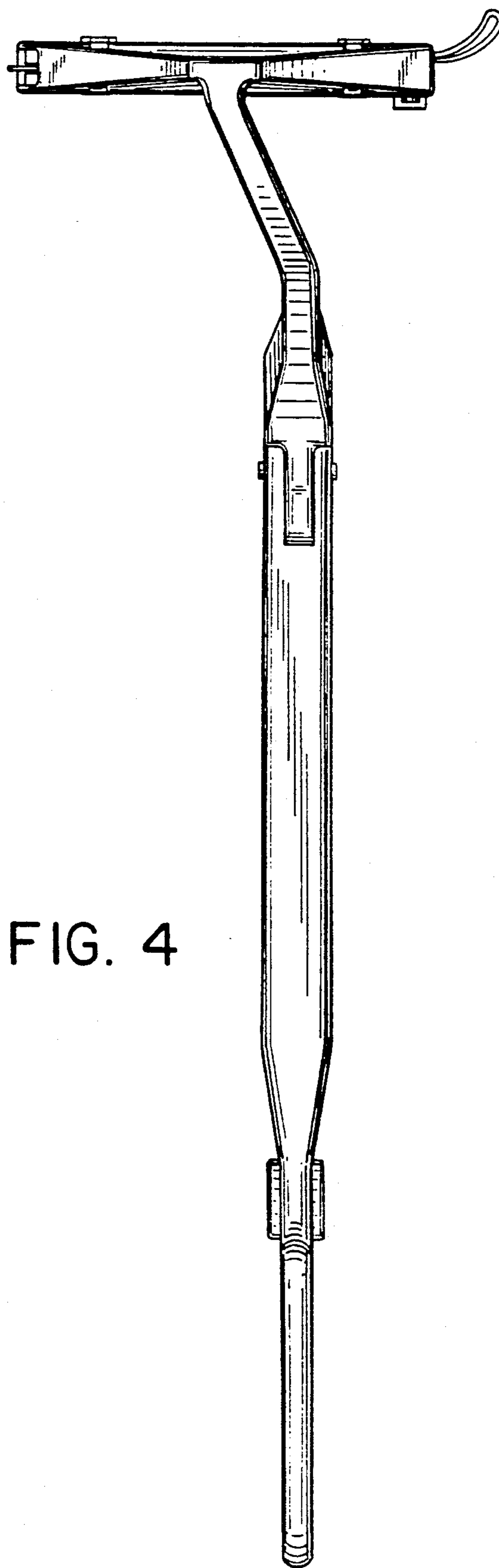
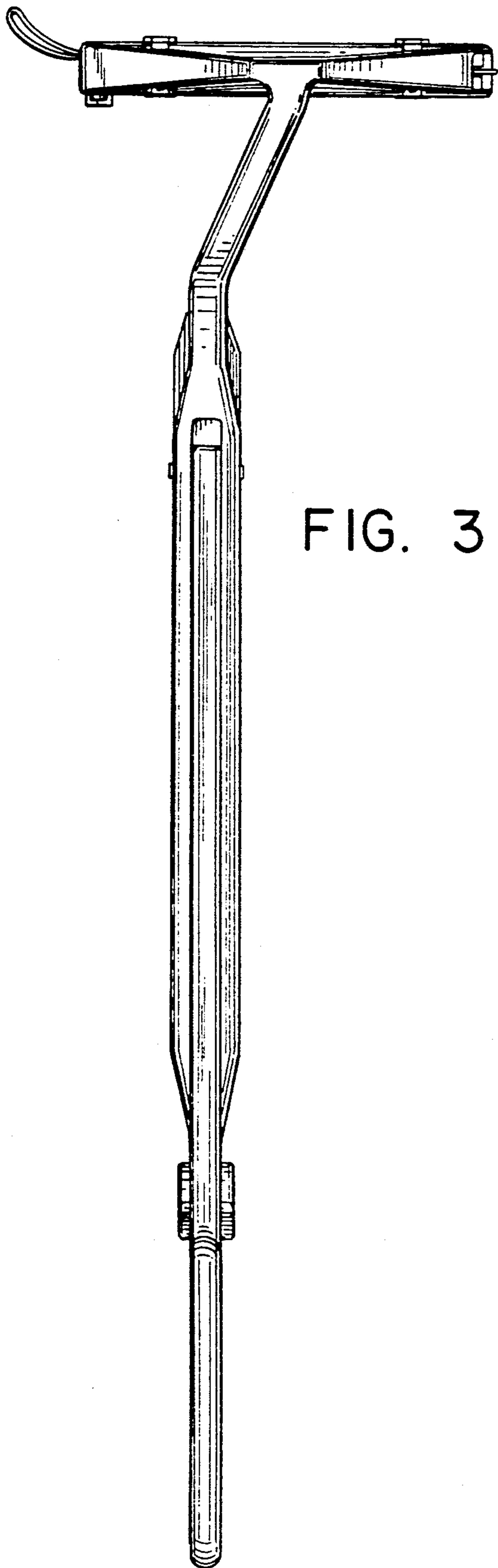


FIG. 5

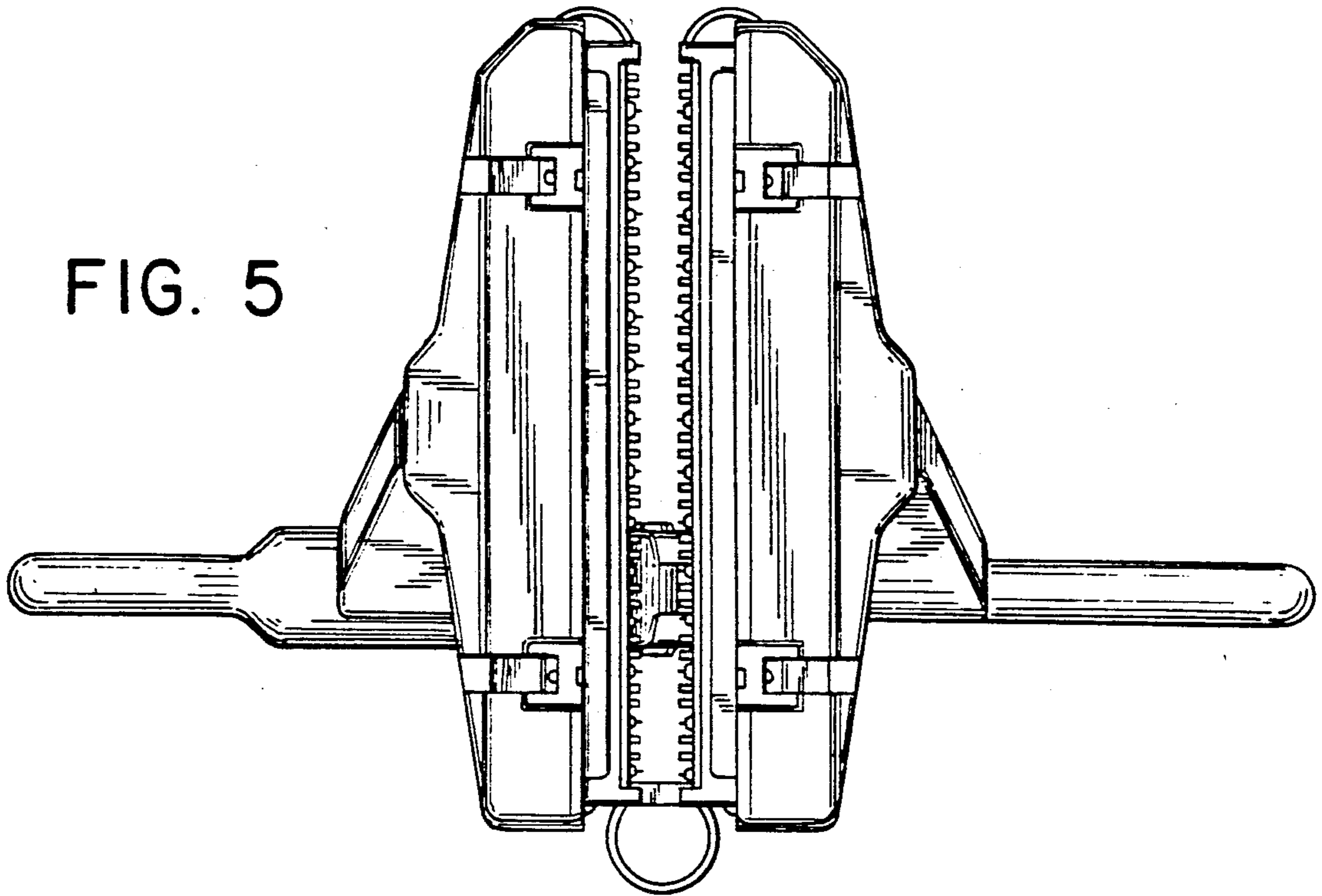


FIG. 6

