

[54] CORNER SINK

[75] Inventor: Stephen B. Dawkins, Penhurst, Australia

[73] Assignee: McIlwraith Davey Pty Limited, New South Wales, Australia

[**] Term: 14 Years

[21] Appl. No.: 218,593

[22] Filed: Jul. 12, 1988

[30] Foreign Application Priority Data

Jan. 15, 1988 [AU] Australia 0153/88

[52] U.S. Cl. D23/288; D23/287

[58] Field of Search D23/284-294, D23/308; 4/553, 619-656; 134/115; 312/228

[56] References Cited

U.S. PATENT DOCUMENTS

D. 224,533 8/1972 Hauser D23/290
D. 293,813 1/1988 Fischer et al. D23/271

OTHER PUBLICATIONS

Sweets Catalog for Engineering & Retrofit, 1986, section 15.7/EL p. 2, Model No. CCR-3232, 4 FIG. in 3rd column.

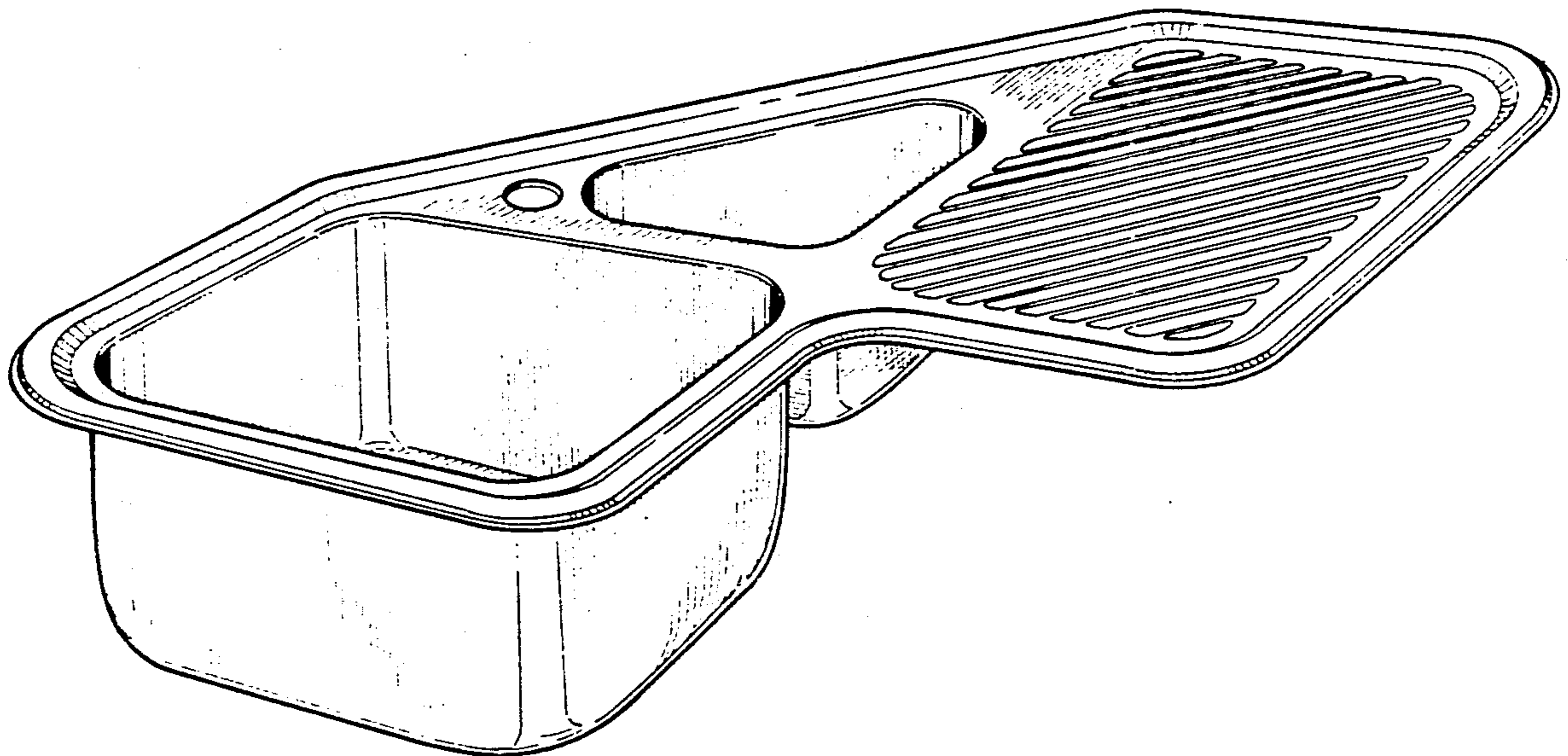
Primary Examiner—James R. Largen
Attorney, Agent, or Firm—Ladas & Parry

[57] CLAIM

The ornamental design for corner sink, as shown.

DESCRIPTION

FIG. 1 is a perspective view taken from the top, front and right side of a corner sink showing my new design; FIG. 2 is a top plan view thereof; FIG. 3 is a front elevational view thereof; FIG. 4 is a rear elevational view thereof; FIG. 5 is a right side elevational view thereof; and FIG. 6 is a left side elevational view thereof.



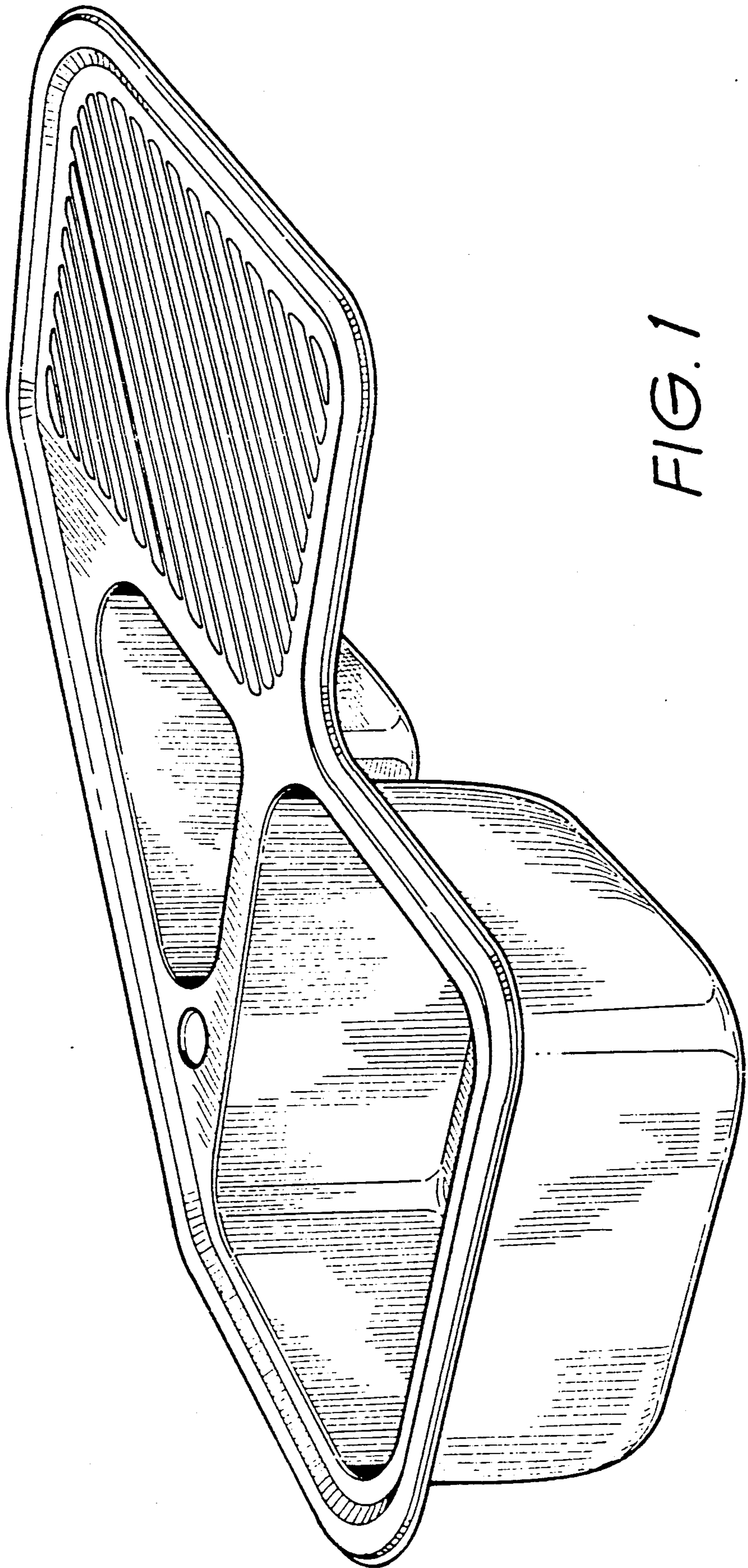


FIG. 1

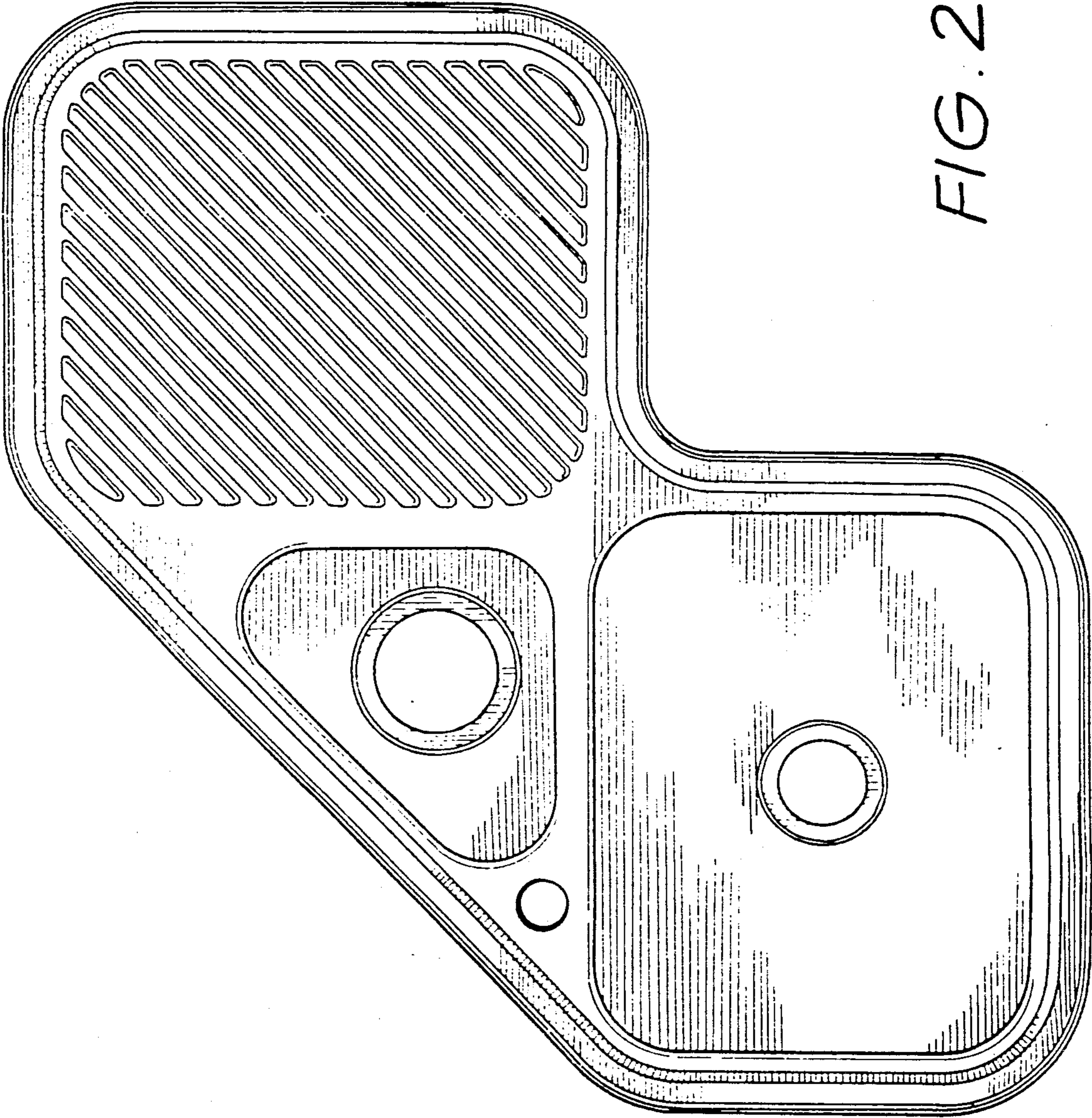


FIG. 2

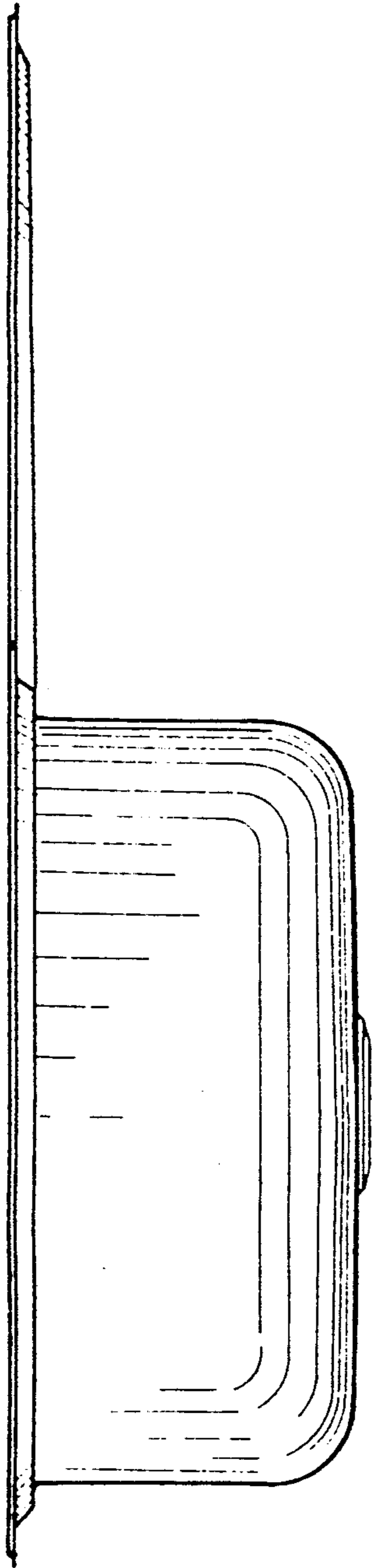


FIG. 3

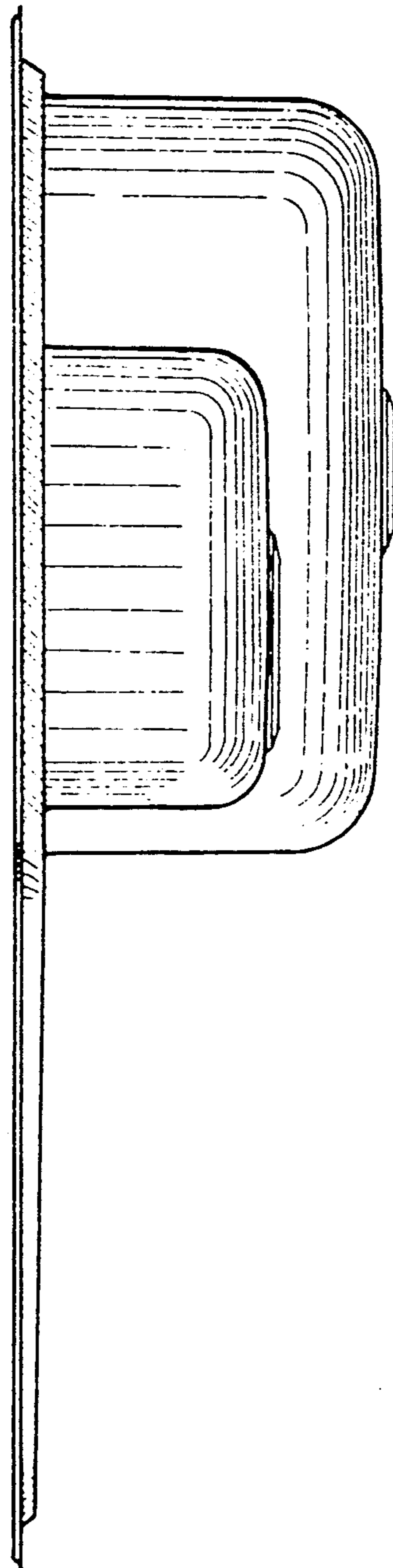


FIG. 4

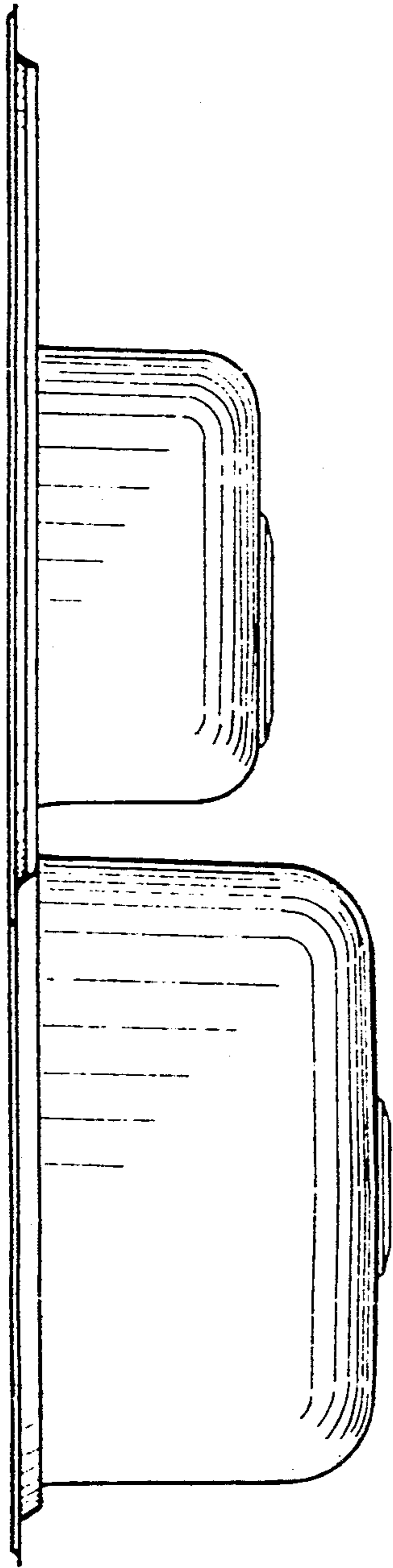


FIG. 5

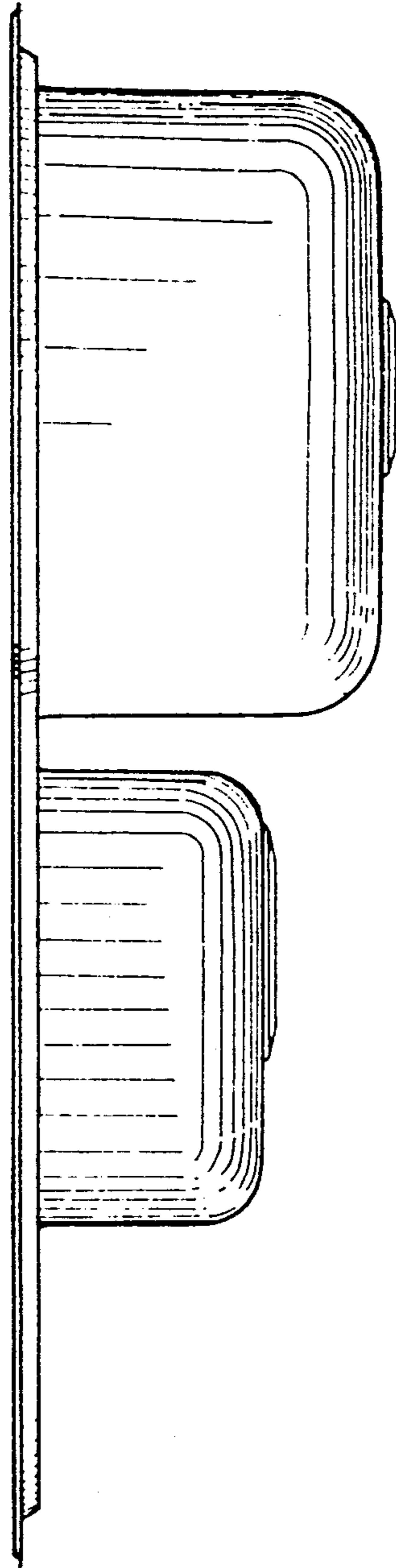


FIG. 6