

- [54] **COMBINED LAVATORY AND TABLE TOP**
- [75] **Inventor: Mary J. Reid, Sheboygan, Wis.**
- [73] **Assignee: Kohler Co., Kohler, Wis.**
- [**] **Term: 14 Years**
- [21] **Appl. No.: 657,212**
- [22] **Filed: Feb. 13, 1991**

Related U.S. Application Data

- [60] Division of Ser. No. 45,254, May 1, 1987, Pat. No. Des. 319,497, which is a continuation-in-part of Ser. No. 3,214, Jan. 14, 1987, abandoned.
- [52] **U.S. Cl. D23/284**
- [58] **Field of Search D23/284-294, D23/308**

References Cited

U.S. PATENT DOCUMENTS

D. 16,949	10/1886	Bunting, Jr.	D23/294
D. 17,950	12/1887	Torrance	D23/290
D. 30,135	2/1899	Peet	D23/294
D. 37,957	4/1906	Zipp	D23/284
D. 74,845	2/1928	Smith	D23/294
D. 76,700	10/1928	Nash	D23/294
D. 76,745	10/1928	Frankenberger	D23/294
D. 84,499	6/1931	Steele	D23/294
D. 89,200	2/1933	Kohler, Jr. et al.	D23/291
D. 197,879	4/1964	Korol	D23/294
D. 238,070	12/1975	Granger	D23/294

OTHER PUBLICATIONS

Pp. 43, 45, and 47 from a 1973 Kohler Co. "K73" catalog.

P. 126 from Kohler Co. 1925 catalog.
 Pp. 232, 232A and 235 from Kohler Co. 1929 catalog.
 P. 36 from Kohler Co. 1939 catalog.
 Pp. 45 and 53, 1973 "K73 Plumbing Products Catalog." Kohler.
 Pp. 8-2a, 8-18a, and 10-10, 1986 "K-400" catalog. Kohler.

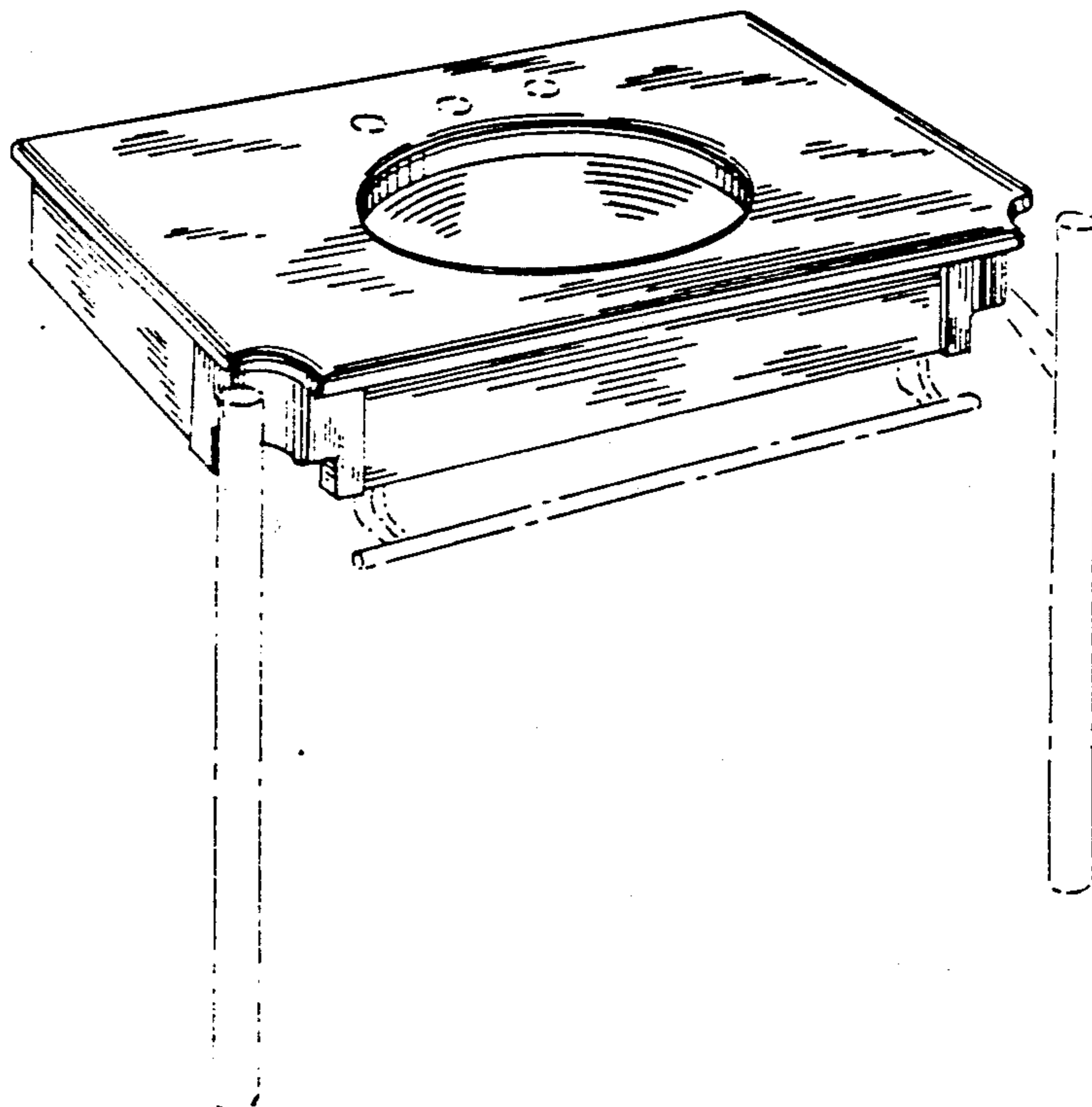
Primary Examiner—James R. Largen
Attorney, Agent, or Firm—Quarles & Brady

[57] **CLAIM**

The ornamental design for a combined lavatory and table top, as shown and described.

DESCRIPTION

FIG. 1 is a perspective view taken from top, front and left side of a combined lavatory and table top showing my new design;
 FIG. 2 is a top plan view thereof;
 FIG. 3 is a front elevational view thereof;
 FIG. 4 is a bottom plan view thereof;
 FIG. 5 is a left side elevational view thereof;
 FIG. 6 is a right side elevational view thereof;
 FIG. 7 is a perspective view taken from the top, front and left side of the second embodiment thereof;
 FIG. 8 is a perspective view from the top, front and the left side of the third embodiment thereof;
 FIG. 9 is a front elevational view of FIG. 8;
 FIG. 10 is a left side elevational view of FIG. 8; and
 FIG. 11 is a right side elevational view of FIG. 8.
 The broken line showing of support legs and a towel bar in FIG. 1 and of fitting openings in FIGS. 1 and 8-11 are for purposes of illustration only and form no part of the claimed design.



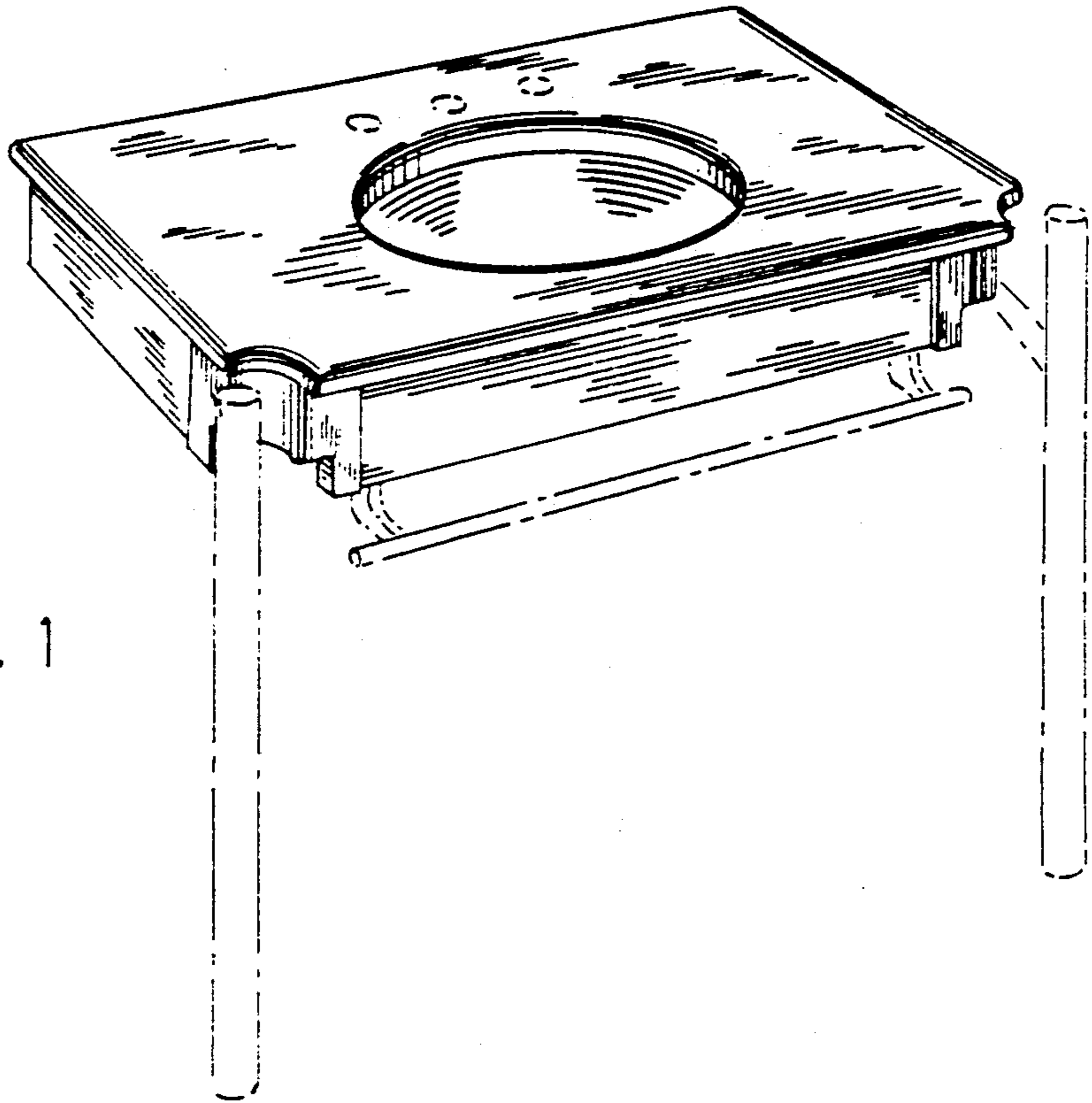


FIG. 1

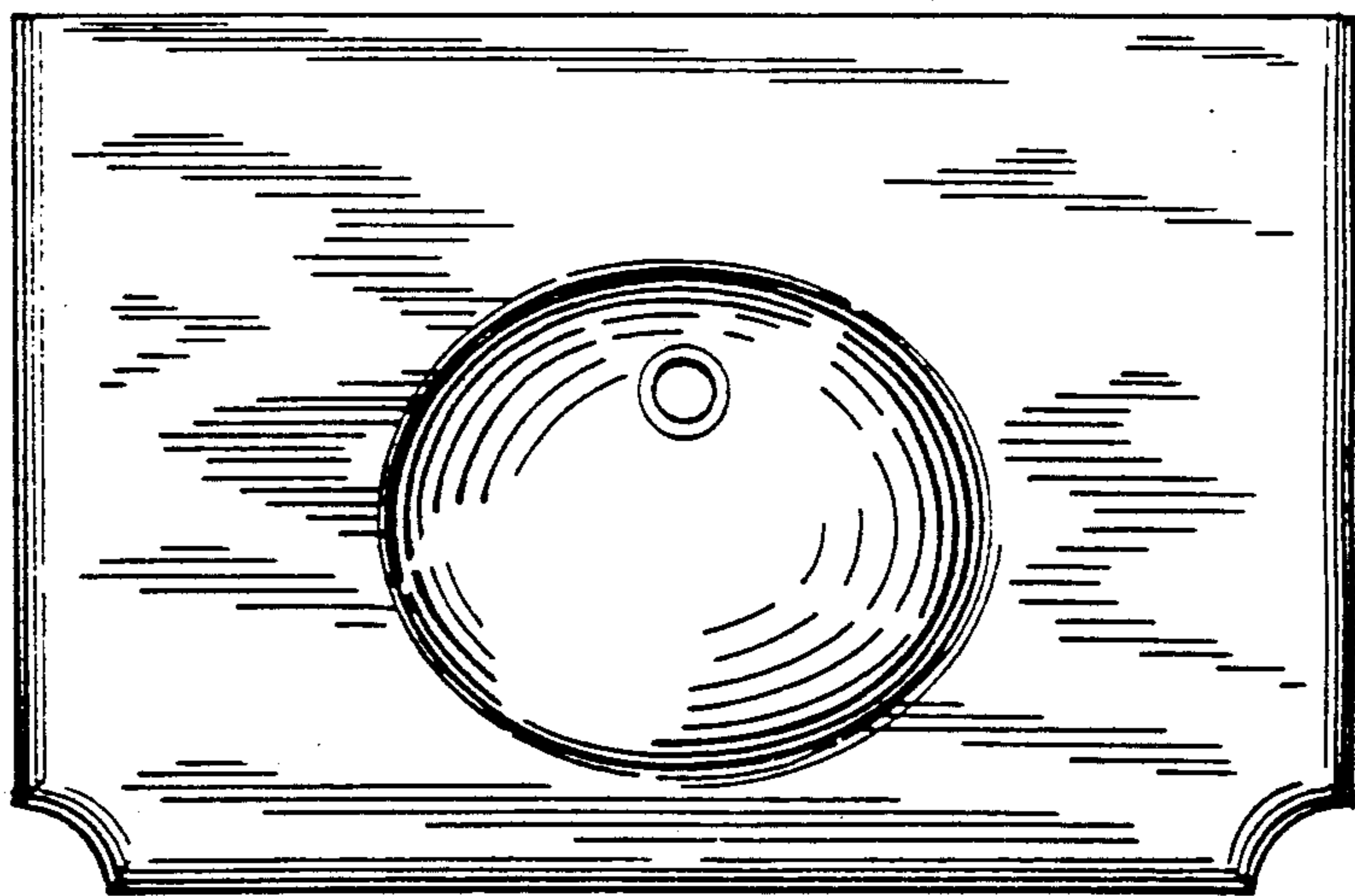


FIG. 2

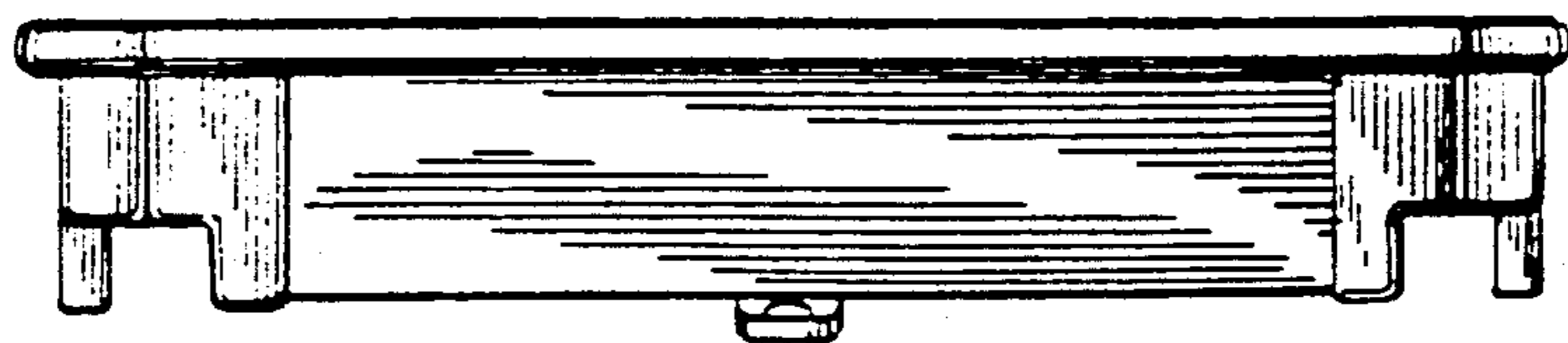


FIG. 3

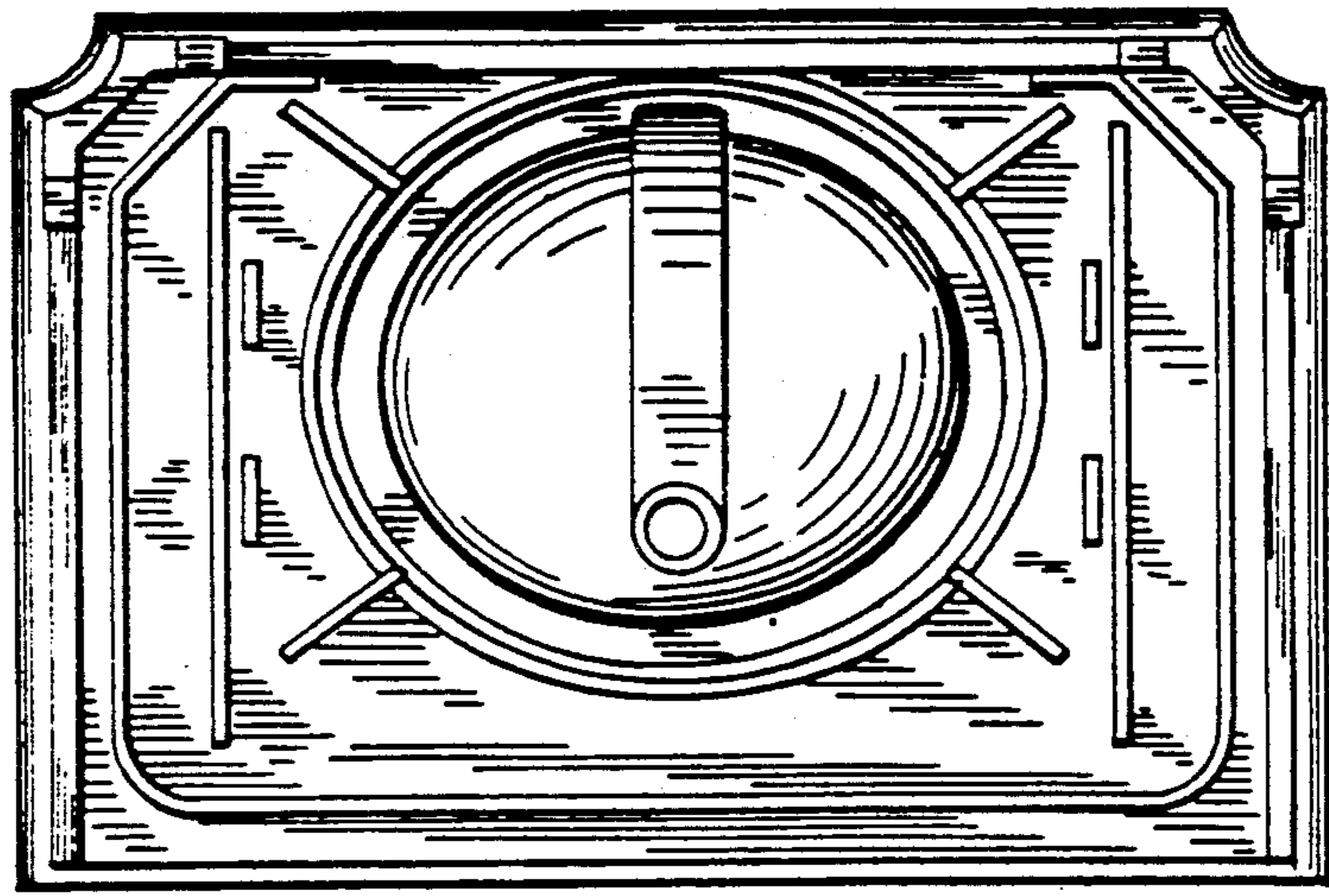


FIG. 4

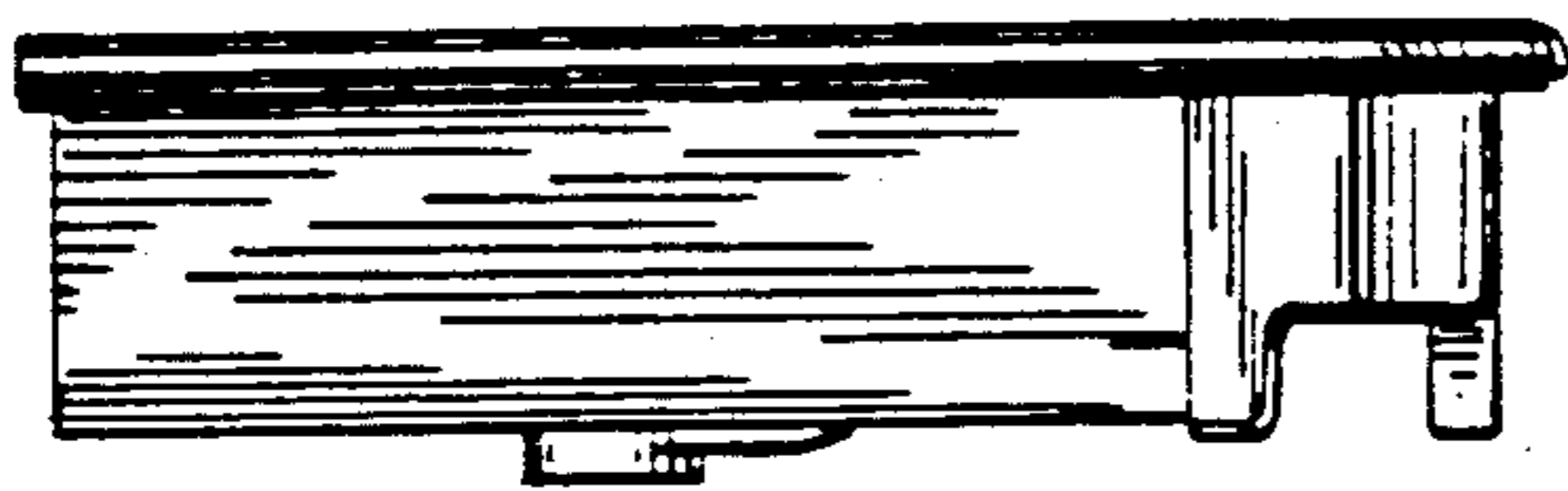


FIG. 5

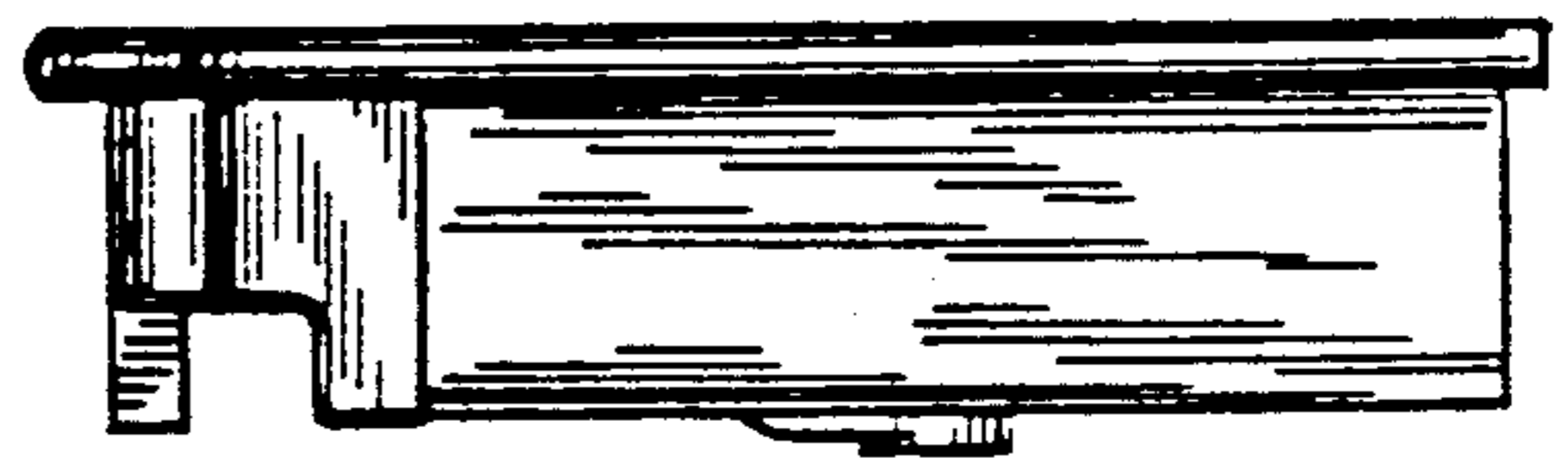


FIG. 6

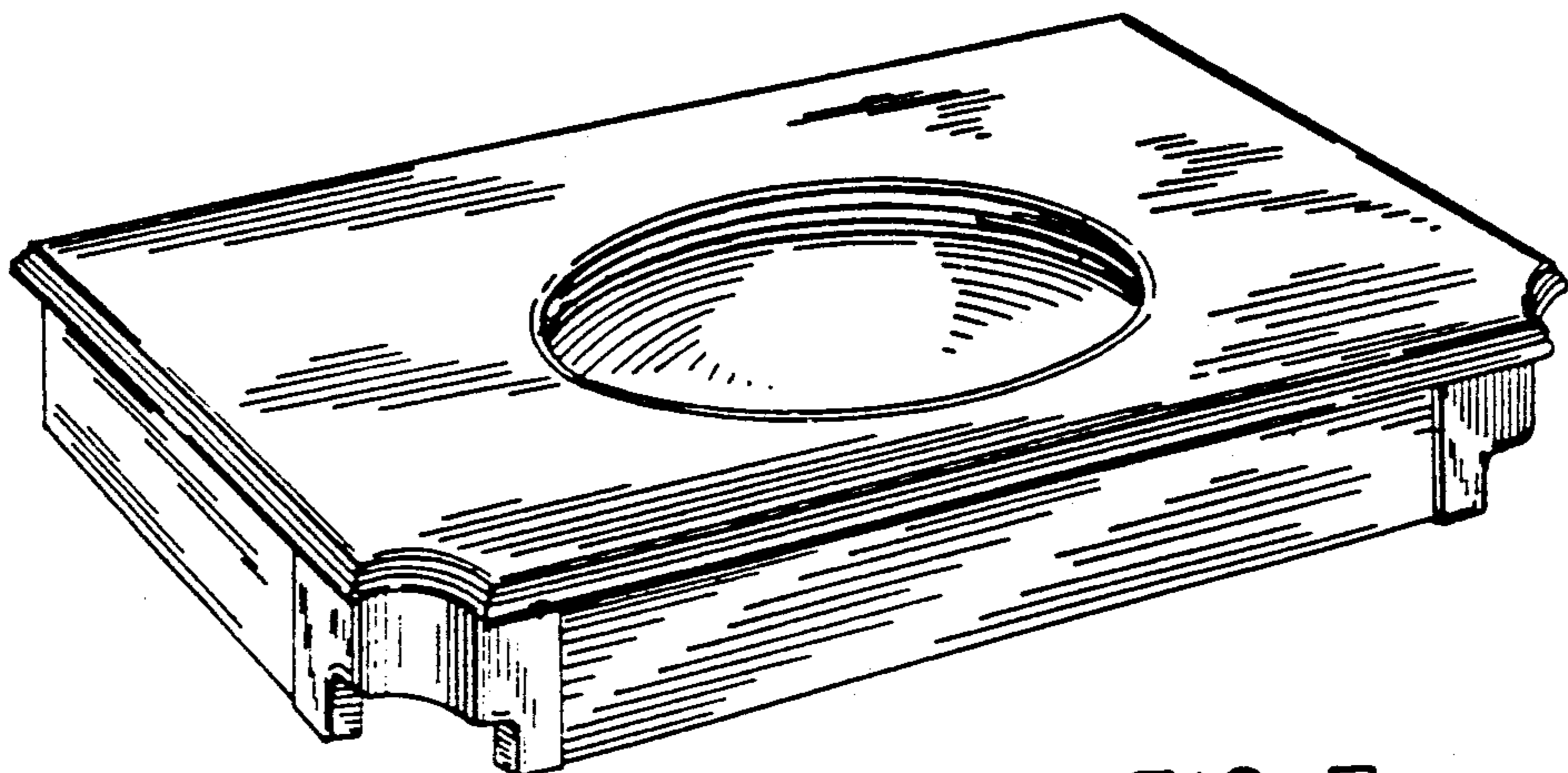


FIG. 7

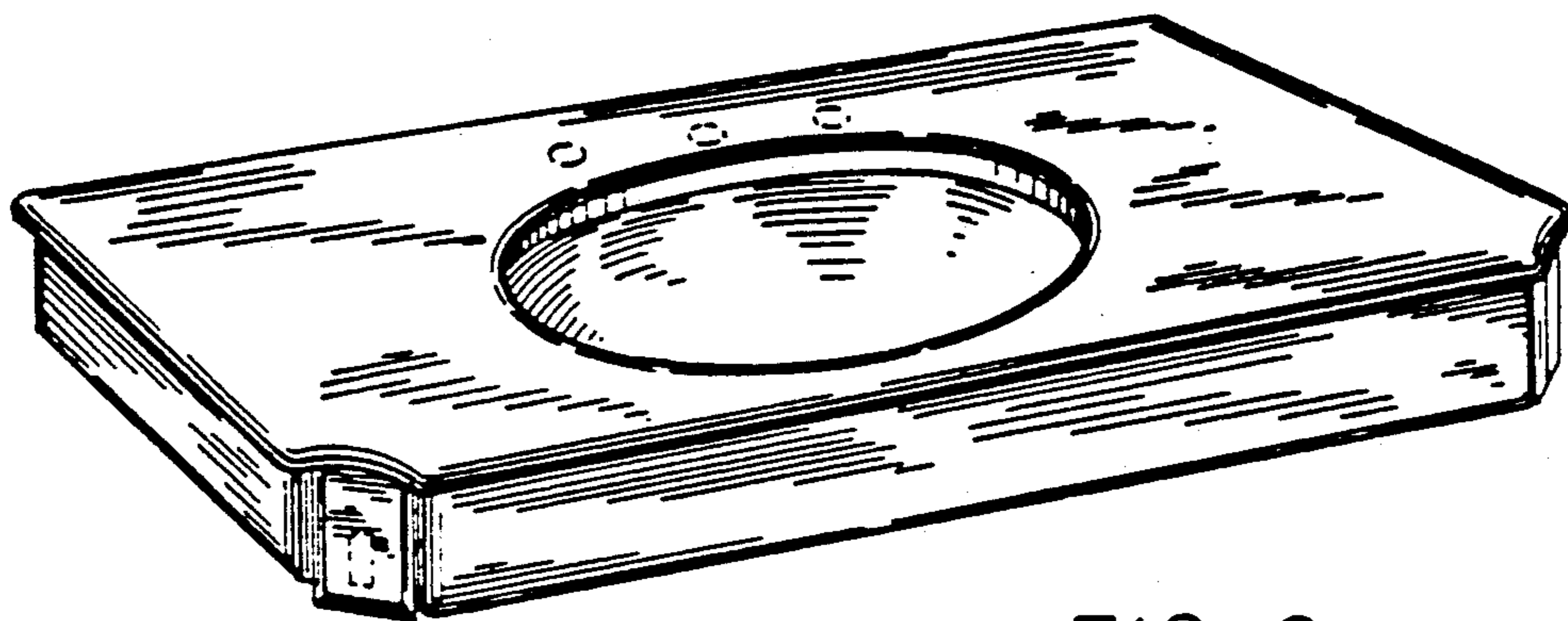


FIG. 8

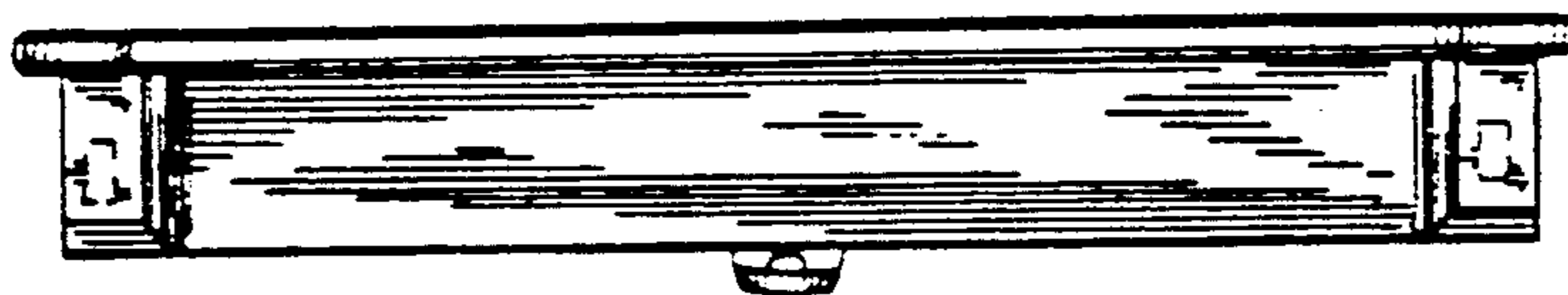


FIG. 9

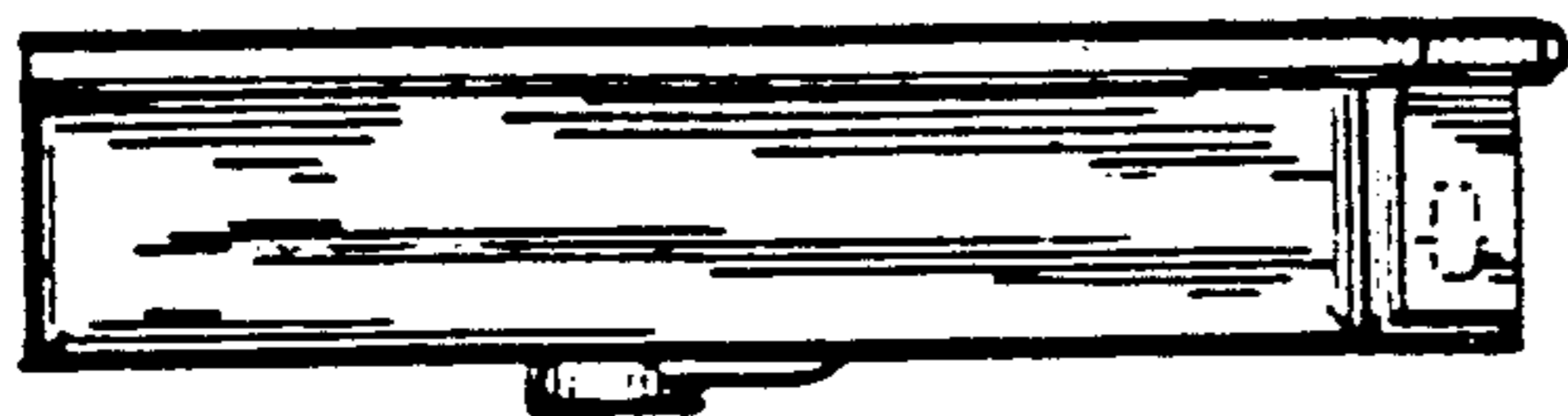


FIG. 10

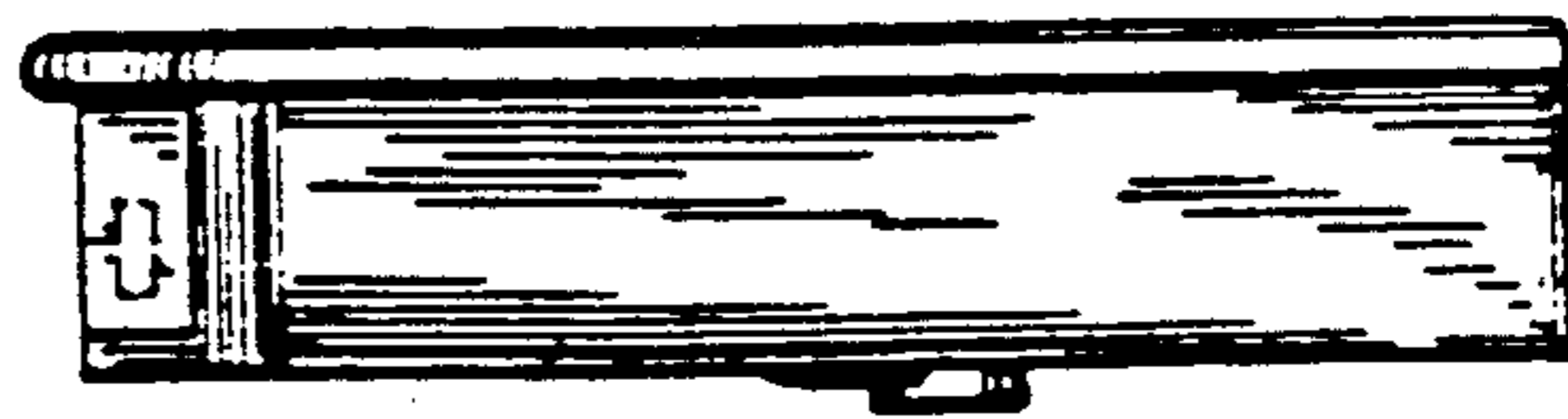


FIG. 11