

United States Patent [19]

Forbes, Jr.

[11] Patent Number: Des. 322,456

[45] Date of Patent: ** Dec. 17, 1991

[54] ENVELOPE

[75] Inventor: Hampton E. Forbes, Jr., Newark, Del.

[73] Assignee: Westvaco Corporation, New York, N.Y.

[*] Notice: The portion of the term of this patent subsequent to Dec. 18, 2004 has been disclaimed.

[**] Term: 14 Years

[21] Appl. No.: 166,791

[22] Filed: Mar. 2, 1988

Related U.S. Application Data

[63] Continuation-in-part of Ser. No. 760,601, Jul. 30, 1985.

[52] U.S. Cl. D19/3

[58] Field of Search D19/1, 2, 4, 3, 5, 6;
D9/305; 229/62 R, 1.5 R; 281/19.1, 16, 17;
206/620

[56] References Cited

U.S. PATENT DOCUMENTS

D. 250,590 12/1978 Cohn et al. D19/3
960,384 6/1910 Norman 229/68 R

1,292,264 1/1919 Coulson, Jr. et al. 229/68 R
1,956,325 4/1934 Hart 229/68 R X
2,219,526 10/1940 McLaren 229/68 R
2,945,617 7/1960 Normandin 229/68 R
3,073,508 1/1963 Hiersteiner 229/68 R
3,552,640 1/1971 Young 229/68 R

Primary Examiner—Wallace R. Burke
Assistant Examiner—Pamela J. Schmidt

[57] CLAIM

The ornamental design for an envelope, as shown and described.

DESCRIPTION

FIG. 1 is a front elevational view of an envelope showing my new design;

FIG. 2 is a side elevational view thereof, the undisclosed side being the same;

FIG. 3 is a bottom plan view thereof, the undisclosed top being substantially the same;

FIG. 4 is a rear elevational view thereof;

FIG. 5 is an elevational view of a blank of FIG. 1, the undisclosed rear being the same;

FIG. 6 is a top plan view thereof;

FIG. 7 is a side elevational view thereof, the undisclosed side being the same; and

FIG. 8 is a bottom plan view thereof.

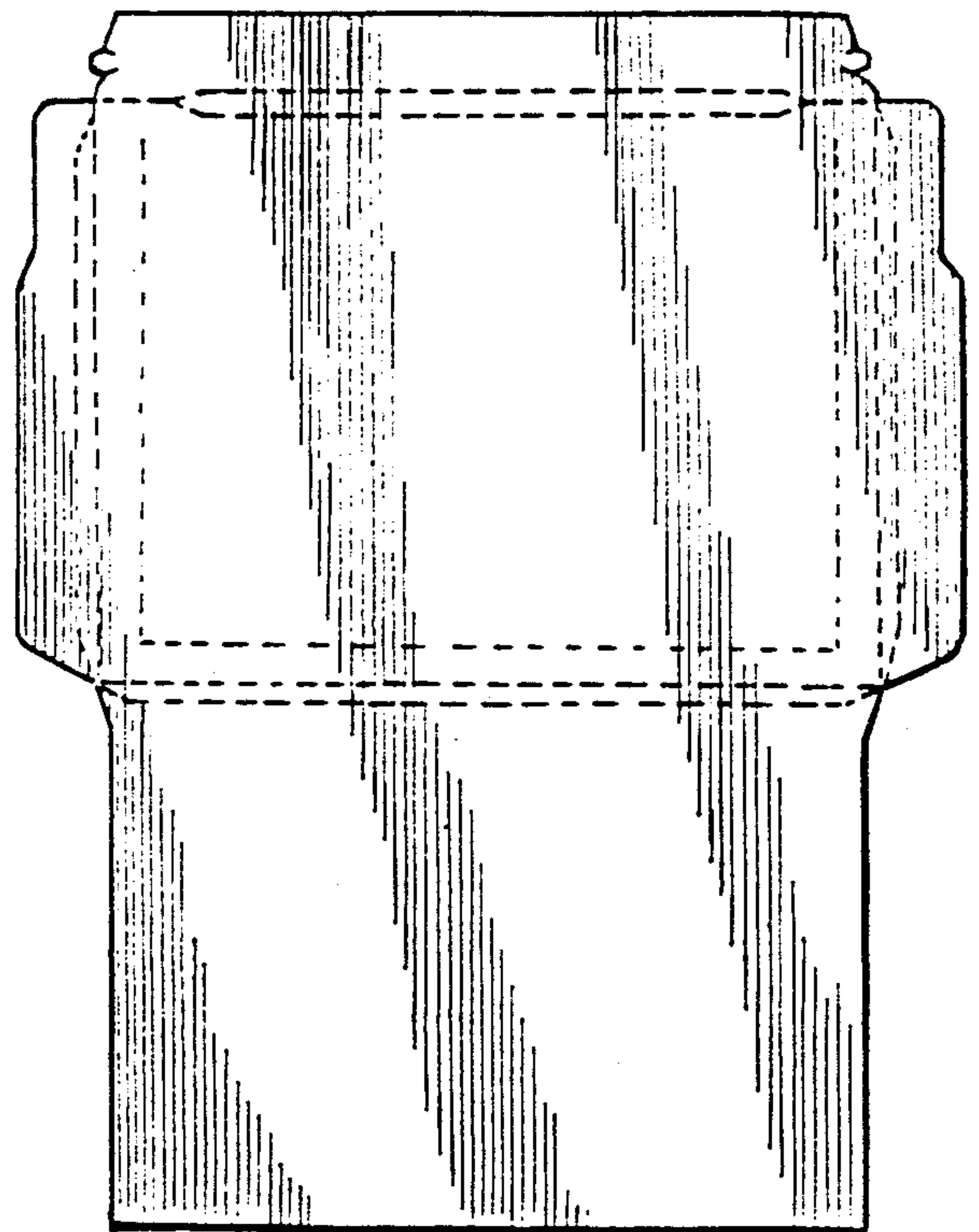
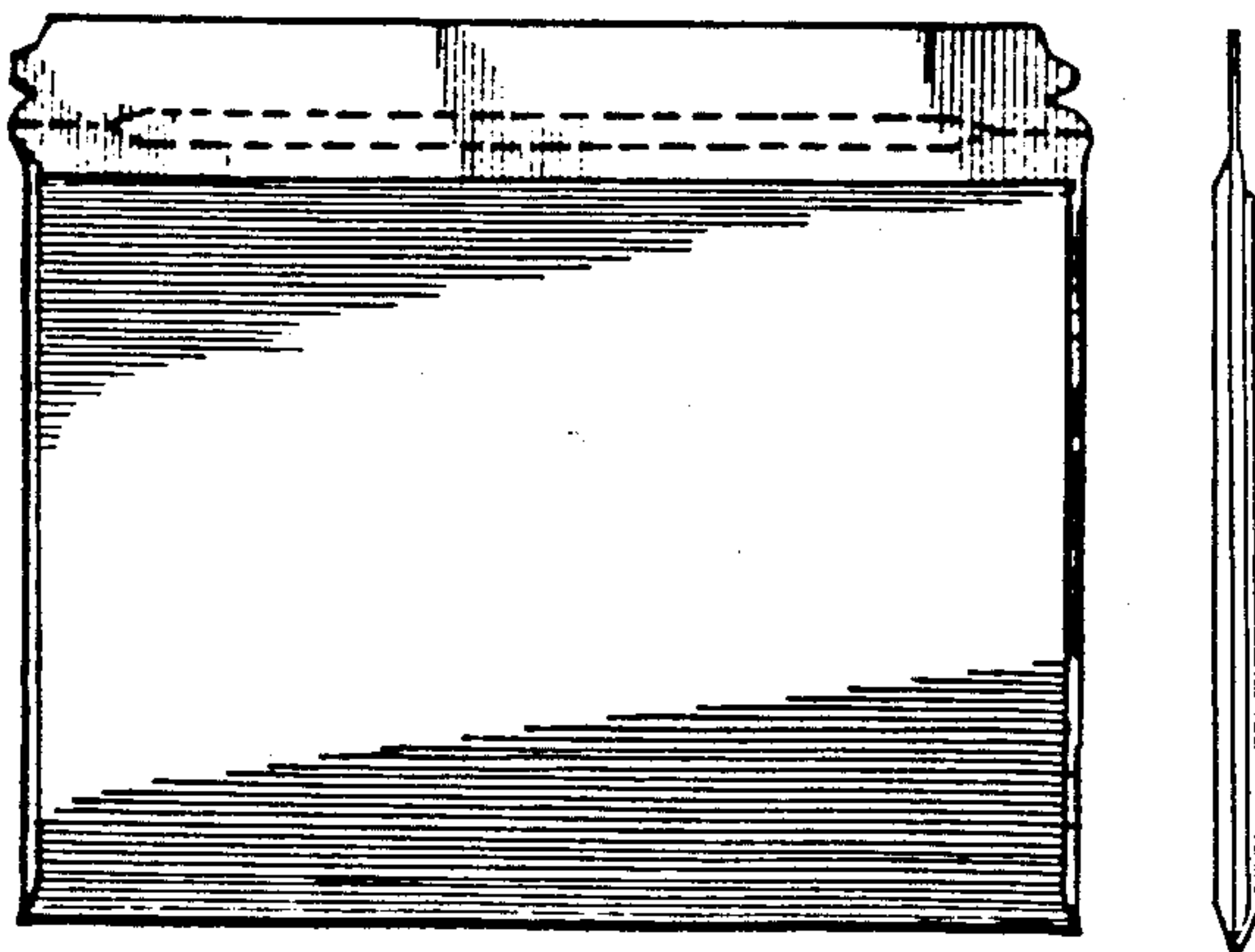


FIG 1.

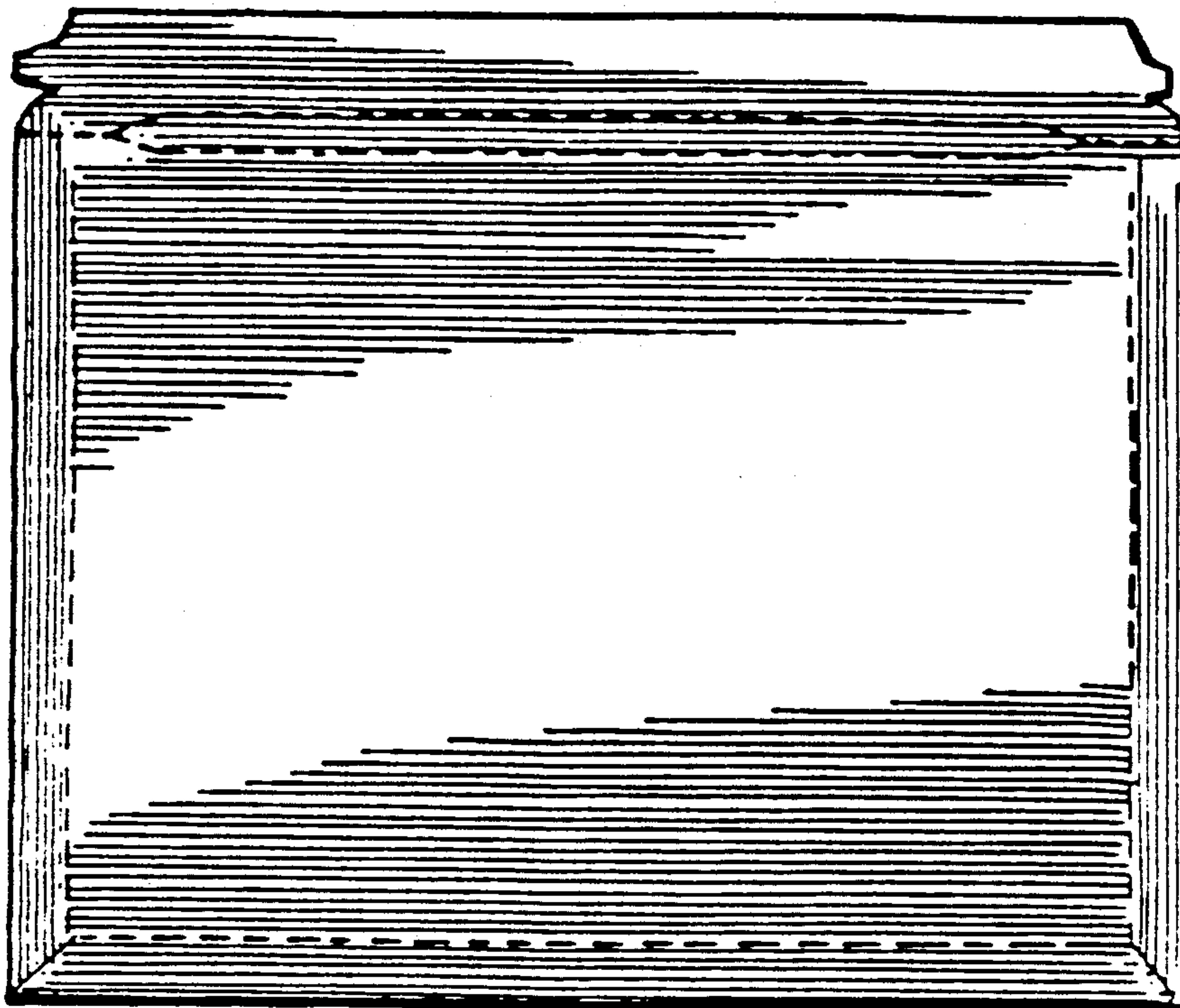


FIG 2.



FIG 3.

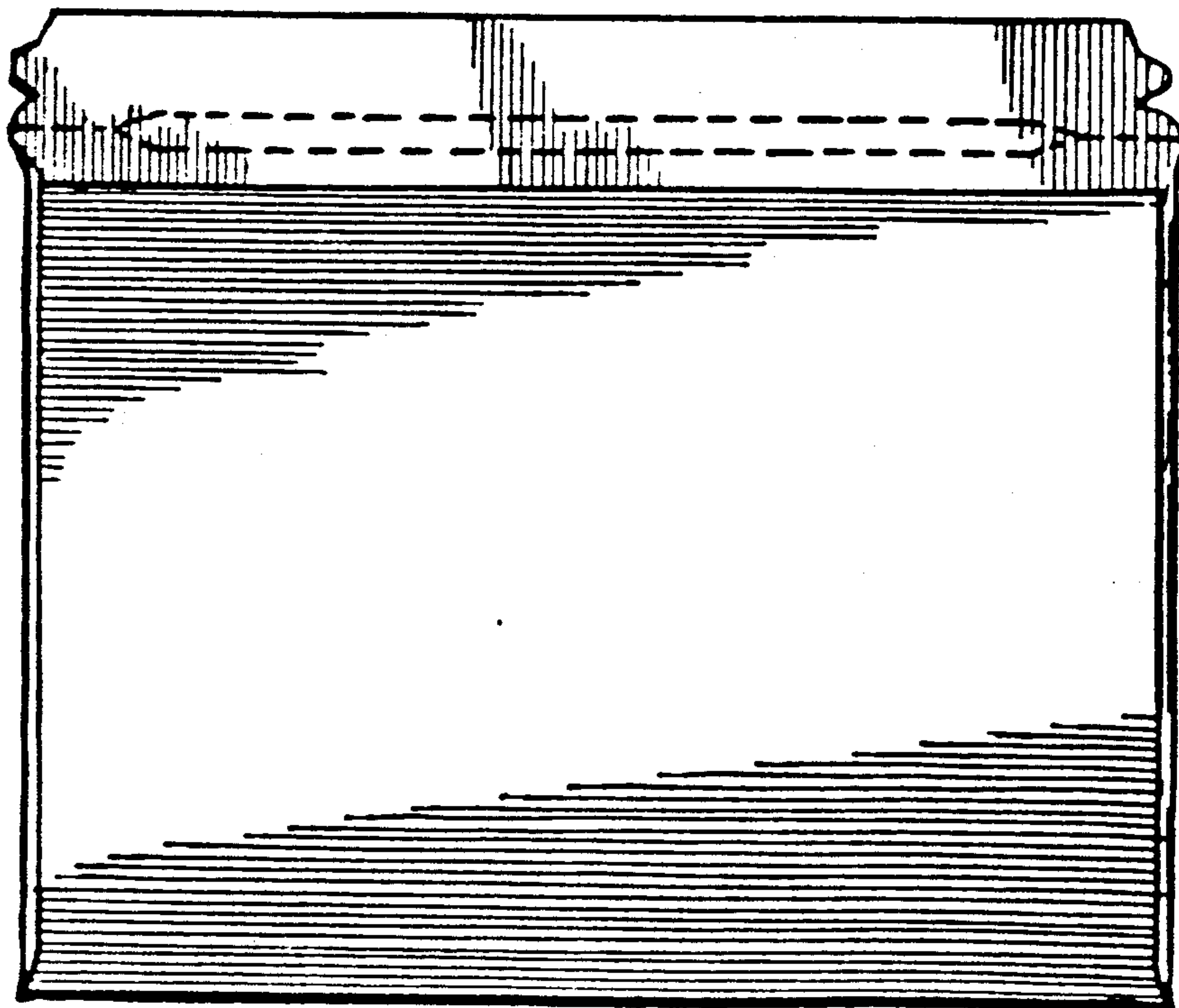


FIG 4.

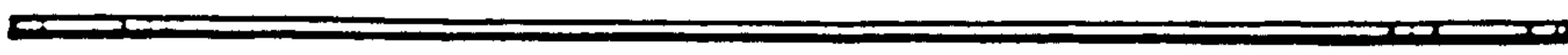


FIG. 6.

FIG. 5.

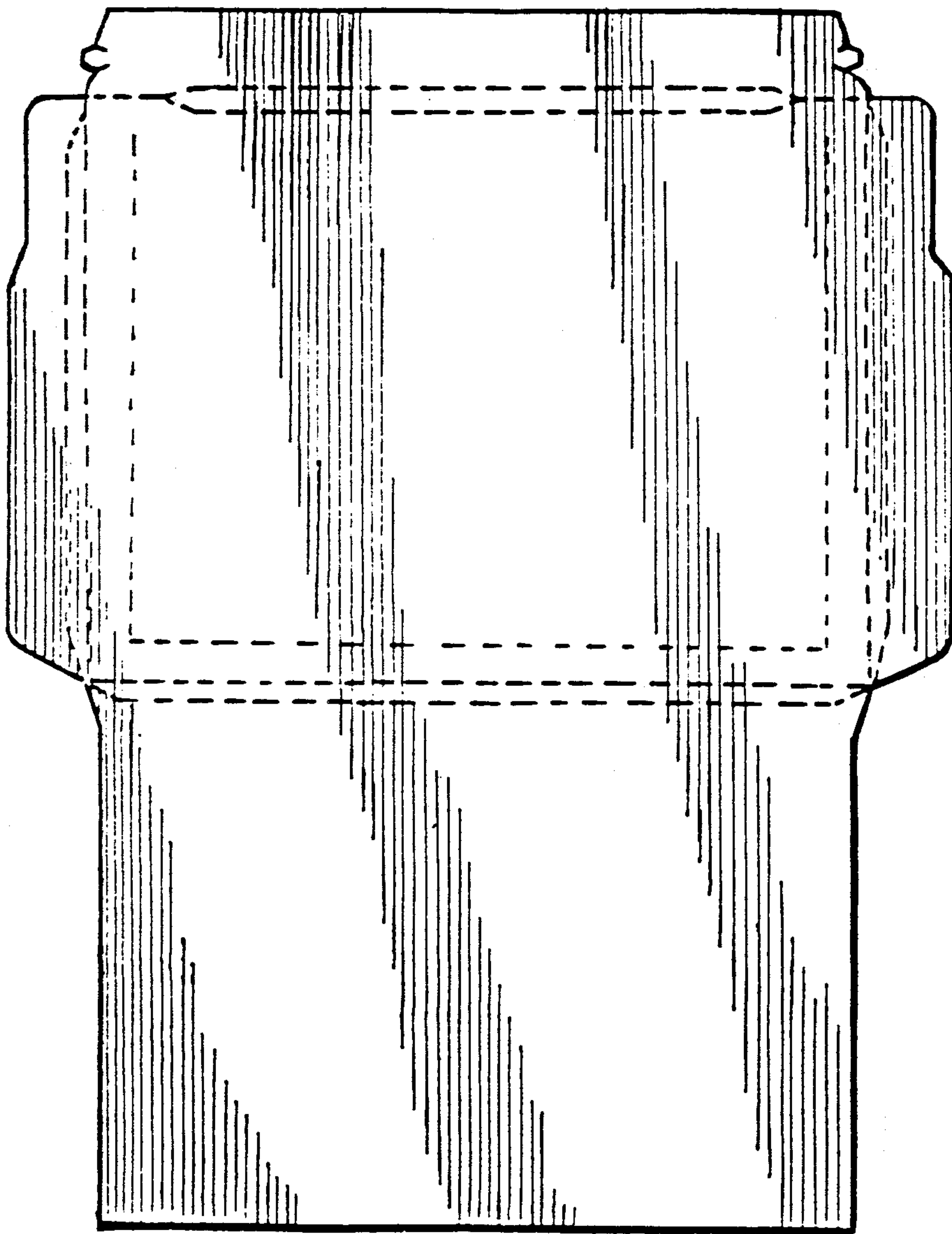


FIG. 7.



FIG. 8.

