

[54] PAPER ROLL HOLDER FOR A PRINTER
 [75] Inventor: Göran I. Holmberg, Boca Raton, Fla.
 [73] Assignee: Basics Corporation, Boca Raton, Fla.
 [**] Term: 14 Years
 [21] Appl. No.: 321,437
 [22] Filed: Mar. 9, 1989
 [52] U.S. Cl. D18/56; D6/522
 [58] Field of Search D18/2, 7, 12, 13, 22,
 D18/23, 99; 400/625, 629, 636, 639, 641, 646,
 647, 647.1, 636.2; D6/522; 242/55.2

3,333,671 8/1967 Rohde 400/646 X
 3,939,956 2/1976 Stamou D18/22 X
 4,341,480 7/1982 Mailer 400/647.1 X
 4,425,047 1/1984 Narushima 400/641 X
 4,553,710 11/1985 Pool 242/55.2
 4,630,950 12/1986 Chu et al. 400/641 X

Primary Examiner—Wallace R. Burke
 Assistant Examiner—Freda S. Nunn
 Attorney, Agent, or Firm—Sughrue, Mion, Zinn,
 Macpeak & Seas

[56] References Cited

U.S. PATENT DOCUMENTS

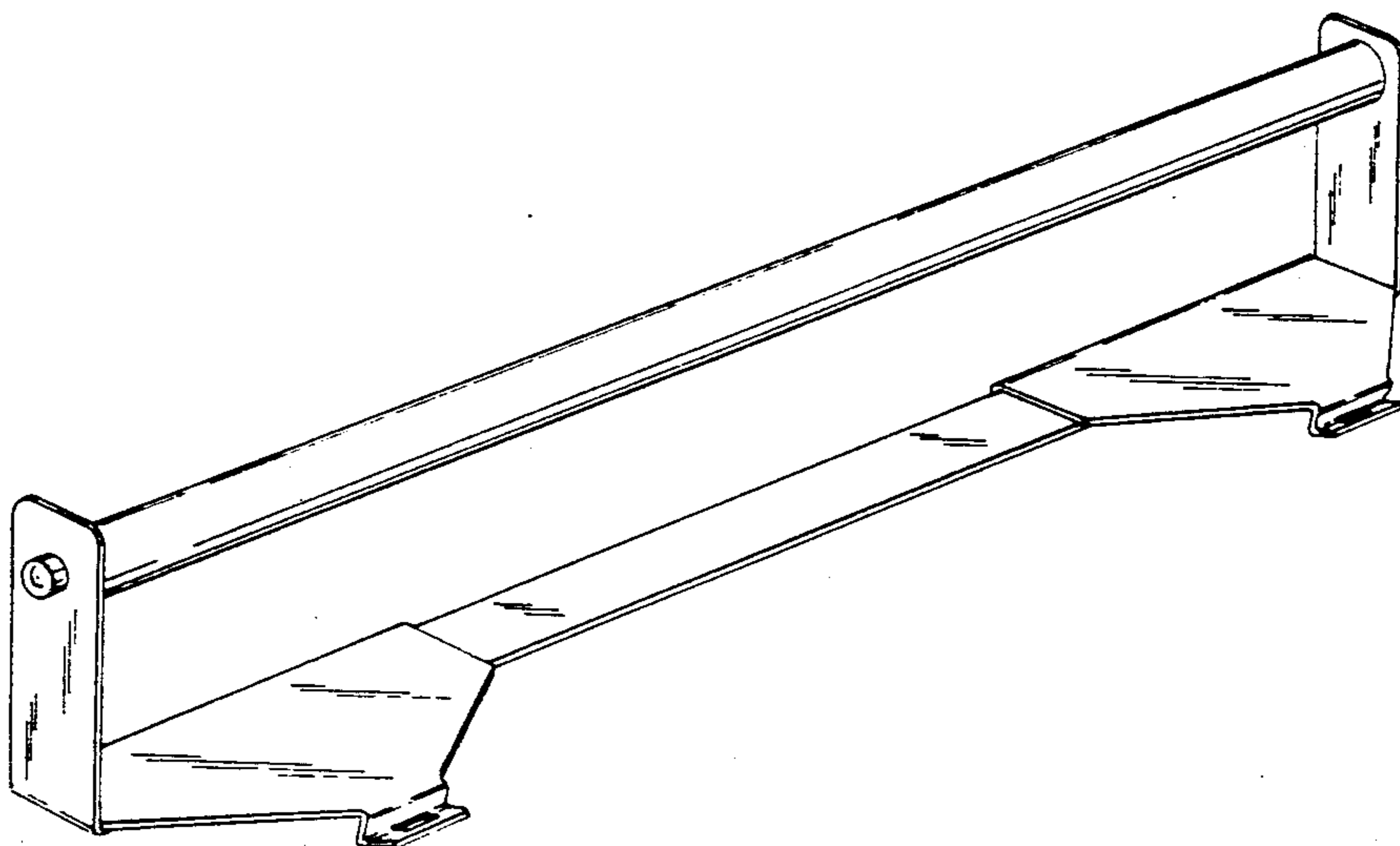
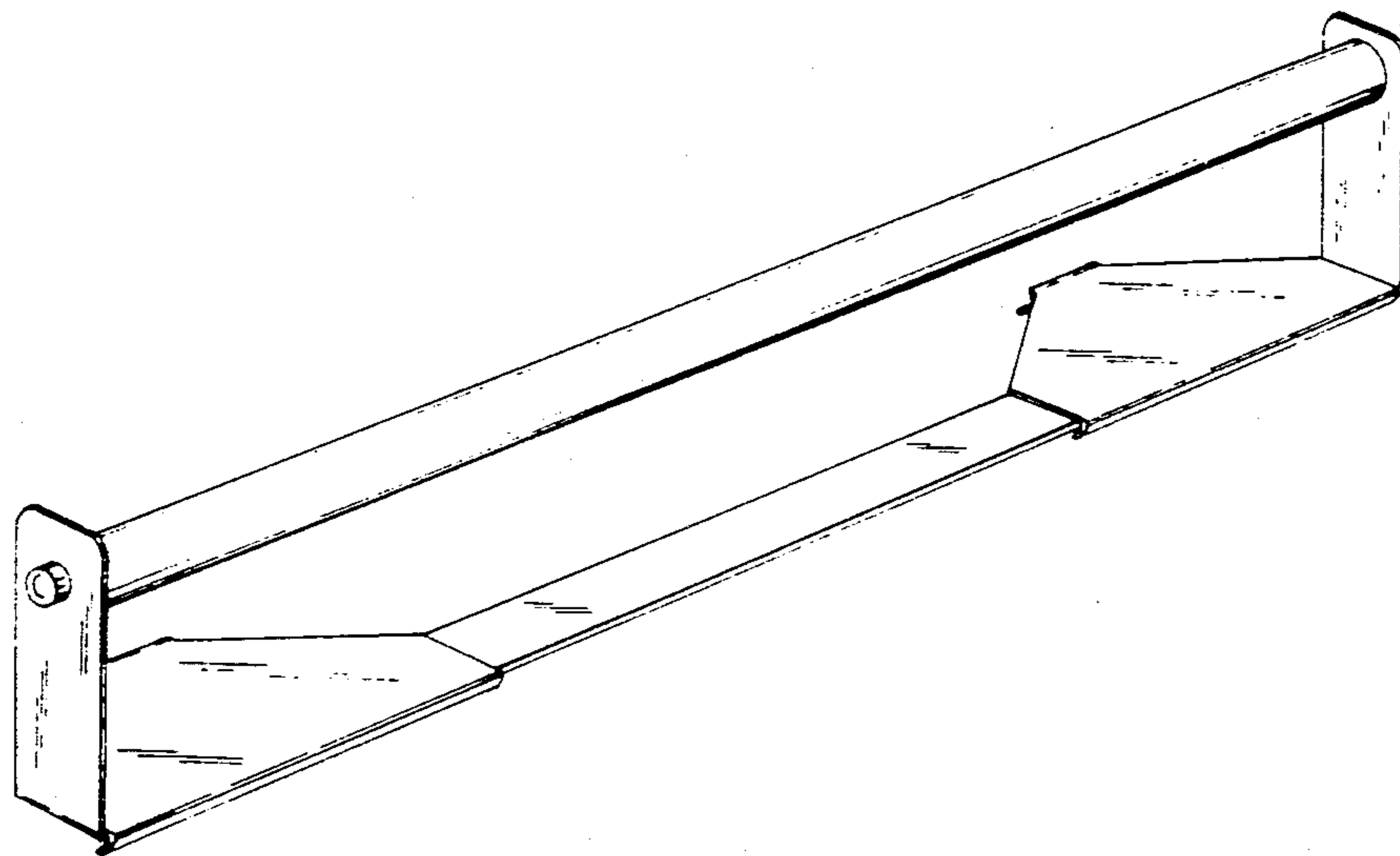
D. 159,783 8/1950 Carver D18/22
 D. 163,232 5/1951 Taylor D18/99
 D. 249,586 9/1978 Varadi D18/13
 D. 264,406 5/1982 Arnott D6/522
 D. 294,835 3/1988 Nagahiro D18/22
 D. 404,103 5/1989 Northrop 400/636.2 X
 1,175,929 3/1916 Clark 400/641 X

[57] CLAIM

The ornamental design for a paper roll holder for a printer, as shown and described.

DESCRIPTION

FIG. 1 is a top rear side perspective view of a paper roll holder for a printer showing my new design;
 FIG. 2 is a side elevational view thereof, the opposite side being a mirror image;
 FIG. 3 is a top front opposite side perspective view thereof.
 The bottom is substantially flat and unornamented.



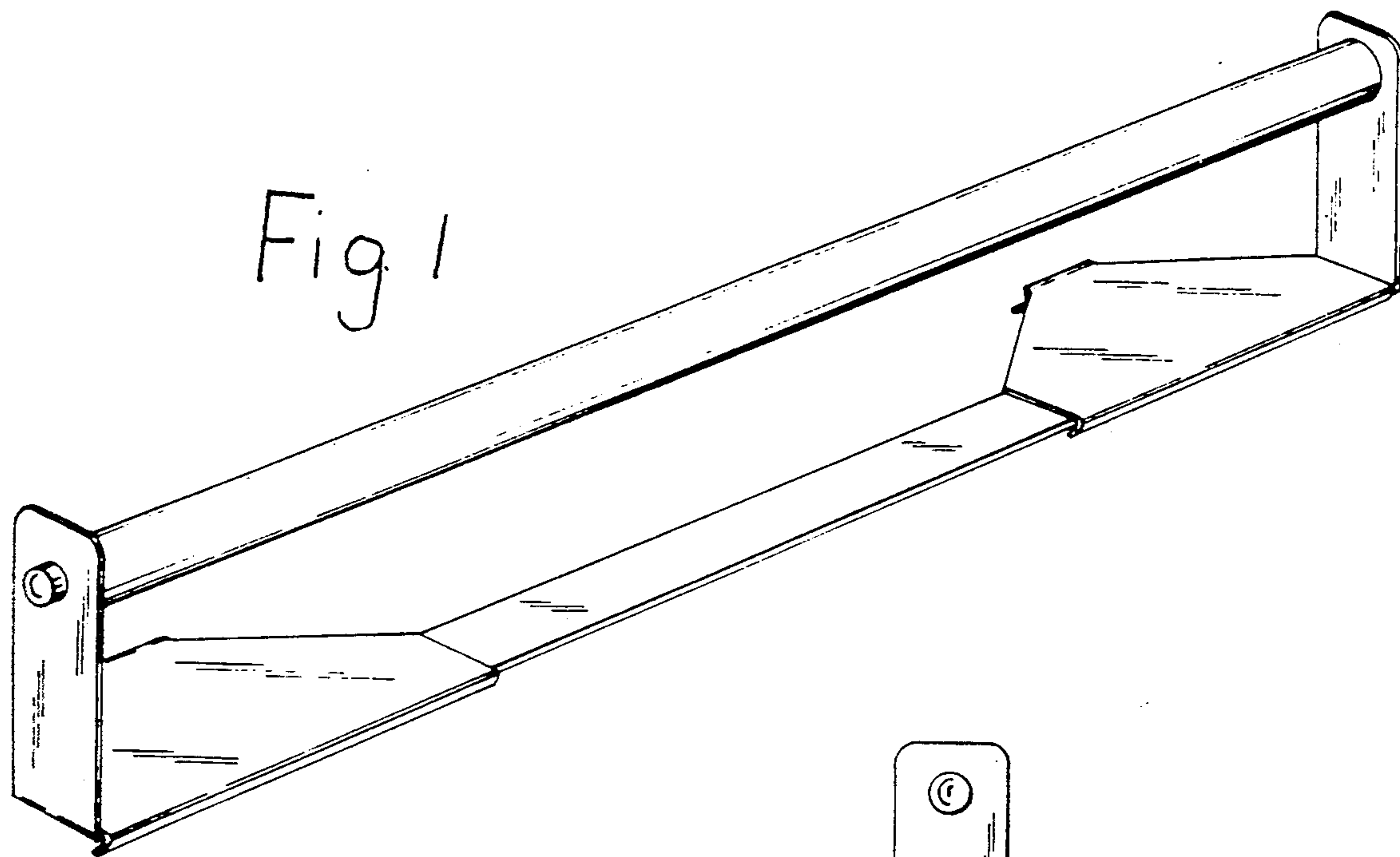


Fig 1

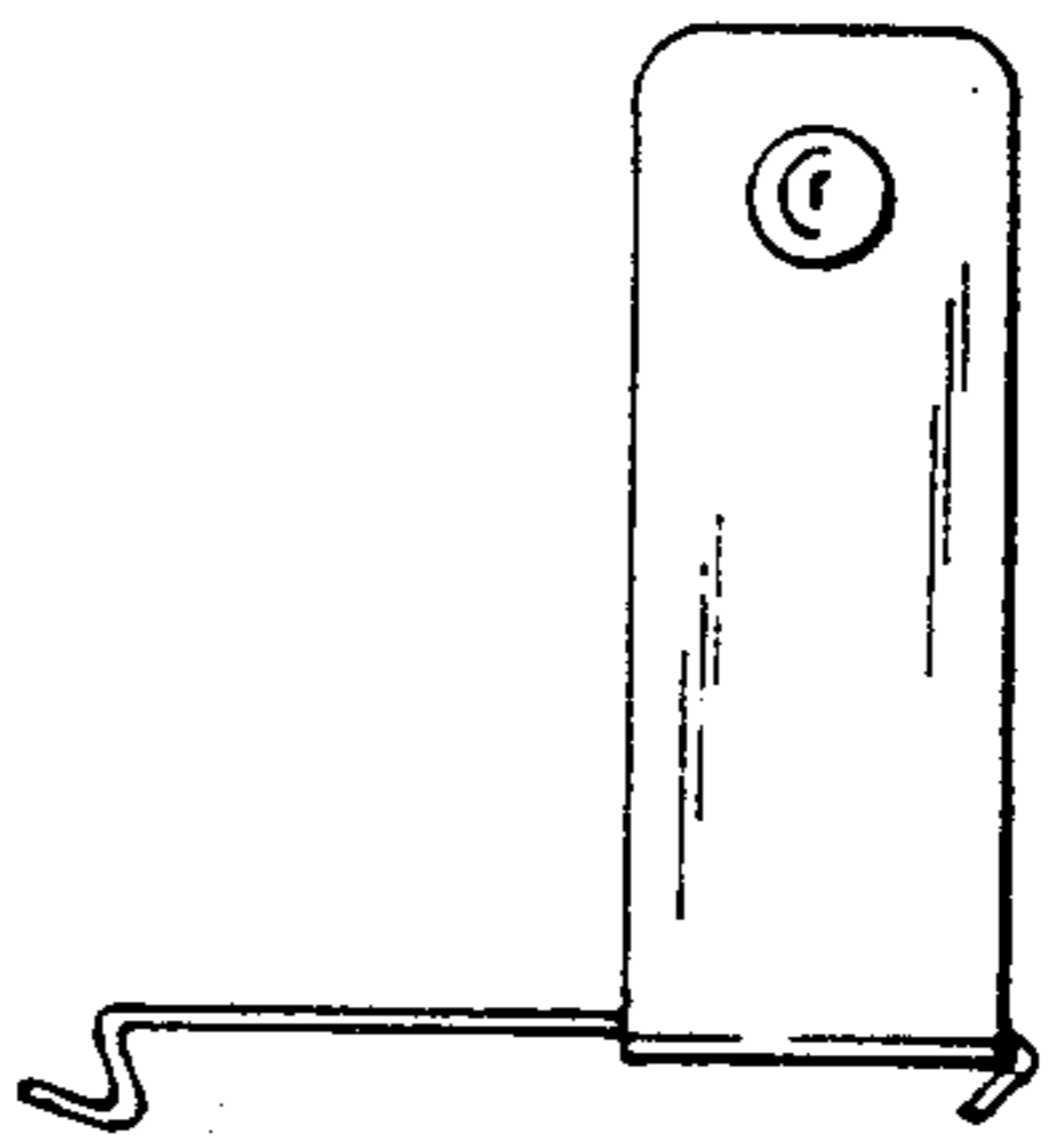


Fig 2

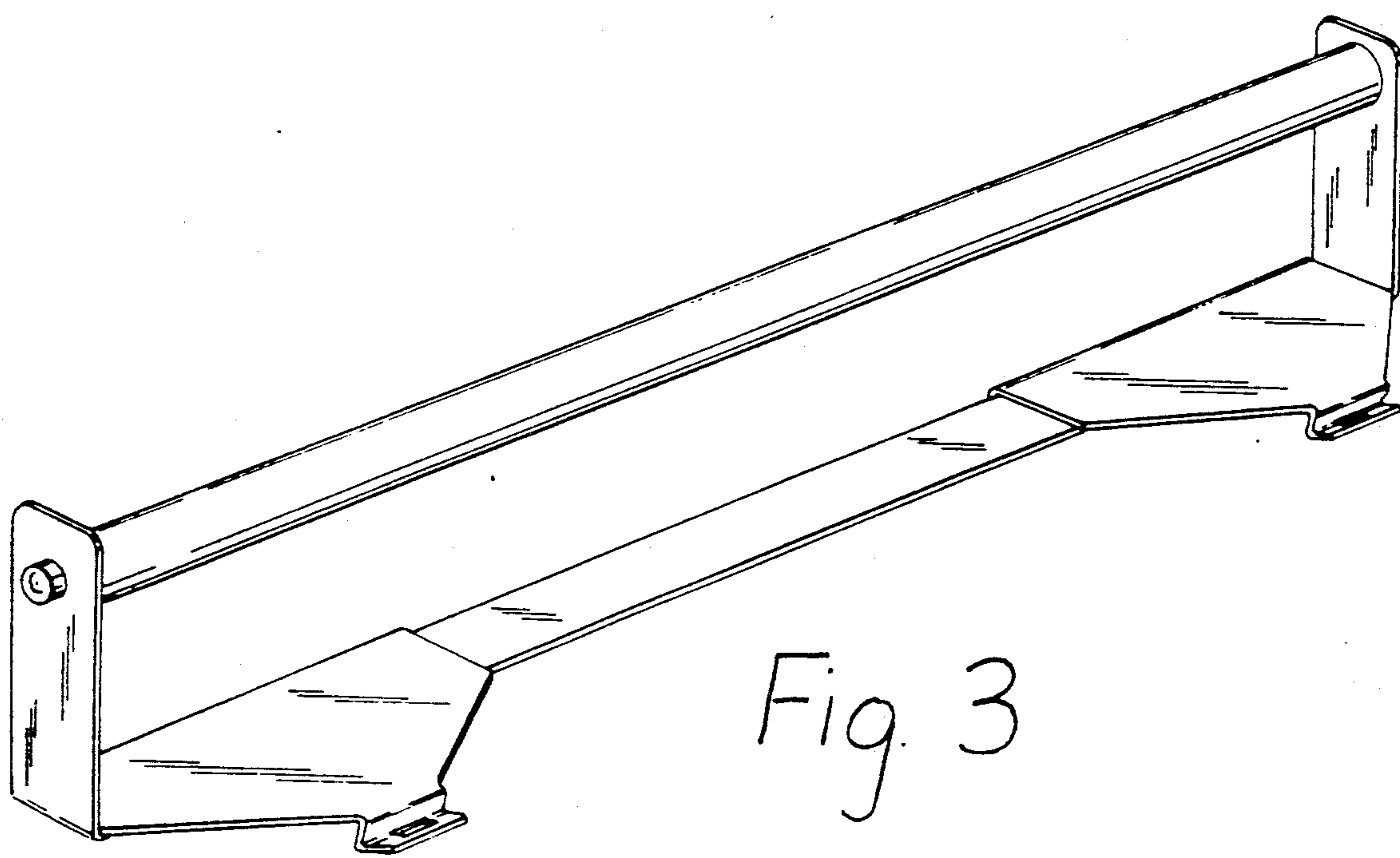


Fig 3