

[54] CABINET FOR AN INKJETPRINTER

[75] Inventor: Wolfram J. P. Peters, Leiden,
Netherlands

[73] Assignee: Stork X-Cel B.V., Boxmeer,
Netherlands

[**] Term: 14 Years

[21] Appl. No.: 229,481

[22] Filed: Aug. 8, 1988

[30] Foreign Application Priority Data

Mar. 17, 1988 [IB] Int'l Pat. Institute DM/010532

[52] U.S. Cl. D18/59

[58] Field of Search D18/13, 36, 23;
D14/100, 107, 111, 118, 102; 101/420, 130;
400/126, 613, 691-694, 613.1-613.4; 364/708

[56] References Cited

U.S. PATENT DOCUMENTS

- D. 197,998 4/1964 Van Acker D18/23
D. 207,362 4/1967 Ewwart D18/13
D. 236,547 8/1975 Clayton D14/111

- D. 250,950 1/1979 Knodt et al. D14/102
D. 258,131 2/1981 Genaro et al D14/111
D. 260,517 9/1981 Hardy D14/111
D. 280,513 9/1985 Fischer et al. D14/111
D. 283,321 4/1986 Bixler et al. D14/111
D. 286,051 10/1986 Nakano et al. D14/111
D. 291,313 8/1987 Clark et al. D14/111
D. 293,686 1/1988 Sutou et al. D18/13

Primary Examiner—A. Hugo Word
Assistant Examiner—CathyAnne MacCormac
Attorney, Agent, or Firm—Hill, Van Santen, Steadman &
Simpson

[57] CLAIM

The ornamental design for a cabinet for an inkjetprinter,
as shown.

DESCRIPTION

FIG. 1 is a top, front and right side perspective view of
a cabinet for an inkjetprinter showing my new design;
FIG. 2 is a right side elevational view thereof;
FIG. 3 is a front elevational view thereof;
FIG. 4 is a rear elevational view thereof; and
FIG. 5 is a top plan view thereof.

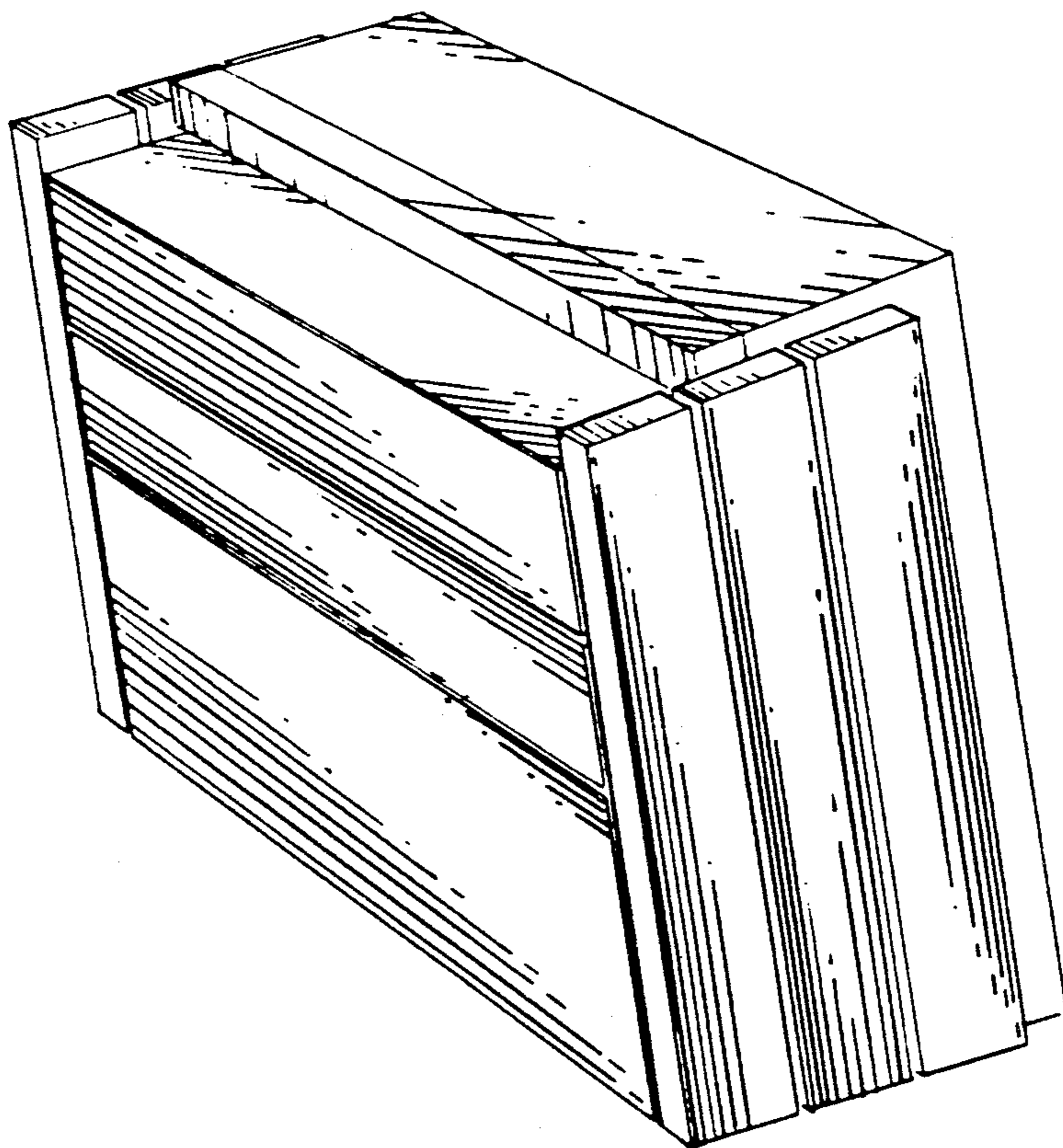


FIG.1

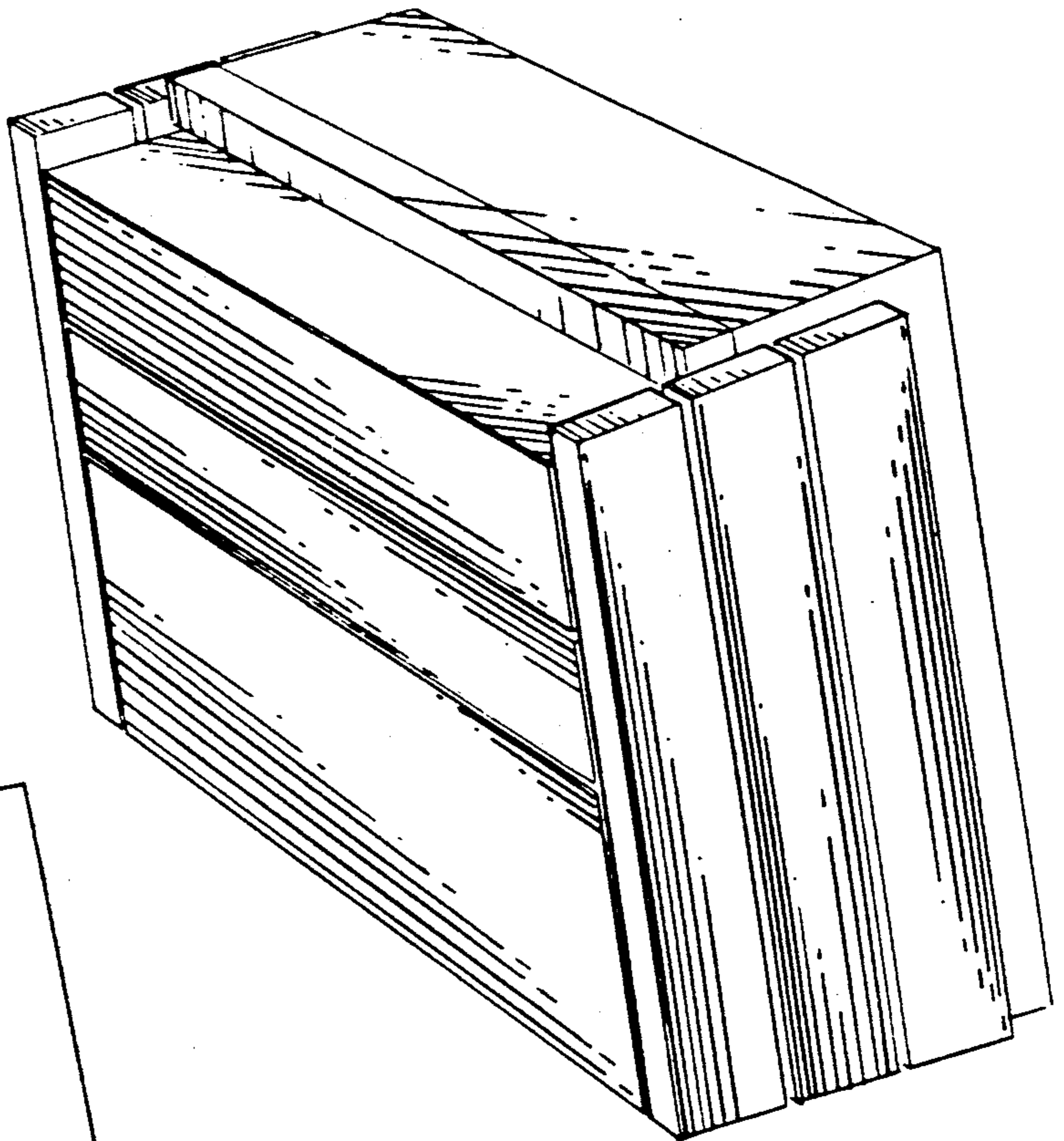


FIG.2

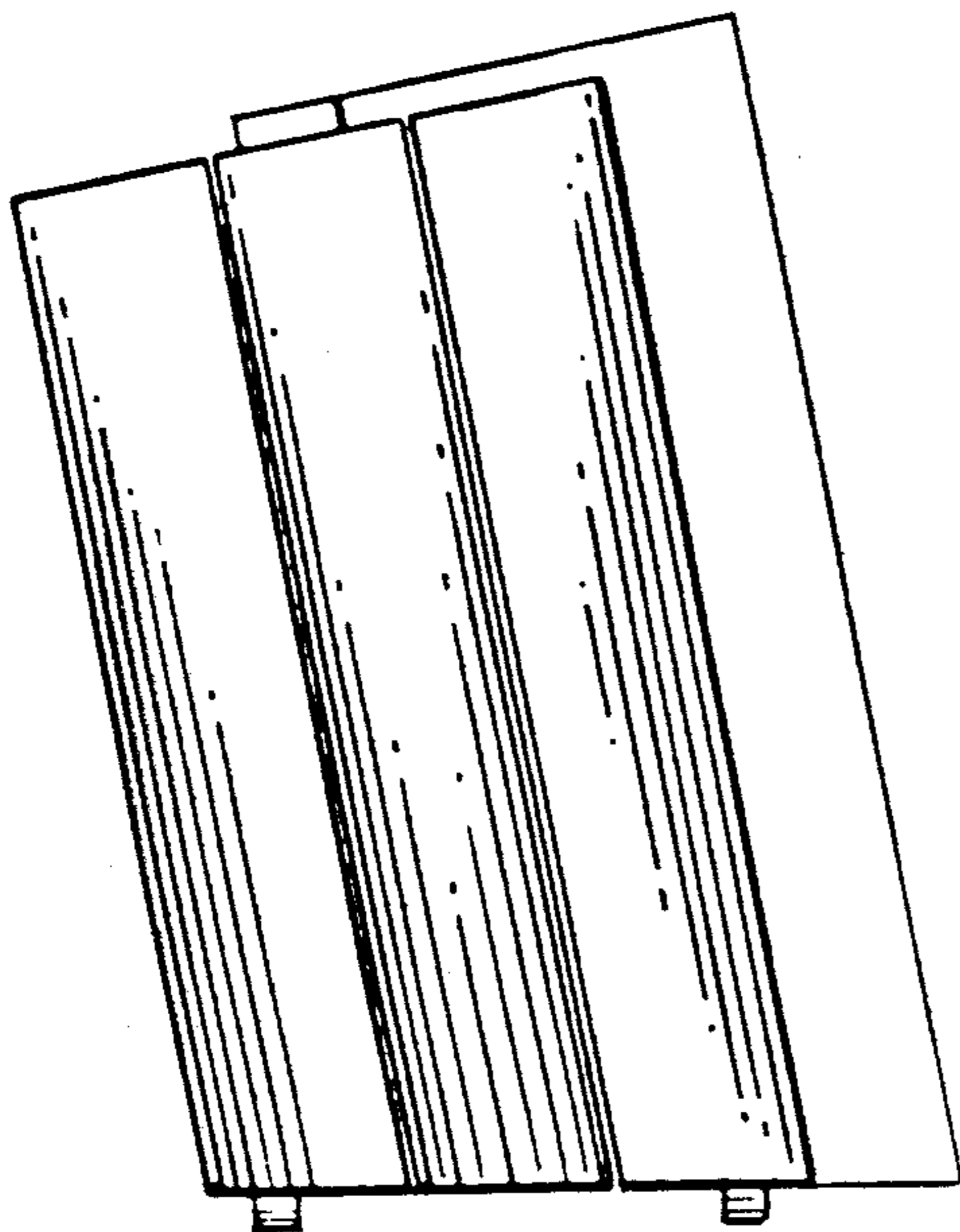
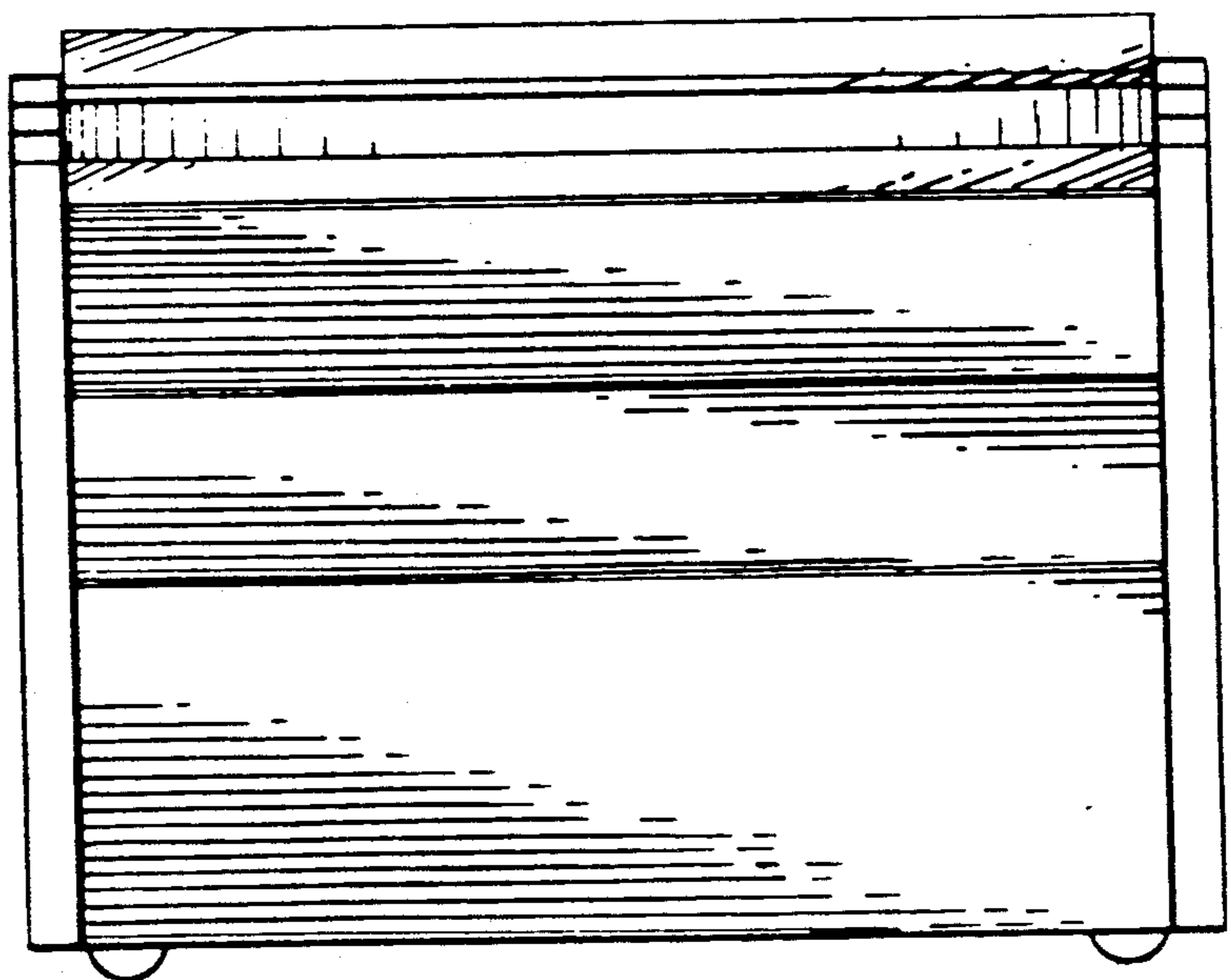


FIG.3



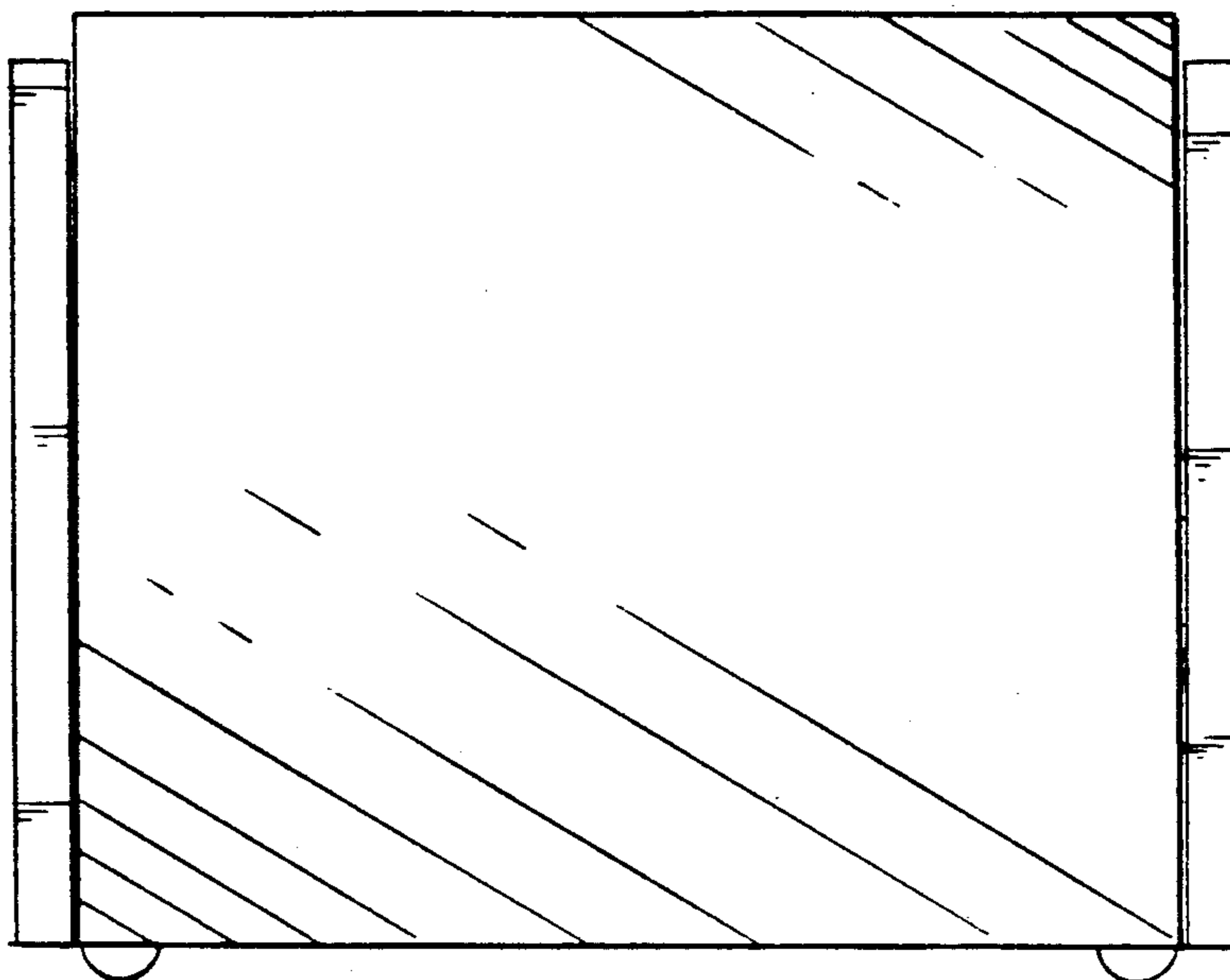


FIG. 4

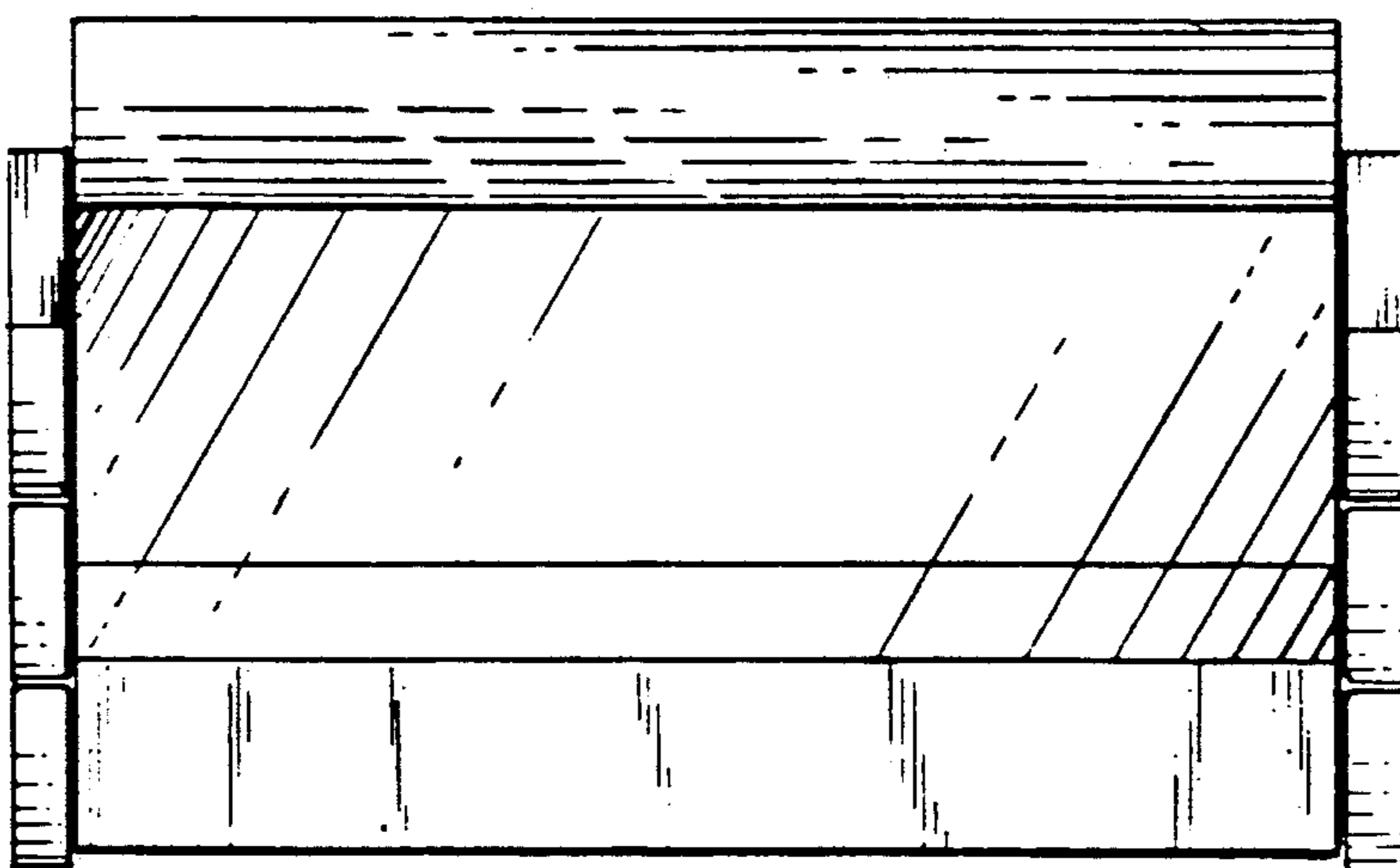


FIG. 5