

[54] RIDING LAWN MOWER TRACTOR

D. 248,655 7/1978 Klein D15/15

[75] Inventors: Darrell W. Hinklin, Excelsior;
Donald M. White, III, Chanhassen,
both of Minn.

[73] Assignee: The Toro Company, Minneapolis,
Minn.

[**] Term: 14 Years

[21] Appl. No.: 380,222

[22] Filed: Jul. 14, 1989

[52] U.S. Cl. D15/15

[58] Field of Search D15/14-16,
D15/22, 23, 26; 56/13.4, 16.7, 202, 320.1,
320.2; 180/89.1, 89.12, 900

[56] References Cited

U.S. PATENT DOCUMENTS

D. 213.124	1/1969	Koeber et al.	D15/15
D. 218.768	9/1970	Schreckengost	D15/15
D. 221.881	9/1971	Mead	D15/15
D. 226.620	4/1973	Fernandez et al.	D15/15
D. 227.392	6/1973	Skyer	D15/15
D. 243.270	2/1977	Ehrlin et al.	D15/15

OTHER PUBLICATIONS

Graingers Wholesale Net Price Motorbook, No. 338,
Spring 1974, p. 307, Mower, lower left (3Z460).
Toro Lawn Care Cat., 7/1988, p. 13, Tractor, lower
right.

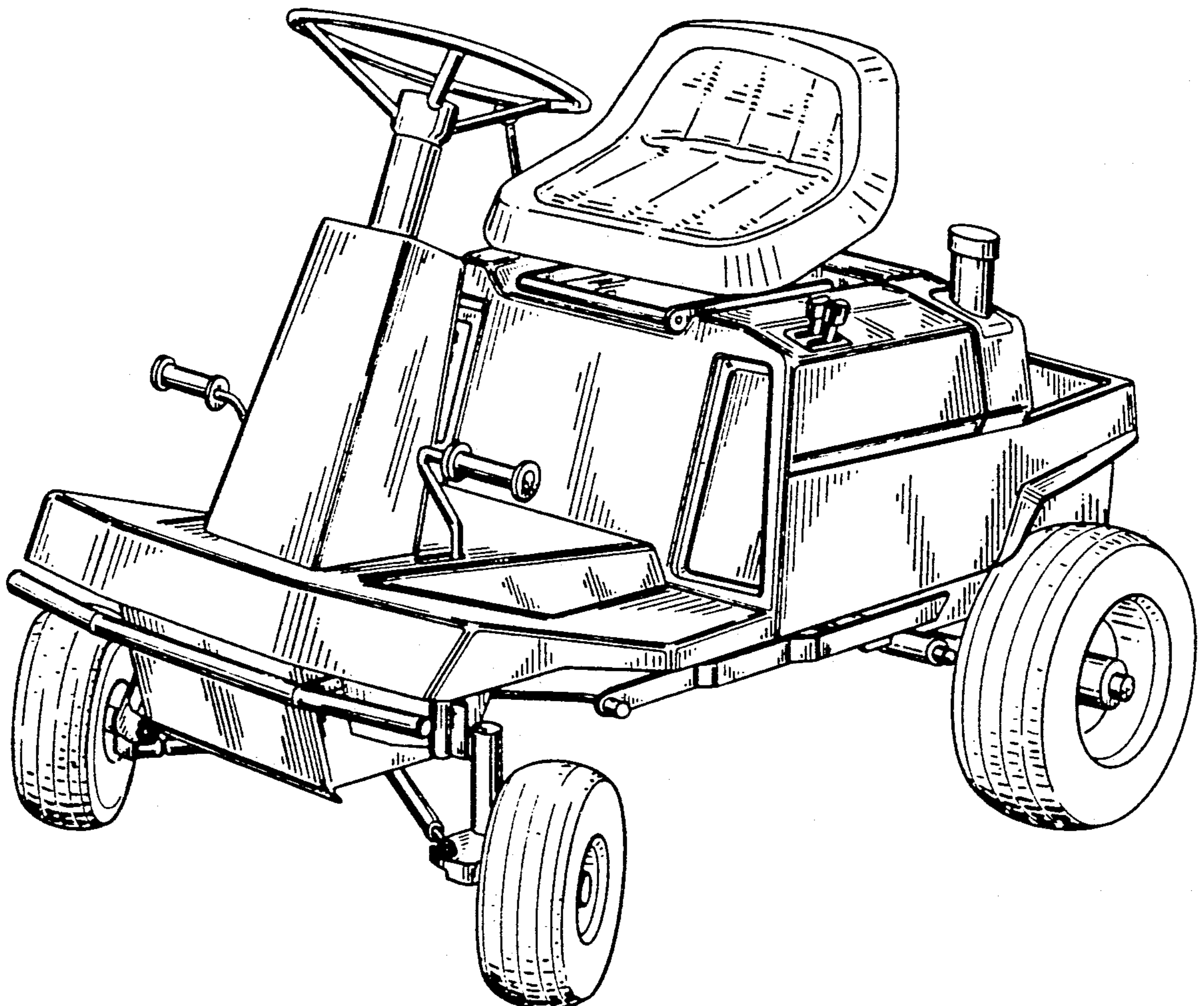
Primary Examiner—Bernard Ansher
Assistant Examiner—Sandra Morris
Attorney, Agent, or Firm—James W. Miller

[57] CLAIM

The ornamental design for a riding lawn mower trac-
tor, as shown and described.

DESCRIPTION

FIG. 1 is a perspective view of a riding lawn mower tractor, showing our new design;
FIG. 2 is a right side elevational view thereof, the motor shown in broken lines is for illustrative purposes only, and forms no part of the claimed design;
FIG. 3 is a left side elevational view thereof;
FIG. 4 is a front elevational view thereof;
FIG. 5 is a rear elevational view thereof; and
FIG. 6 is a top plan view thereof.



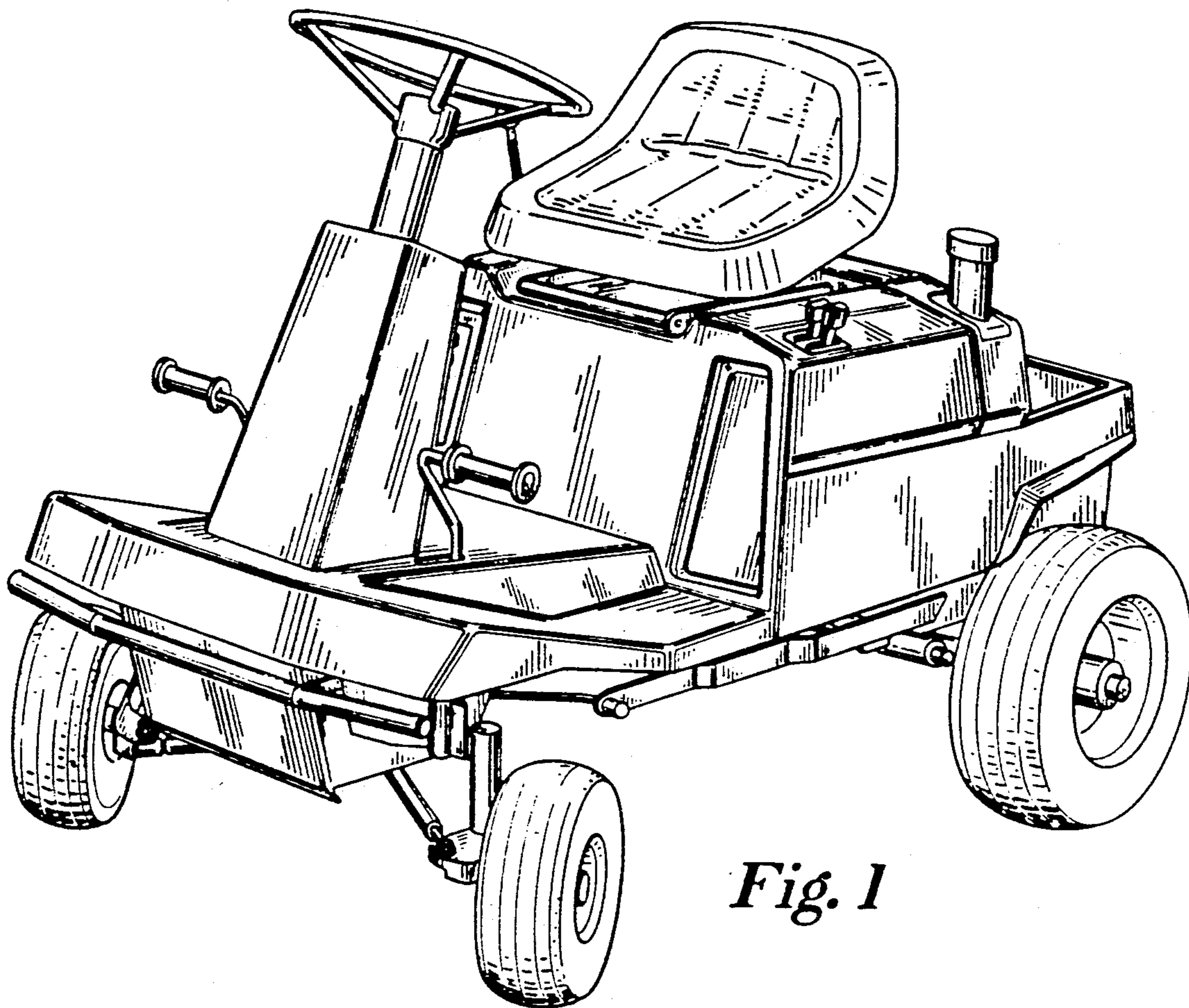


Fig. 1

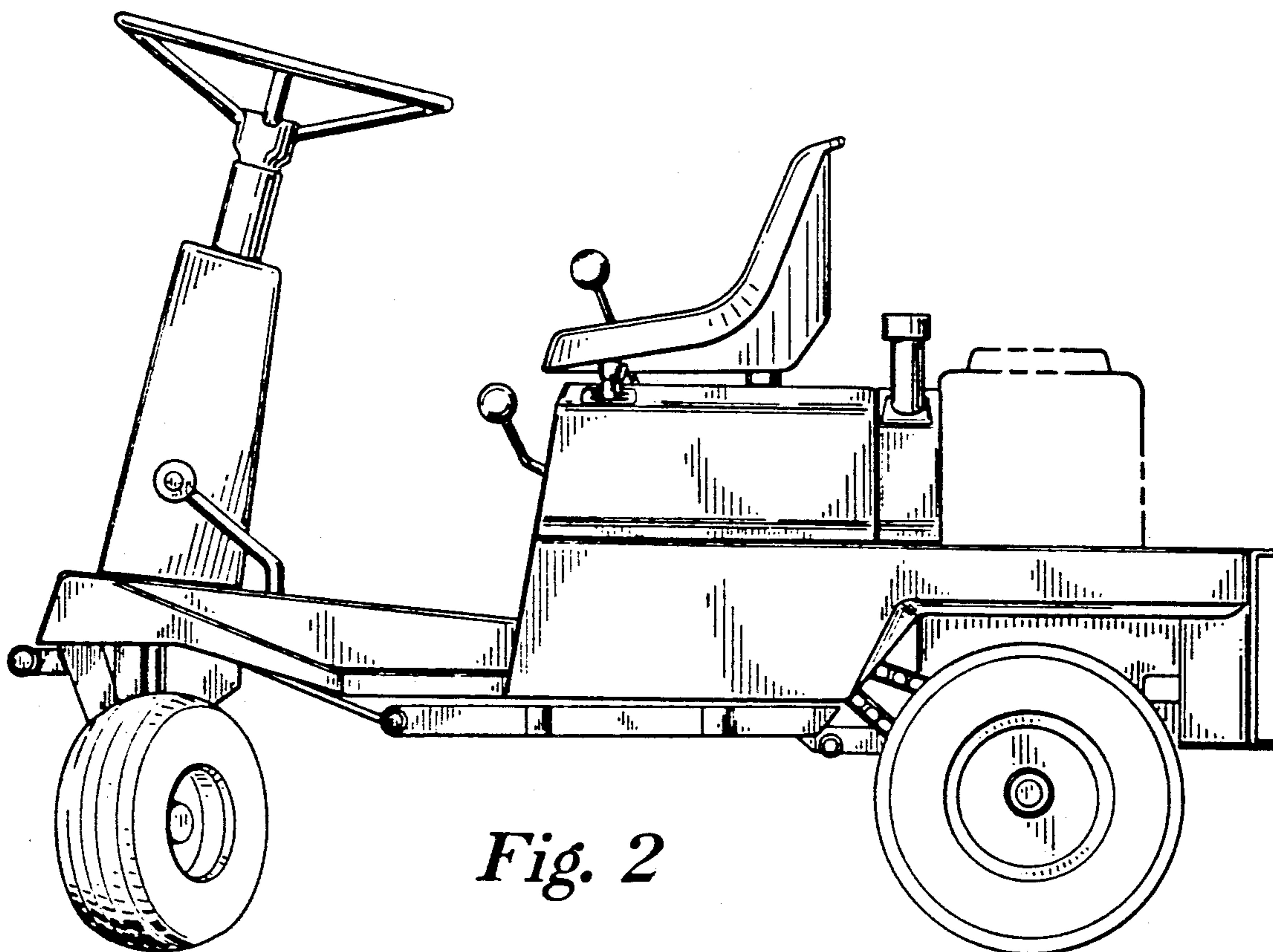


Fig. 2

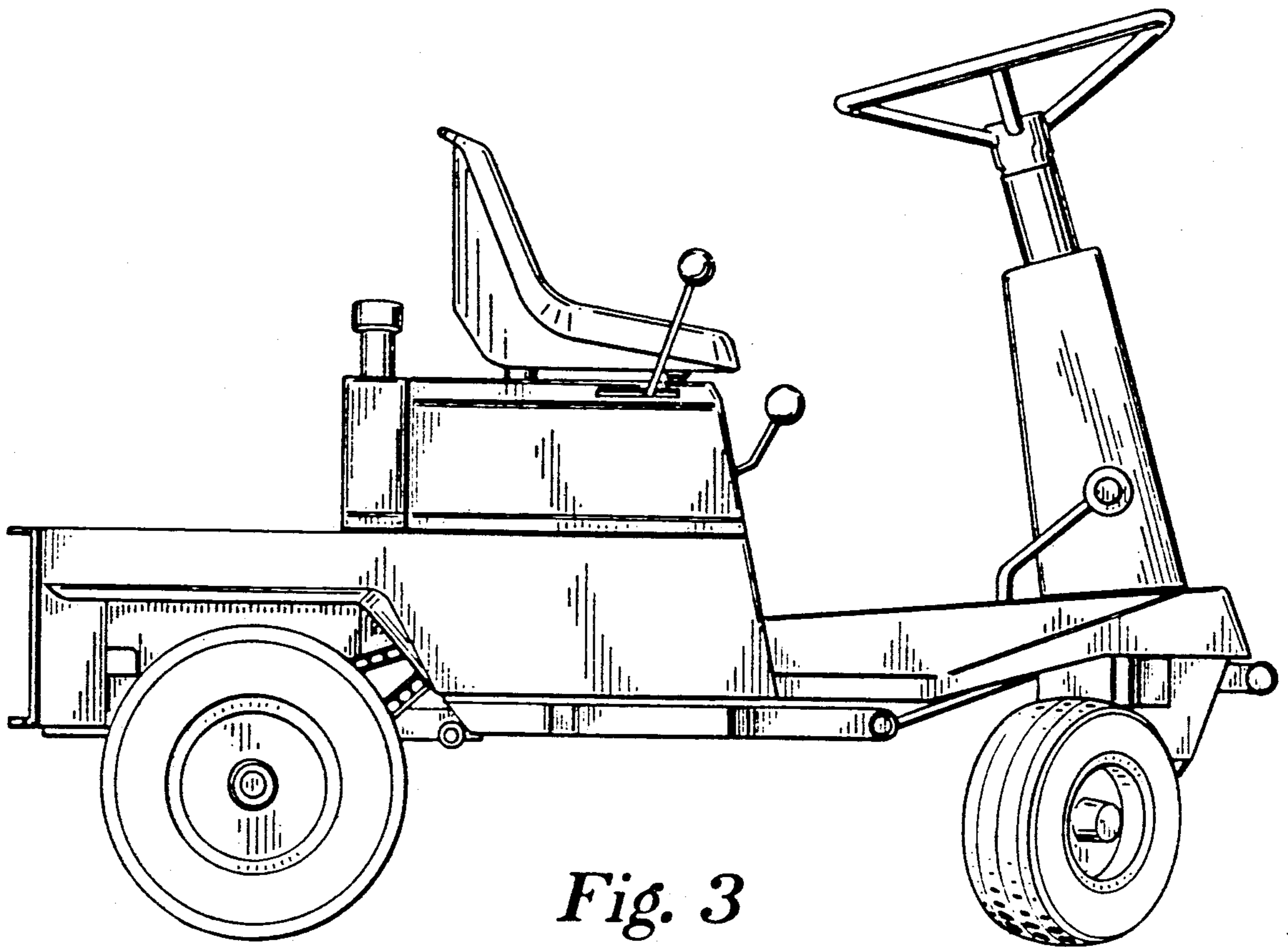


Fig. 3

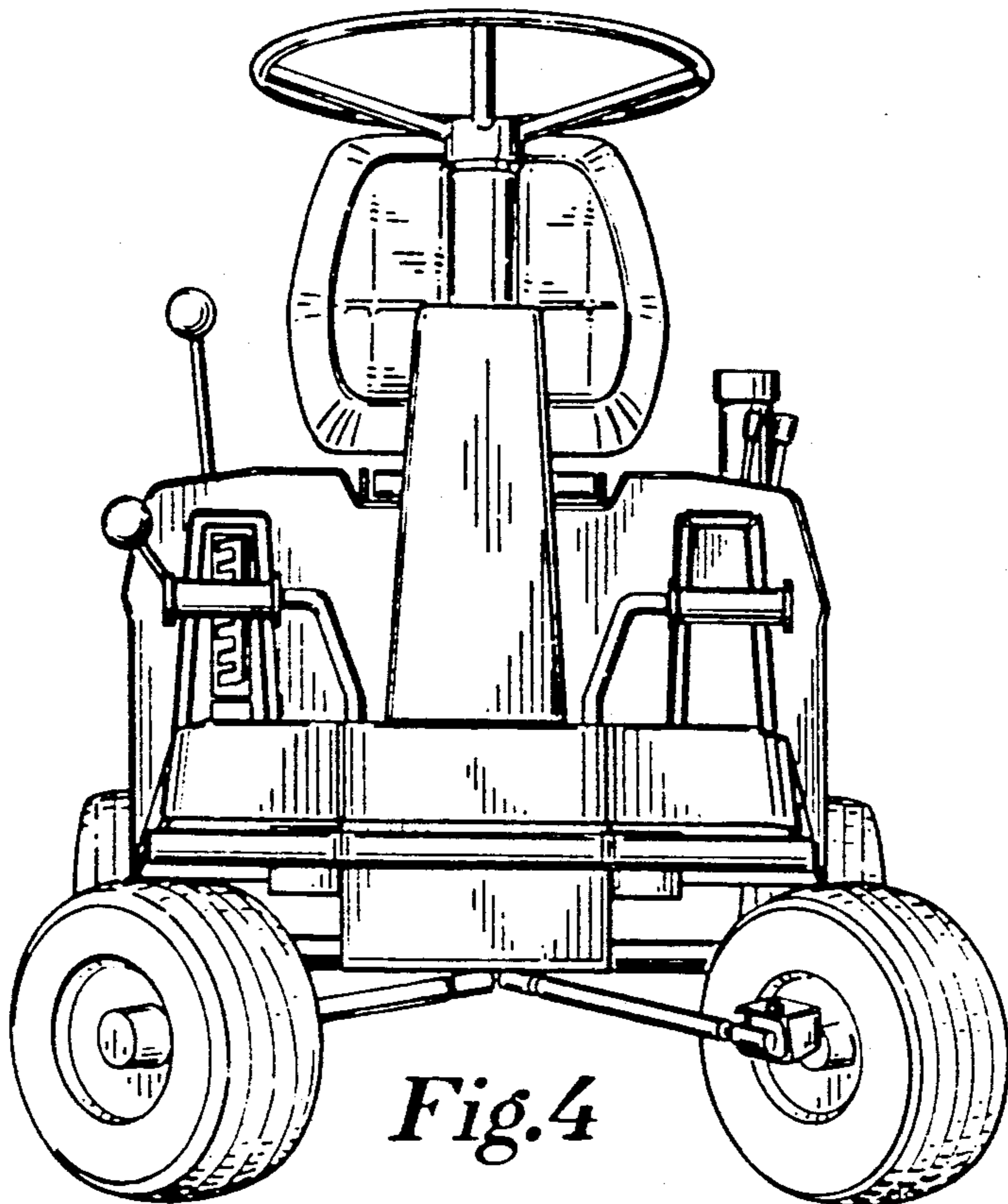


Fig. 4

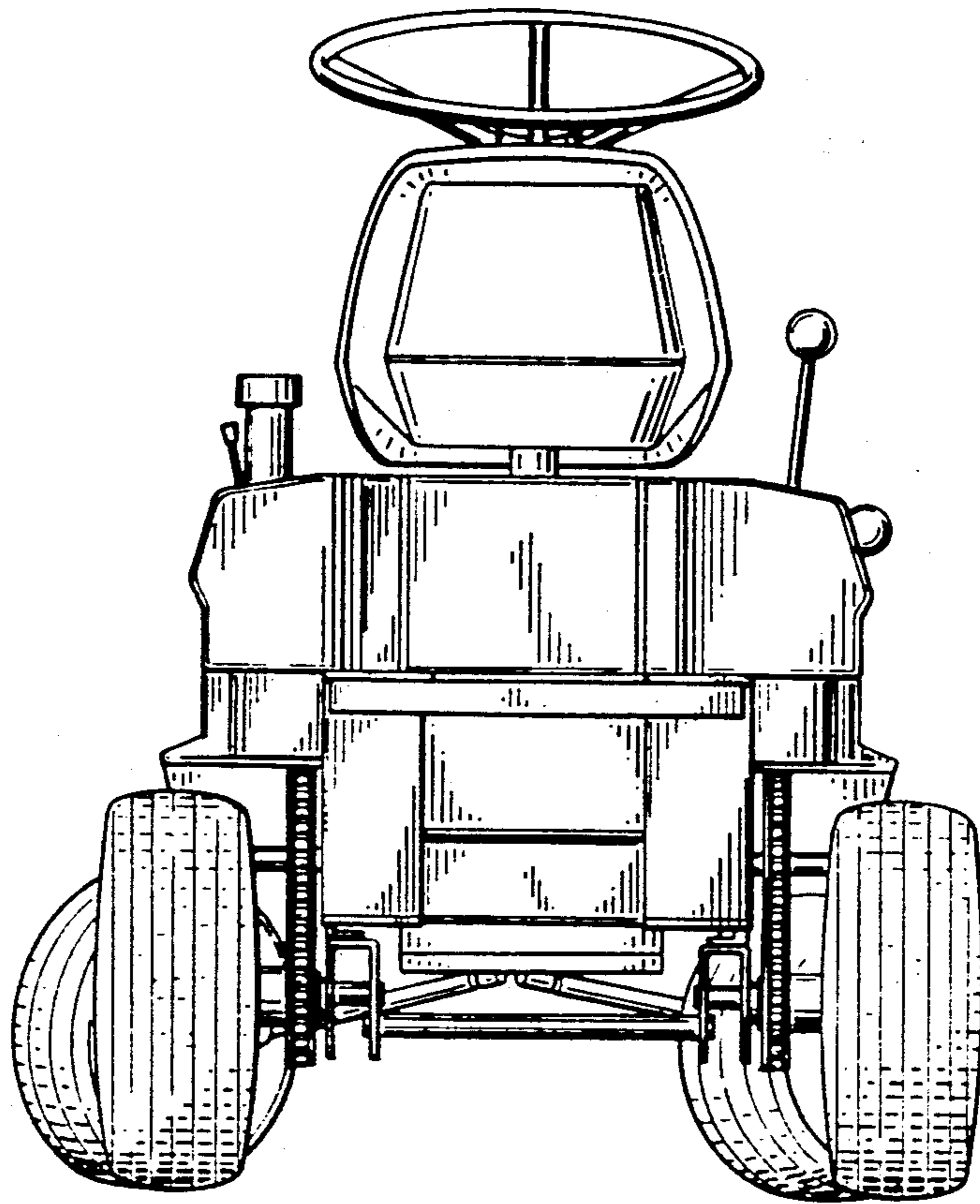


Fig. 5

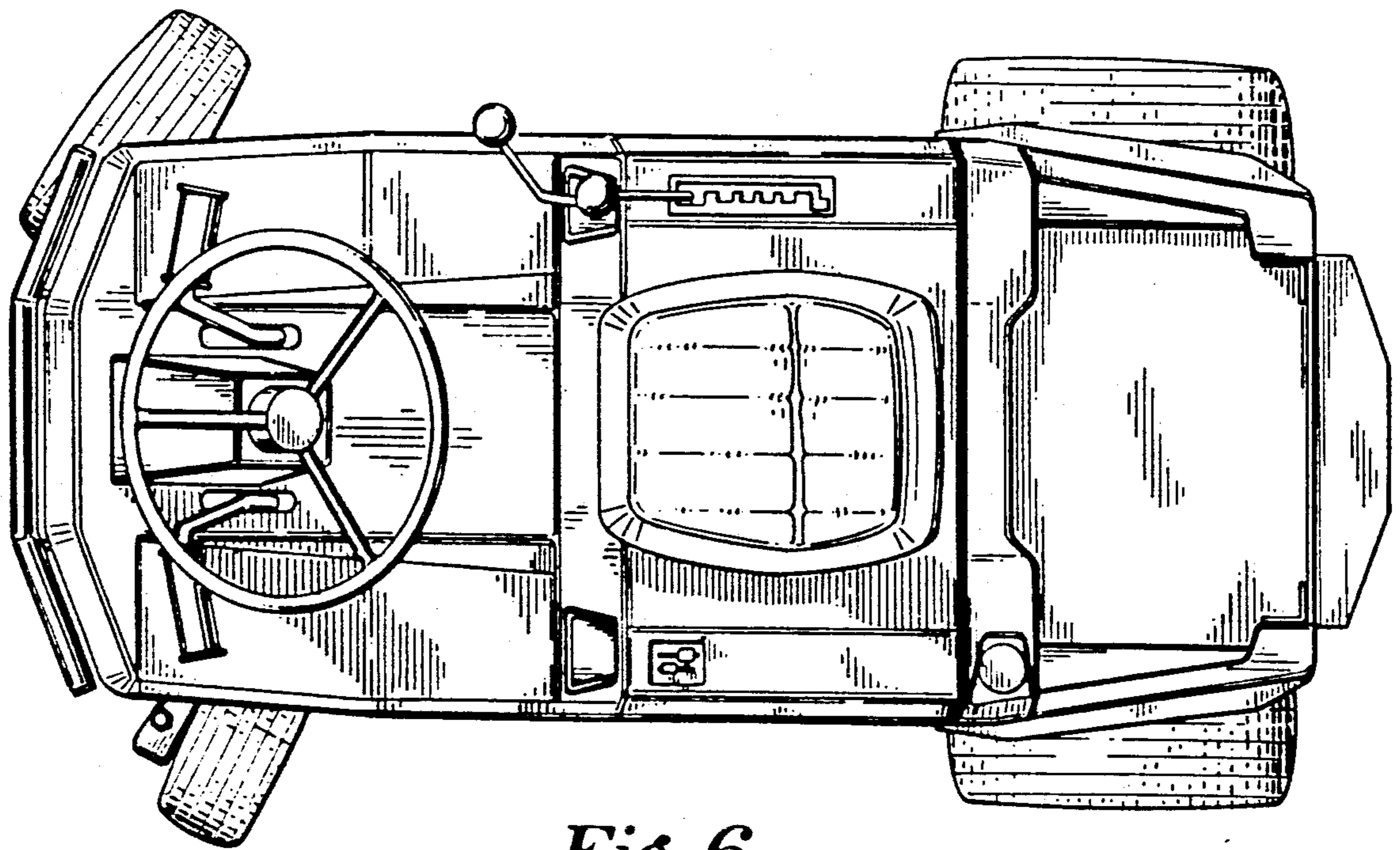


Fig. 6