

[54] **TELEPHONE HANDSET DISPENSER**

[75] **Inventor: Richard E. Skowronski, Elk Grove Village, Ill.**

[73] **Assignee: GTE Airfone Incorporated, Oakbrook, Ill.**

[\*\*] **Term: 14 Years**

[21] **Appl. No.: 624,901**

[22] **Filed: Nov. 28, 1990**

[52] **U.S. Cl. .... D14/151; D14/138; D14/148; D14/142; D14/248**

[58] **Field of Search ..... D14/151, 144, 141, 142, D14/153, 140; 379/454, 335, 433, 436**

[56] **References Cited**

**U.S. PATENT DOCUMENTS**

D. 198,164	5/1964	Dreyfuss	.....	D14/153 X
D. 207,847	6/1967	Darling	.....	D14/141
D. 211,645	7/1968	Perkins	.....	D14/153
D. 218,756	9/1970	Federico	.....	D14/141
D. 238,374	1/1976	Davis et al.	.....	D14/142
D. 256,582	8/1980	Owens	.....	D14/144
D. 256,919	9/1980	White	.....	D14/140
D. 259,420	6/1981	Genaro	.....	D14/144 X

D. 282,735	2/1986	Tizzard	.....	D14/143
4,232,196	11/1980	Filippi	.....	379/435
4,588,866	5/1986	Monti	.....	379/454

*Primary Examiner—Horace B. Fay, Jr.*

[57] **CLAIM**

The ornamental design of telephone handset dispenser, as shown.

**DESCRIPTION**

FIG. 1 is a front perspective view of a telephone handset and a telephone handset dispenser in accordance with the invention.

FIG. 2 is a rear perspective view of the telephone handset dispenser.

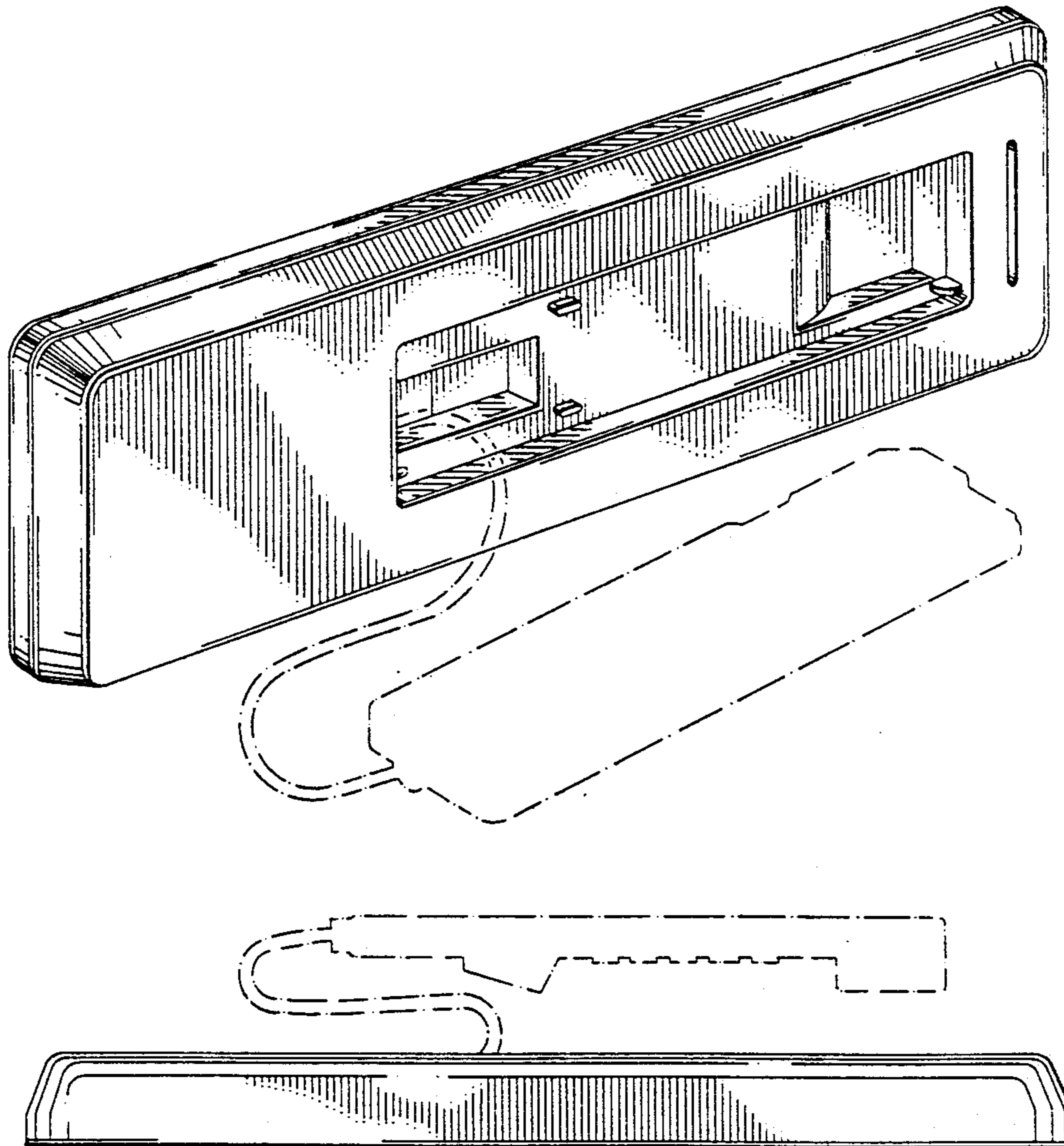
FIG. 3 is a first orthogonal side view of the telephone handset and the telephone handset dispenser.

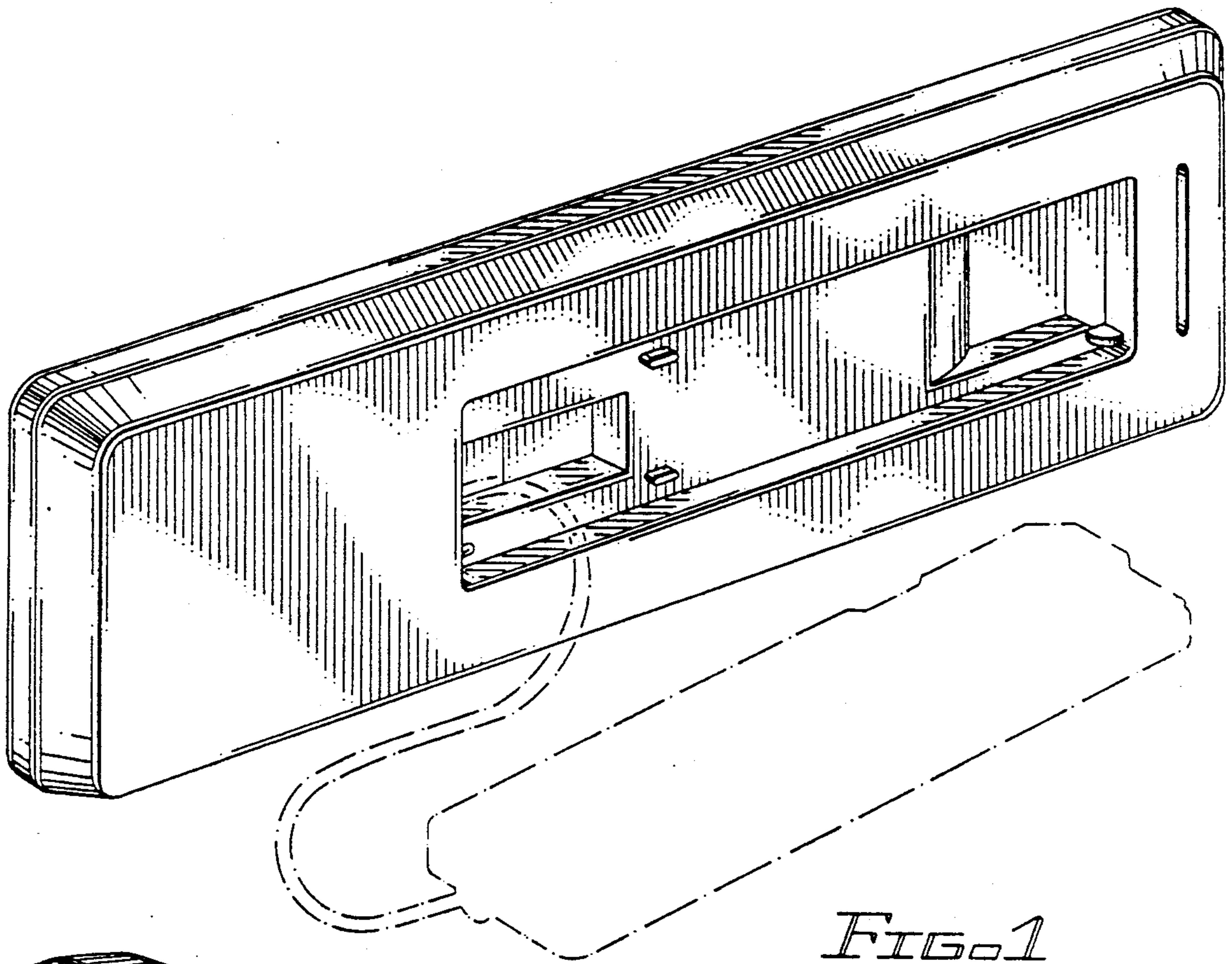
FIG. 4 is a second orthogonal side view of the telephone handset dispenser.

FIG. 5 is a first orthogonal end view of the telephone handset and the telephone handset dispenser.

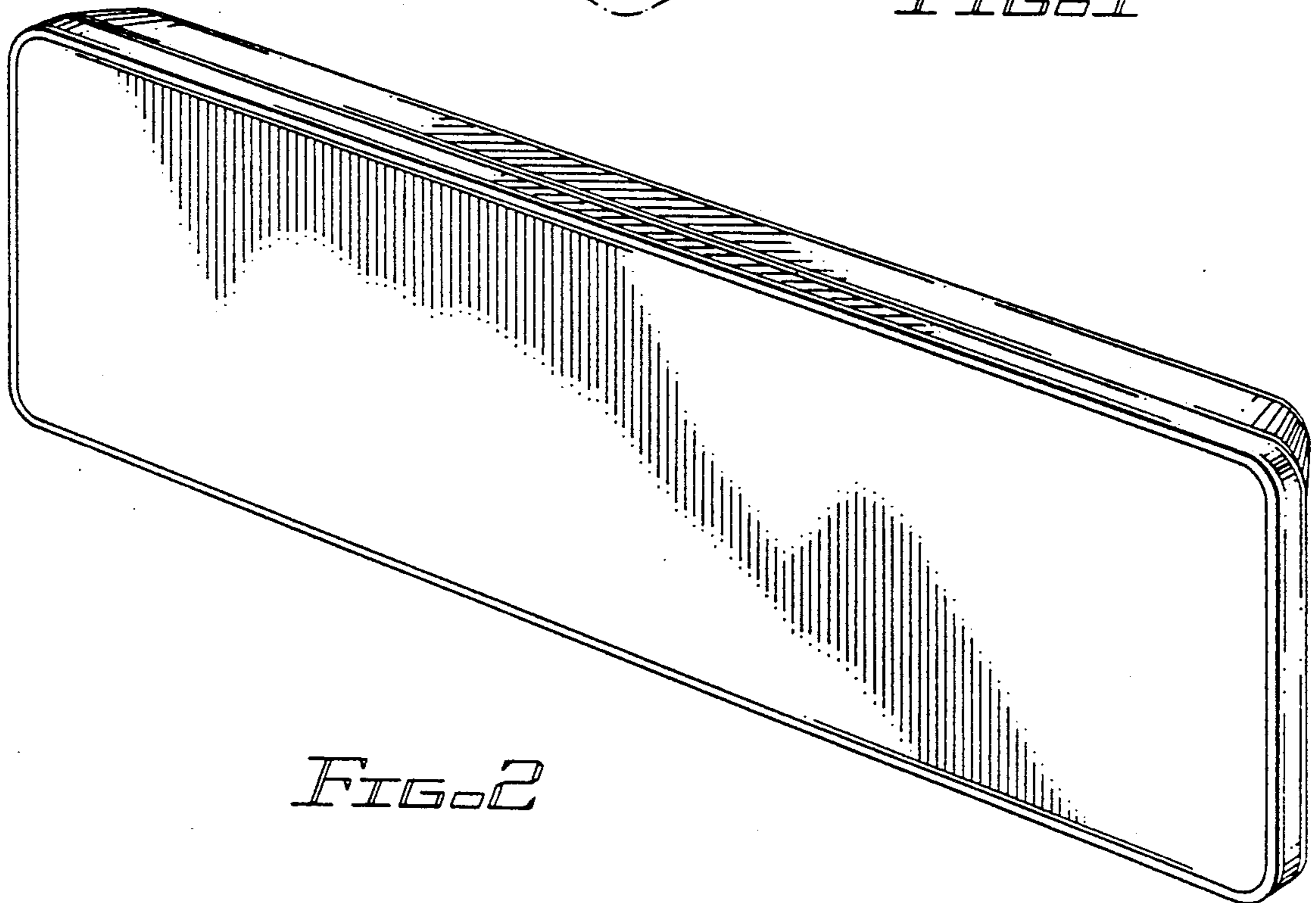
FIG. 6 is a second orthogonal end view of the telephone handset and the telephone handset dispenser.

The broken line disclosure of the telephone handset in FIGS. 1, 3, and 5 is for illustrative purposes only and forms no part of the claimed design.

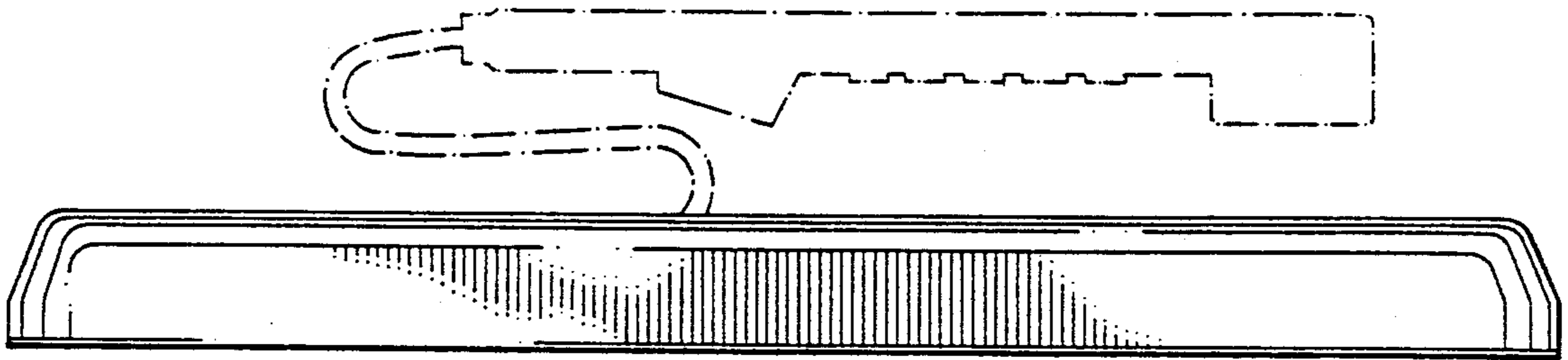




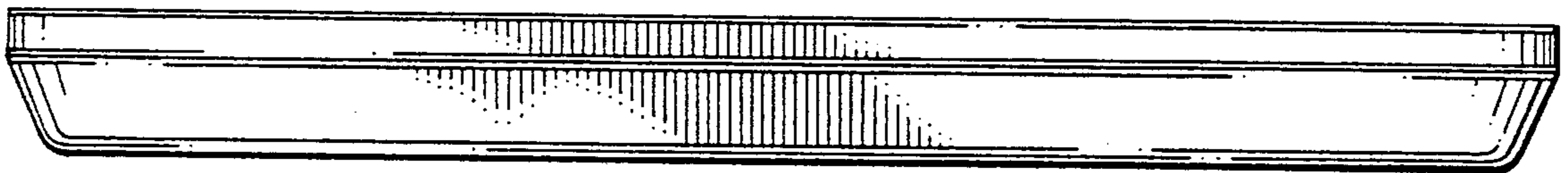
*FIG. 1*



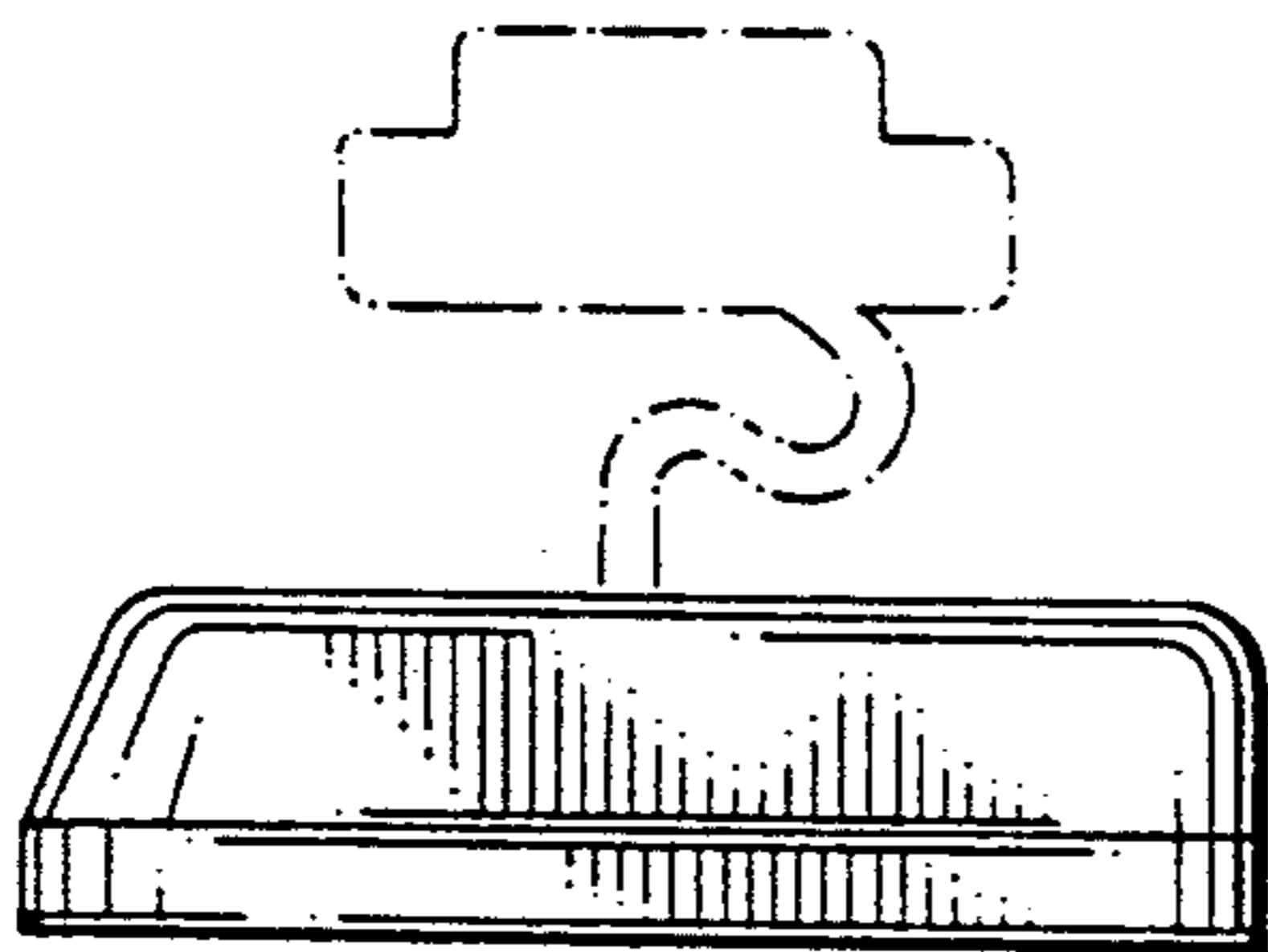
*FIG. 2*



*FIG. 3*



*FIG. 4*



*FIG. 5*

*FIG. 6*

