

[54] **BASE FOR A TELEPHONE SET**

[75] **Inventor: Maki Myoga, Portland, Oreg.**

[73] **Assignees: Code-A-Phone Corporation,
 Clackamas, Oreg.**

[**] **Term: 14 Years**

[21] **Appl. No.: 638,648**

[22] **Filed: Jan. 8, 1991**

[52] **U.S. Cl. D14/138; D14/151;
 D14/142; D14/148; D14/143**

[58] **Field of Search D14/138, 147, 148, 150,
 D14/143, 248; 379/436, 434, 440, 443, 432;
 D21/111**

[56] **References Cited**

U.S. PATENT DOCUMENTS

D. 92,442	6/1939	Worthington	D14/149
D. 152,278	1/1949	McKenna	D14/149
D. 209,910	1/1968	Tyson	D14/248
D. 210,776	4/1968	Dreyfuss	D14/149
D. 211,472	6/1968	Dreyfuss	D14/149
D. 211,739	7/1968	Dreyfuss	D14/151
D. 212,423	10/1968	Tyson	D14/149
D. 232,642	9/1974	Begdle et al.	D14/150
D. 279,005	5/1985	Genaro et al.	D14/248
D. 284,857	7/1986	Brignole	D14/150
D. 291,438	8/1987	Bonko	D14/150
D. 291,562	8/1987	Lee	D14/143
D. 292,703	11/1987	Tragatschnig	D14/151
D. 293,572	1/1988	Büchin	D14/149
D. 294,500	3/1988	Drakulovic et al.	D14/248
D. 295,410	4/1988	Yoshiharu	D14/143
D. 297,732	9/1988	Chan	D14/149
D. 299,645	1/1989	Ohta et al.	D14/149
D. 301,577	6/1989	Morrison et al.	D14/143
D. 304,335	10/1989	Chen	D14/149 X
D. 311,397	10/1990	Cheng	D14/149
D. 314,379	2/1991	Cheng	D14/151

OTHER PUBLICATIONS

Citicorp Diners Club; Leaflet on Swiss "Swisstel", 2 piece phone #183, © by Citicorp Diners Club 1991.

Primary Examiner—Horace B. Fay, Jr.
Attorney, Agent, or Firm—Fitch, Even, Tabin & Flannery

[57] **CLAIM**

The ornamental design for a base for a telephone set, as shown and described.

DESCRIPTION

FIG. 1 is a perspective view of a base for a telephone set showing my new design embodied in a cordless telephone set;

FIG. 2 is a top plan view thereof;

FIG. 3 is a right side elevational view thereof;

FIG. 4 is a left side elevational view thereof;

FIG. 5 is a front elevational view thereof;

FIG. 6 is a rear elevational view thereof;

FIG. 7 is a bottom plan view thereof;

FIG. 8 is a perspective view of a telephone set base showing my new design embodied in a base having no antenna nor visible handset connection;

FIG. 9 is a top plan view thereof;

FIG. 10 is a right side elevational view thereof;

FIG. 11 is a left side elevational view thereof;

FIG. 12 is a front elevational view thereof;

FIG. 13 is a rear elevational view thereof;

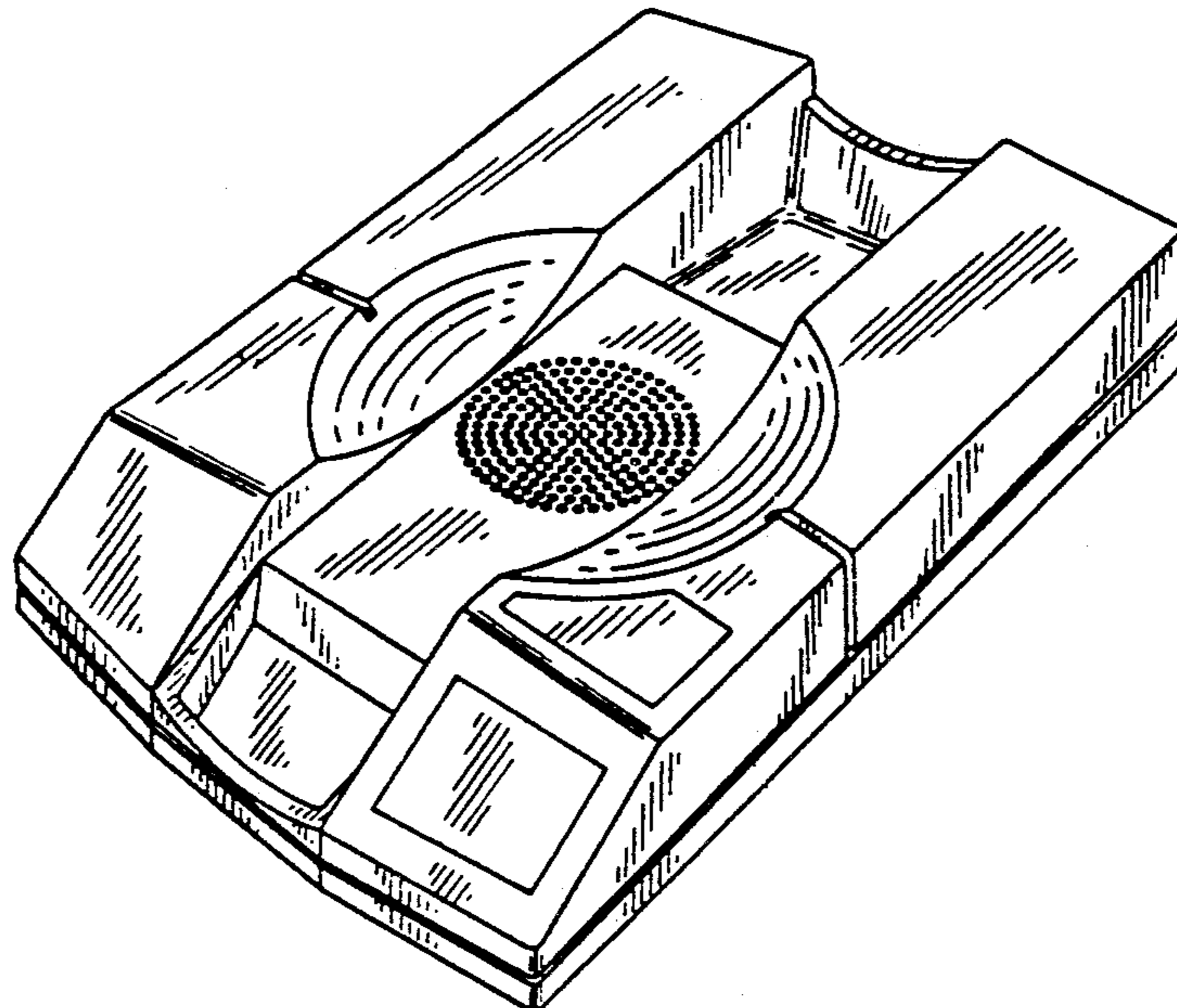
FIG. 14 is a bottom plan view thereof;

FIG. 15 is a perspective view of a telephone set base showing my new design embodied in a corded telephone set with the cord connecting to the left side of the base;

FIG. 16 is a left side elevational view thereof; and

FIG. 17 is a front elevational view thereof.

The broken line showing of a handset telephone with an antenna in FIG. 1 is for illustrative purposes only and forms no part of the claimed design.



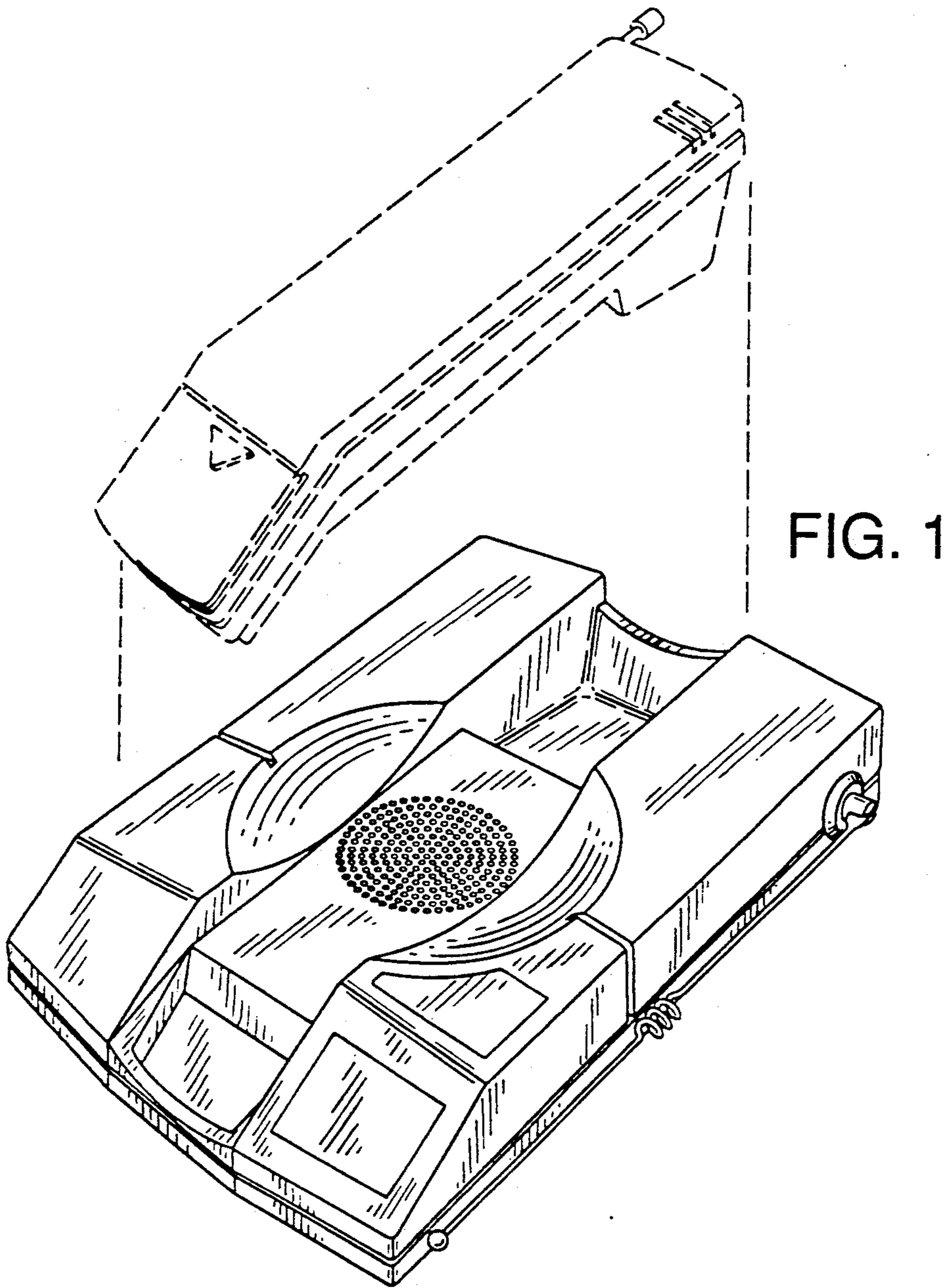


FIG. 7

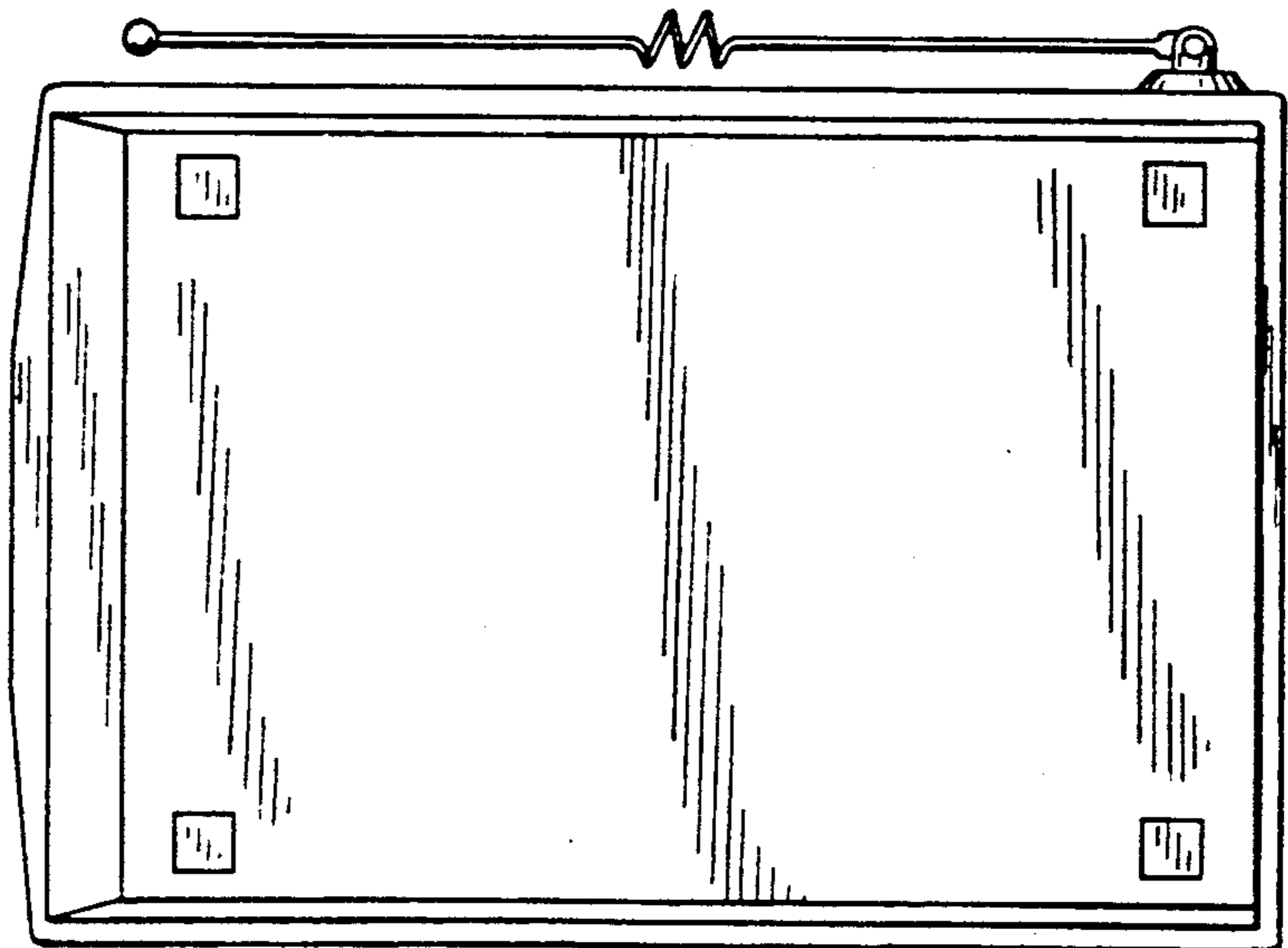


FIG. 2

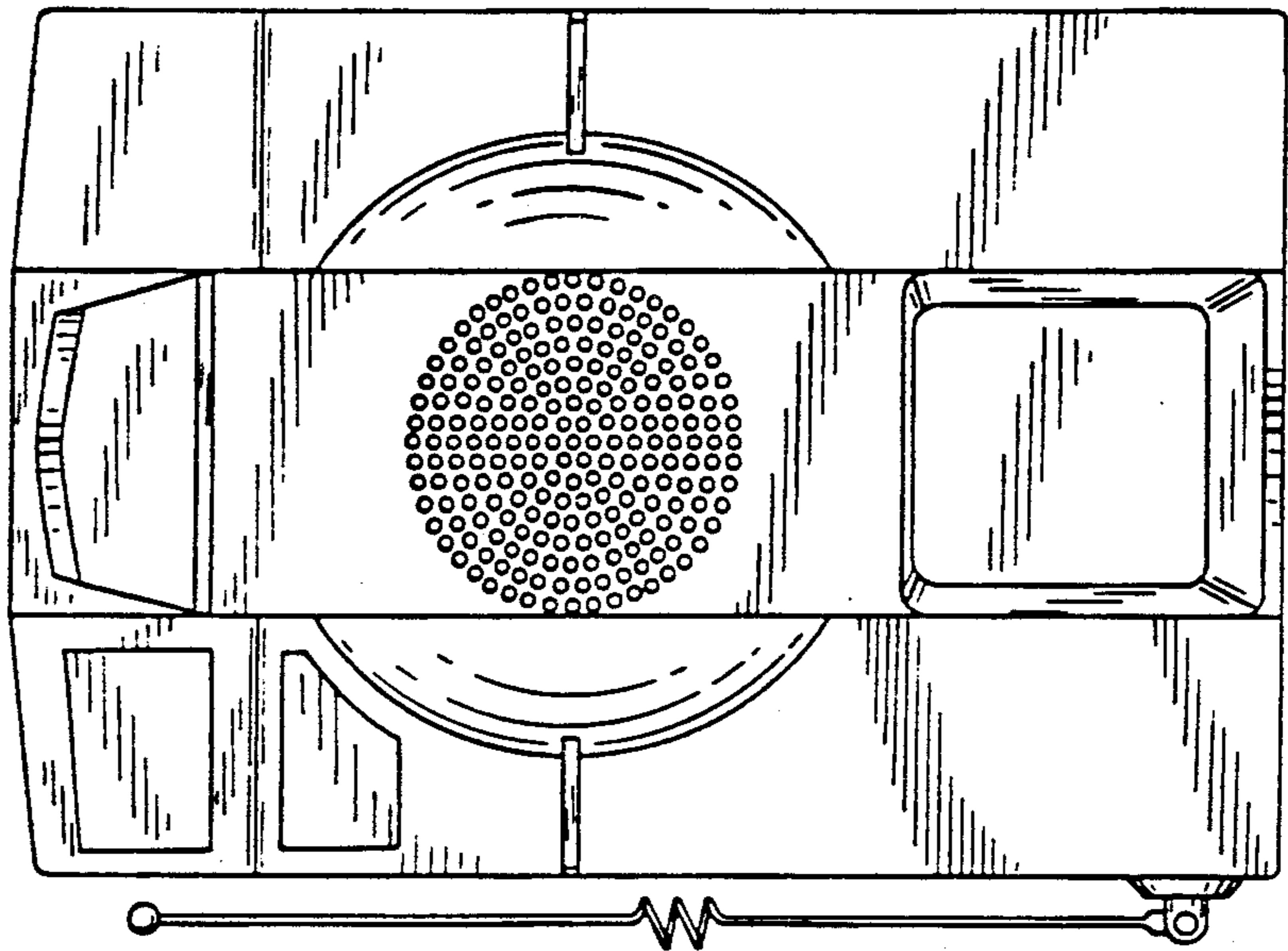


FIG. 3

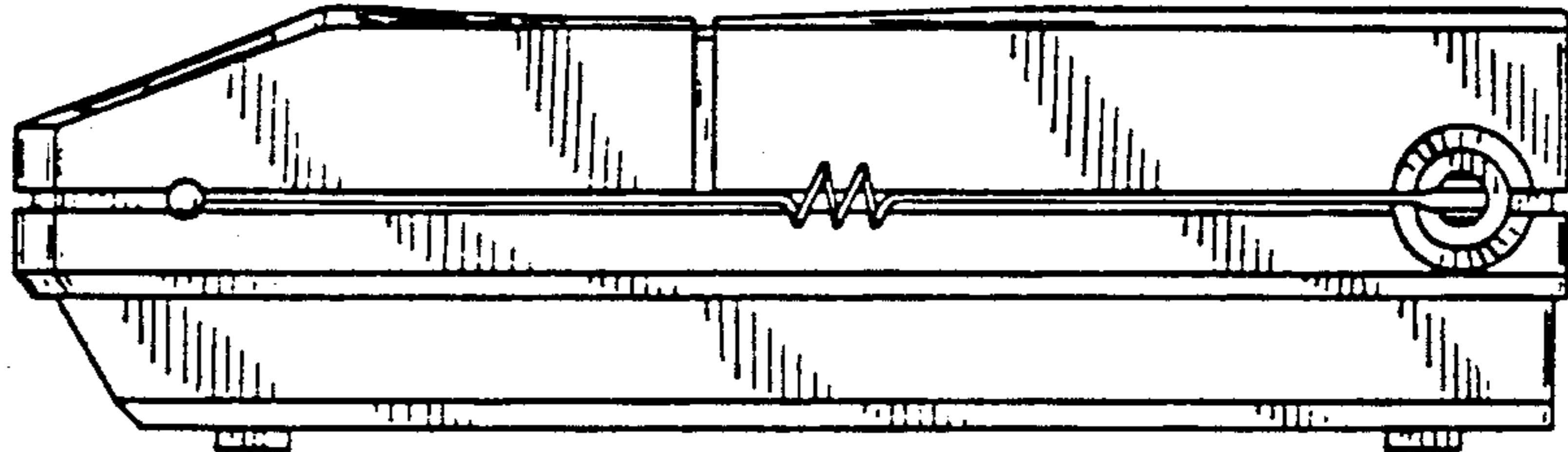


FIG. 4

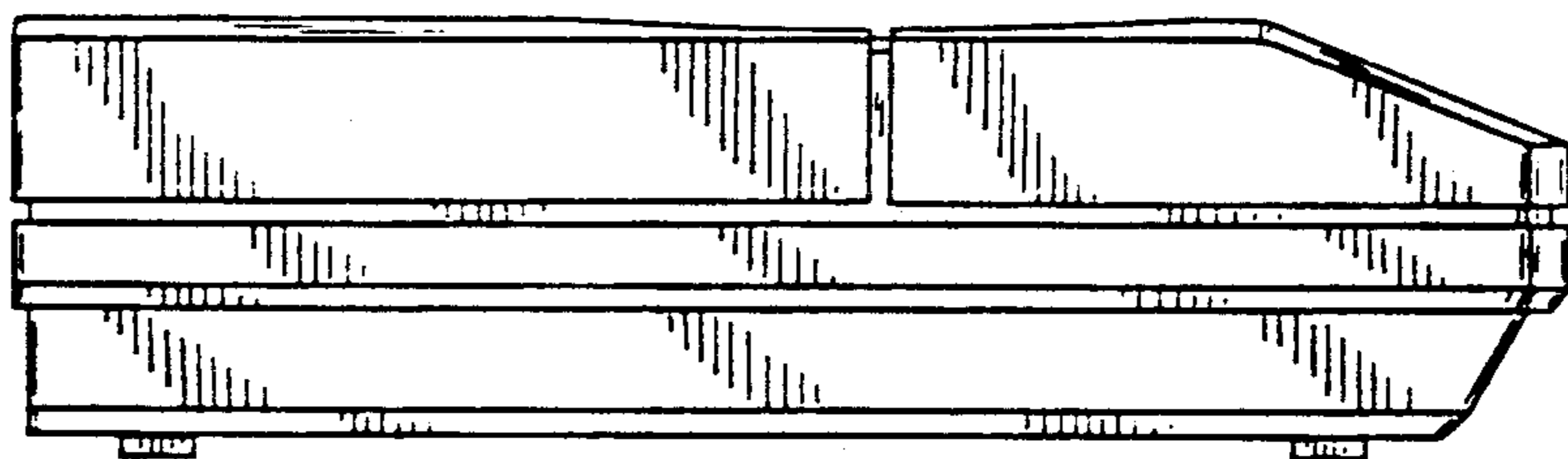


FIG. 5

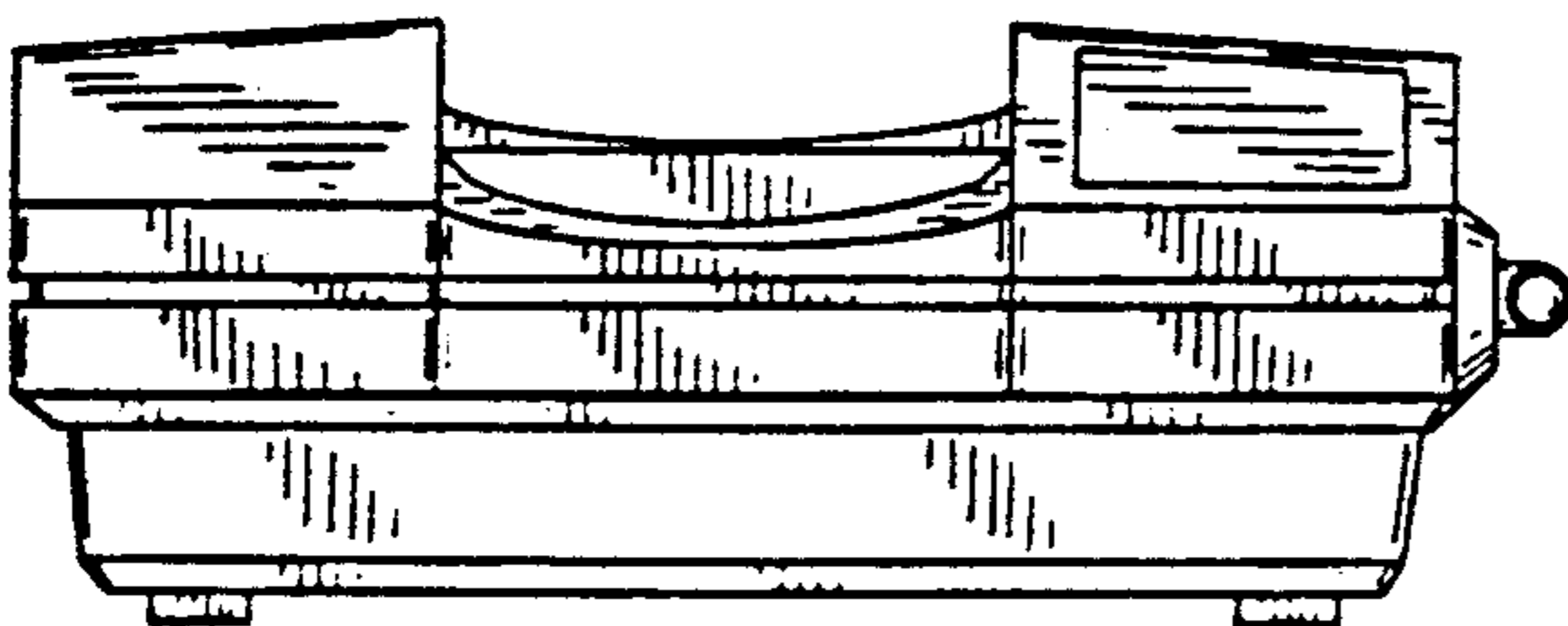


FIG. 6

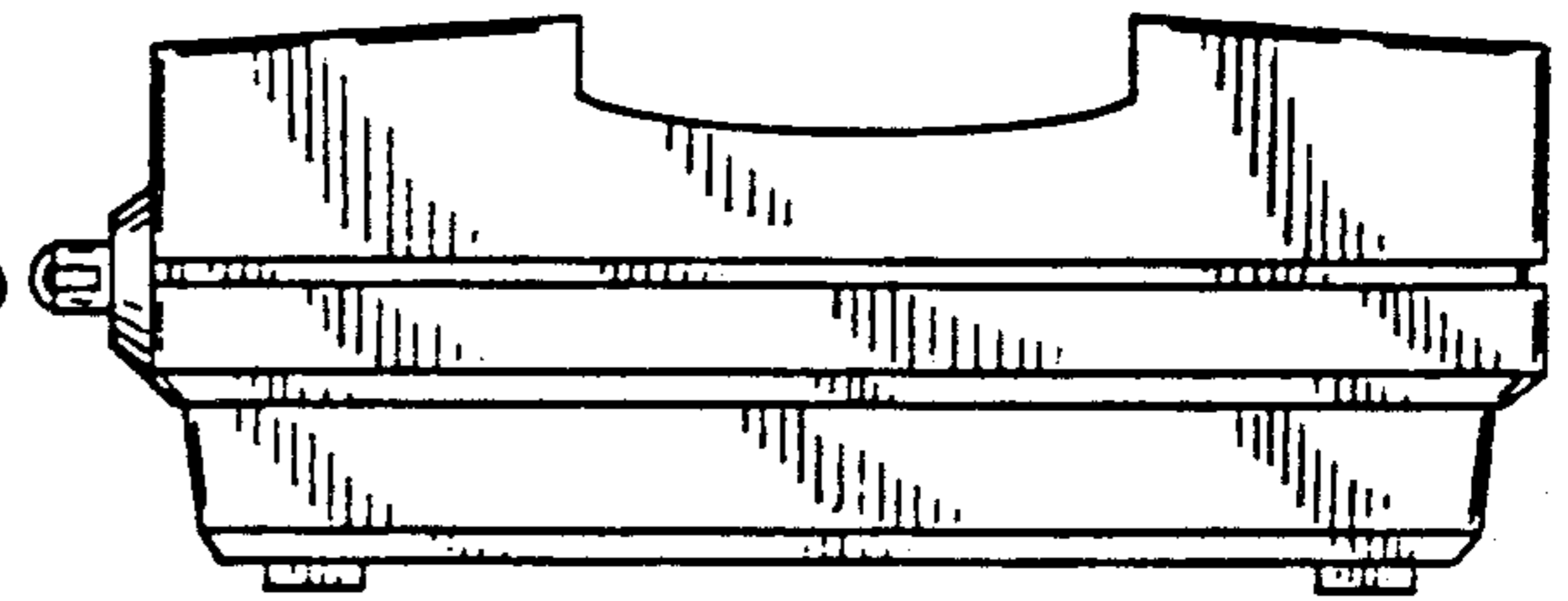


FIG. 8

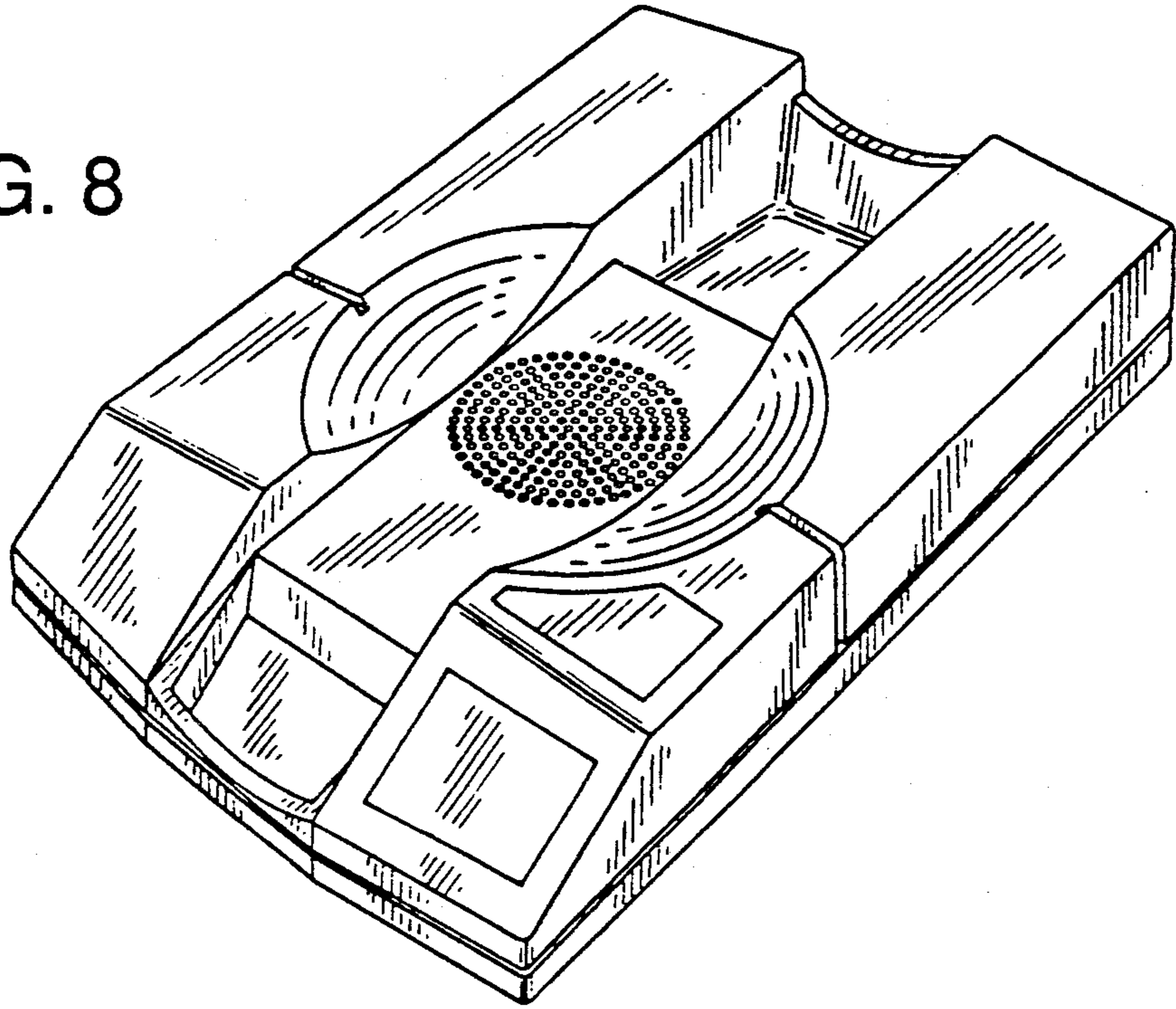


FIG. 9

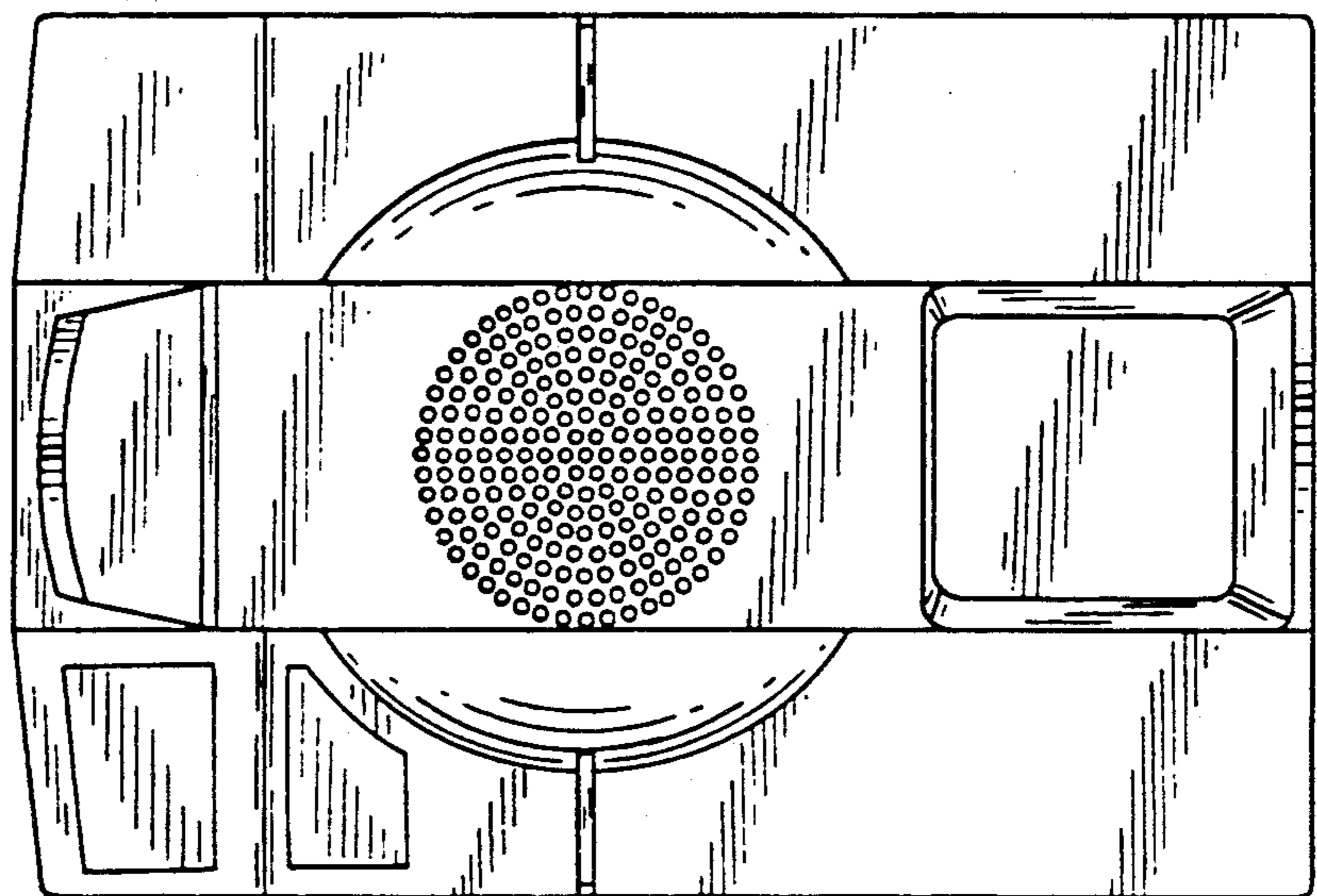


FIG. 10

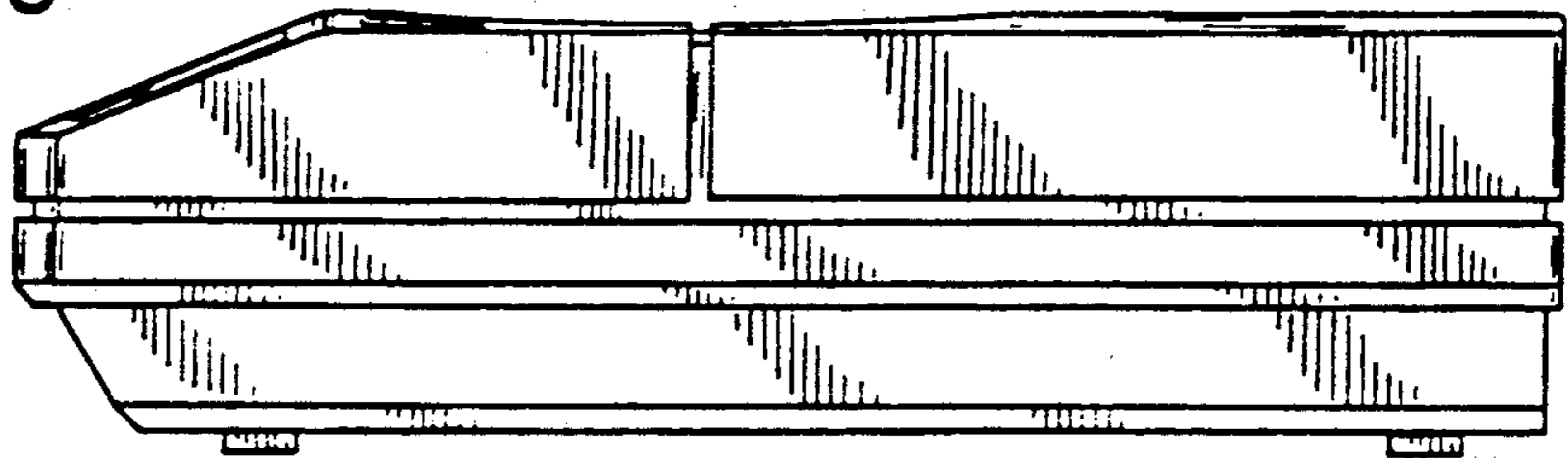


FIG. 11

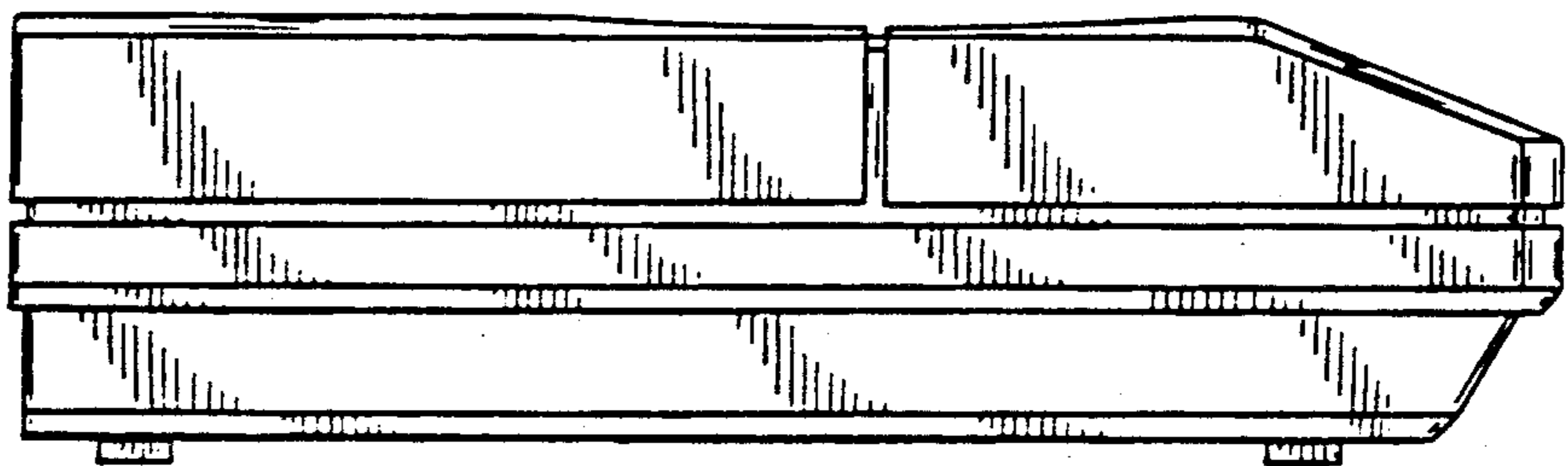


FIG. 12

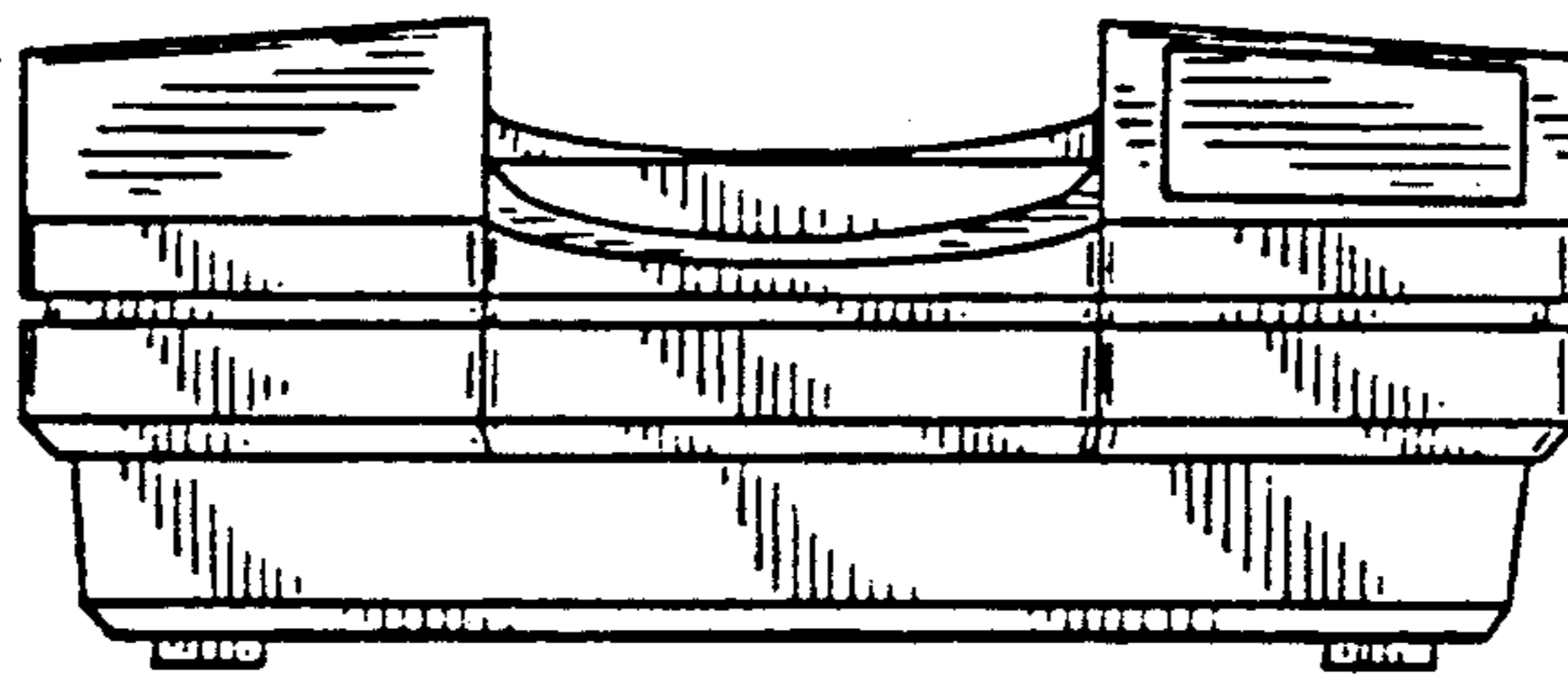


FIG. 13

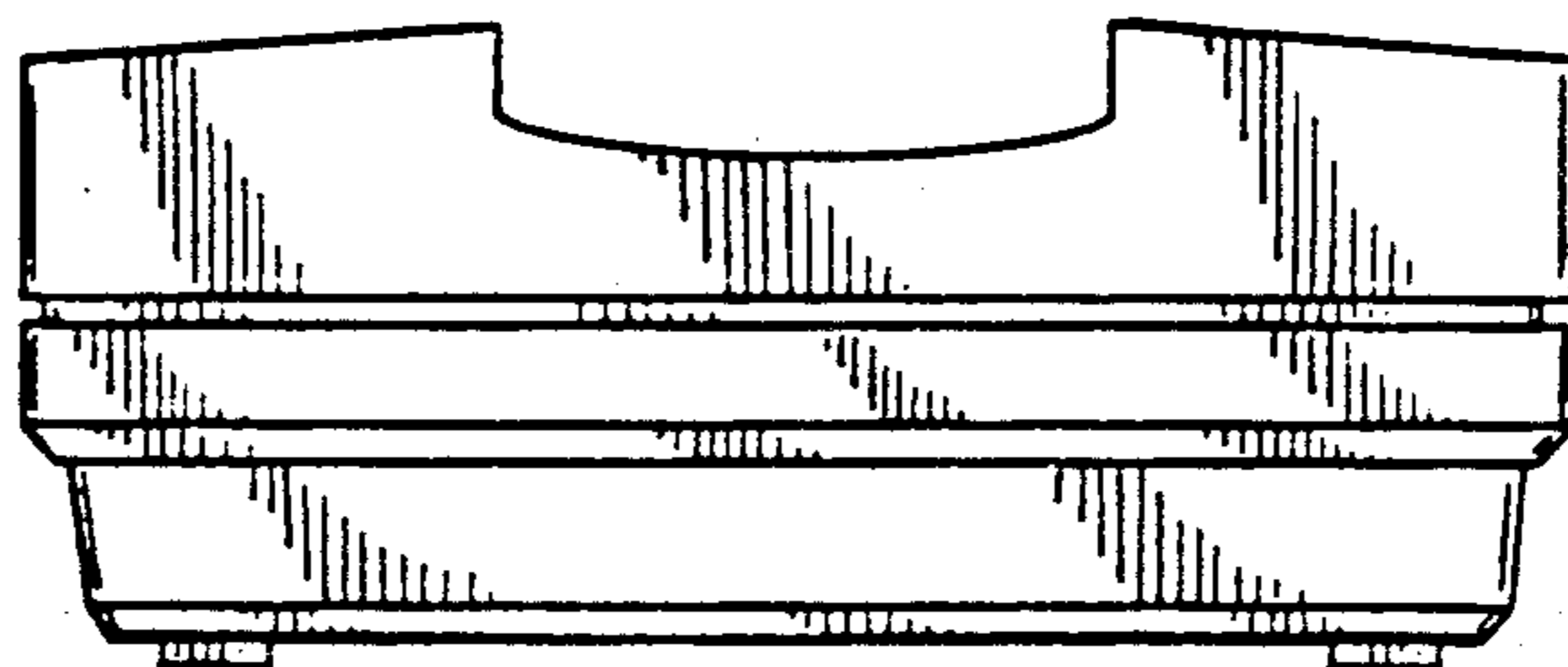


FIG. 14

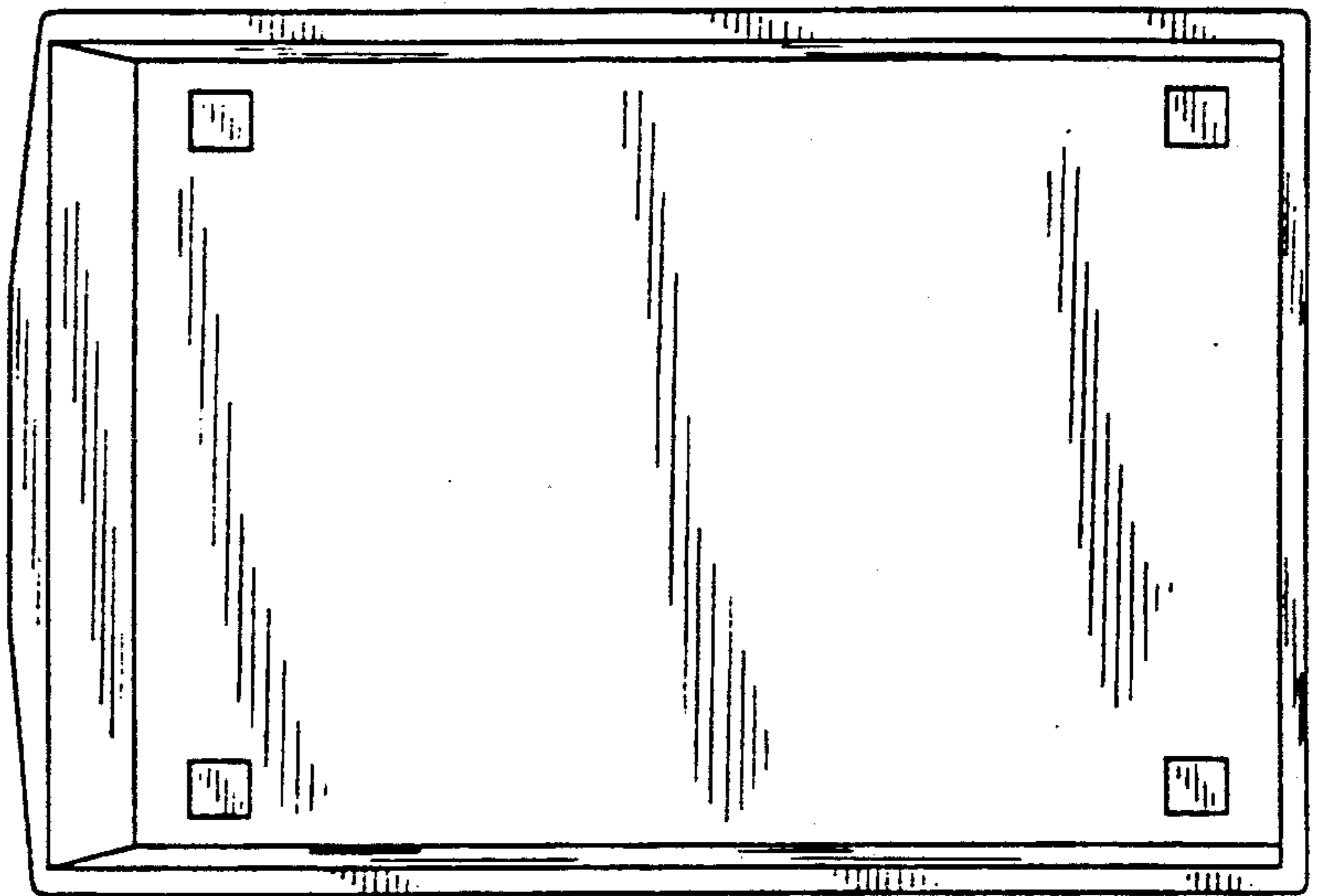


FIG. 15

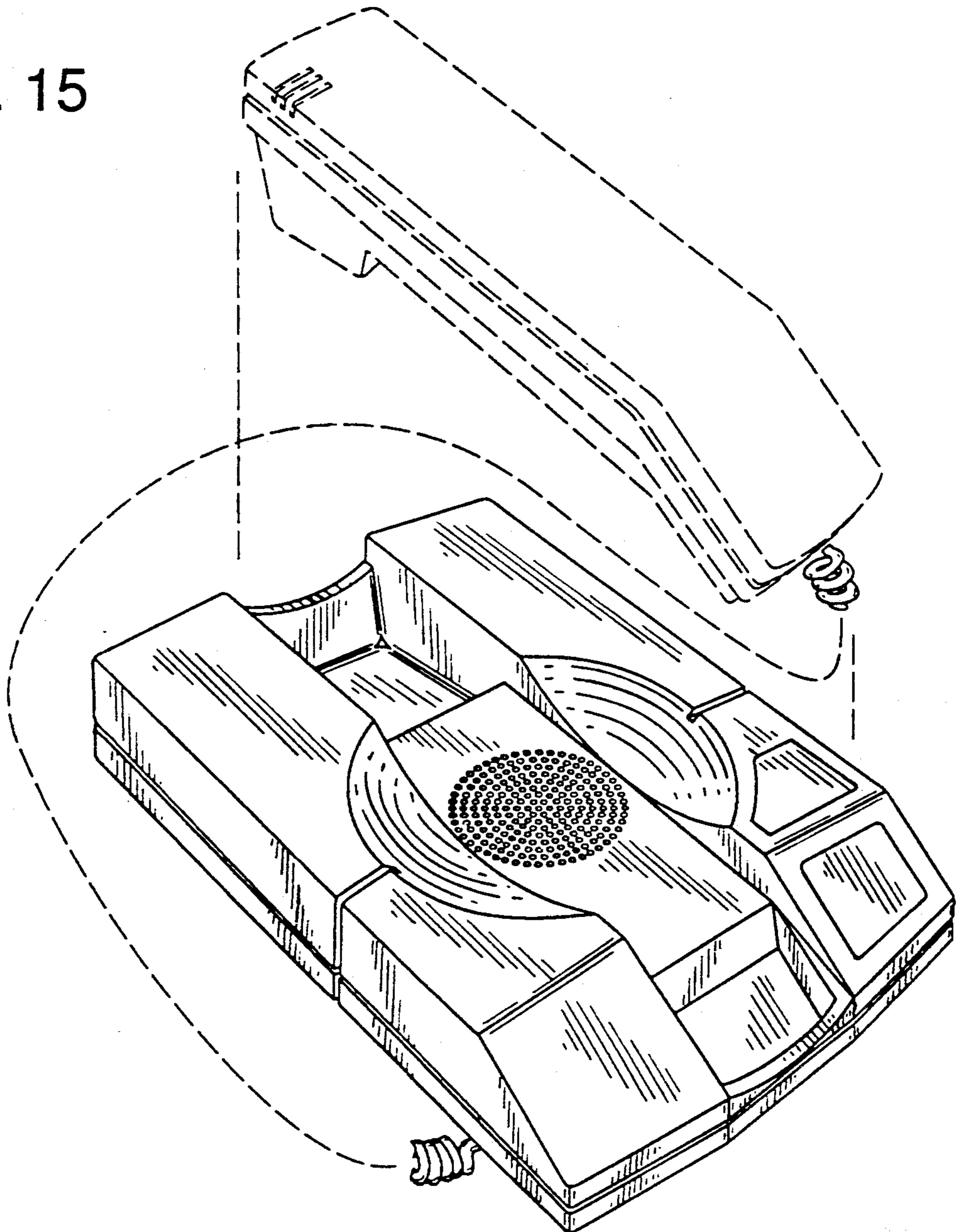


FIG. 16

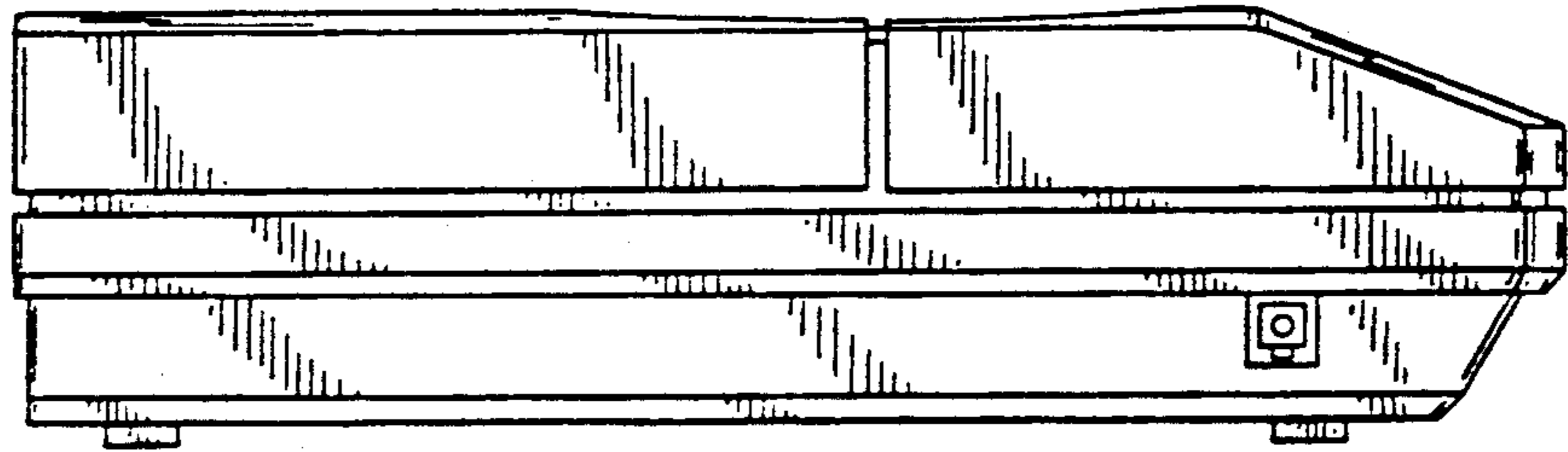


FIG. 17

