

[54] VIDEO CASSETTE RECORDER

[75] Inventors: Richard K. Althans, Long Grove; Francis J. Greb, Deerfield, both of Ill.

[73] Assignee: Zenith Electronics Corporation, Glenview, Ill.

[**] Term: 14 Years

[21] Appl. No.: 495,542

[22] Filed: Mar. 19, 1990

[52] U.S. Cl. D14/135; D14/136

[58] Field of Search D14/124-125, D14/135-136, 156, 217, 239, 299

[56] References Cited

U.S. PATENT DOCUMENTS

D. 311,731 10/1990 Yang D14/135

D. 311,732 10/1990 Shim D14/135
D. 312,826 12/1990 Hong D14/135
D. 313,230 12/1990 Isaacs D14/125

OTHER PUBLICATIONS

Video Review, Oct. 1989, p. 39, RCA VCR.

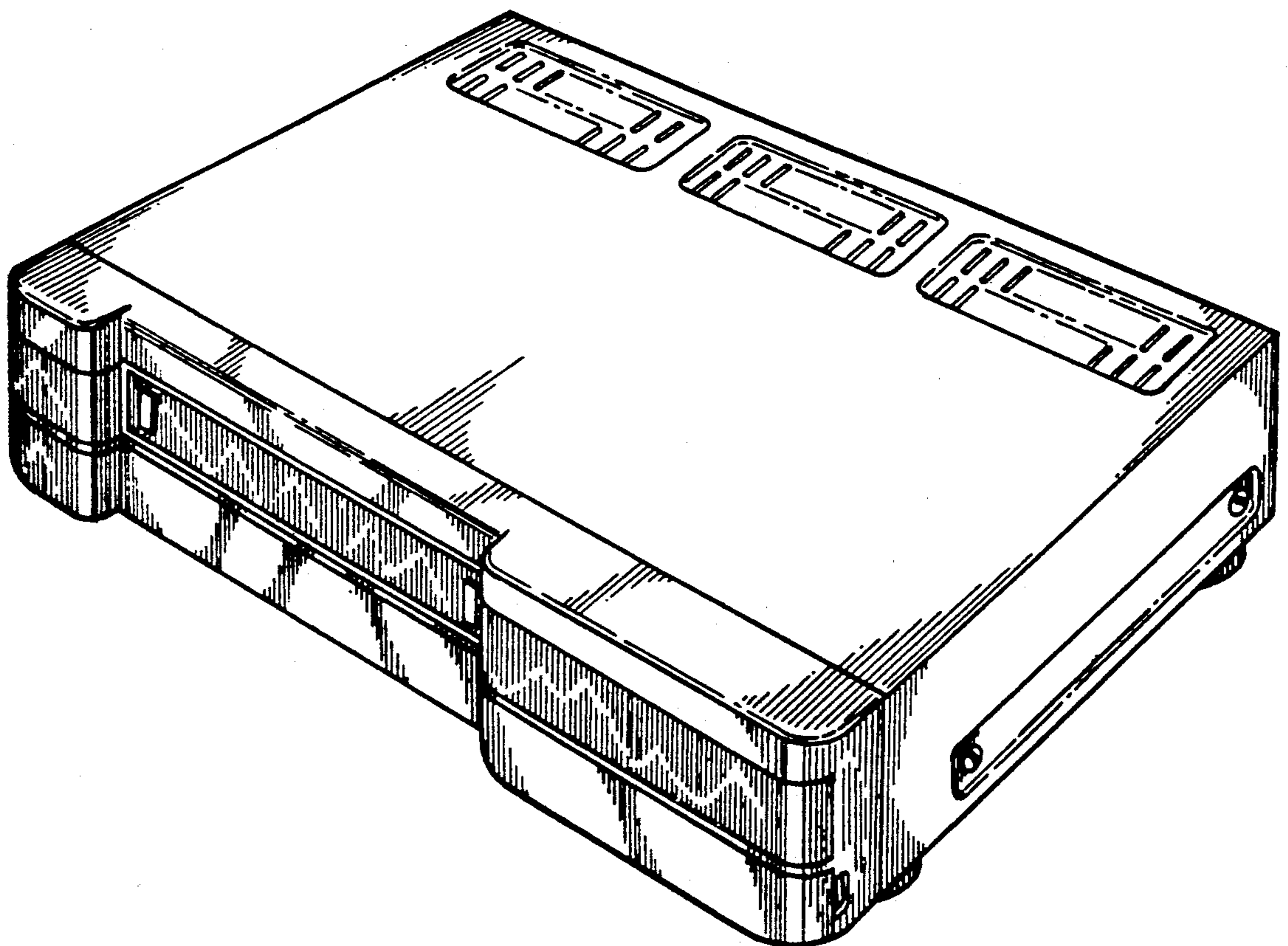
Primary Examiner—Theodore M. Shooman

[57] CLAIM

The ornamental design for a video cassette recorder, as shown and described.

DESCRIPTION

FIG. 1 is a top, front and right side perspective view of a video cassette recorder showing our new design; FIG. 2 is a right side elevational view thereof; FIG. 3 is a left side elevational view thereof; FIG. 4 is a rear elevational view thereof; and FIG. 5 is a bottom plan view thereof.



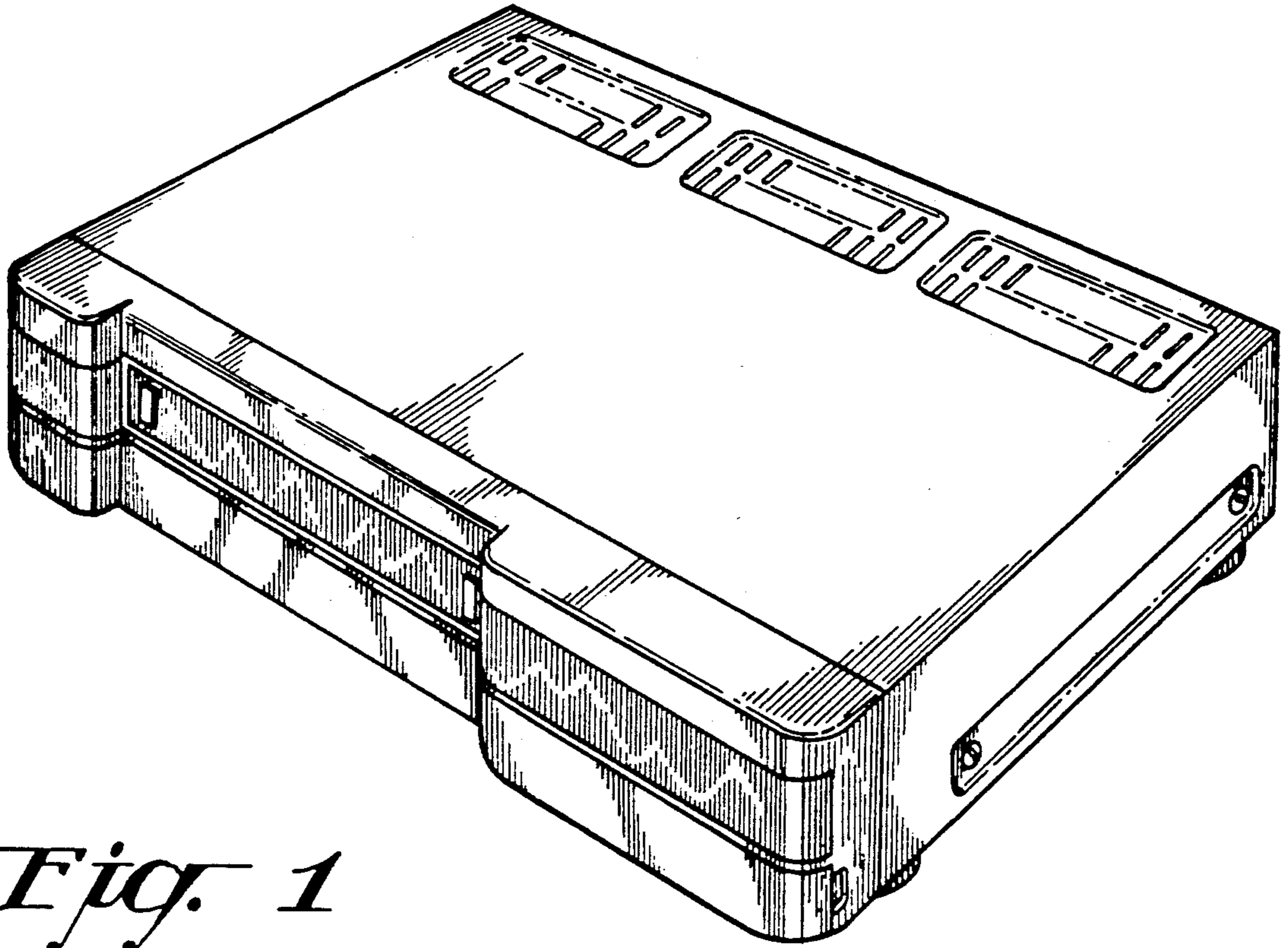


Fig. 1

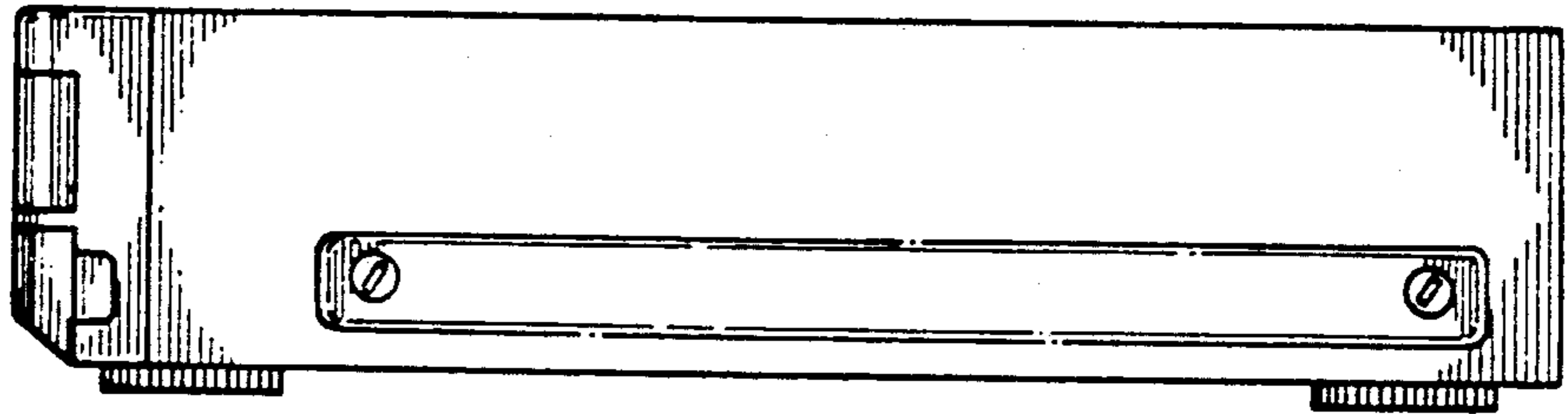


Fig. 2

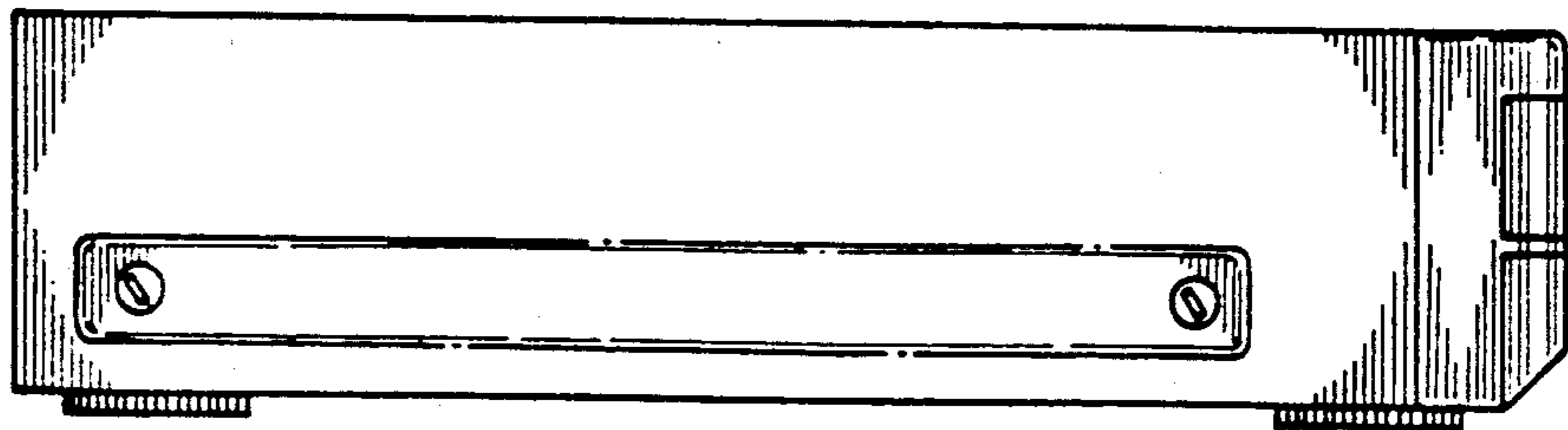


Fig. 3

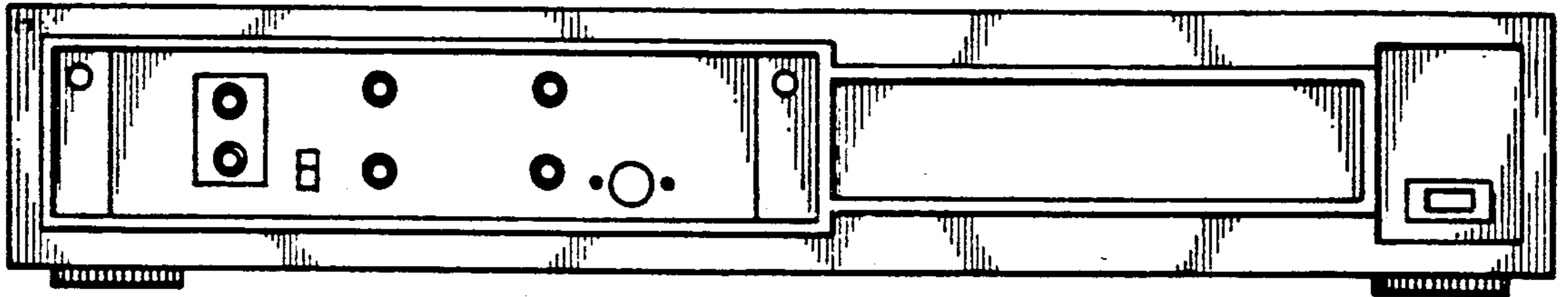


Fig. 4

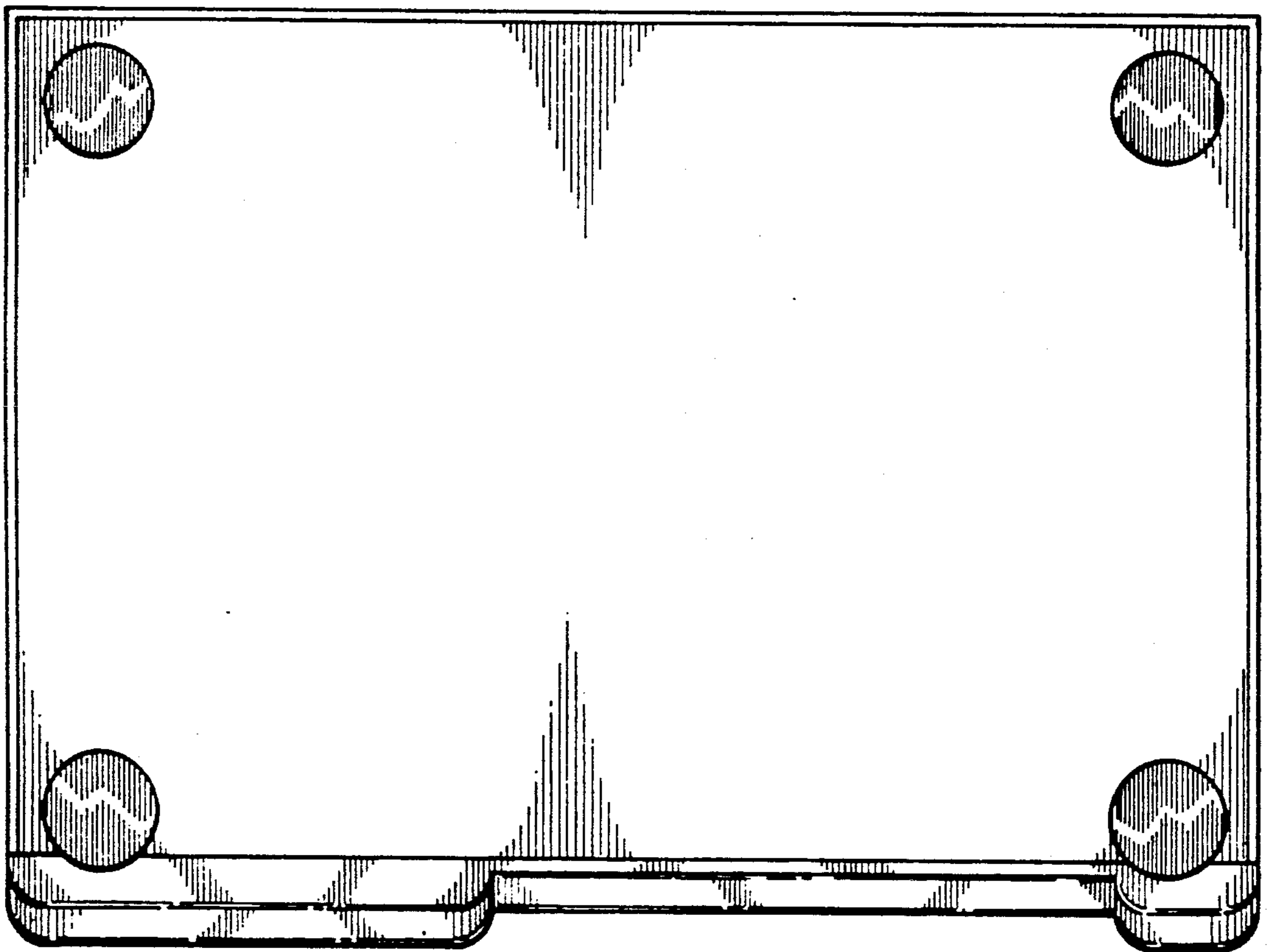


Fig. 5