

[54] COMBINED MARINA POWER PEDESTAL AND LAMP ENCLOSURE

[75] Inventors: Dale E. Simonson, Mankato, Donald H. Stall, North Mankato, Ronald J. Orchard, Mankato, all of Minn.

[73] Assignee: General Electric Company, New York, N.Y.

[**] Term: 14 Years

[21] Appl. No.: 410,676

[22] Filed: Sep. 20, 1989

[52] U.S. Cl. D13/152; D26/51; D26/68

[58] Field of Search D26/51, 67, 68, 69, D26/70; D13/152; 362/431, 145, 153, 153.1; 174/38; 361/333, 334, 357, 363

[56] References Cited

U.S. PATENT DOCUMENTS

- D. 272,655 2/1984 Smith D26/51
- D. 311,519 10/1990 Reali D26/68 X

- D. 314,553 2/1991 Stoll et al. D26/67 X
- 4,307,436 12/1981 Eckart et al. 361/363
- 4,785,376 11/1988 Dively 361/334
- 4,951,182 8/1990 Simonson et al. 362/145

Primary Examiner—Susan J. Lucas
Attorney, Agent, or Firm—Richard A. Menelly; Fred Jacob

[57] CLAIM

The ornamental design for a combined marina power pedestal and lamp enclosure, as shown and described.

DESCRIPTION

FIG. 1 is a top, front, side perspective view of a combined marina power pedestal and lamp enclosure showing our new design;

FIG. 2 is a front elevational view thereof, the rear being identical;

FIG. 3 is a side elevational view thereof, the opposite side being identical;

FIG. 4 is a top plan view thereof on an enlarged scale.

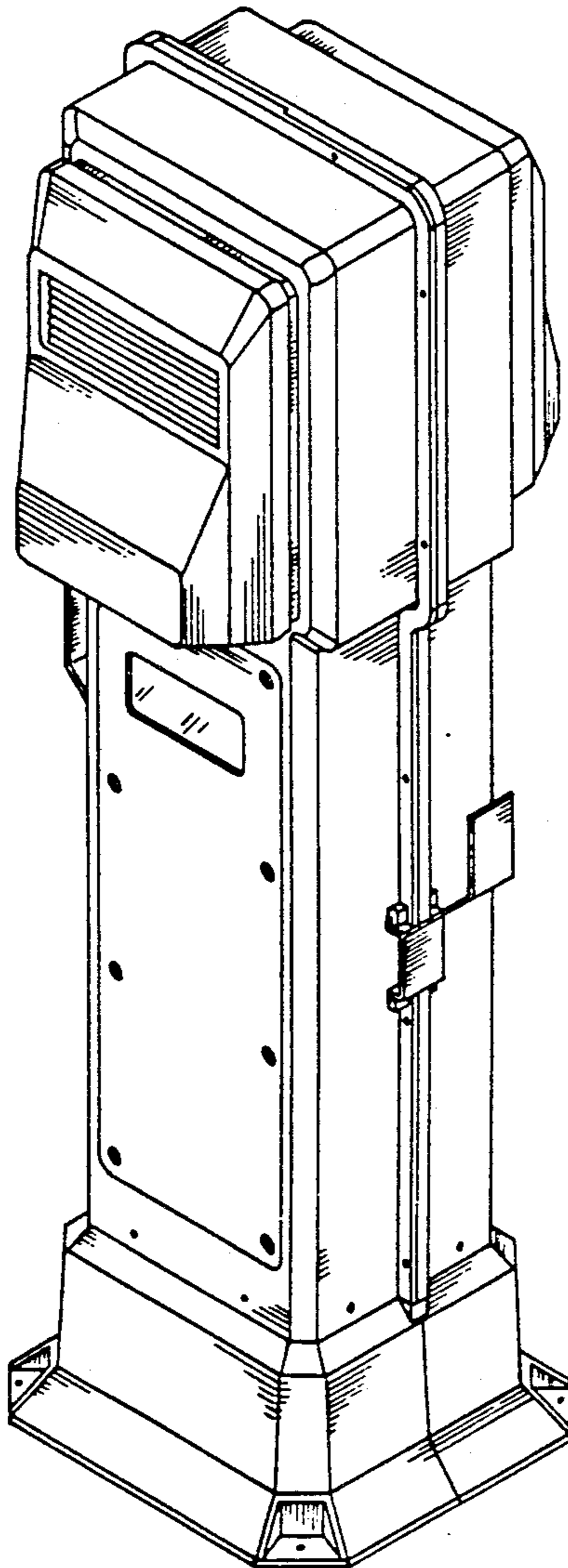
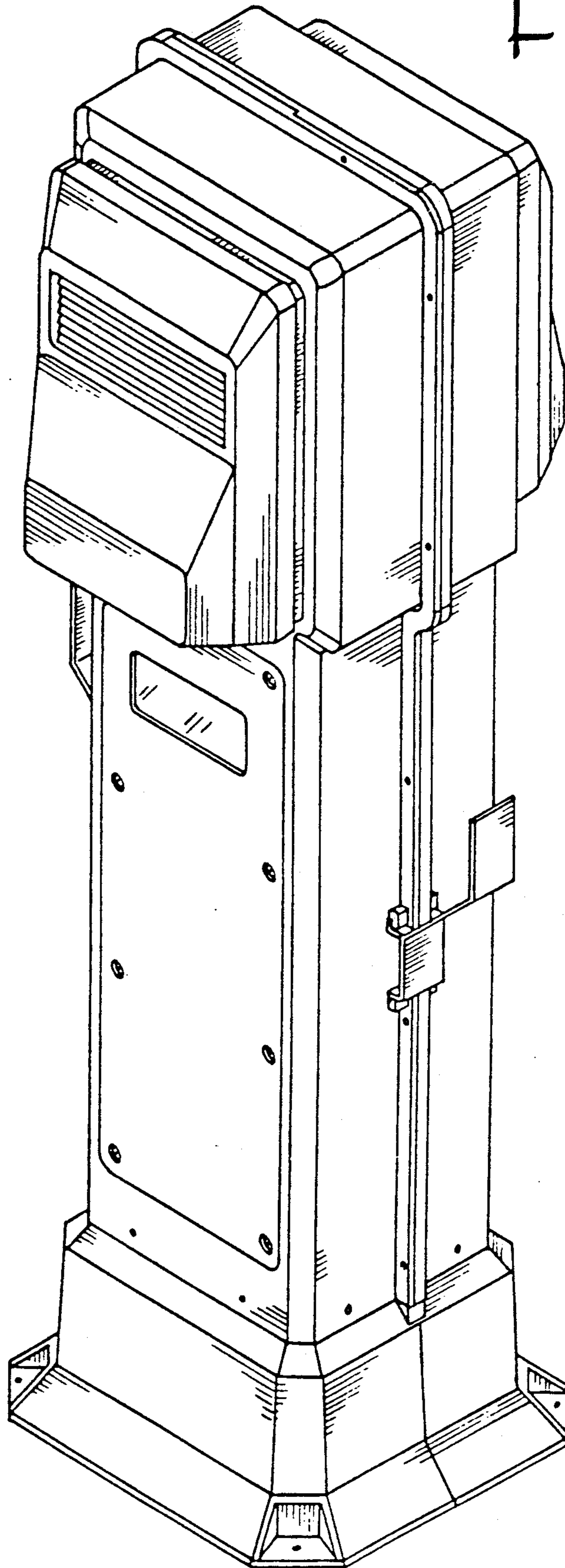


FIG. 1



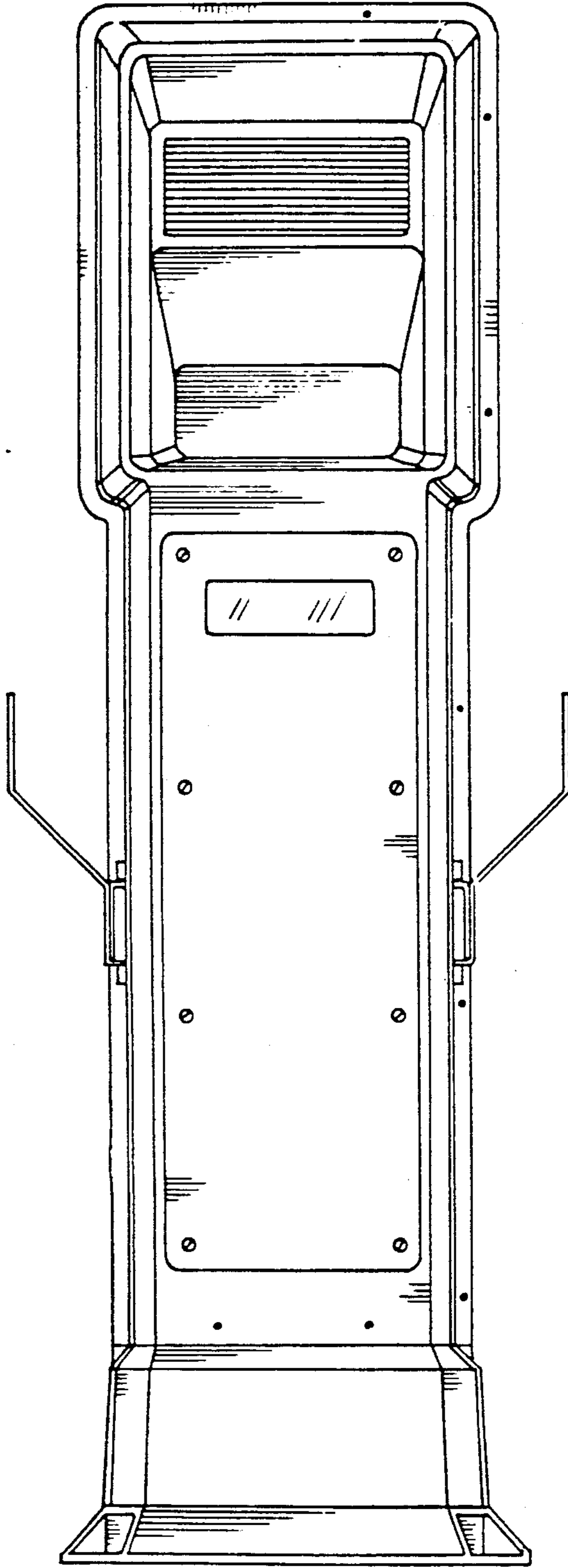


FIG. 2

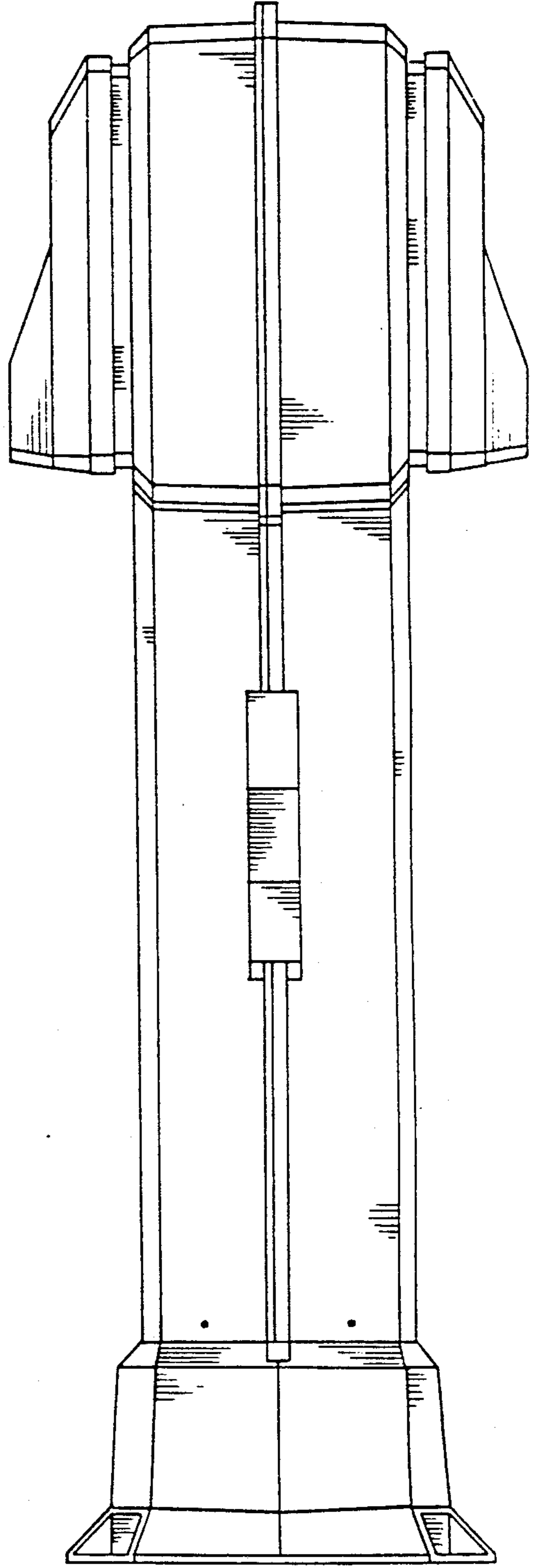


FIG. 3

FIG. 4

