

[54] WHEEL

[75] Inventor: Lawrence K. Shinoda, West Bloomfield, Mich.

[73] Assignee: Shinoda Design Associates, Inc., Livonia, Mich.

[**] Term: 14 Years

[21] Appl. No.: 568,695

[22] Filed: Aug. 17, 1990

[52] U.S. Cl. D12/209

[58] Field of Search D12/206, 209, 211; 301/63 R, 64 R, 64 SD, 65

[56] References Cited

U.S. PATENT DOCUMENTS

- D. 292,389 10/1987 Boyle et al. D12/211
- D. 292,568 11/1987 Cafaro et al. D12/209

- D. 292,569 11/1987 Cafaro et al. D12/209
- D. 292,693 11/1987 Cattaneo D12/211
- D. 300,422 3/1989 Schinella D12/209

OTHER PUBLICATIONS

1990 Tread Design Guide, ©1/90, p. 82, Elite Wheels Viper, bottom right side of page.

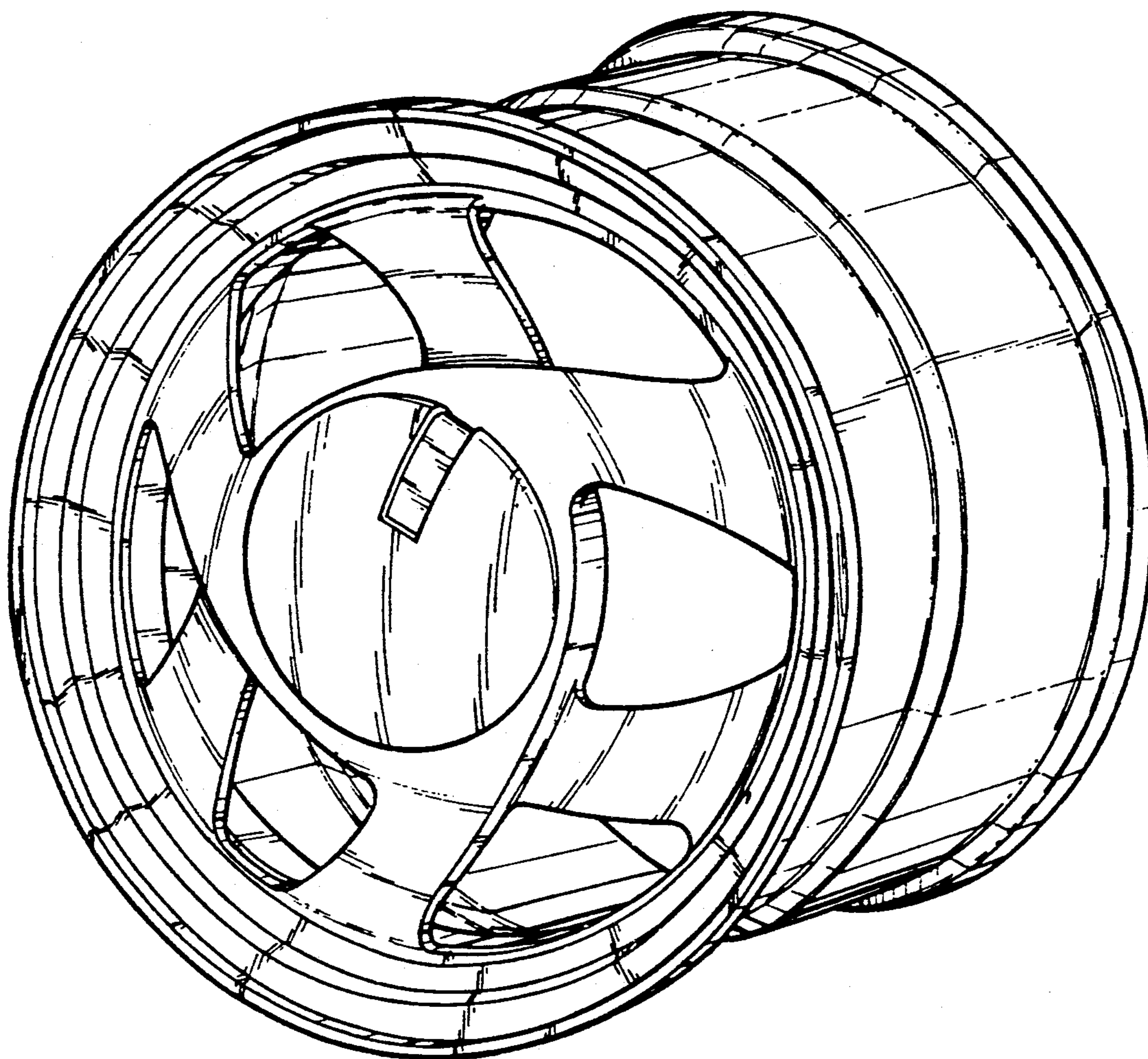
Primary Examiner—James M. Gandy
Attorney, Agent, or Firm—Krass & Young

[57] CLAIM

The ornamental design for a wheel, as shown.

DESCRIPTION

FIG. 1 is a perspective view of a wheel showing my new design;
FIG. 2 is a front elevational view thereof;
FIG. 3 is a side elevational view thereof; and
FIG. 4 is a rear elevational view thereof.



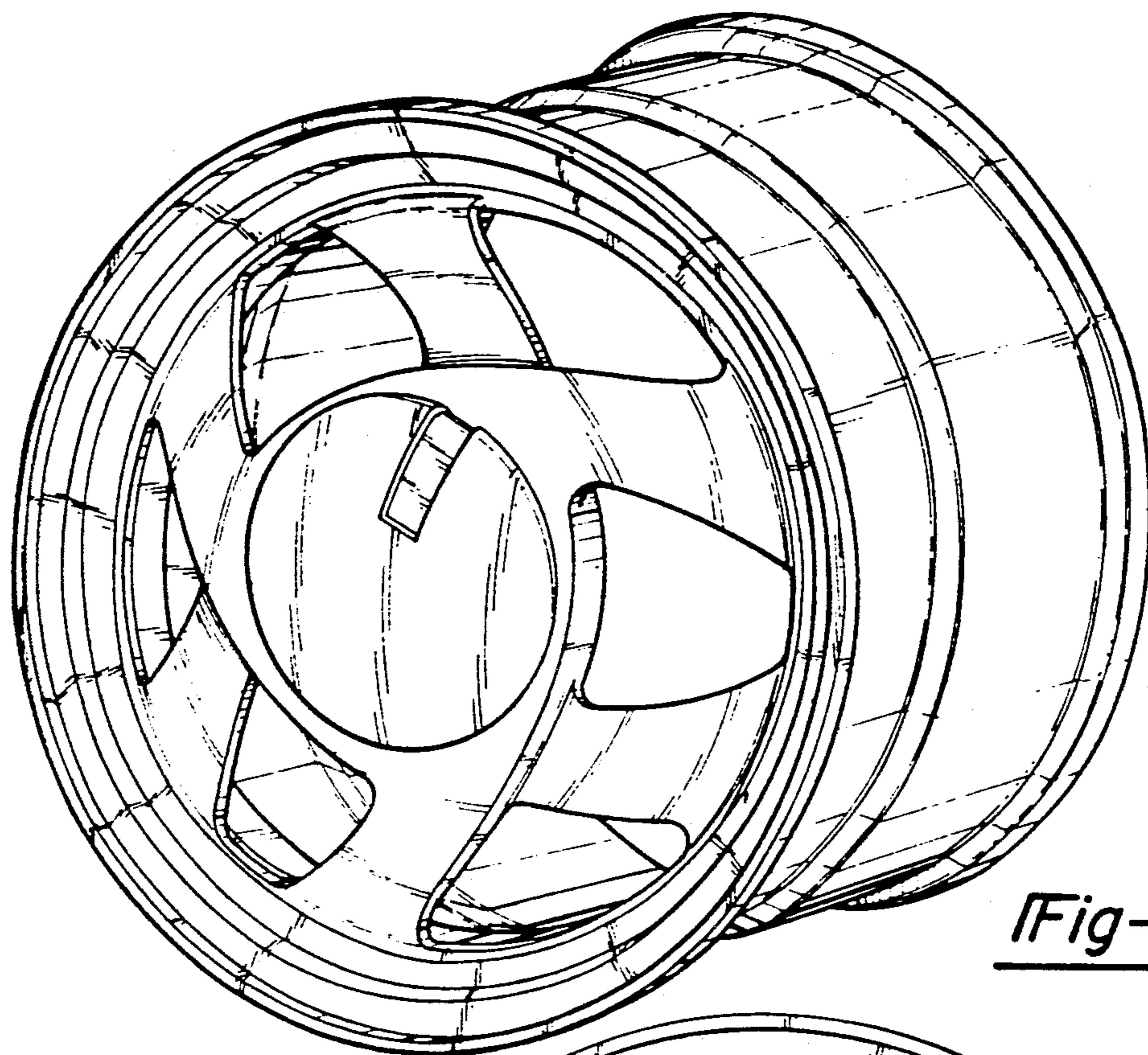


Fig-1

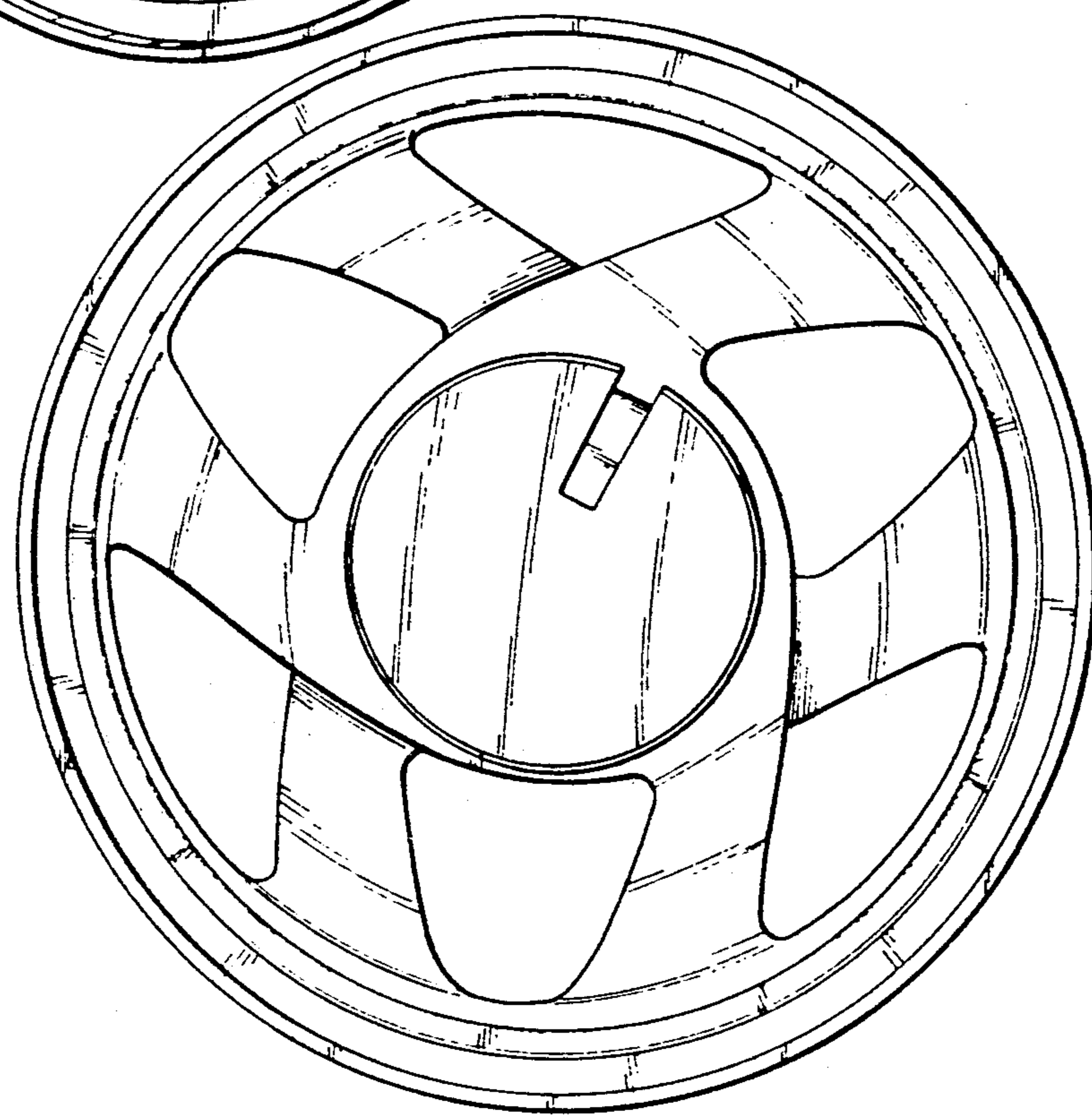


Fig-2

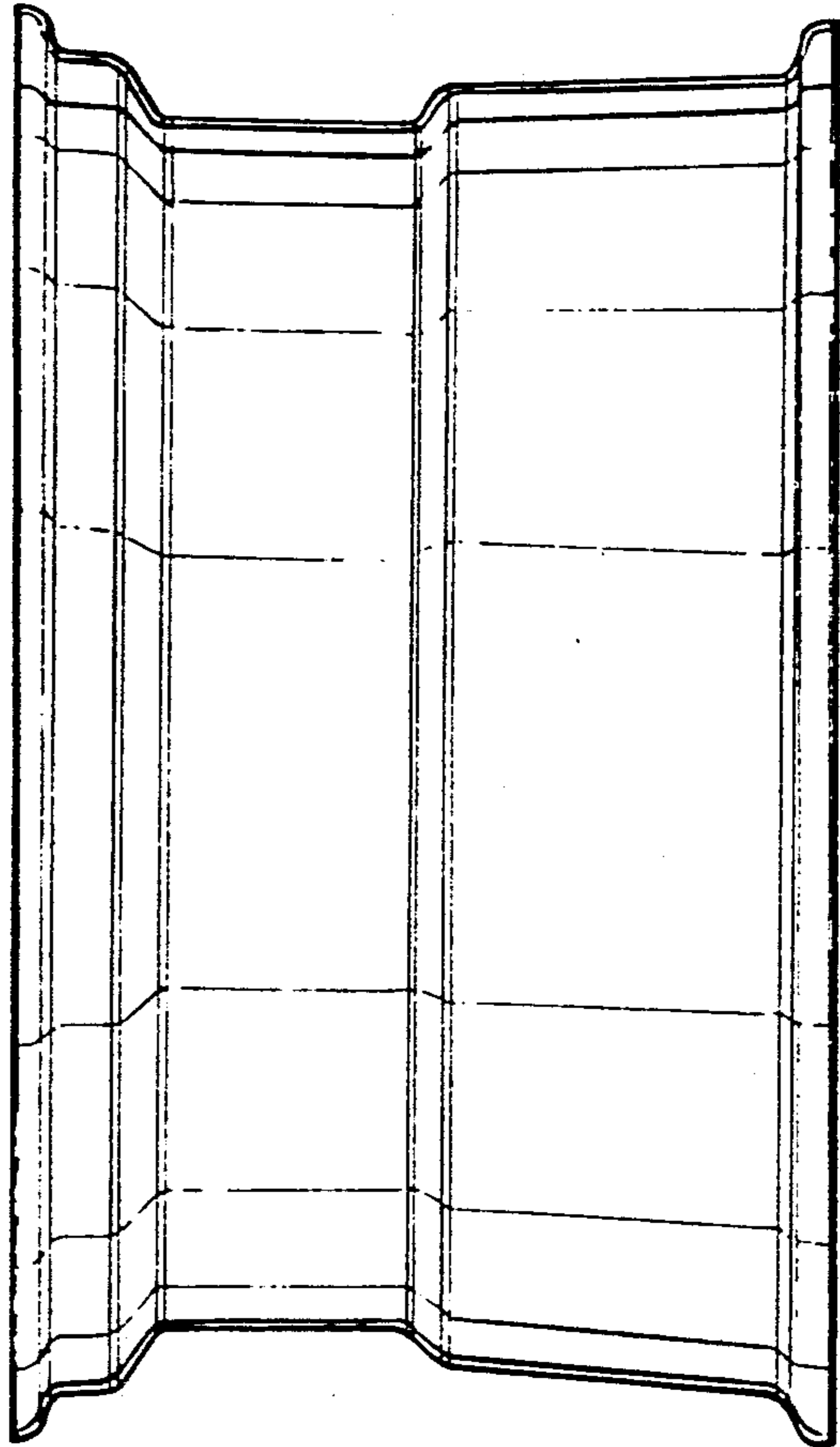


Fig-3

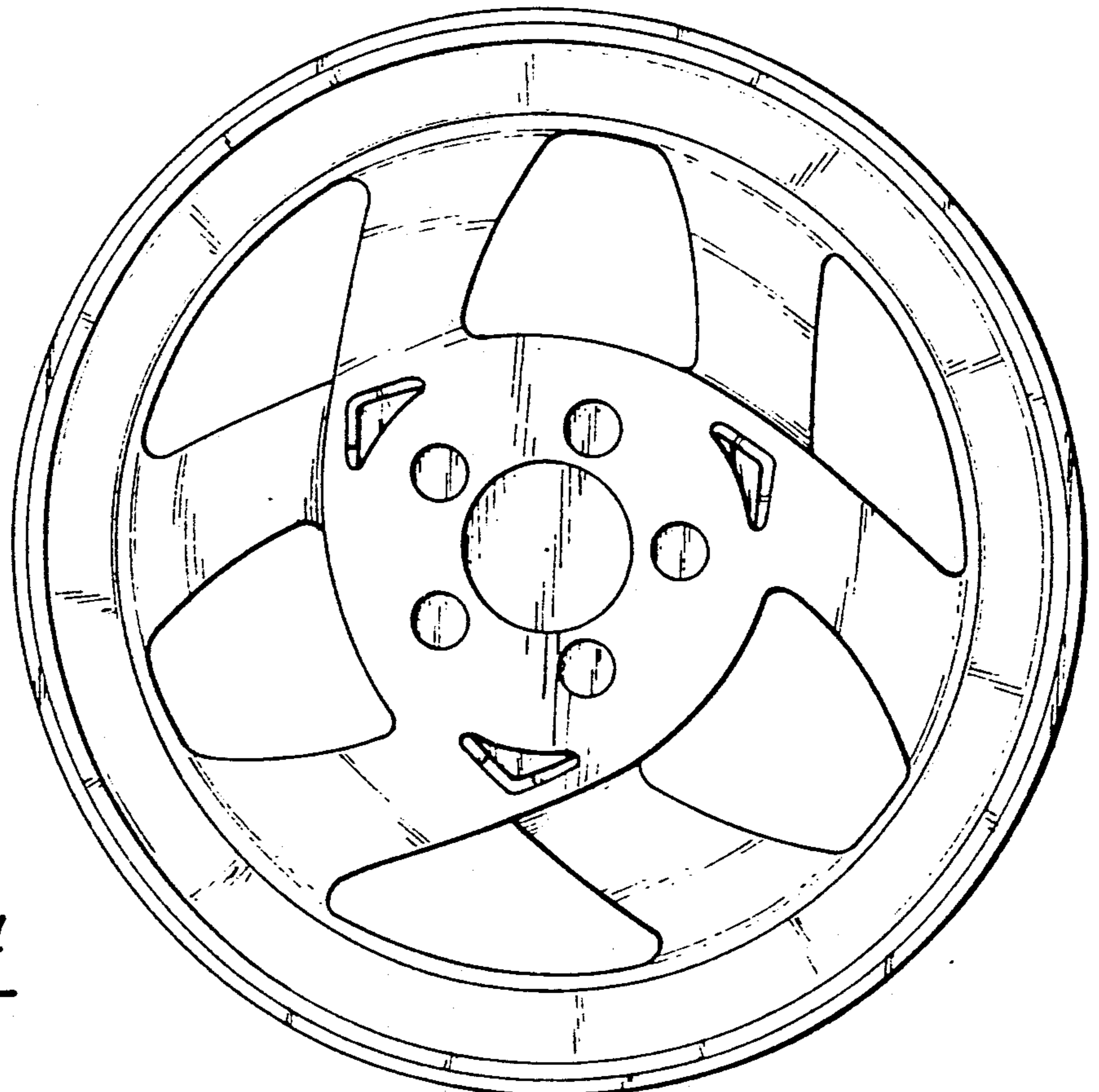


Fig-4