

United States Patent [19]

Hawkes

[11] Patent Number: Des. 322,420

[45] Date of Patent: ** Dec. 17, 1991

[54] **CARRIAGE FOR A CHILD**

[75] Inventor: Peter C. Hawkes, Rugby, England

[73] Assignee: Hestair Maclaren Limited, Long Buckby, United Kingdom

[**] Term: 14 Years

[21] Appl. No.: 390,691

[22] Filed: Jul. 28, 1989

[30] **Foreign Application Priority Data**

Jan. 30, 1989 [GB] United Kingdom 1058541

[52] U.S. Cl. D12/129; D12/128

[58] Field of Search D12/128, 129, 133; 280/650, 644, 647, 648, 642, 47, 38; 297/45, 39

[56] **References Cited**

U.S. PATENT DOCUMENTS

D. 160,598 10/1950 Heideman D12/129

D. 305,314 1/1990 Julien D12/129

4,618,184 10/1986 Harvey 280/650

4,640,519 2/1987 Bigo 280/658

FOREIGN PATENT DOCUMENTS

2204282 11/1988 United Kingdom 280/650

WO2154 5/1985 World Int. Prop. O. 280/644

Primary Examiner—Kay H. Chin

Attorney, Agent, or Firm—Shapiro and Shapiro

[57] **CLAIM**

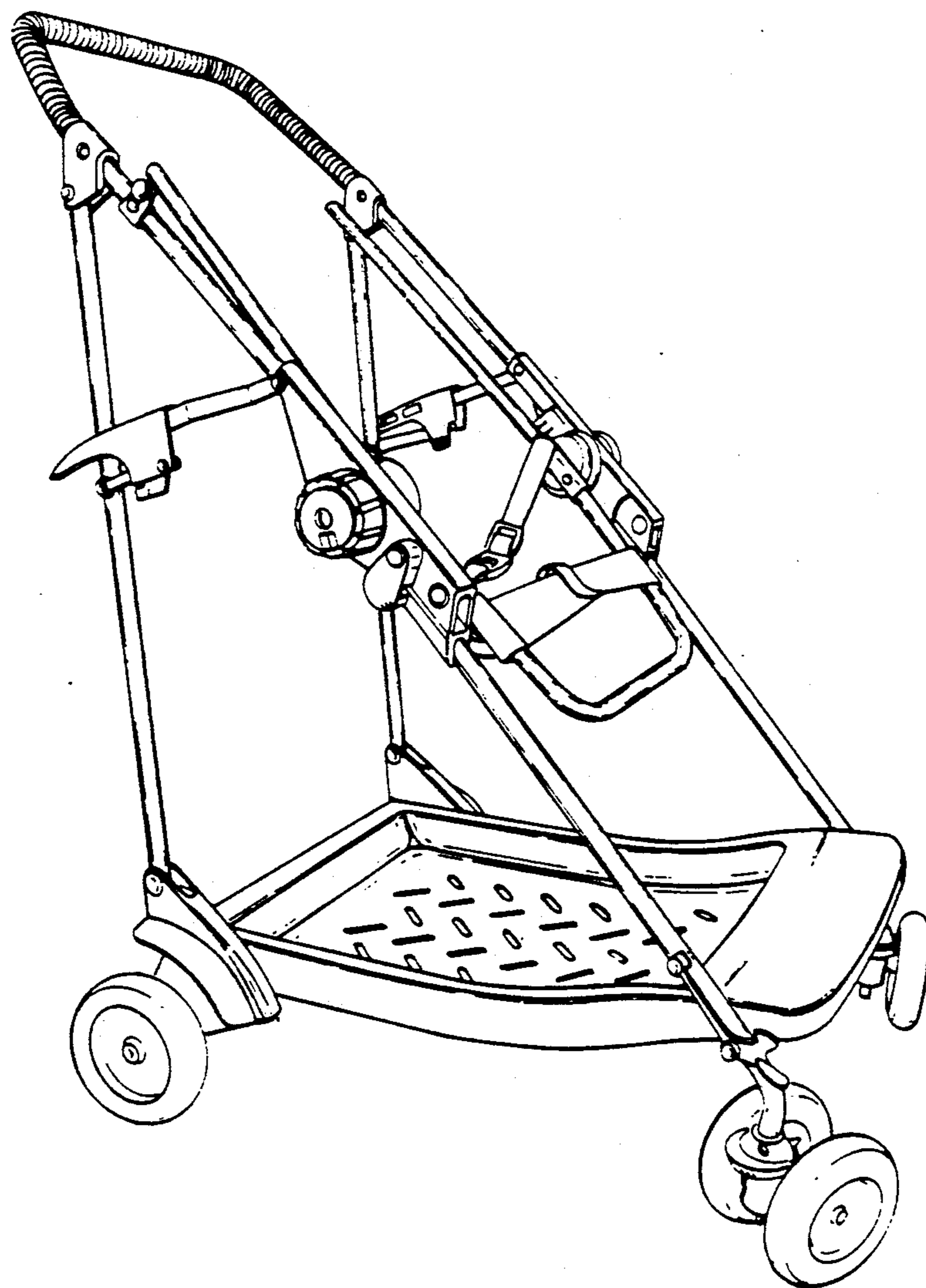
The ornamental design for a carriage for a child, as shown and described.

DESCRIPTION

FIG. 1 is a front and side perspective view of a carriage for a child showing my new design;

FIG. 2 is a front and side perspective view thereof, showing the seat support frame in an alternative position;

FIG. 3 is a front elevational view thereof; and FIG. 4 is a top plan view thereof.



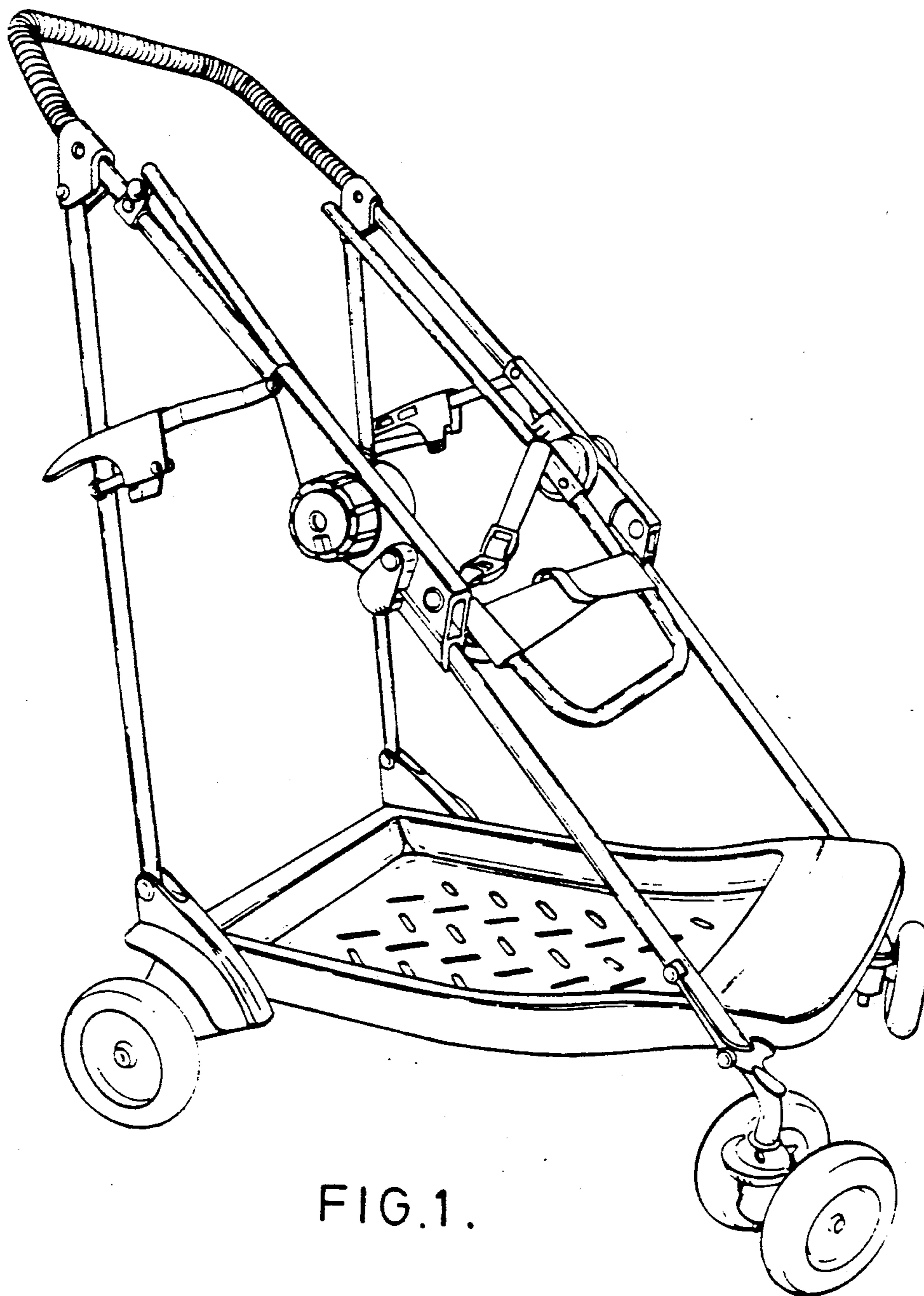


FIG. 1.

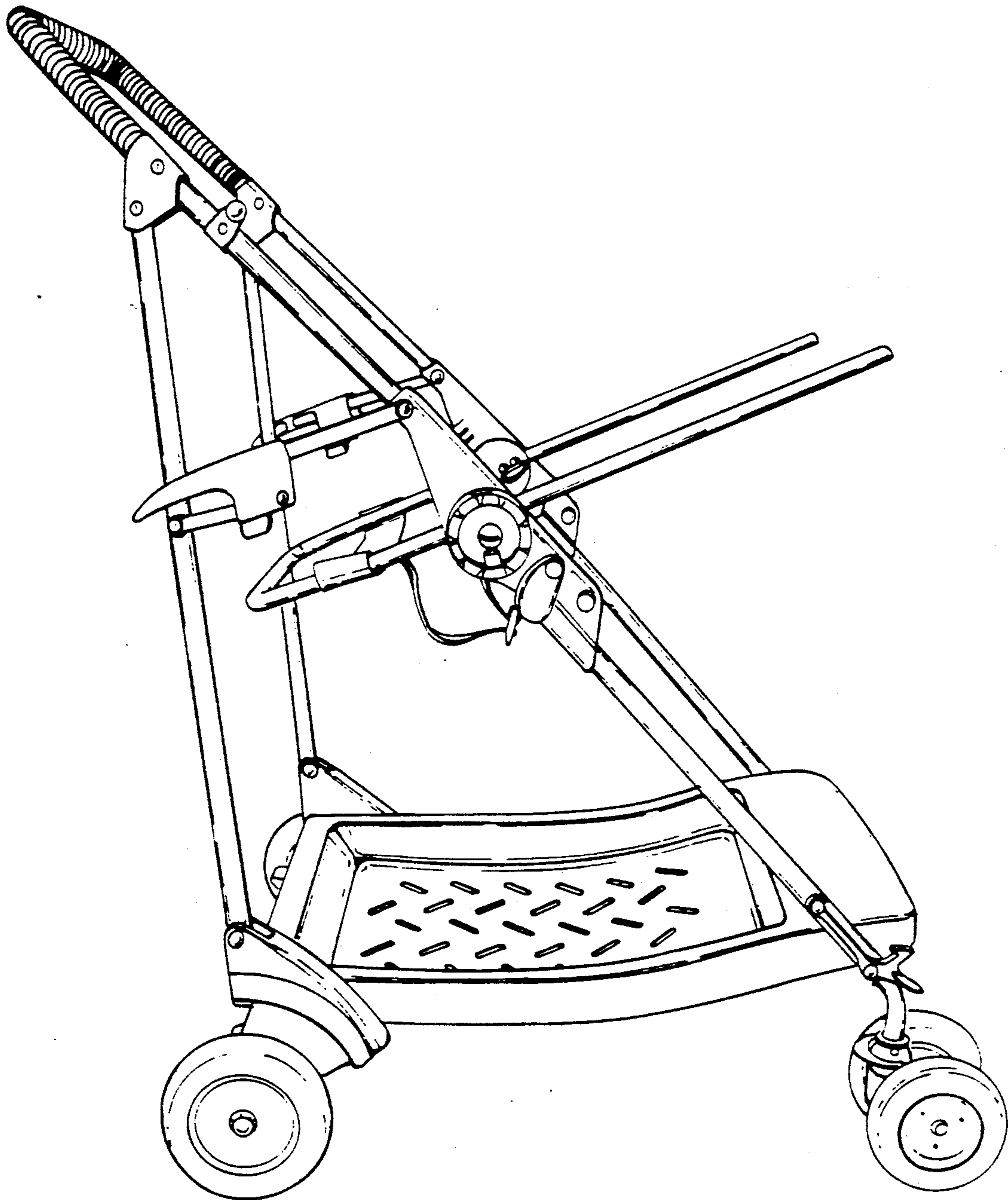


FIG. 2.

FIG. 3

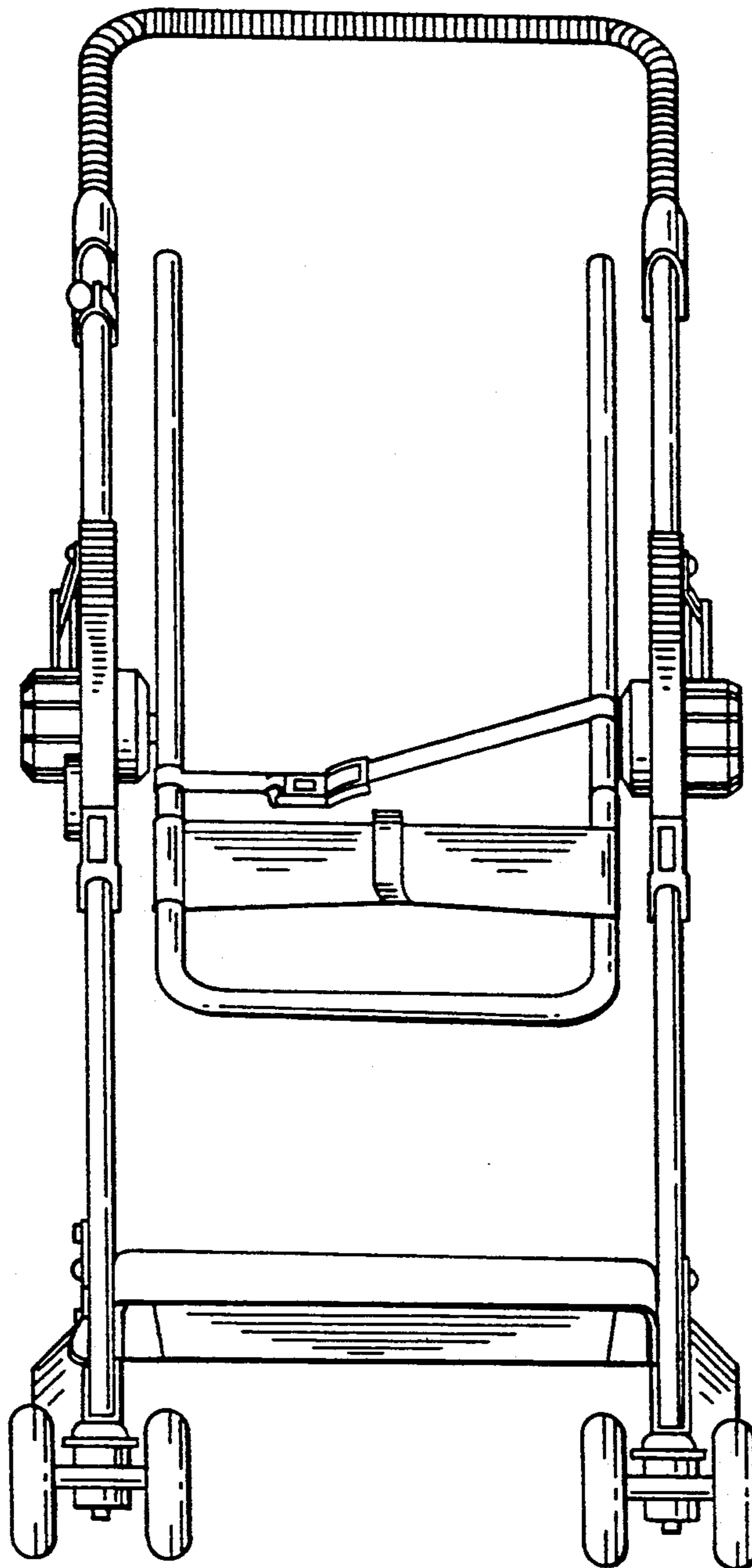


FIG. 4

