

[54] COMBINED PLANTER AND MAILBOX COVER

[76] Inventor: Mark D. White, #50 Greenwood, Fayetteville, Ark. 72701

[\*\*] Term: 14 Years

[21] Appl. No.: 383,886

[22] Filed: Jul. 24, 1989

[52] U.S. Cl. .... D11/144; D11/149; D11/156; D30/108; D99/29; D99/30; D99/31

[58] Field of Search ..... D11/143, 149, 155, 156, D11/144; D99/29-31; D30/108; 47/66, 72; 232/17, 19, 20

[56] References Cited

U.S. PATENT DOCUMENTS

D. 133,114	7/1942	Block	.....	D11/149
D. 312,912	12/1990	Klahre	.....	D11/149
D. 313,105	12/1990	Klahre	.....	D11/143
1,133,836	3/1915	Bolger	.....	D11/156

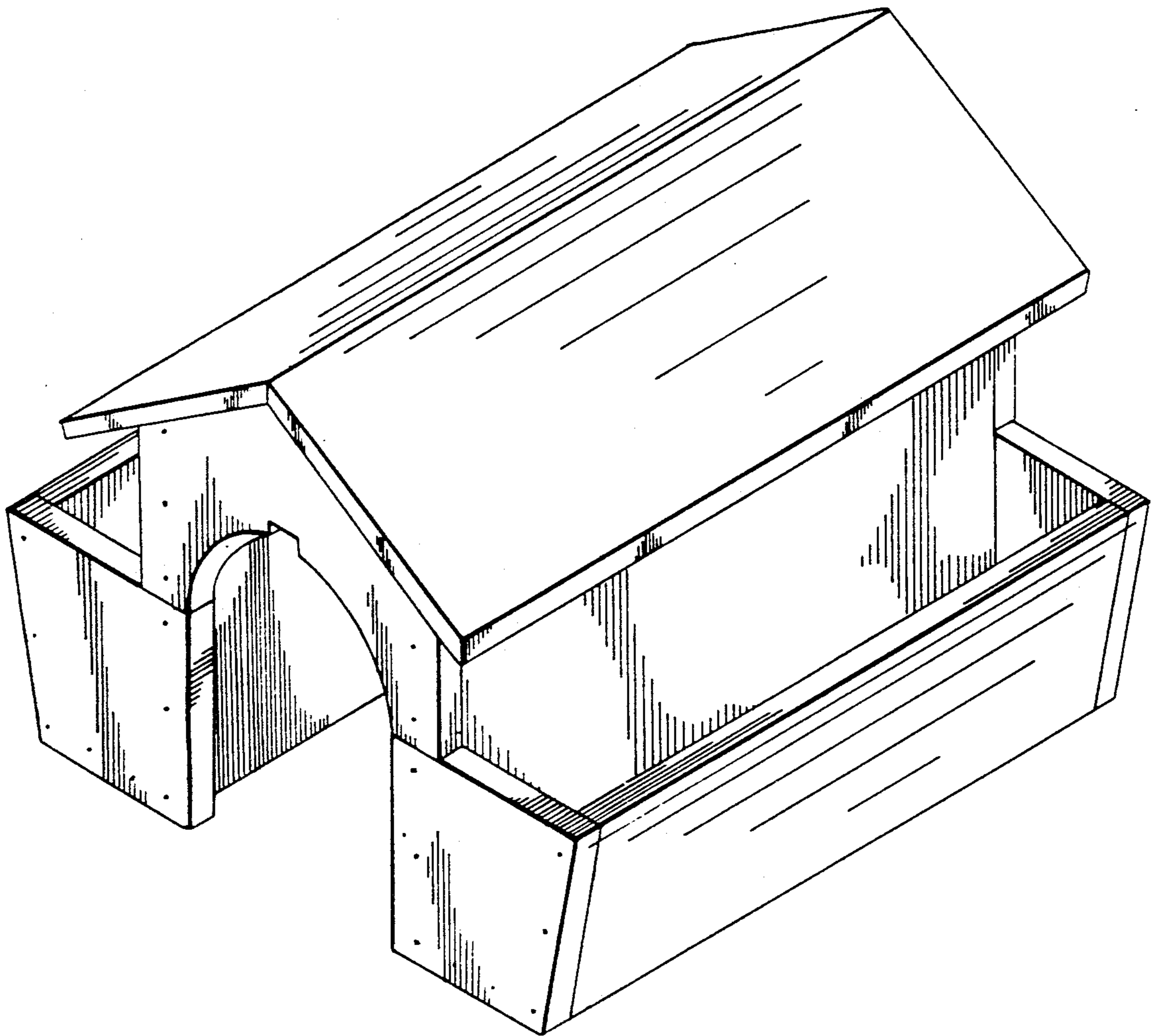
Primary Examiner—B. J. Bullock  
Attorney, Agent, or Firm—Robert R. Keegan

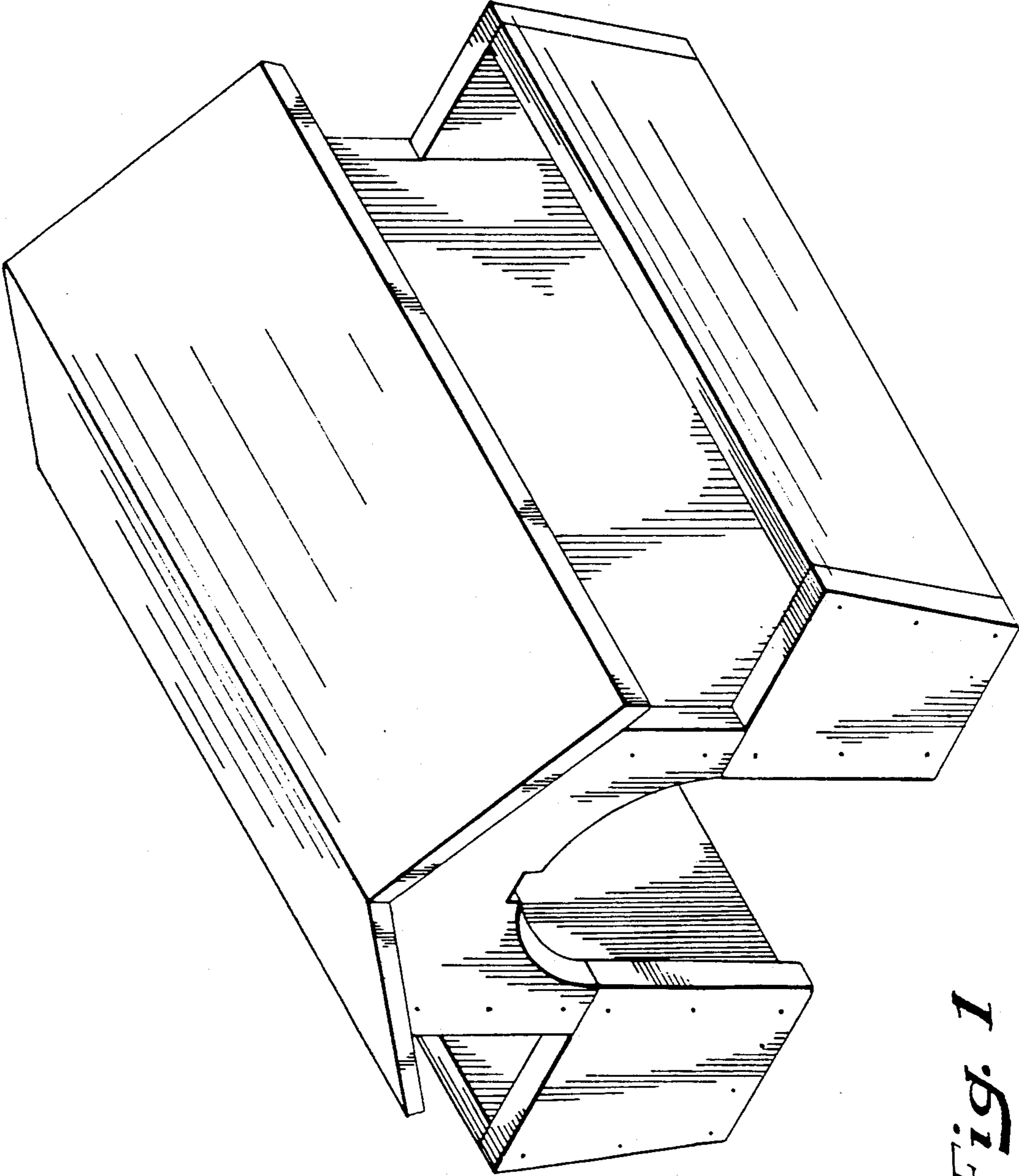
[57] CLAIM

The ornamental design for a combined planter and mailbox cover, as shown.

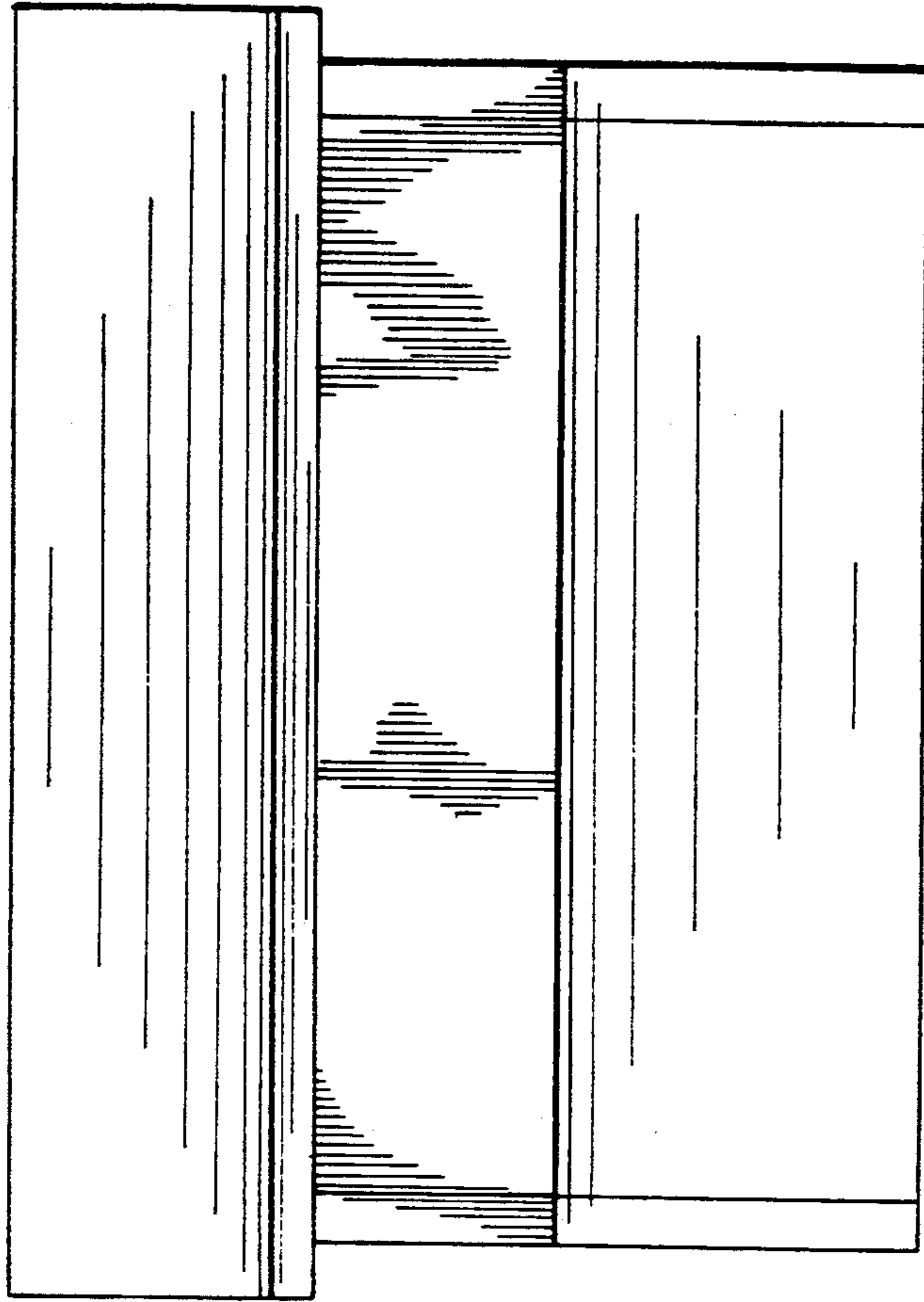
DESCRIPTION

FIG. 1 is an isometric view of a combined planter and mailbox cover showing my new design; FIG. 2 is a rear elevational view thereof; FIG. 3 is a side elevational view thereof; FIG. 4 is a bottom plan view thereof; FIG. 5 is a top plan view thereof.

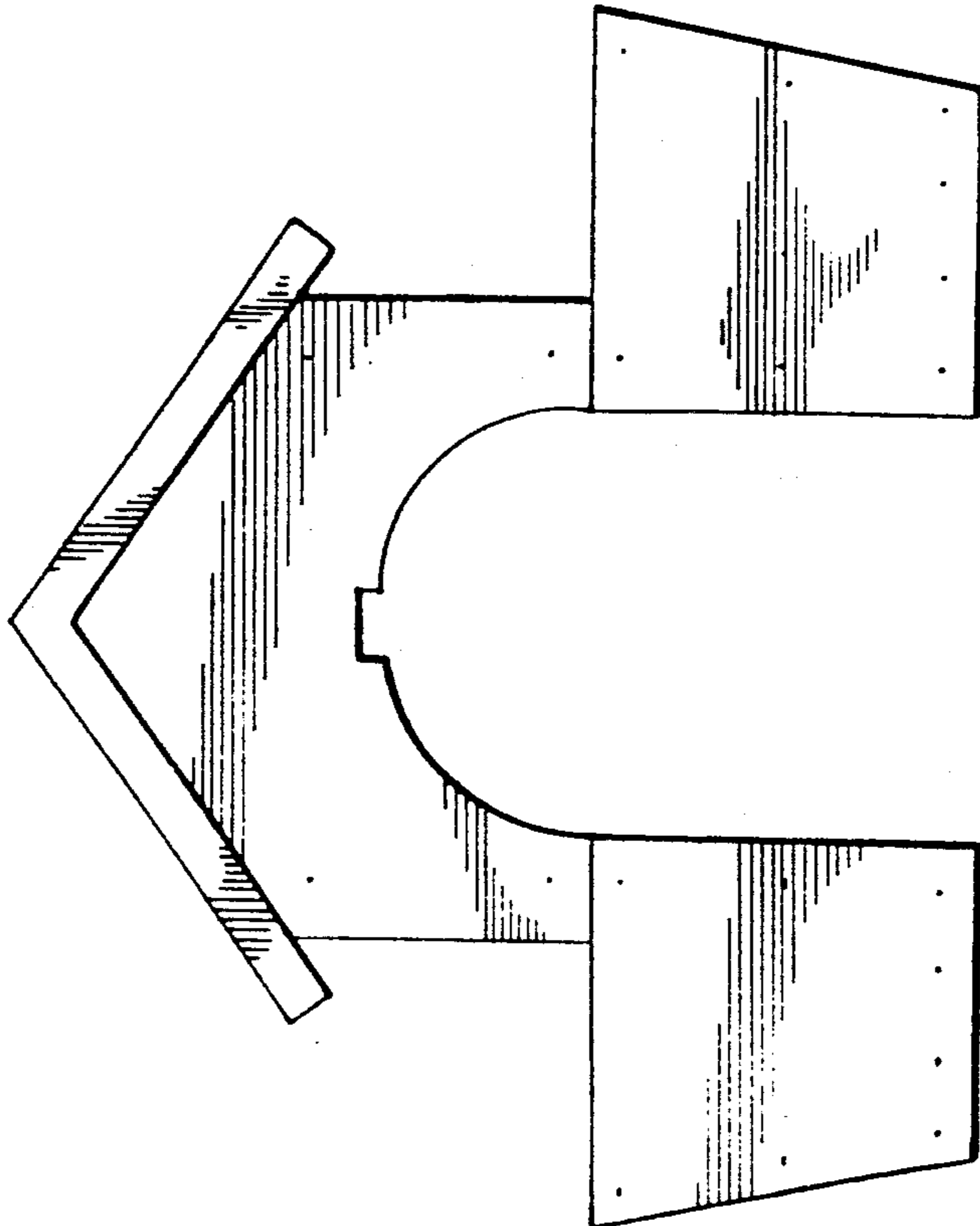




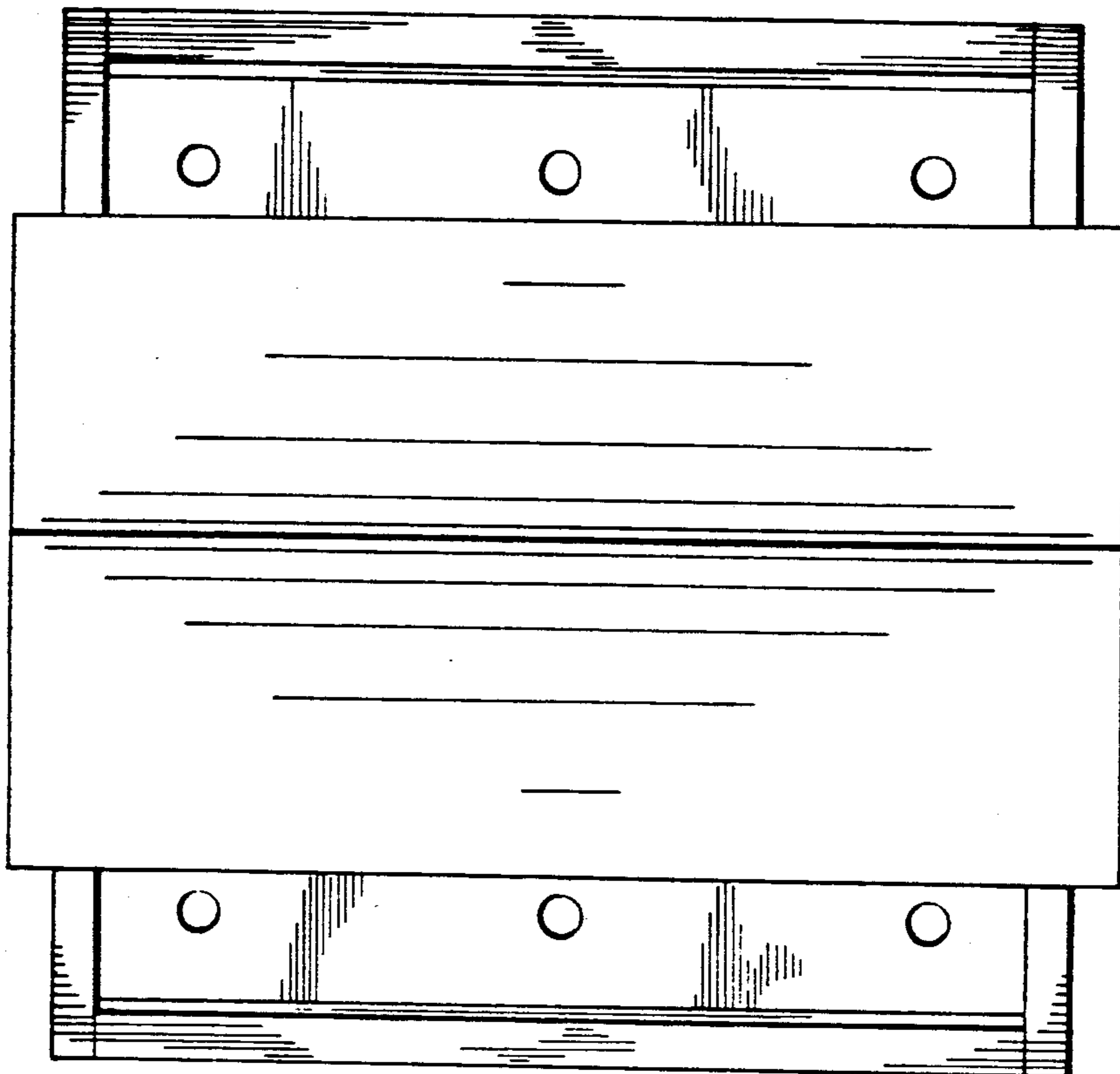
*Fig. 1*



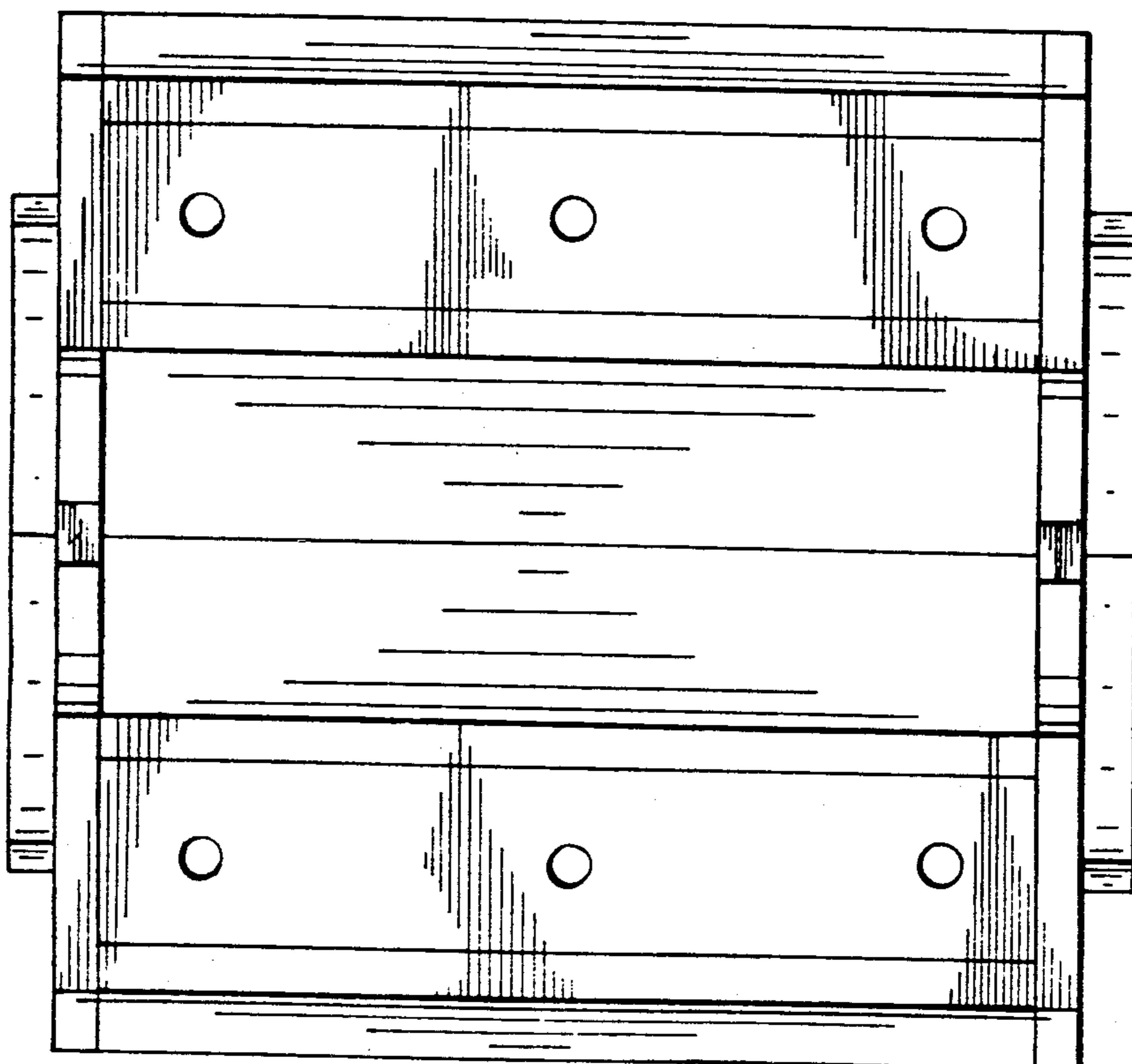
*Fig. 3*



*Fig. 2*



*Fig. 5*



*Fig. 4*