

[54] MEDICINE CONTAINER

[75] Inventor: Rolland Eaton, Dayton, Ohio

[73] Assignee: Eaton Forms Corporation, Dayton, Ohio

[**] Term: 14 Years

[21] Appl. No.: 442,682

[22] Filed: Nov. 29, 1989

[52] U.S. Cl. D9/429; D9/425

[58] Field of Search D9/425, 429, 424, 414; 206/438, 557, 563, 564, 828; 220/670, 672, 669, 675, 651, 659, 662, 671

[56] References Cited

U.S. PATENT DOCUMENTS

- D. 275,886 10/1984 Sheward et al. D9/425 X
- D. 296,191 6/1988 Yoshida et al. D9/425
- 3,005,572 10/1961 Gustafson et al. 220/671
- 3,349,985 10/1967 Salway 206/521 X
- 3,680,735 8/1972 Lucas 220/675 X
- 3,710,975 1/1973 Jansen 220/339

- 4,697,703 10/1987 Will 206/828 X
- 4,860,899 8/1989 McKee .
- 4,889,236 12/1989 Bartell et al. .
- 4,911,083 3/1990 Considine 206/562 X

FOREIGN PATENT DOCUMENTS

2327206 12/1974 Fed. Rep. of Germany .

Primary Examiner—Bernard Ansher
Assistant Examiner—Prabhakar Deshmukh
Attorney, Agent, or Firm—Jacox & Meckstroth

[57] CLAIM

The ornamental design for medicine container, as shown and described.

DESCRIPTION

FIG. 1 is a perspective view of a medicine container showing my new design;
FIG. 2 is a left side elevation thereof; the right side elevation being a mirror image thereof;
FIG. 3 is a front elevation thereof; the rear elevation being a mirror image thereof;
FIG. 4 is a top plan view thereof; and
FIG. 5 is a bottom plan view thereof.

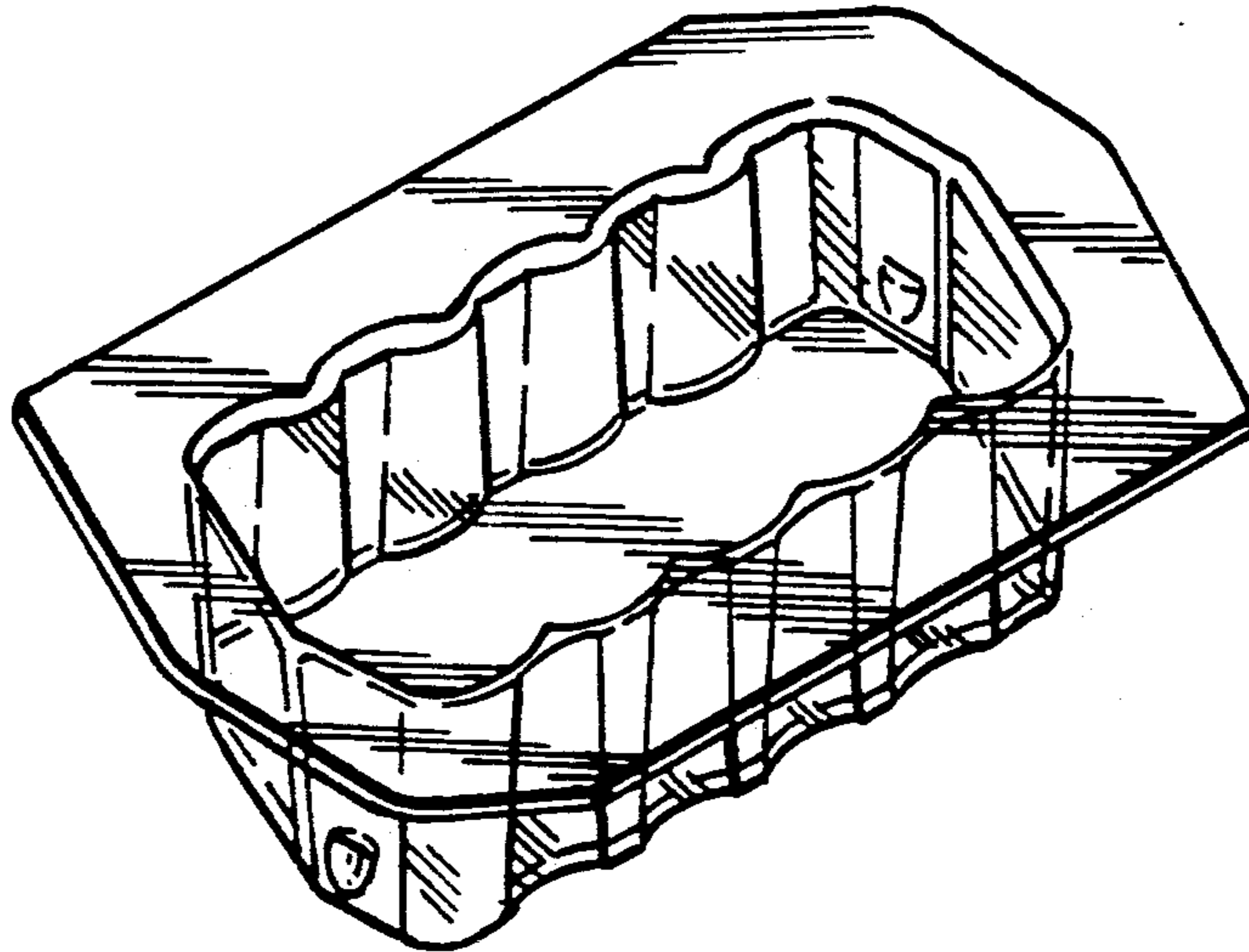


FIG-1

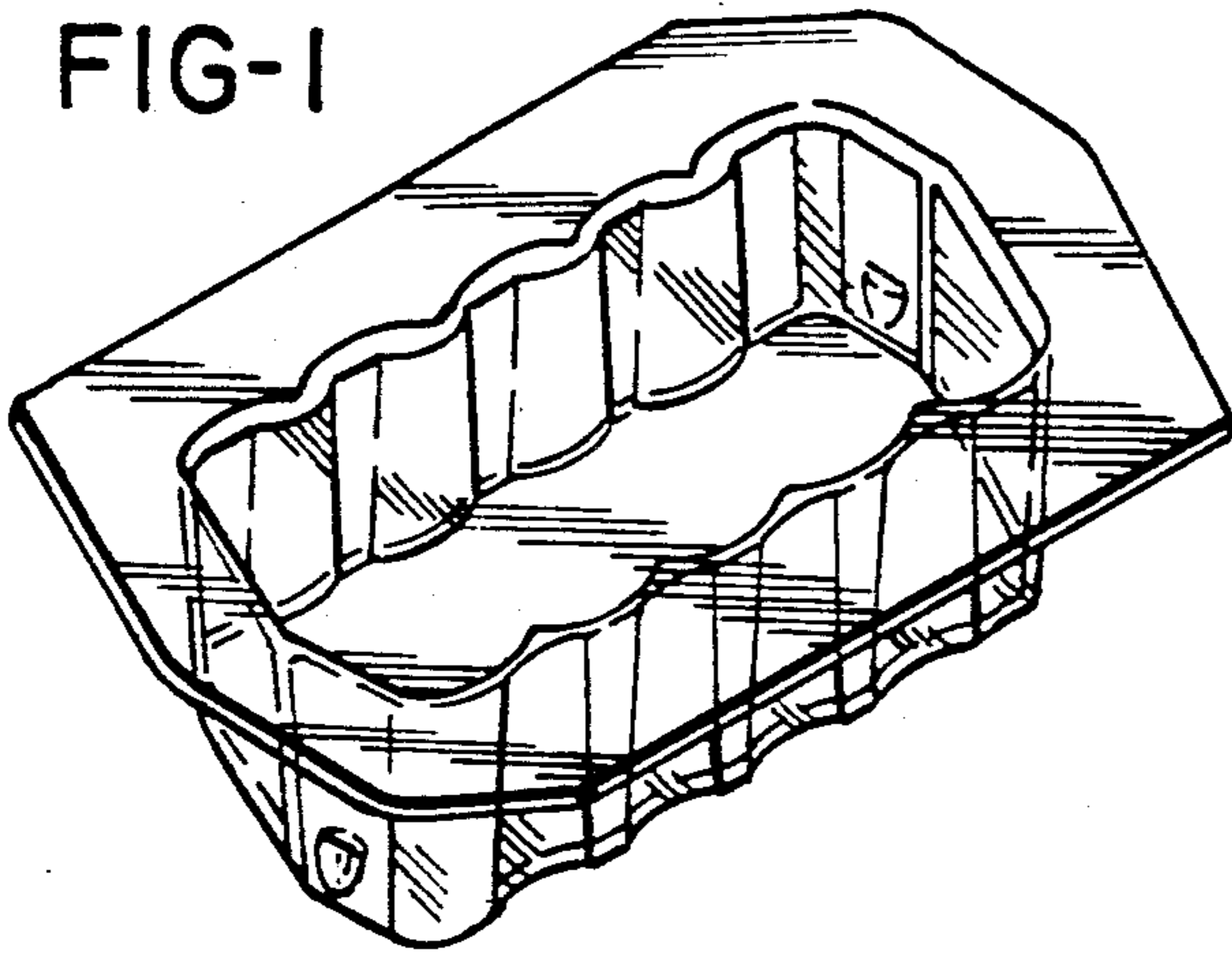


FIG-2

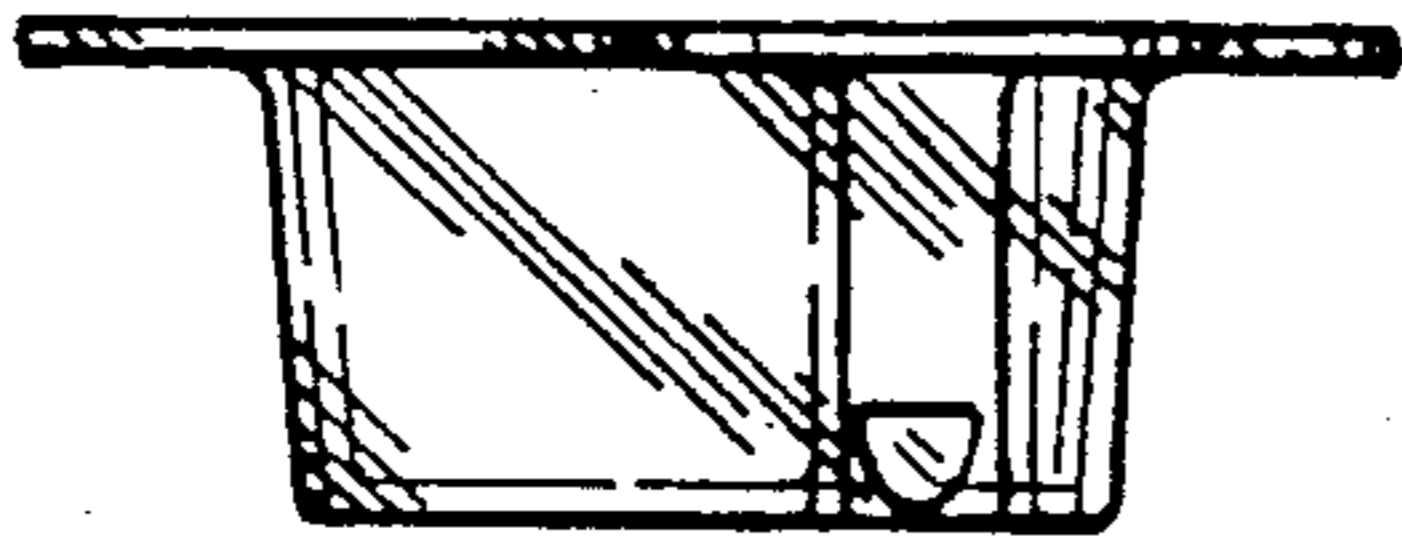


FIG-3

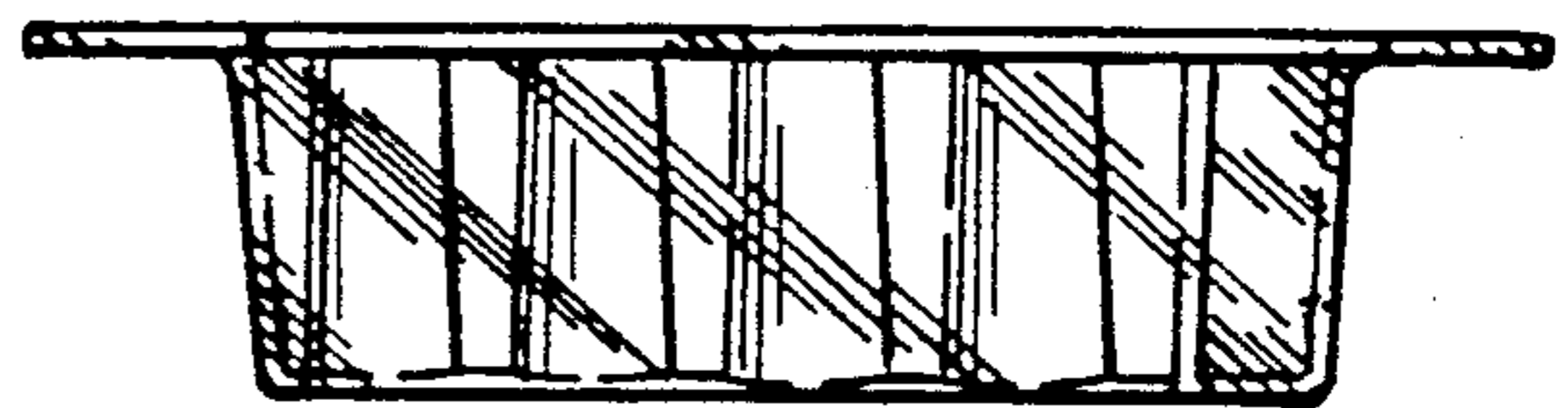


FIG-4

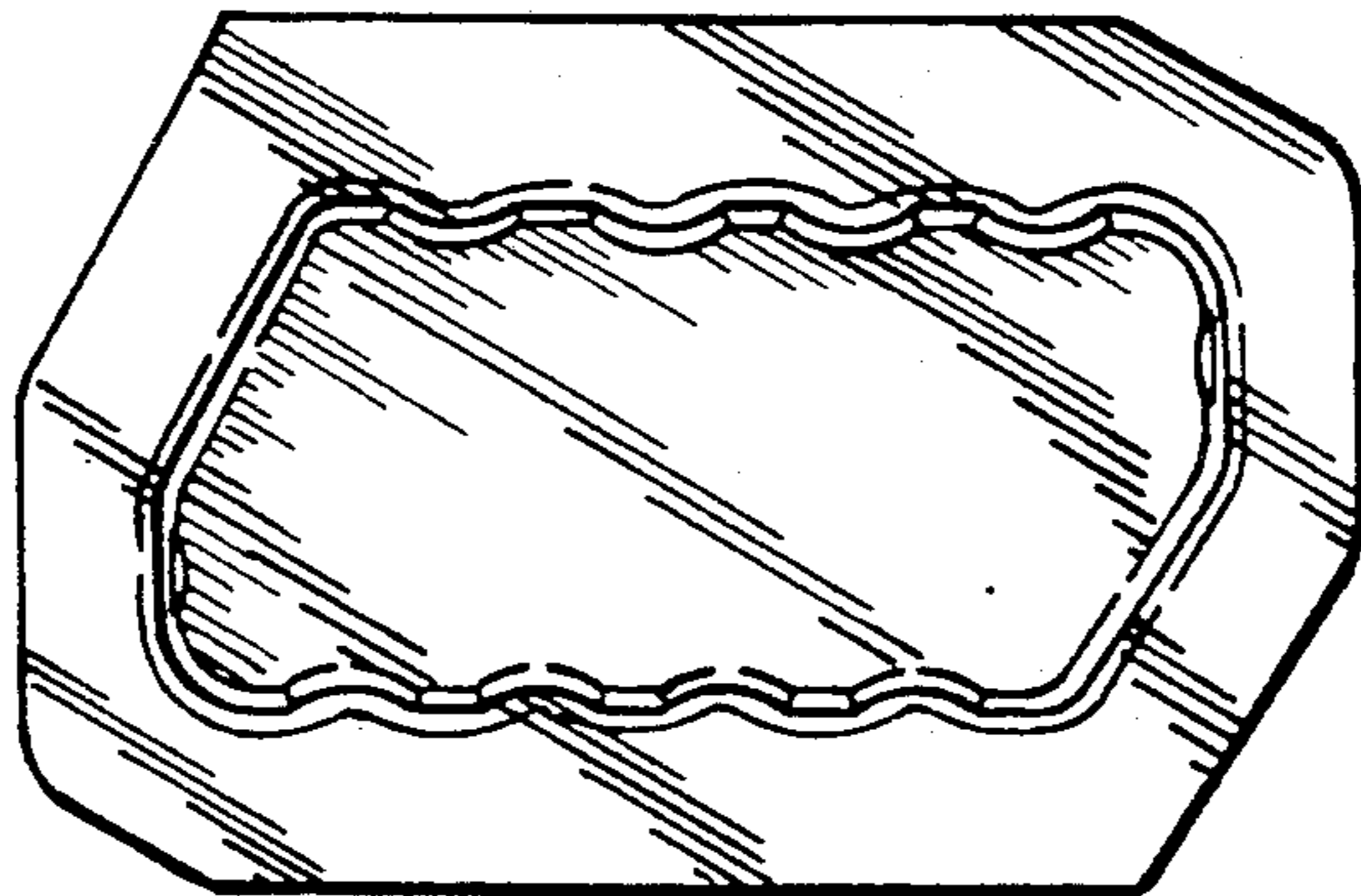


FIG-5

