

[54] SPRING CLAMP

[75] Inventors: Roderick L. Nimtz, Garrettsville; Vincent B. Cetrone, Warren, both of Ohio

[73] Assignee: Warren Tool Corporation, Hiram, Ohio

[**] Term: 14 Years

[21] Appl. No.: 471,713

[22] Filed: Jan. 29, 1990

[52] U.S. Cl. D8/395; D32/64

[58] Field of Search D8/395; D32/61, 64; 24/500, 502, 507, 508, 509, 510, 511; D6/326, 328; 362/396

[56] References Cited

U.S. PATENT DOCUMENTS

| | | | |
|------------|---------|----------------------|---------|
| D. 317,116 | 5/1991 | Nimtz | D8/395 |
| 1,358,560 | 11/1920 | Kennison | 24/507 |
| 1,777,003 | 9/1930 | Kollath | 362/396 |
| 2,667,678 | 2/1954 | Hargrave et al. | 24/510 |
| 3,239,902 | 3/1966 | Cohen | 24/507 |
| 4,020,530 | 5/1977 | Sartore | D8/395 |

Primary Examiner—B. J. Bullock
Attorney, Agent, or Firm—Lackenbach Siegel Marzullo & Aronson

[57] CLAIM

The ornamental design for spring clamp, as shown and described.

DESCRIPTION

FIG. 1 is a perspective view of a spring clamp showing our new design;
 FIG. 2 is a top plan view thereof, the bottom being identical;
 FIG. 3 is a front elevational view thereof;
 FIG. 4 is a right end elevational view thereof;
 FIG. 5 is a rear elevational view thereof;
 FIG. 6 is a left end elevational view thereof;
 FIG. 7 is a perspective view of a second embodiment of the design of FIG. 1;
 FIG. 8 is a top plan view of FIG. 7, the bottom being identical;
 FIG. 9 is a front elevational view of FIG. 7;
 FIG. 10 is a right end elevational view of FIG. 7;
 FIG. 11 is a rear elevational view of FIG. 7;
 FIG. 12 is a left end elevational view of FIG. 7.

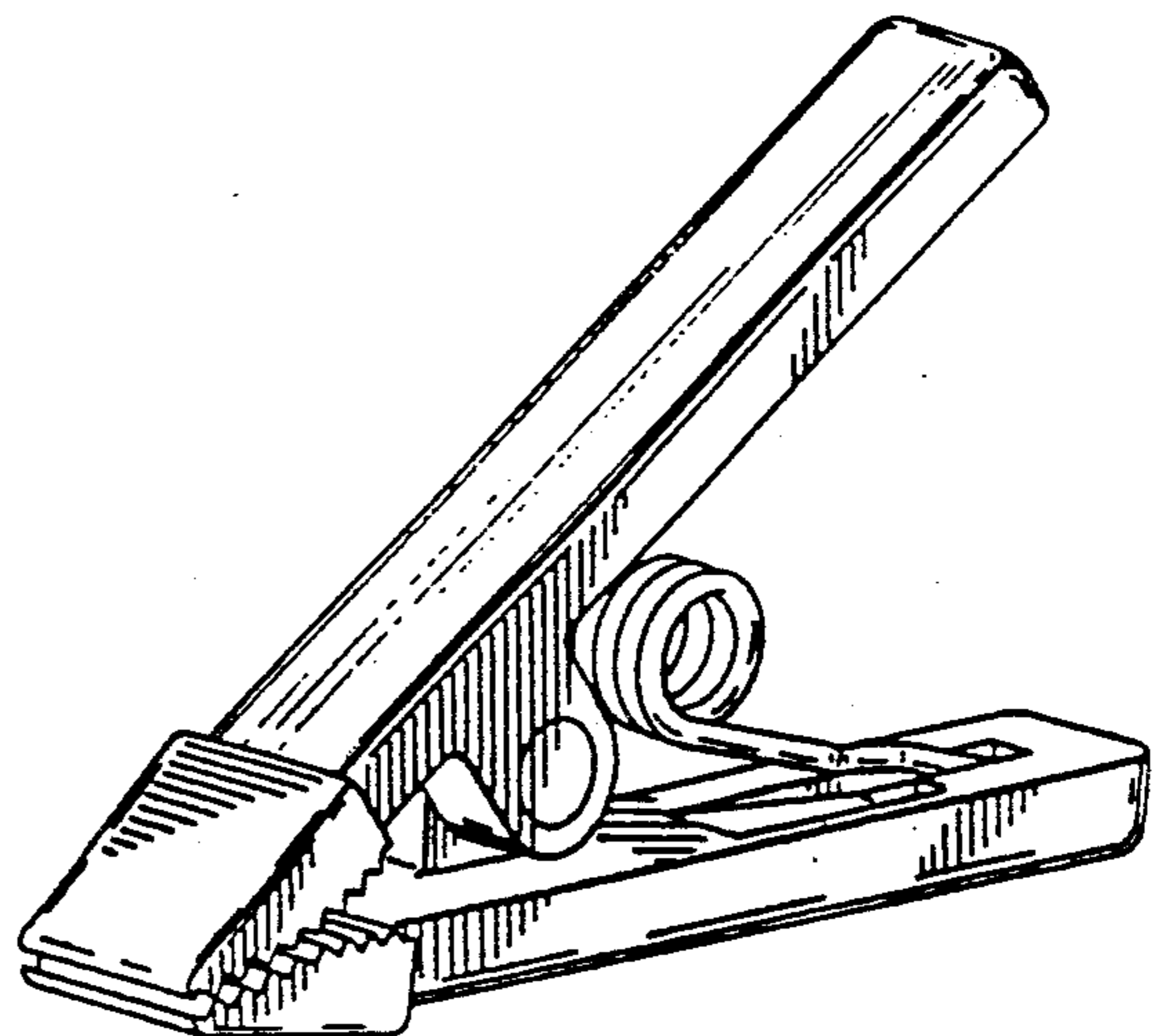
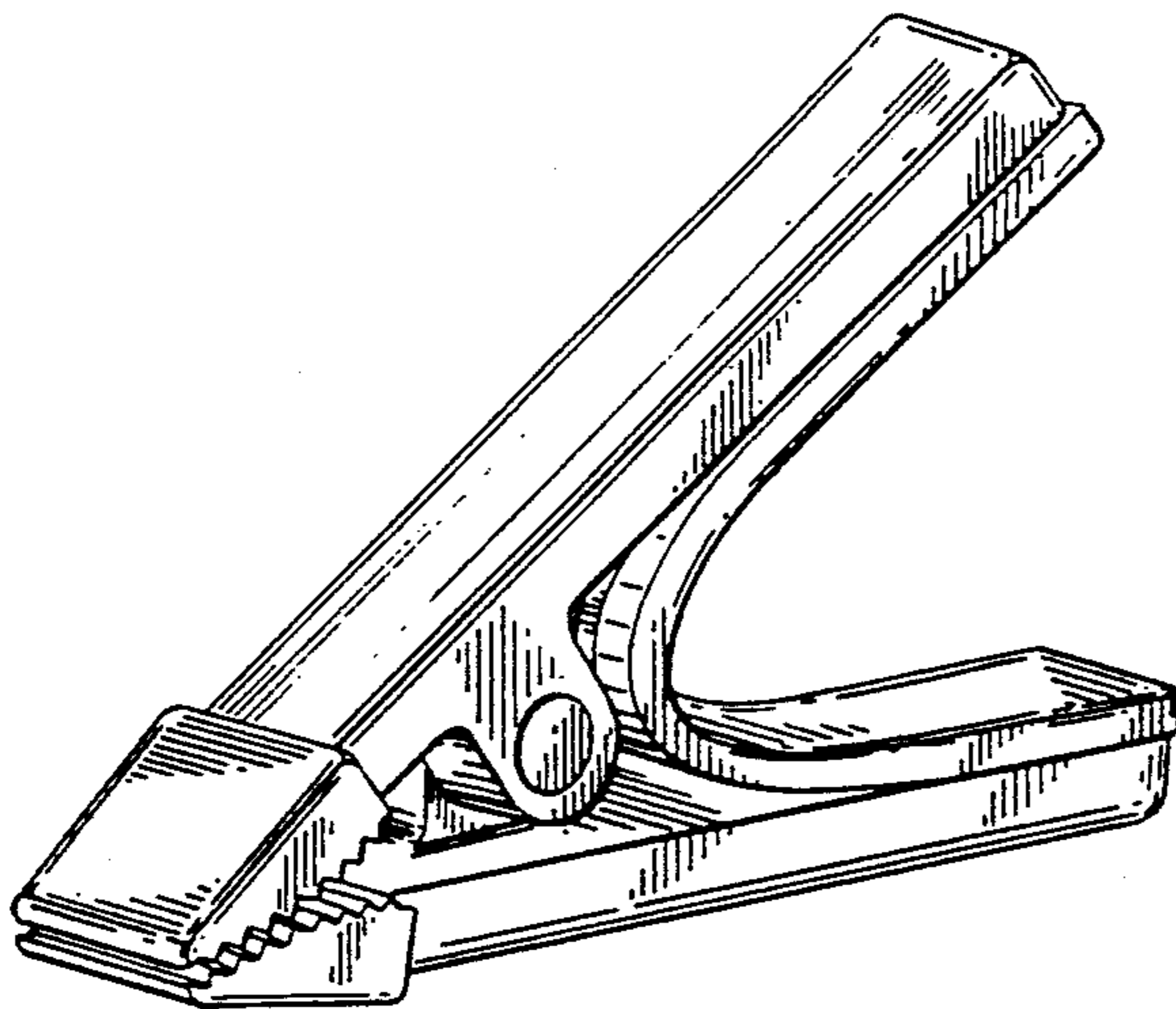


FIG. 1

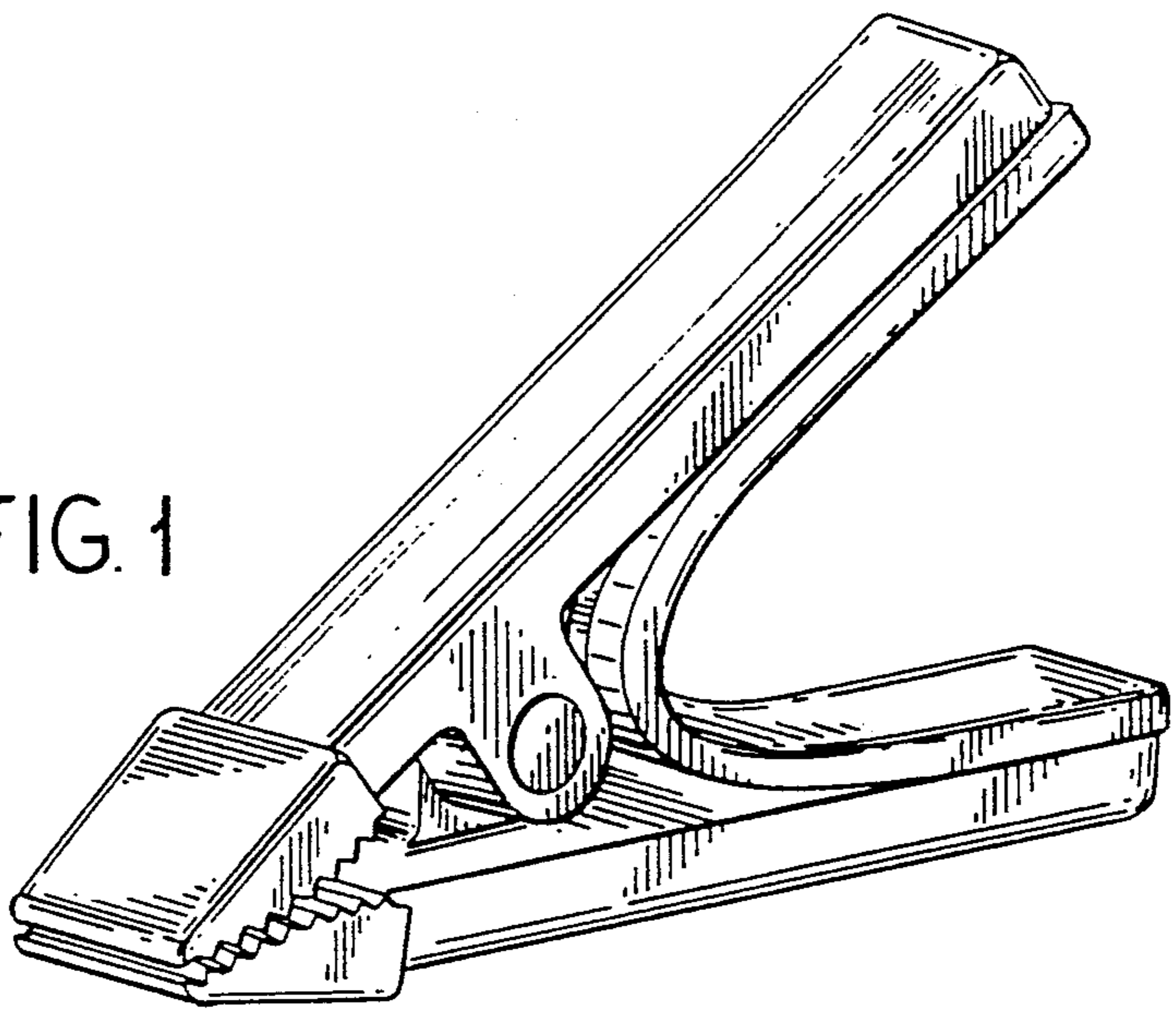


FIG. 2

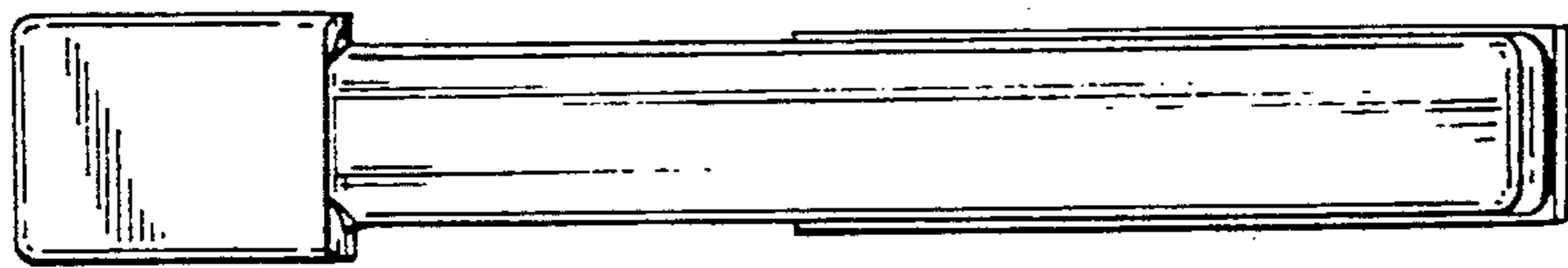


FIG. 3

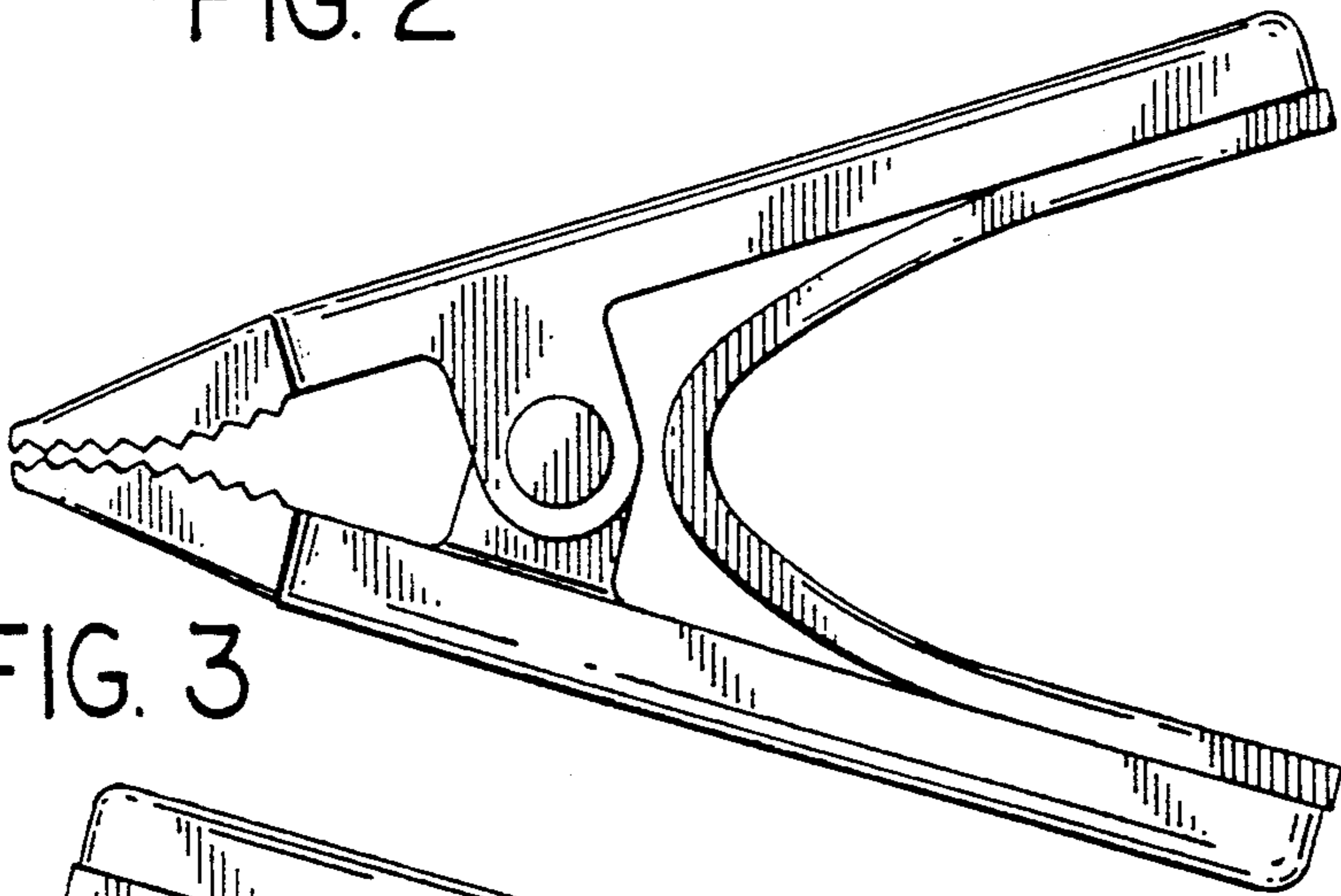


FIG. 4

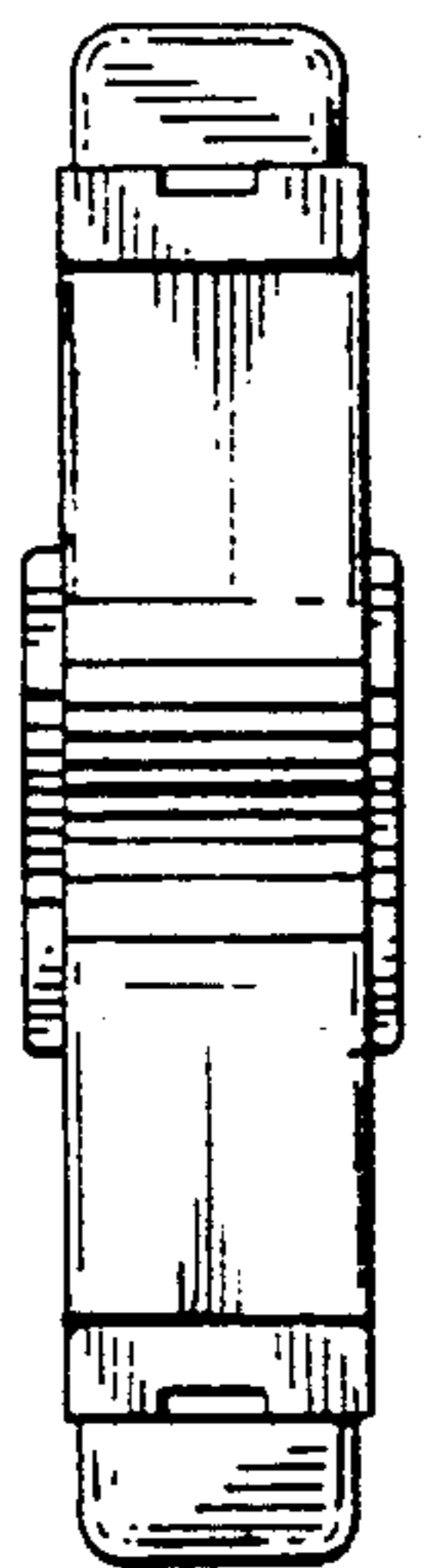


FIG. 5

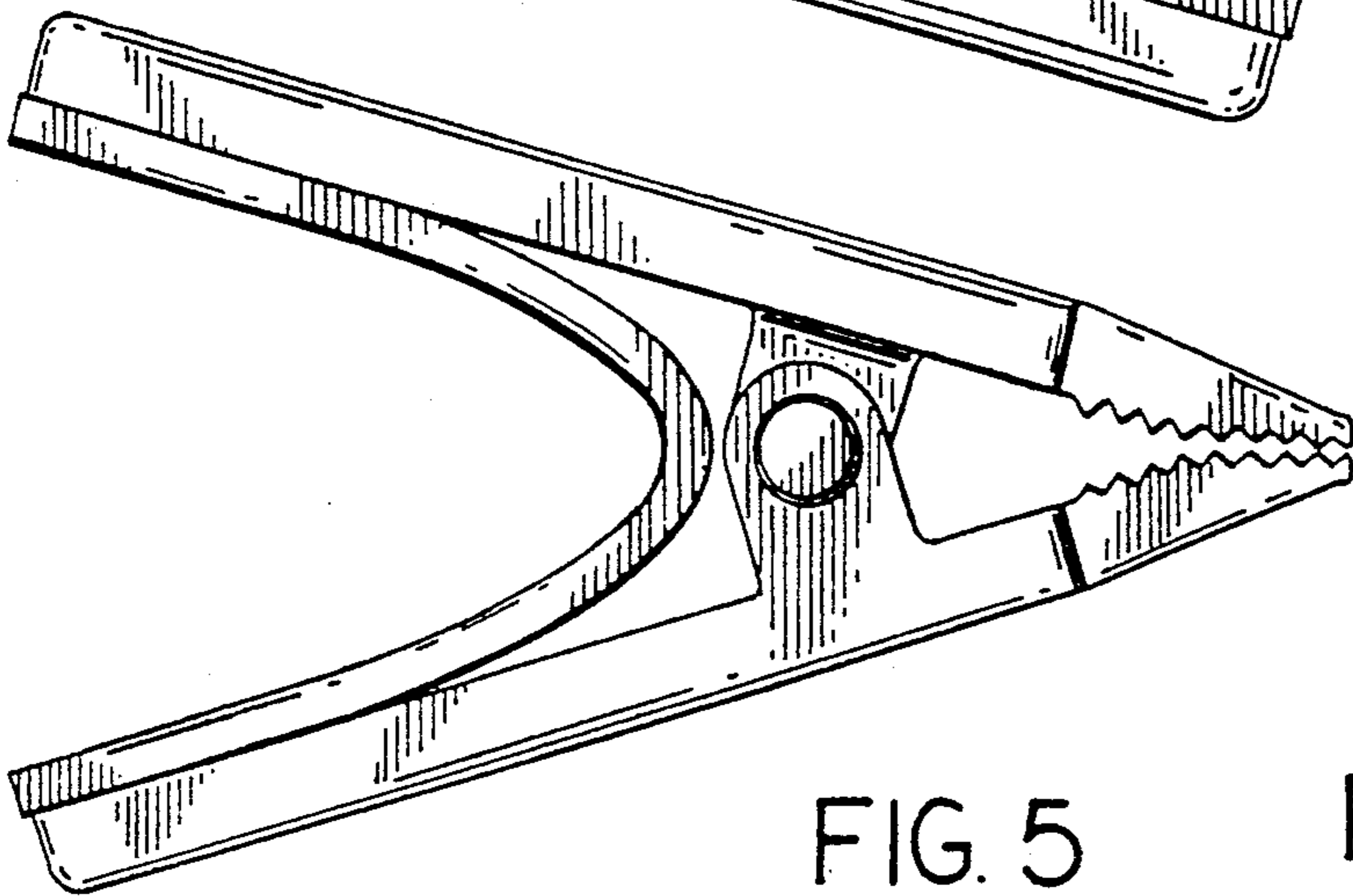
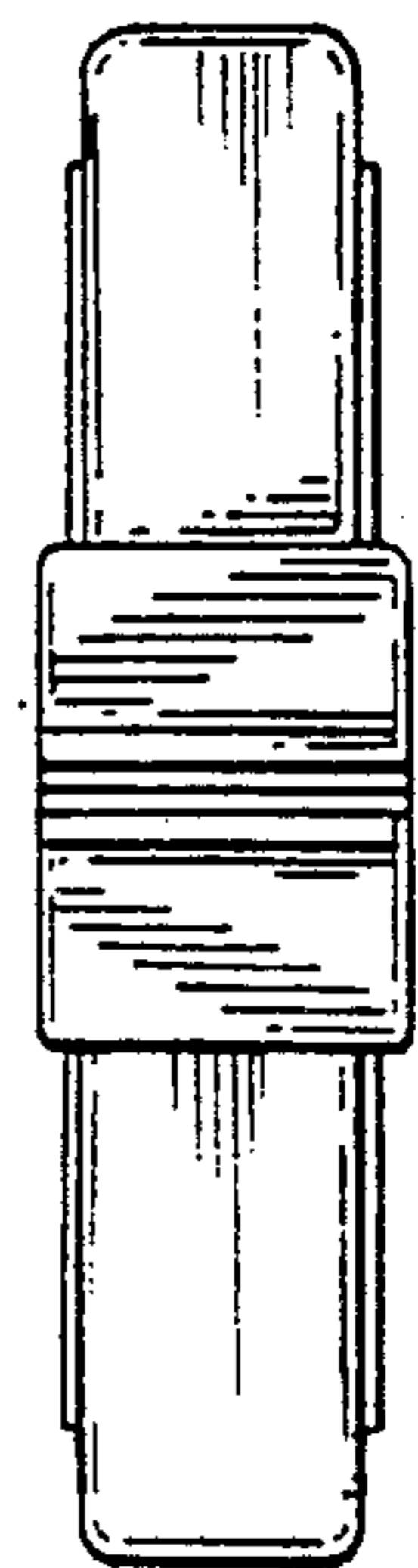


FIG. 6



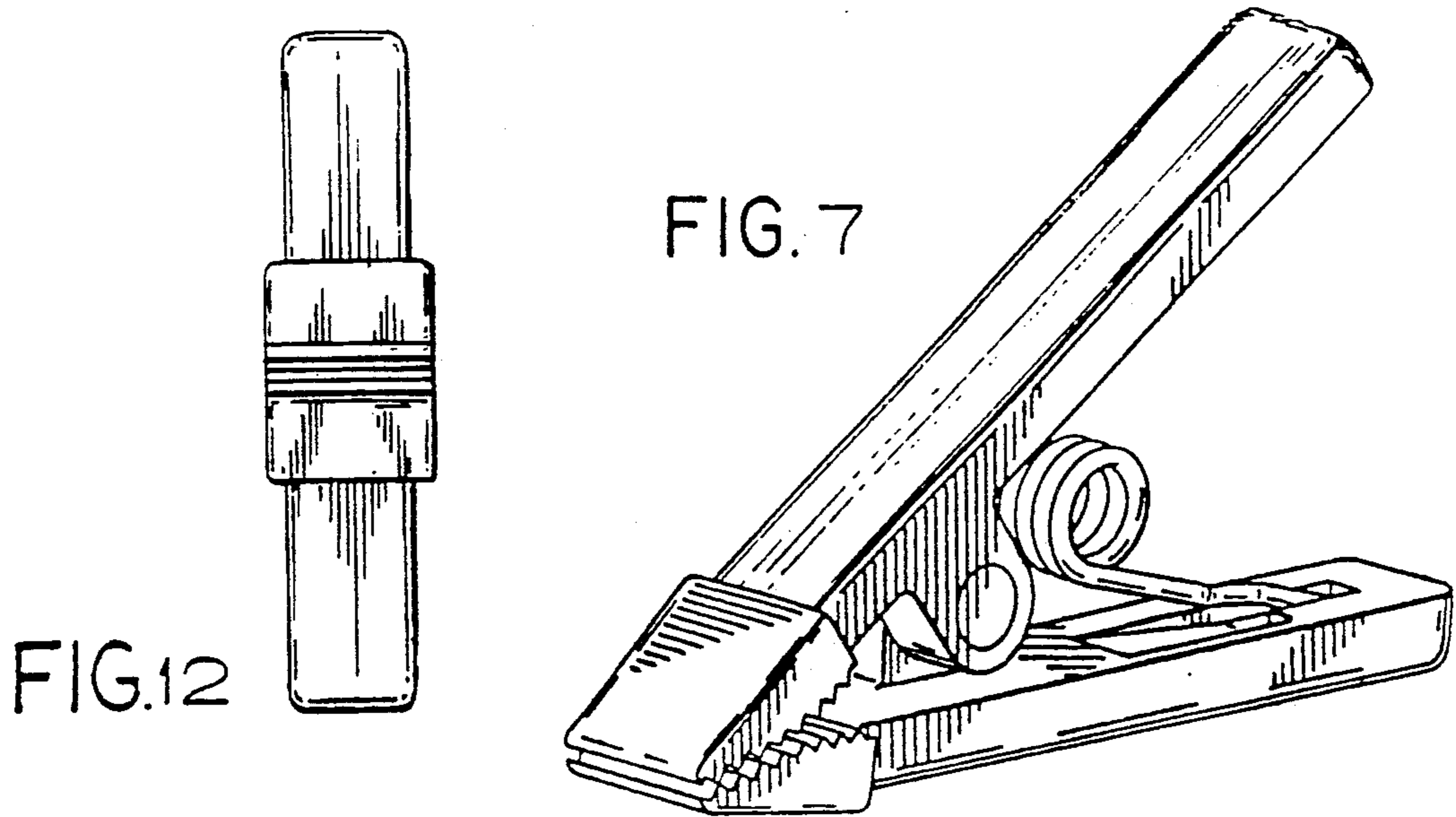


FIG. 8

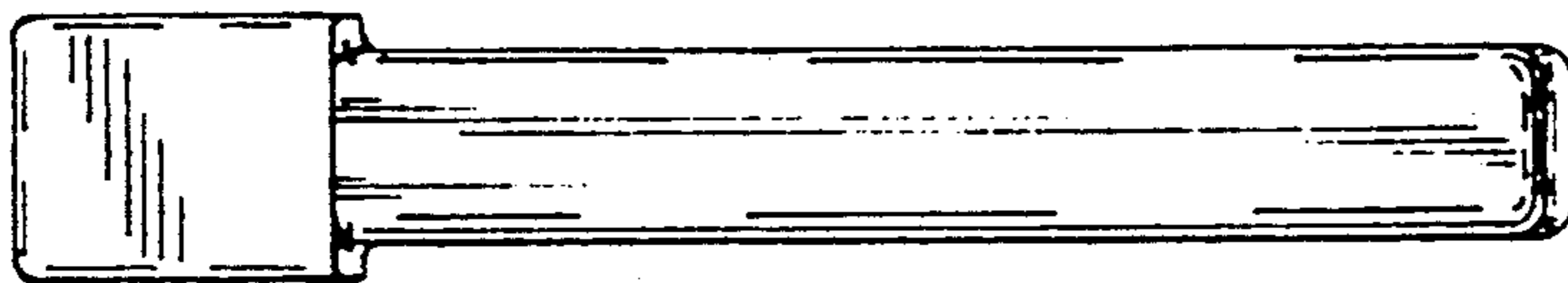


FIG. 9

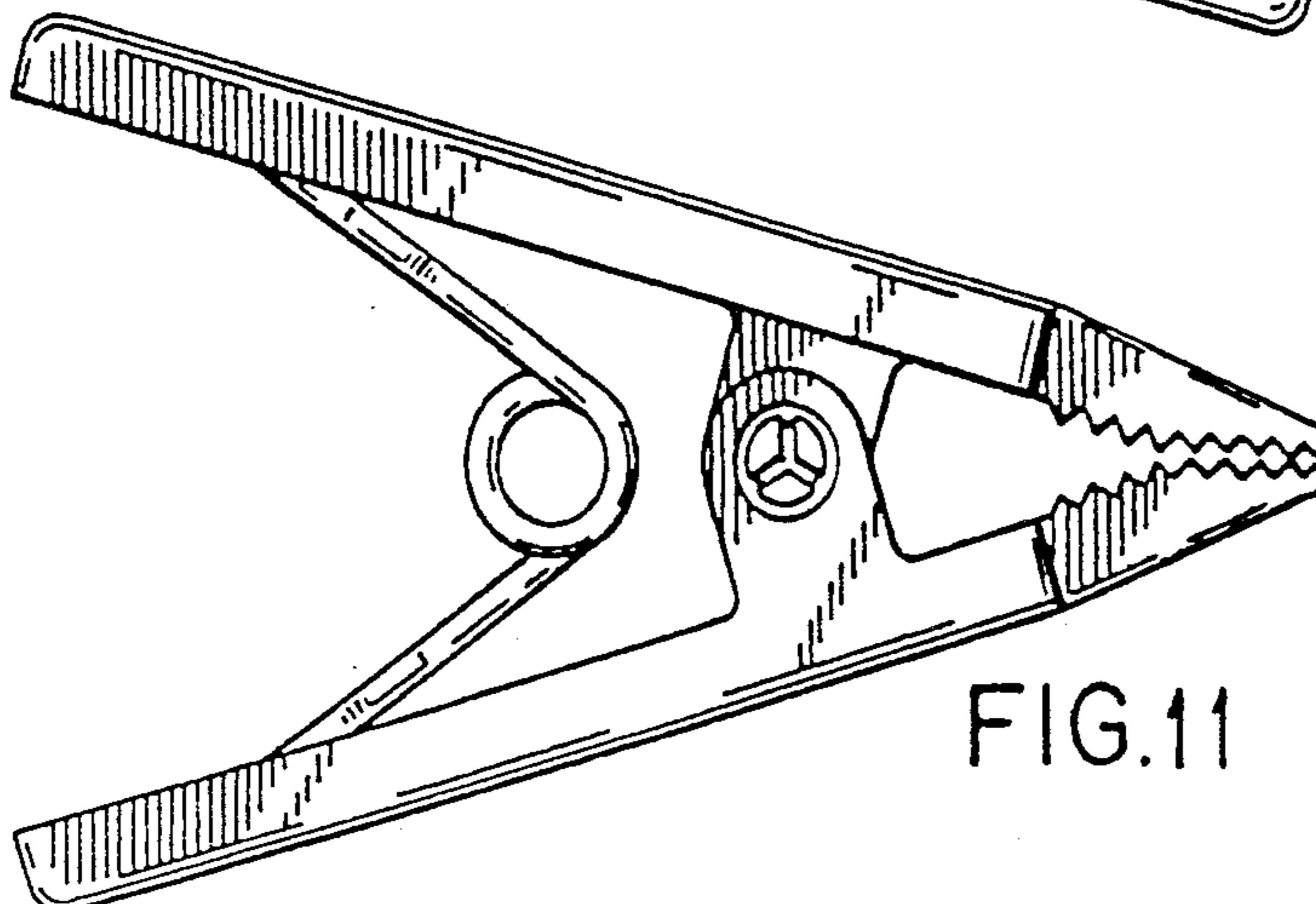
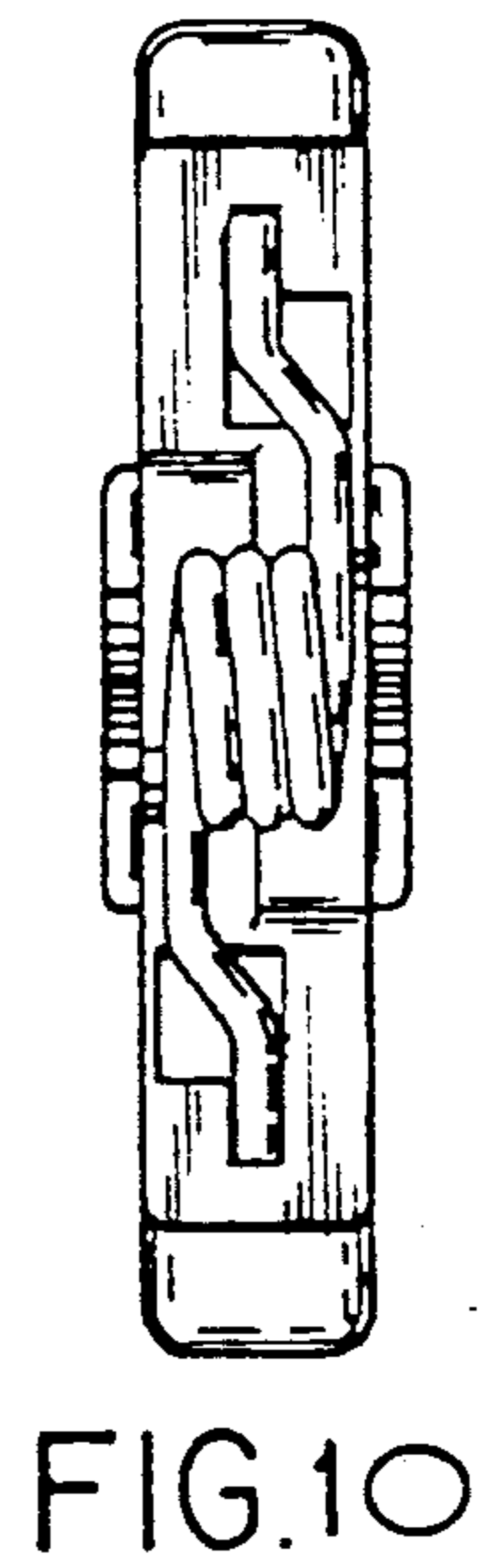
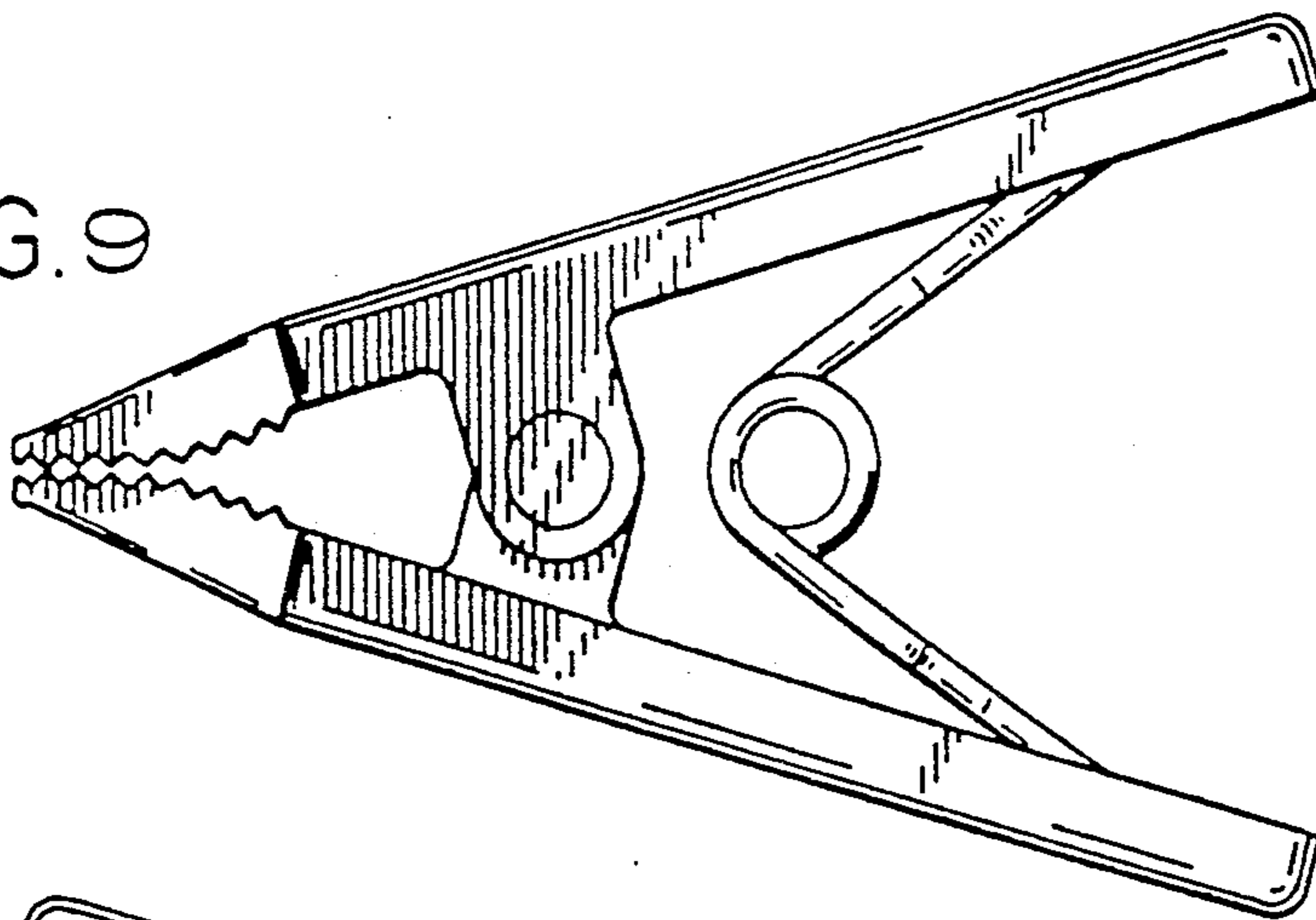


FIG. 11

FIG. 10