

[54] CLIP HOLDER FOR WIRE OR SIMILAR ARTICLE

[75] Inventor: Stanley Harmon, New York, N.Y.

[73] Assignee: YSS, Inc., New York, N.Y.

[\*\*] Term: 14 Years

[21] Appl. No.: 376,347

[22] Filed: Jul. 6, 1989

[52] U.S. Cl. .... D8/380; D8/396; D8/371

[58] Field of Search ..... D8/371, 373, 380, 367, D8/396; D3/54; 248/301

[56] References Cited

U.S. PATENT DOCUMENTS

D. 25,647	6/1896	Willow	.....	D8/380 X
D. 211,128	5/1968	Gelles	.....	D8/371
D. 224,084	7/1972	Gaffney	.....	D8/371 X
D. 247,216	2/1978	Mathews	.....	D8/371 X
D. 251,124	2/1979	Takeuchi	.....	D8/371 X
D. 262,842	2/1982	Morey	.....	D8/371 X
D. 272,412	1/1984	Shanklin	.....	D8/371 X
D. 295,521	3/1988	Mockett	.....	D8/396 X
D. 300,972	5/1989	Streno	.....	D8/380 X
D. 308,935	7/1990	Leatherman	.....	D8/396 X
915,494	3/1909	Smith	.....	248/301 X
1,856,847	5/1932	Gates	.....	248/301 X
2,157,788	5/1939	Howell	.....	248/301 X

2,455,968	12/1948	Baker	.....	D3/54 X
2,661,098	12/1953	Wannop	.....	248/301 X
3,181,827	5/1965	Sassin	.....	248/301 X
3,871,524	3/1975	Holt	.....	248/301 X
4,121,800	10/1978	McClellan	.....	248/301 X
4,736,917	4/1988	Thuresson	.....	248/301 X

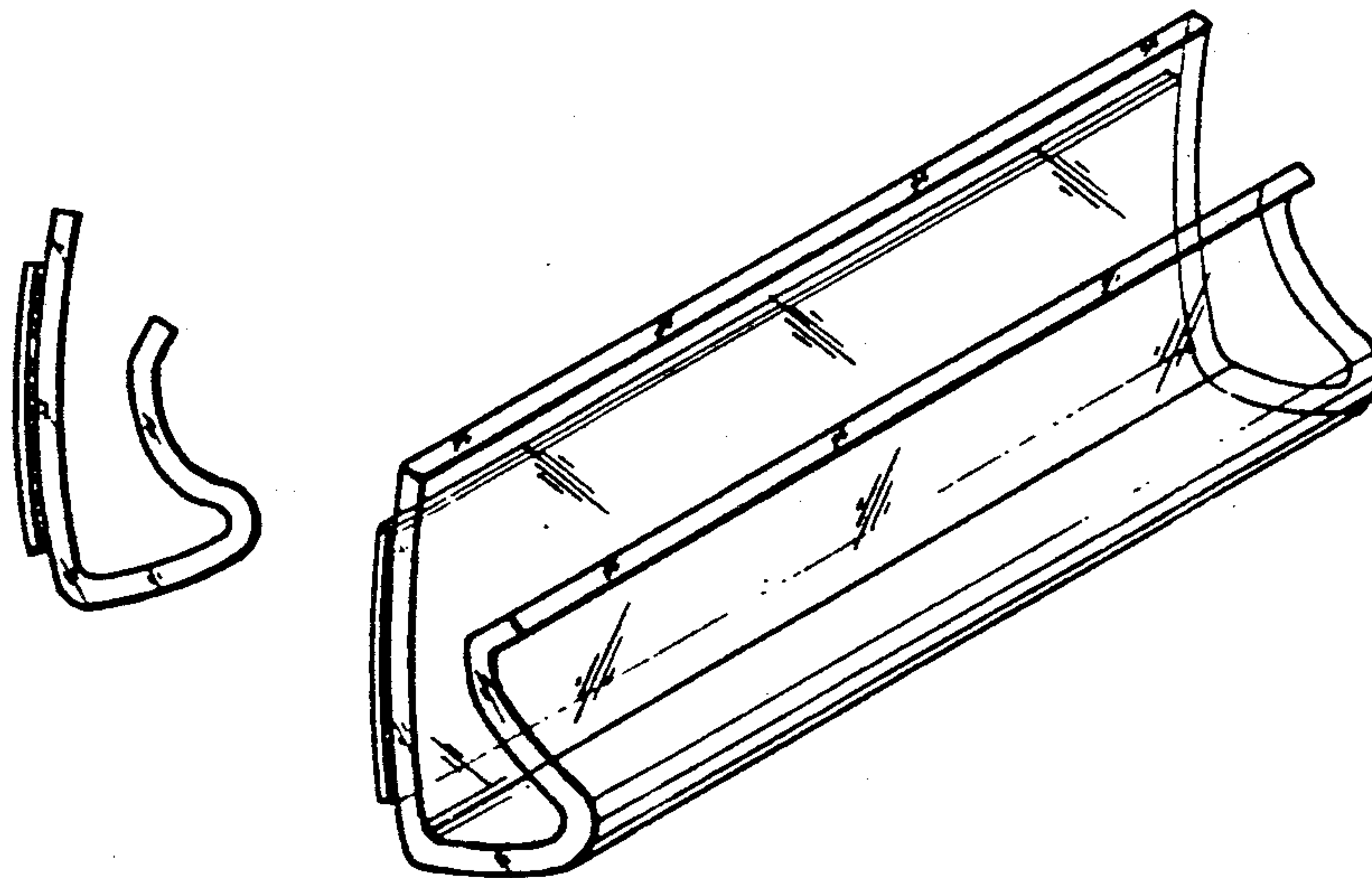
Primary Examiner—Horace B. Fay, Jr.  
Attorney, Agent, or Firm—Steven H. Bazerman

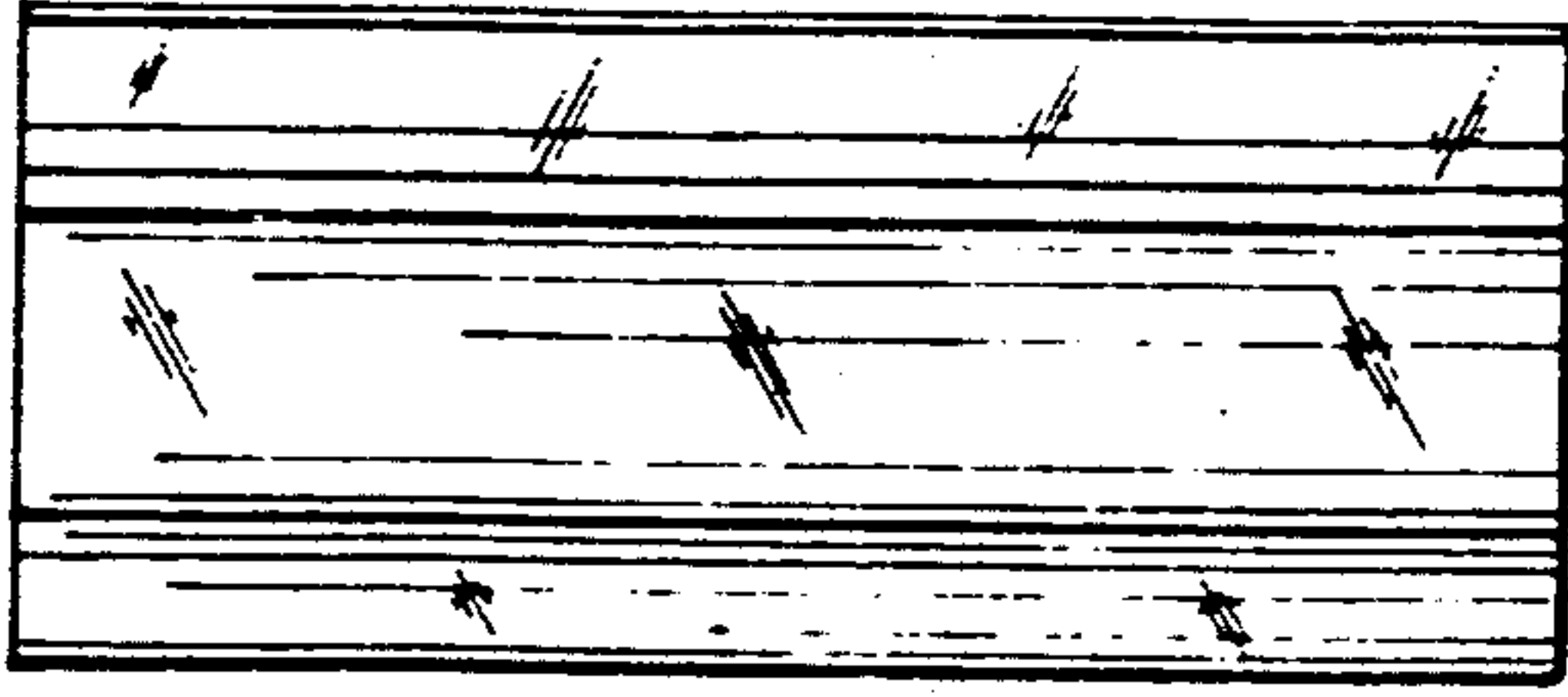
[57] CLAIM

The ornamental design for clip holder for wire or similar article, as shown and described.

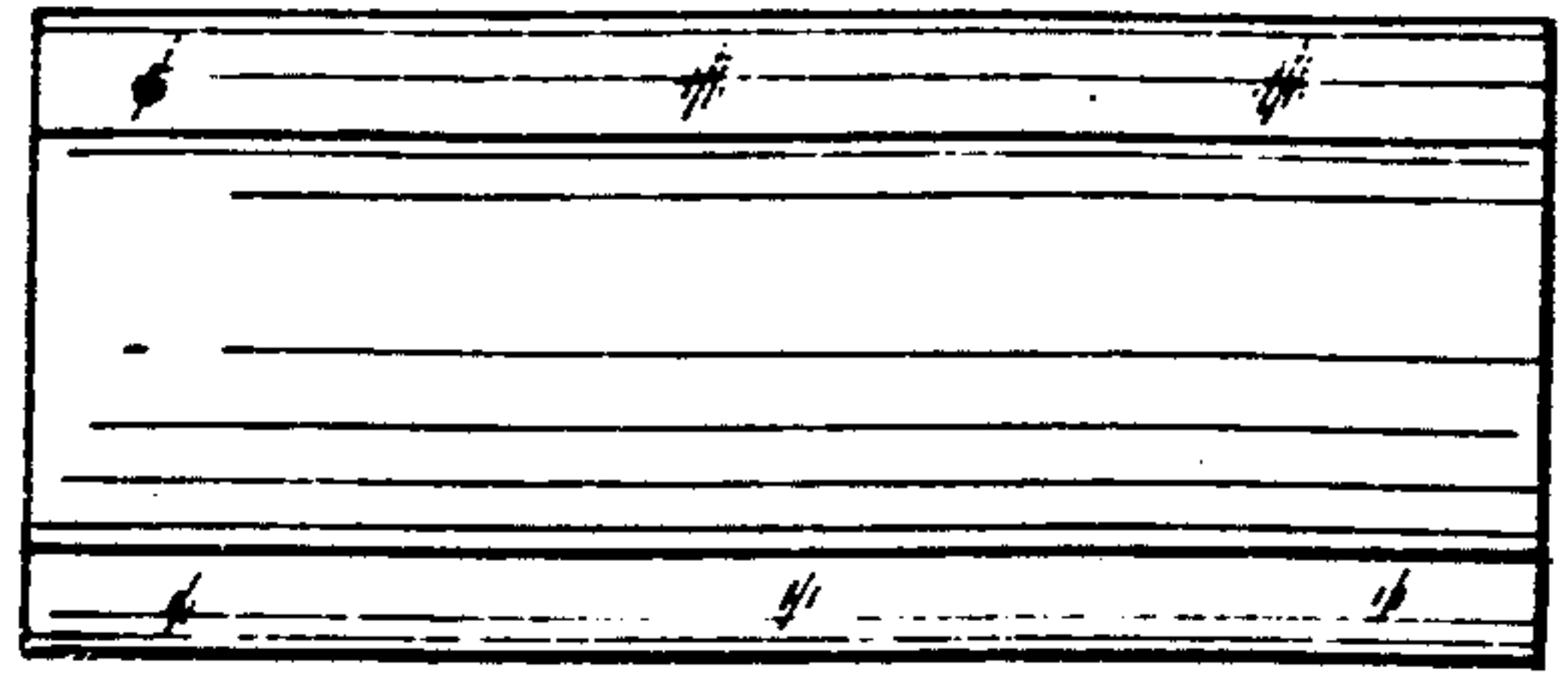
DESCRIPTION

FIG. 1 is a front elevational view of a clip holder for wire or similar articles showing my new design; FIG. 2 is a rear elevational view thereof; FIGS. 3 and 4 are respectively top and bottom plan views thereof; FIG. 5 is a left side elevational view thereof, the side opposite being a mirror image thereof; FIG. 6 is a left side, top and front perspective view thereof; and FIG. 7 is a left side elevational view of a second embodiment thereof, the side opposite being a mirror image, the only difference between the two embodiments is that the first embodiment has a slight curvature of the back as shown in FIG. 5, and that the second embodiment has a straightback as shown in FIG. 7.

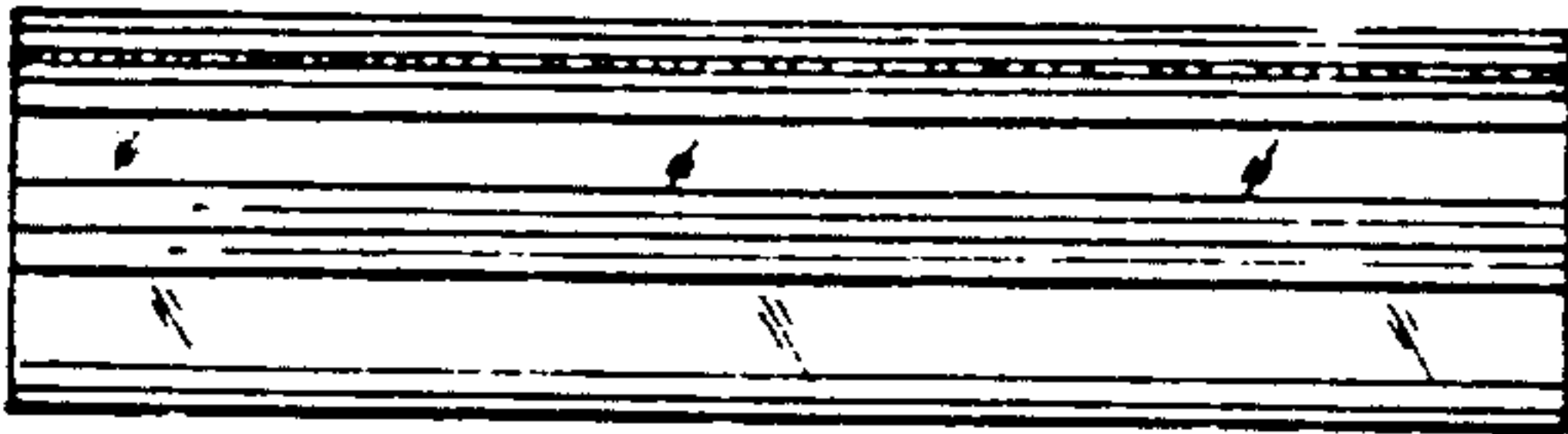




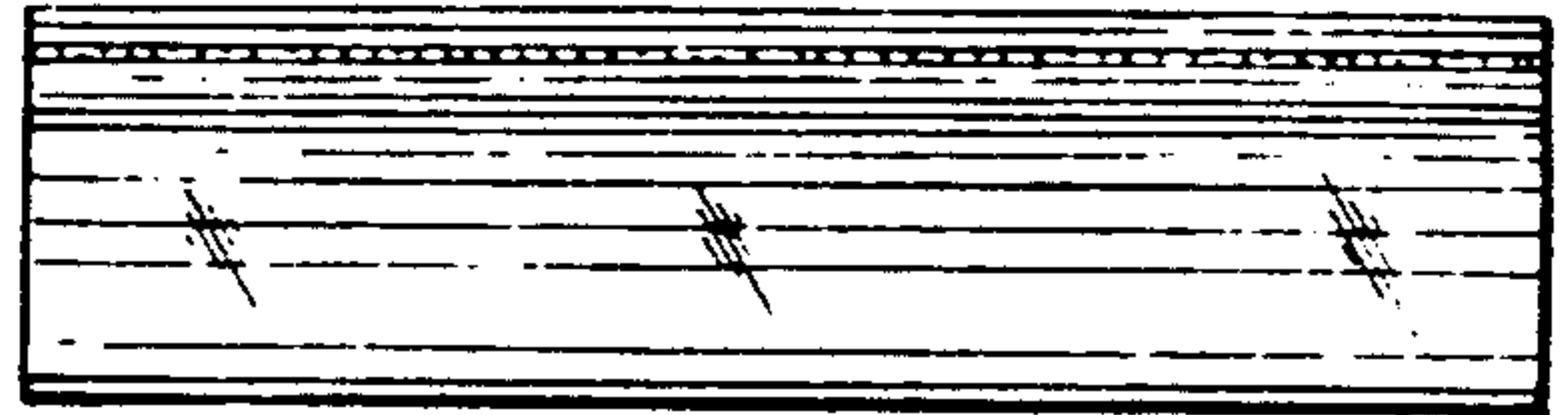
*FIG. 1*



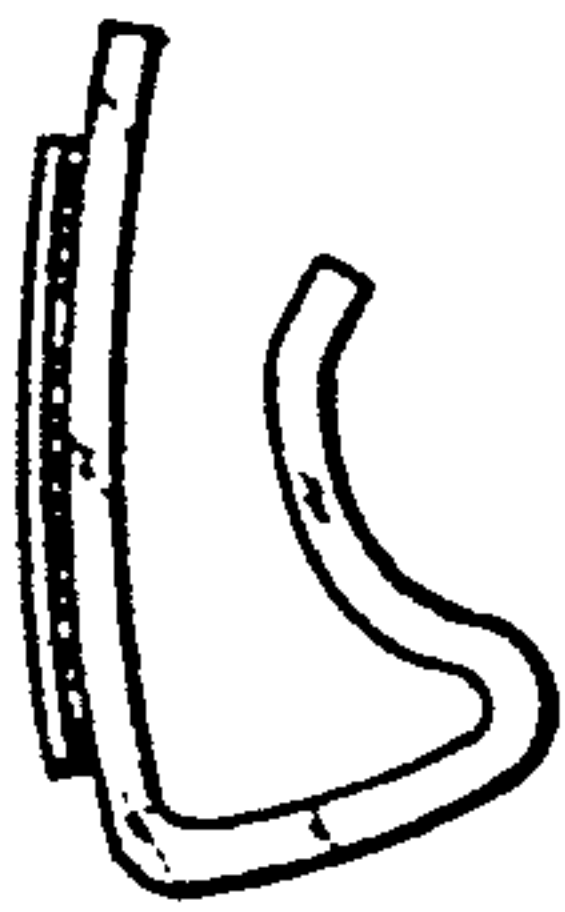
*FIG. 2*



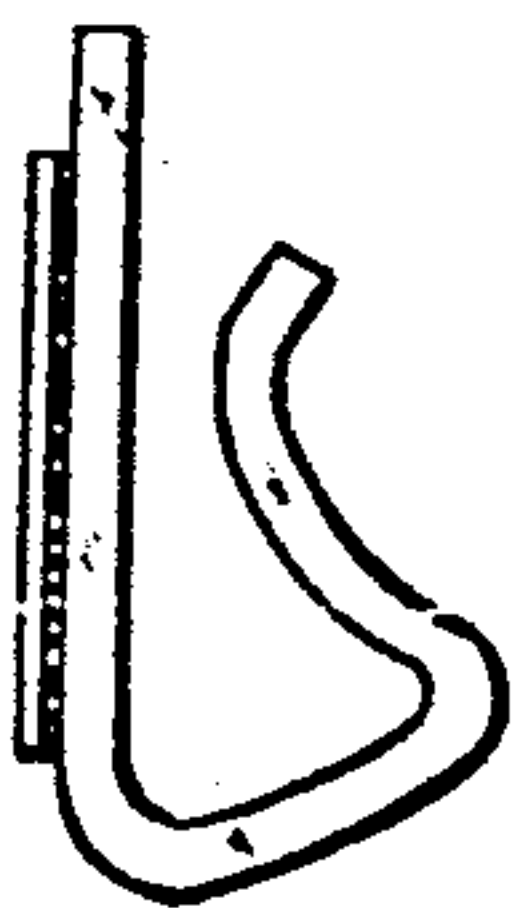
*FIG. 3*



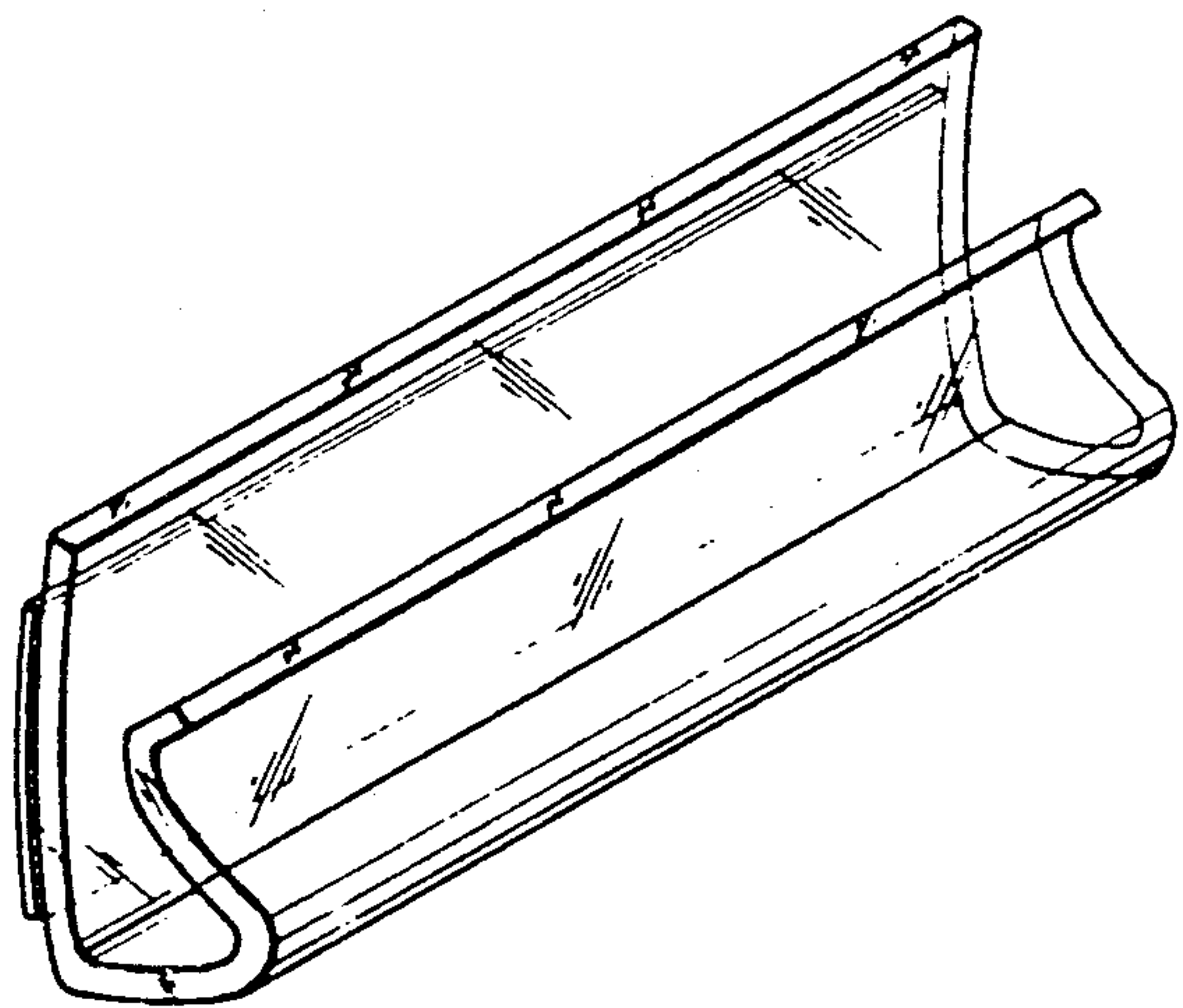
*FIG. 4*



*FIG. 5*



*FIG. 7*



*FIG. 6*