

[54] FOOD PROCESSOR

[75] Inventor: Rudolf Maass, Solingen, Fed. Rep. of Germany

[73] Assignee: Robert Krups Stiftung & Co. KG, Solingen, Fed. Rep. of Germany

[\*\*] Term: 14 Years

[21] Appl. No.: 295,982

[22] Filed: Jan. 11, 1989

[52] U.S. Cl. .... D7/384

[58] Field of Search ..... D7/381, 383, 384, 386, D7/368, 372, 373, 376-378, 412-415, 665

[56] References Cited

U.S. PATENT DOCUMENTS

D. 272,979	3/1984	Akita et al. ....	D7/384
D. 296,860	7/1988	Maass .....	D7/384
D. 296,976	8/1988	Maass .....	D7/384
4,111,372	9/1978	Hicks et al. ....	D7/384 X

OTHER PUBLICATIONS

HFD—Retailing Home Furnishings, May 14, 1979, Sec-

tion One, p. 38, Toshiba Electronic Food Processor, top right panel.

Schoner Wohnen, Jan., 1984, p. 82, Philips Food Processor at left.

Merchandising, Apr., 1984, p. 27, Sanyo Food Processor Model SKM-1550.

Primary Examiner—Winifred E. Herrmann  
Attorney, Agent, or Firm—Peter K. Kontler

[57] CLAIM

The ornamental design for a food processor, as shown and described.

DESCRIPTION

FIG. 1 is a front perspective view of a food processor embodying my new design;

FIG. 2 is a front elevational view thereof;

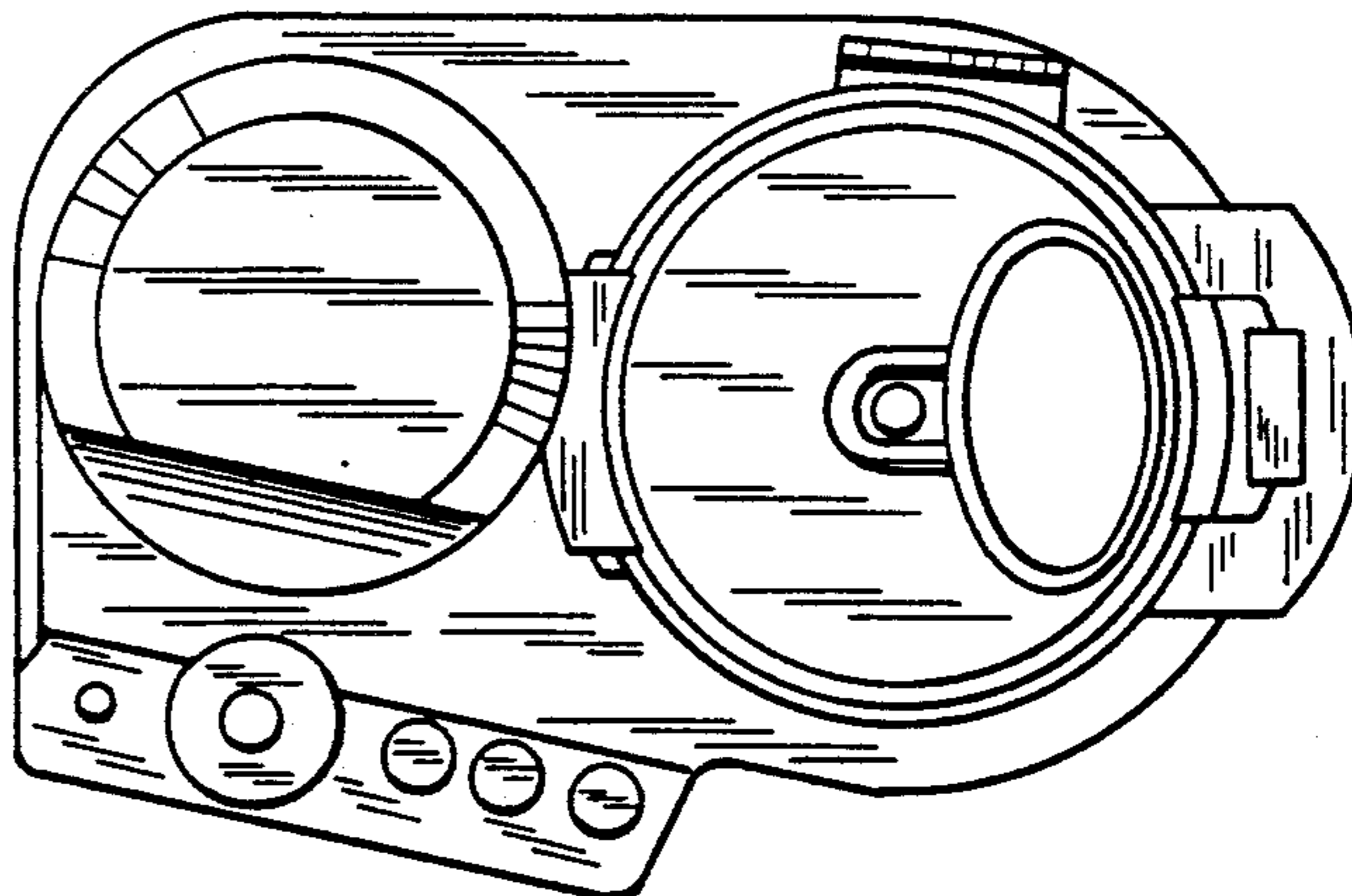
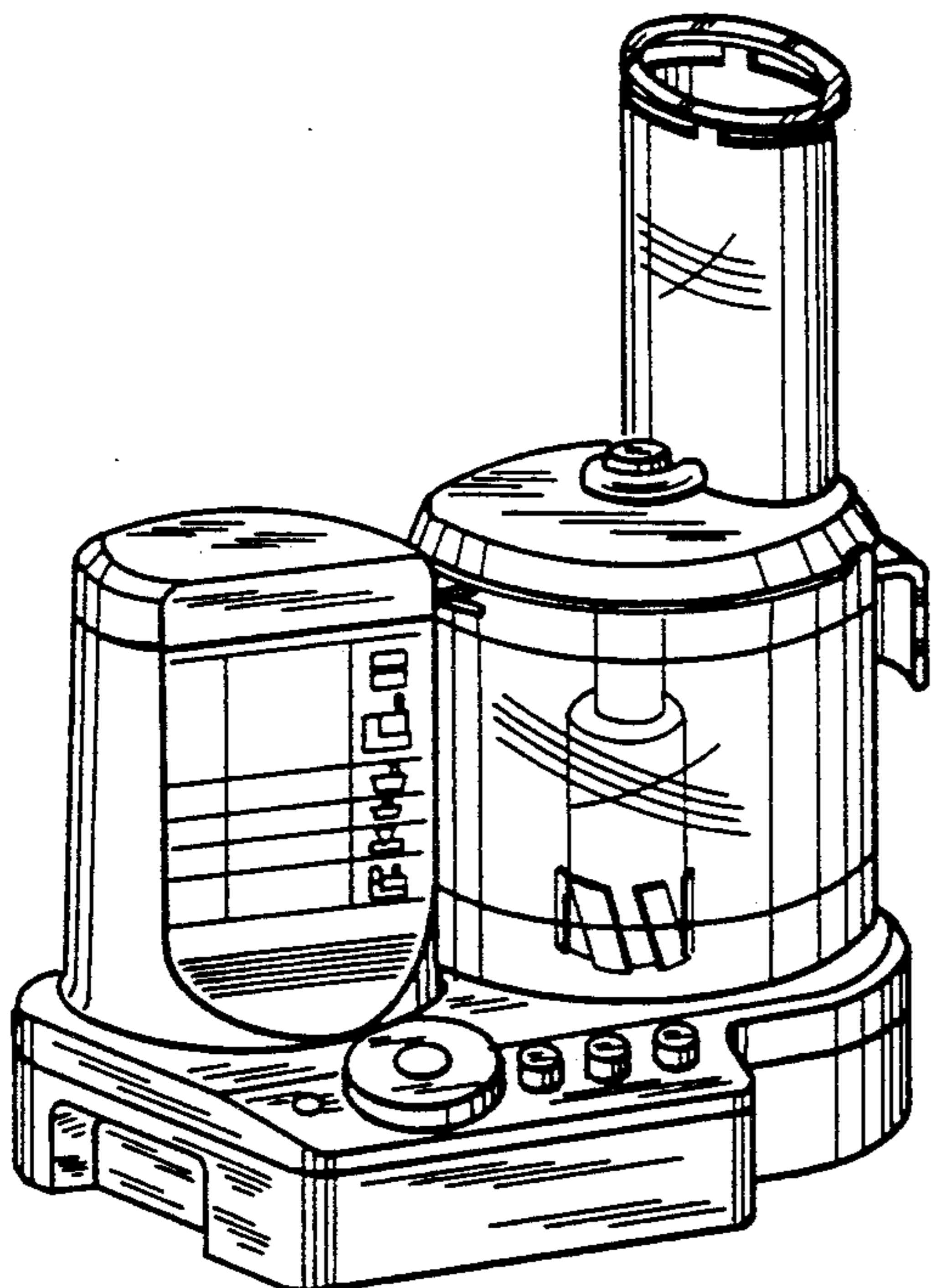
FIG. 3 is a top plan view thereof;

FIG. 4 is a bottom plan view thereof;

FIG. 5 is a rear elevational view thereof;

FIG. 6 is a right-hand side elevational view thereof; and

FIG. 7 is a left-hand side elevational view thereof.



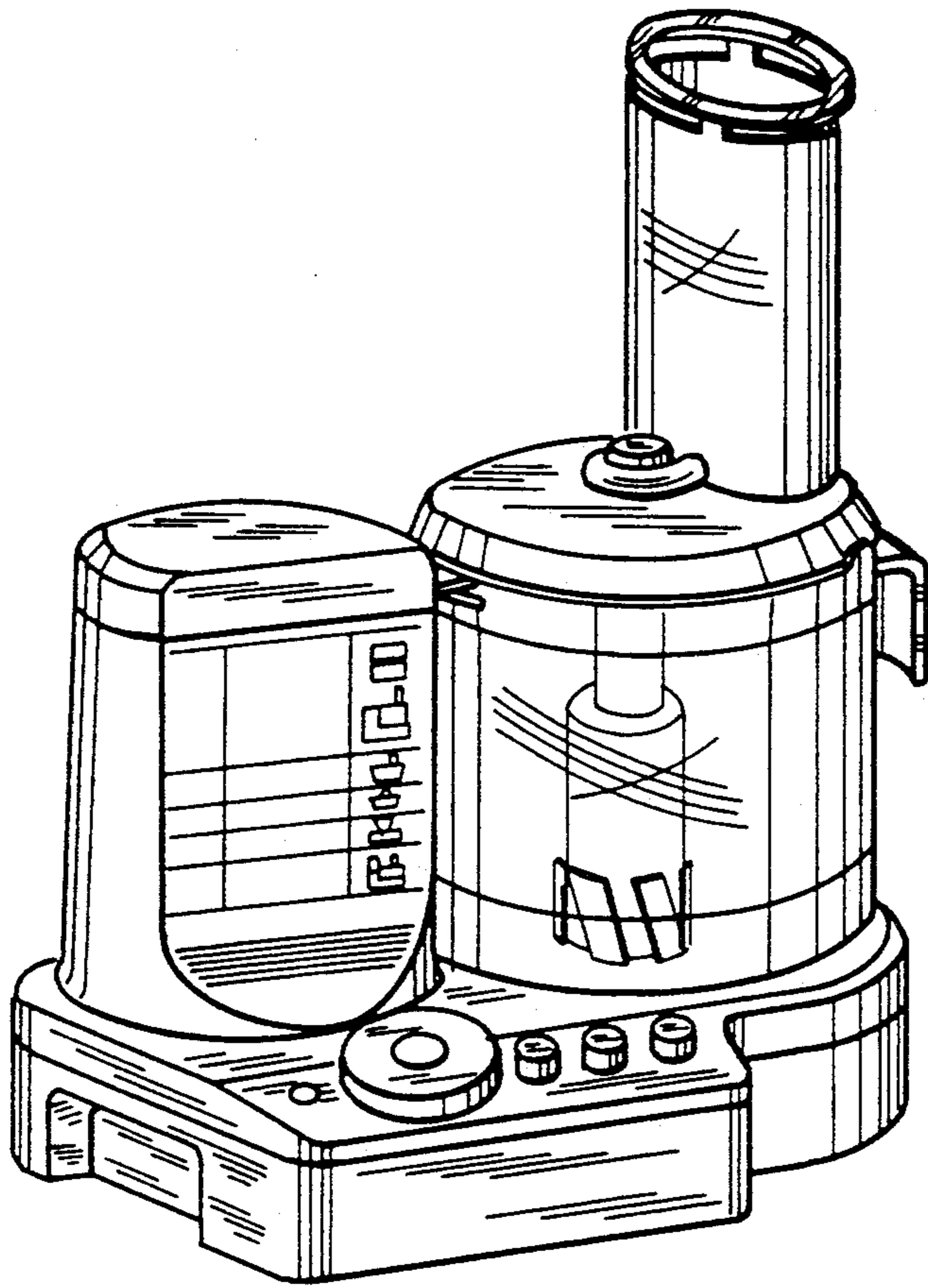


FIG. 1

FIG. 2

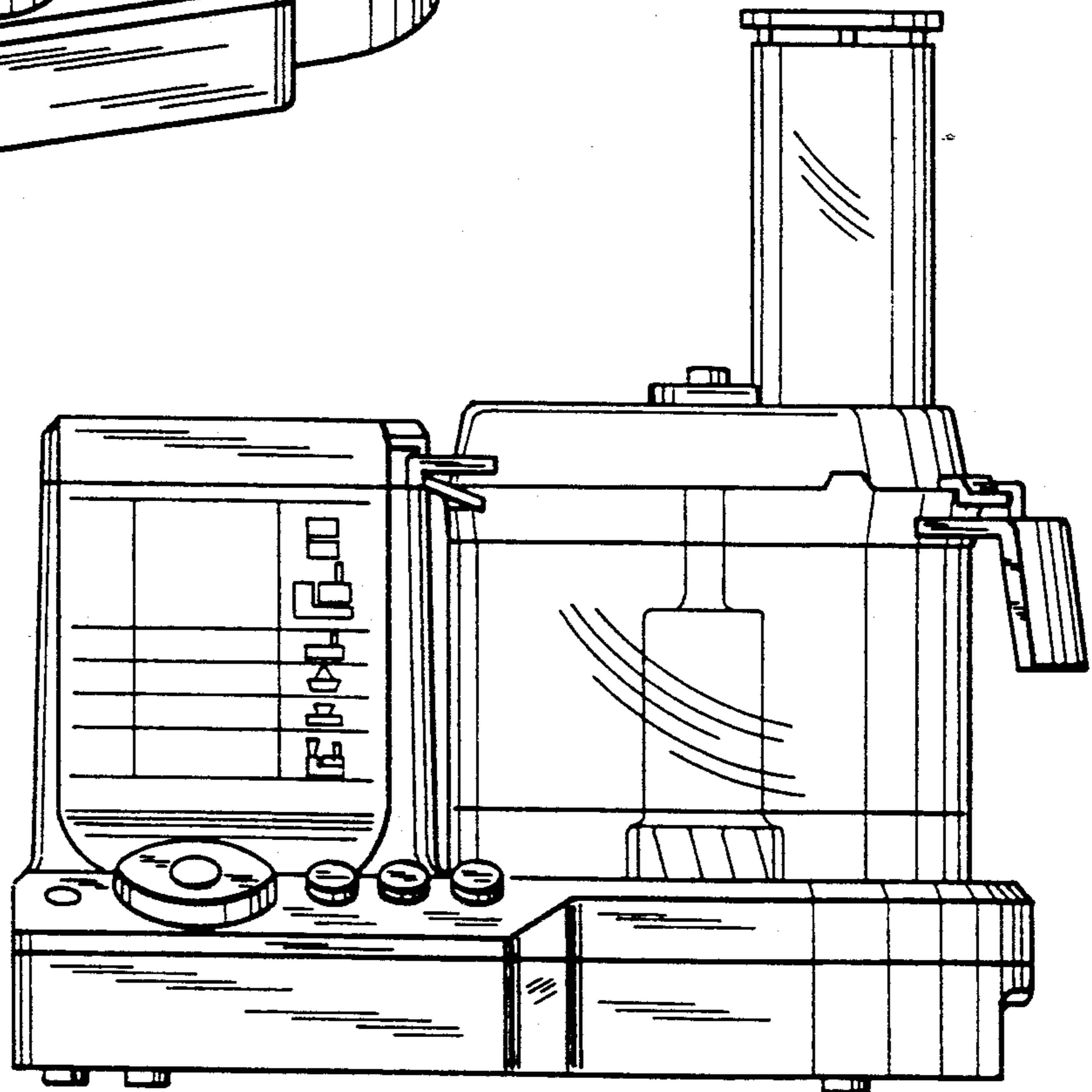


FIG. 3

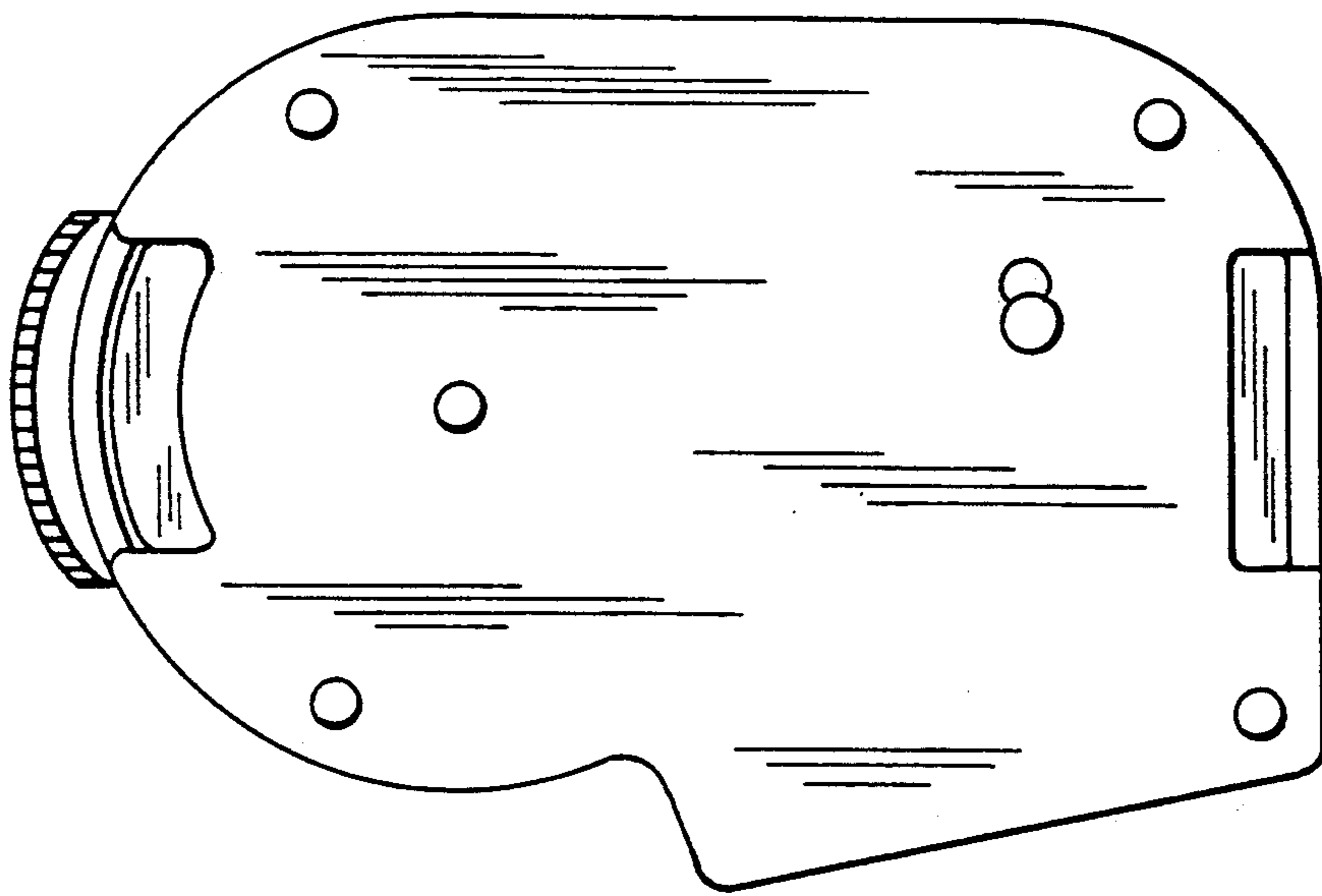
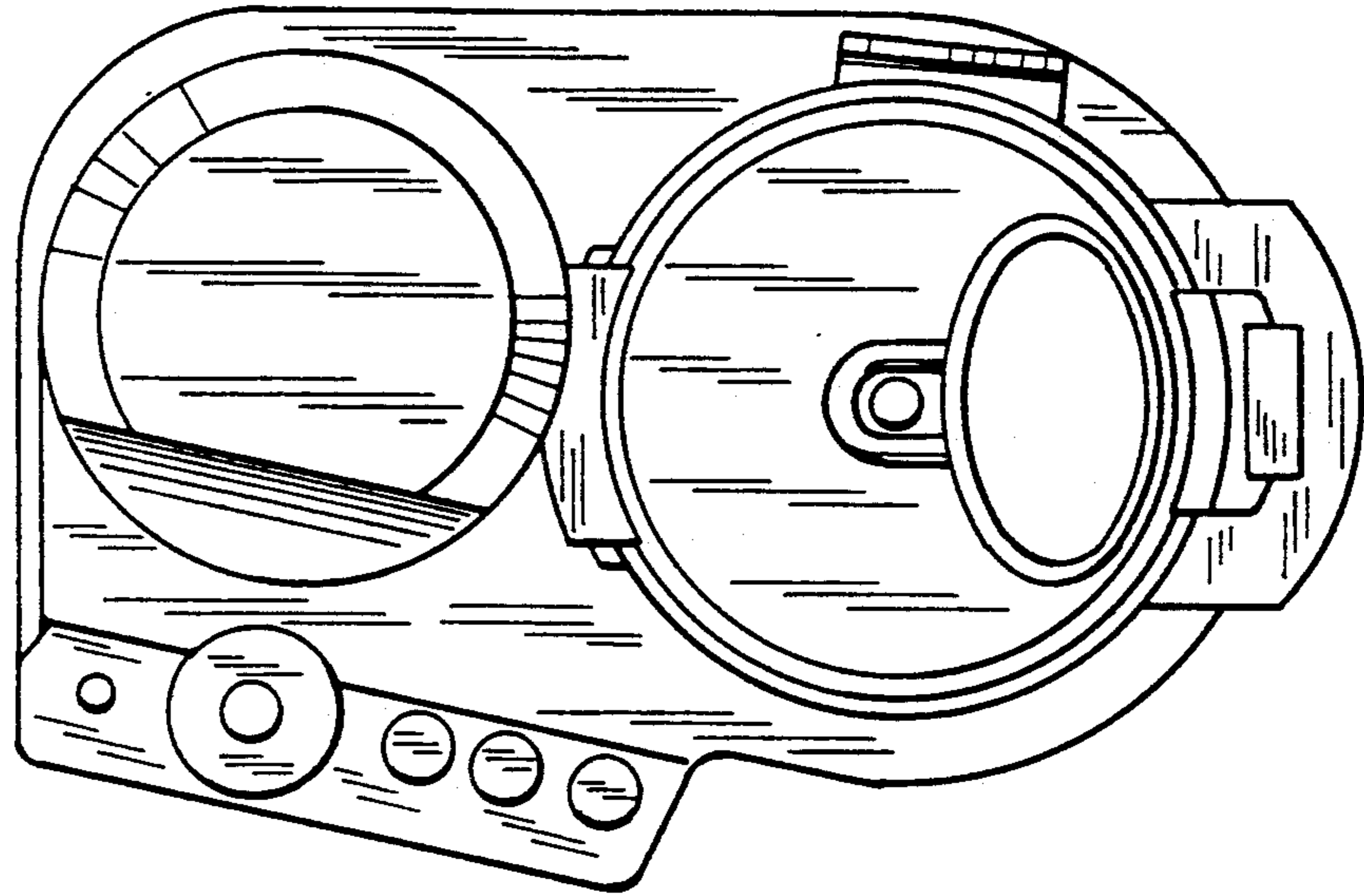


FIG. 4

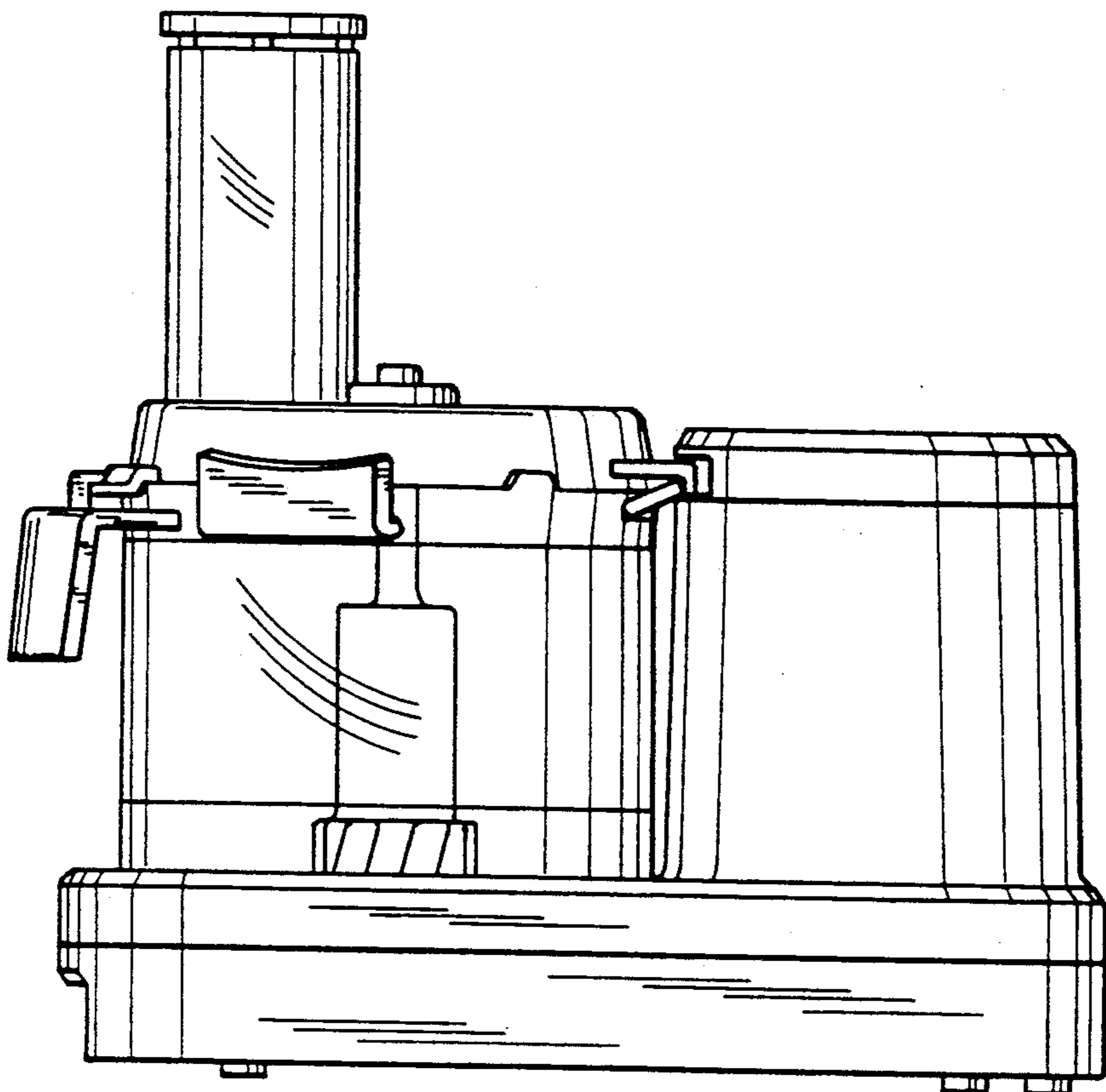


FIG. 5

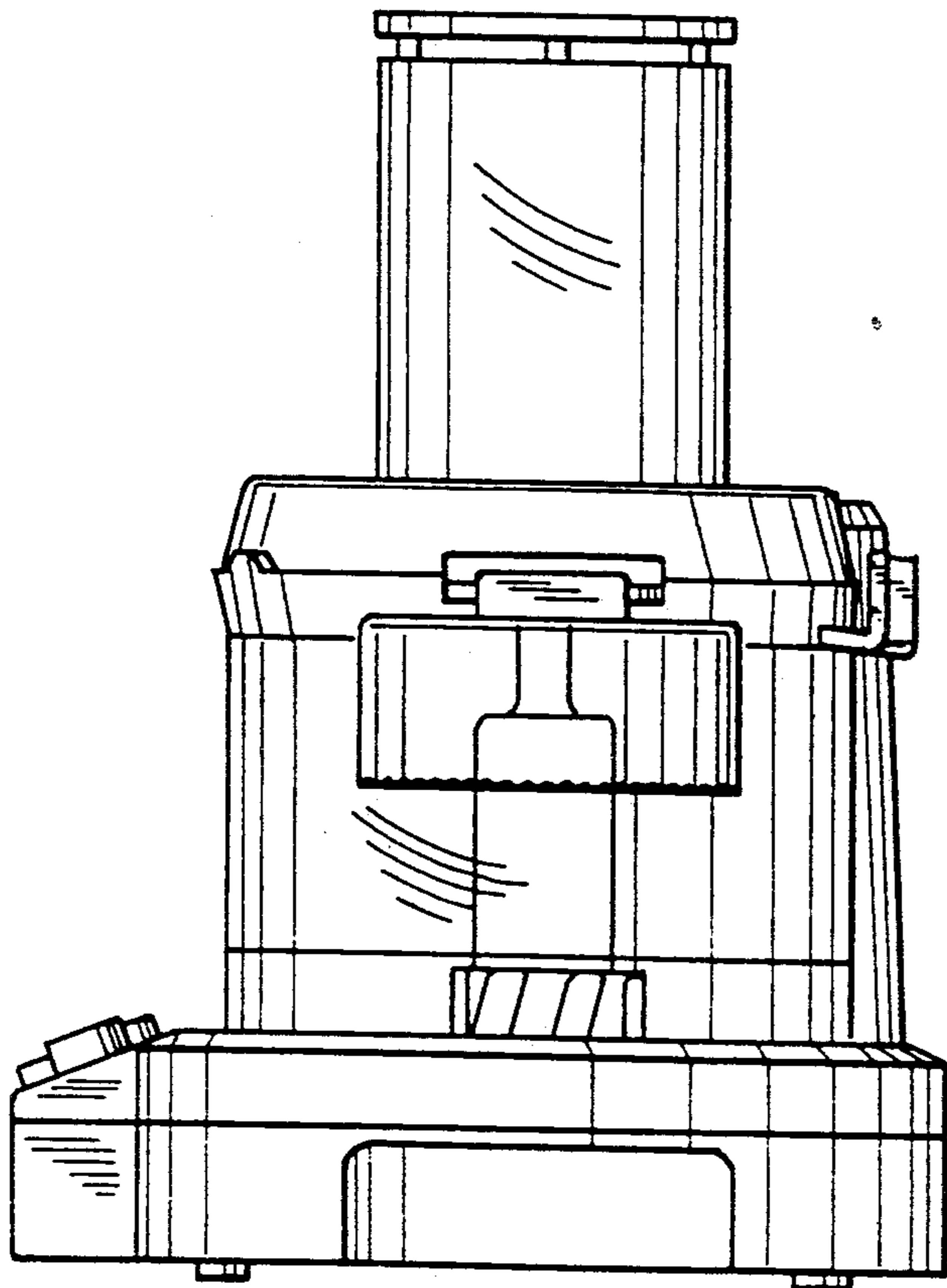


FIG. 6



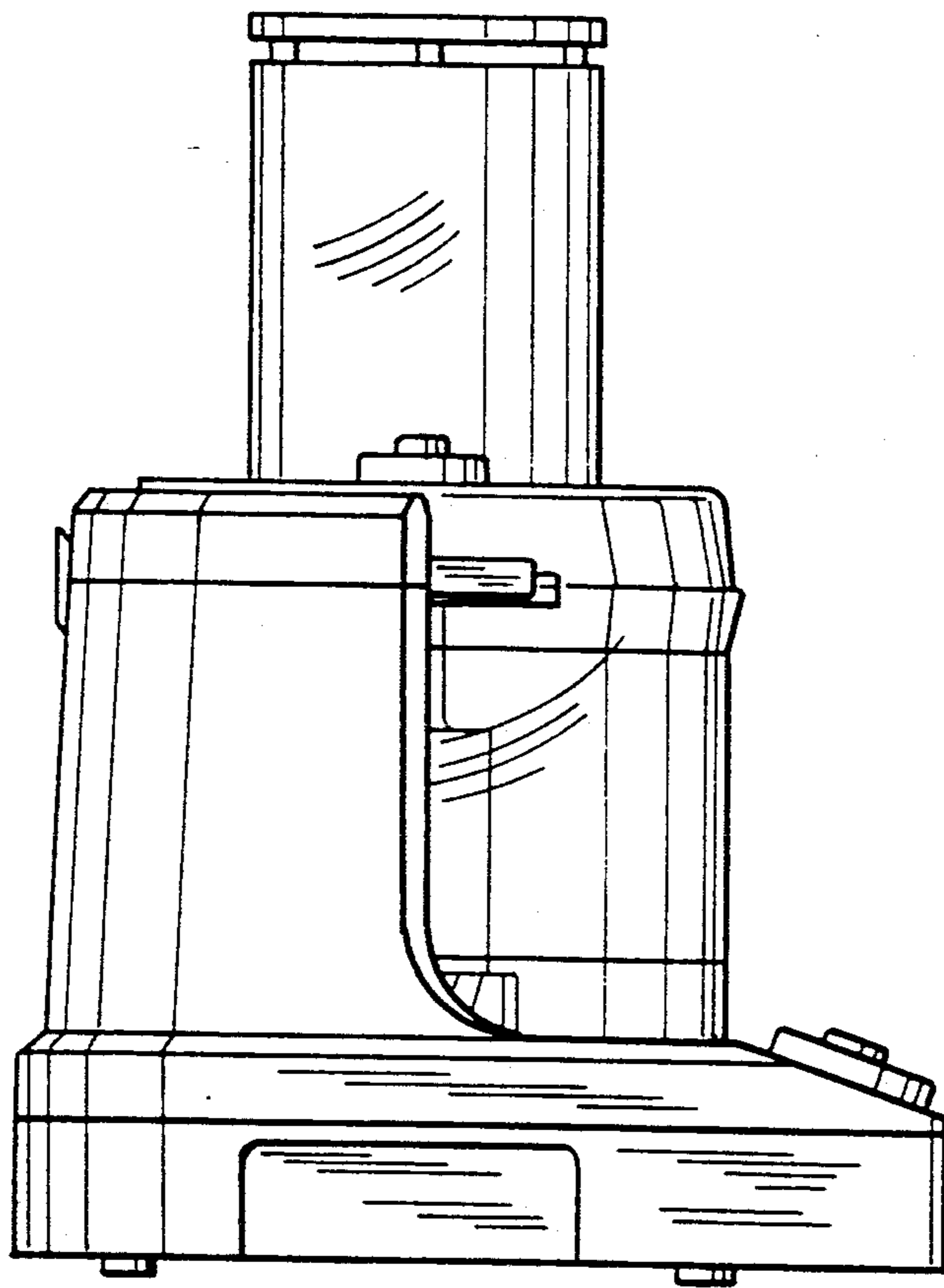


FIG. 7