

[54] CANDY WARMER

[75] Inventor: James A. Frisbee, Hanover, Mass.

[73] Assignee: Lorraine's Inc., Hanover, Mass.

[**] Term: 14 Years

[21] Appl. No.: 311,881

[22] Filed: Feb. 16, 1989

[52] U.S. Cl. D7/357; D7/354

[58] Field of Search D7/347, 354, 356, 357, D7/555; 99/446

OTHER PUBLICATIONS

Server Products, Inc., 6-23-78, p. 3, "Twin FS #81220", bottom left—Hot Toppings Server with Ladles.

Server Products, Inc., 6-23-78, p. 7, "Free Standing Serving Rails #82550 and #83600", lower half of page. *Cecilware Mini Catalog No. 98*, Jan. 1987, p. 14, lower left/Model ICW-2, "Confectionary Warmer".

Primary Examiner—Winifred E. Herrmann
Attorney, Agent, or Firm—Lahive & Cockfield

[57] CLAIM

The ornamental design for the candy warmer, as shown.

DESCRIPTION

FIG. 1 is a top, front, and left-side perspective view of a candy warmer showing my new design;

FIG. 2 is a front elevational view;

FIG. 3 is a right-side elevational view;

FIG. 4 is a left-side elevational view;

FIG. 5 is a top plan view;

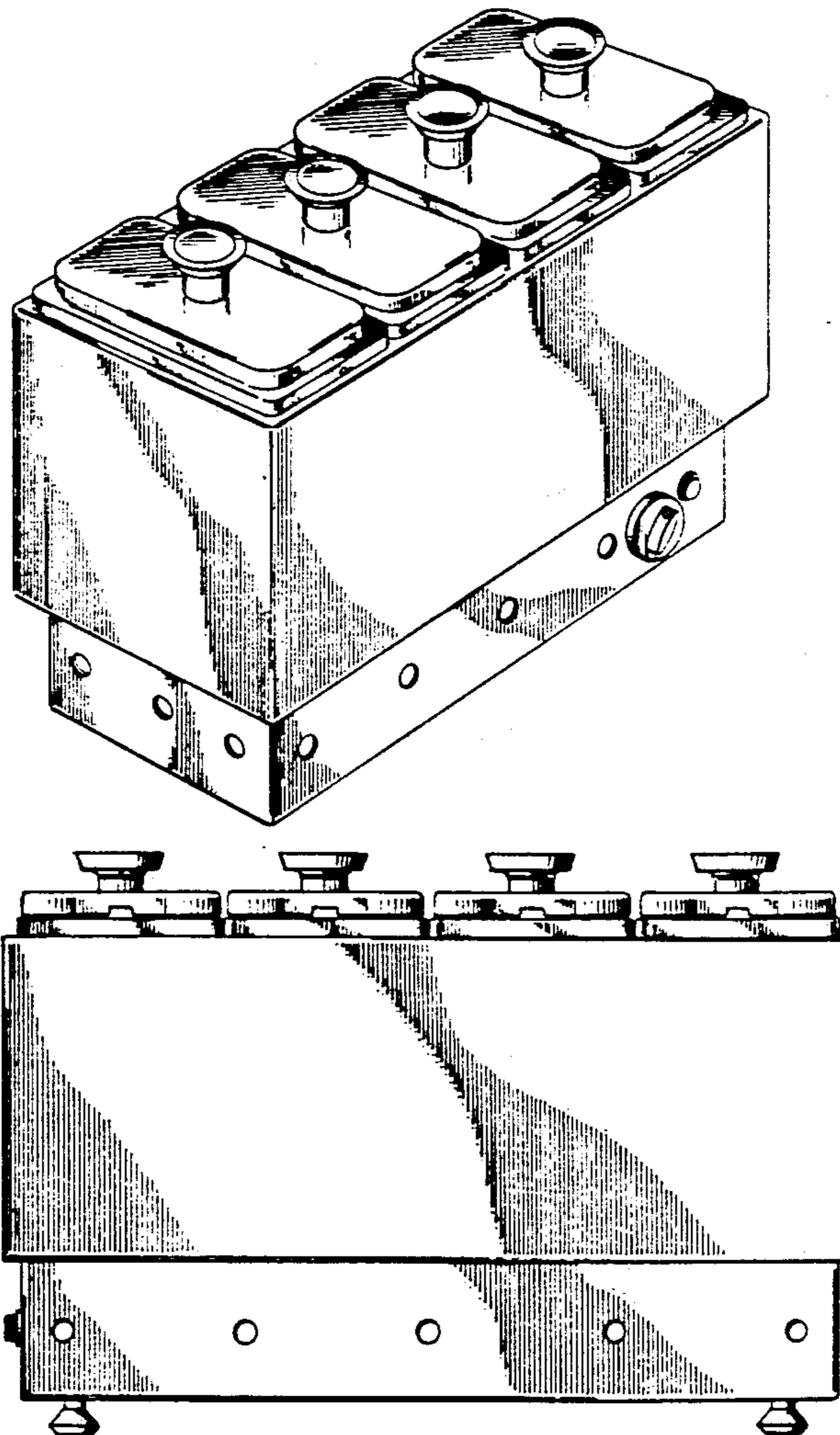
FIG. 6 is a rear elevational view; and

FIG. 7 is a bottom plan view thereof.

[56] References Cited

U.S. PATENT DOCUMENTS

D. 90,947	10/1933	Guild	D7/357
D. 93,901	11/1934	Von Nessen	D7/357
D. 161,299	12/1950	Altemiller	D7/354
D. 173,974	2/1955	Altemiller	D7/354
D. 272,978	3/1984	Gremonpez et al.	D7/357
D. 290,083	6/1987	Dricken et al.	D7/357



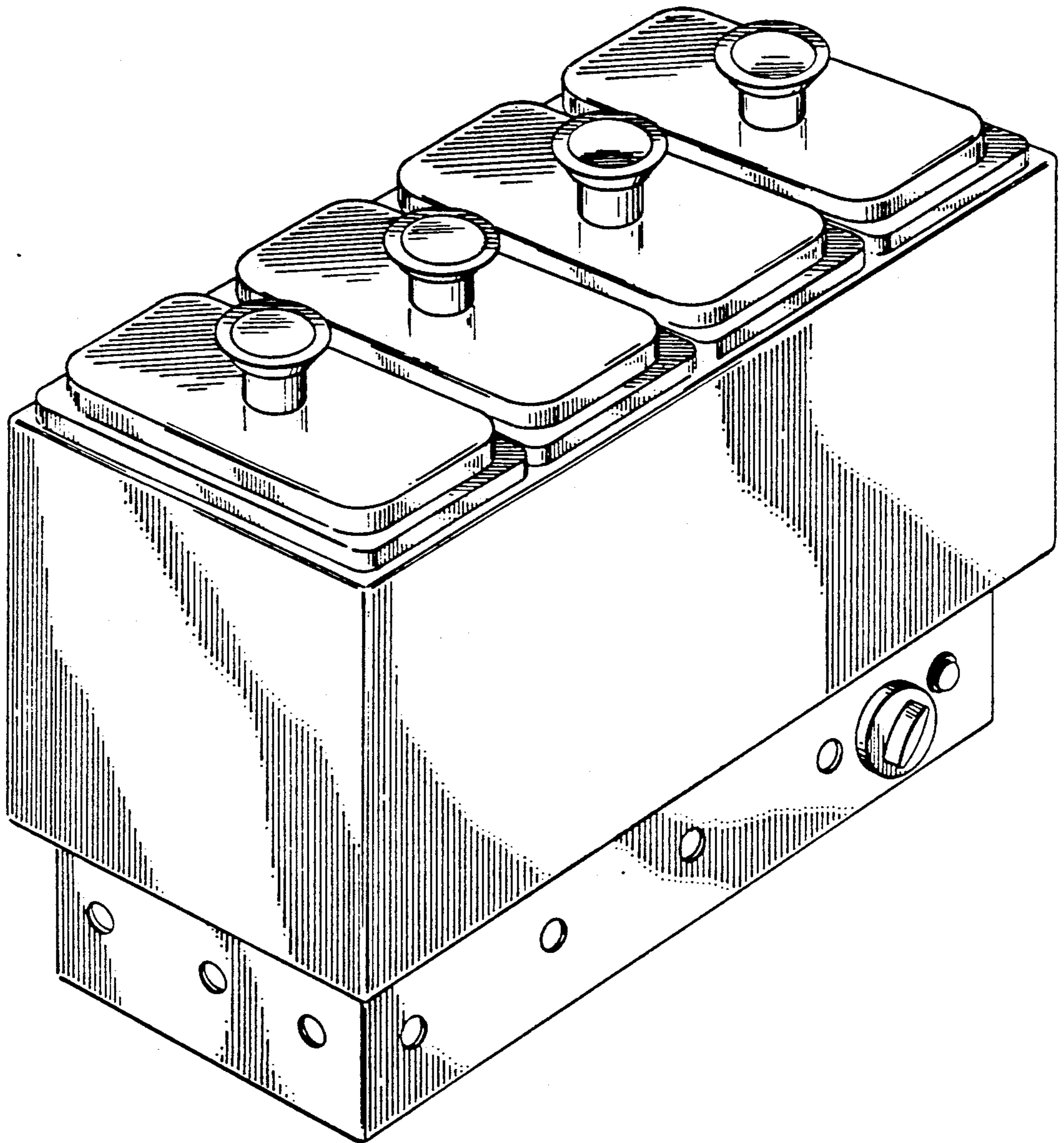


FIG. 1

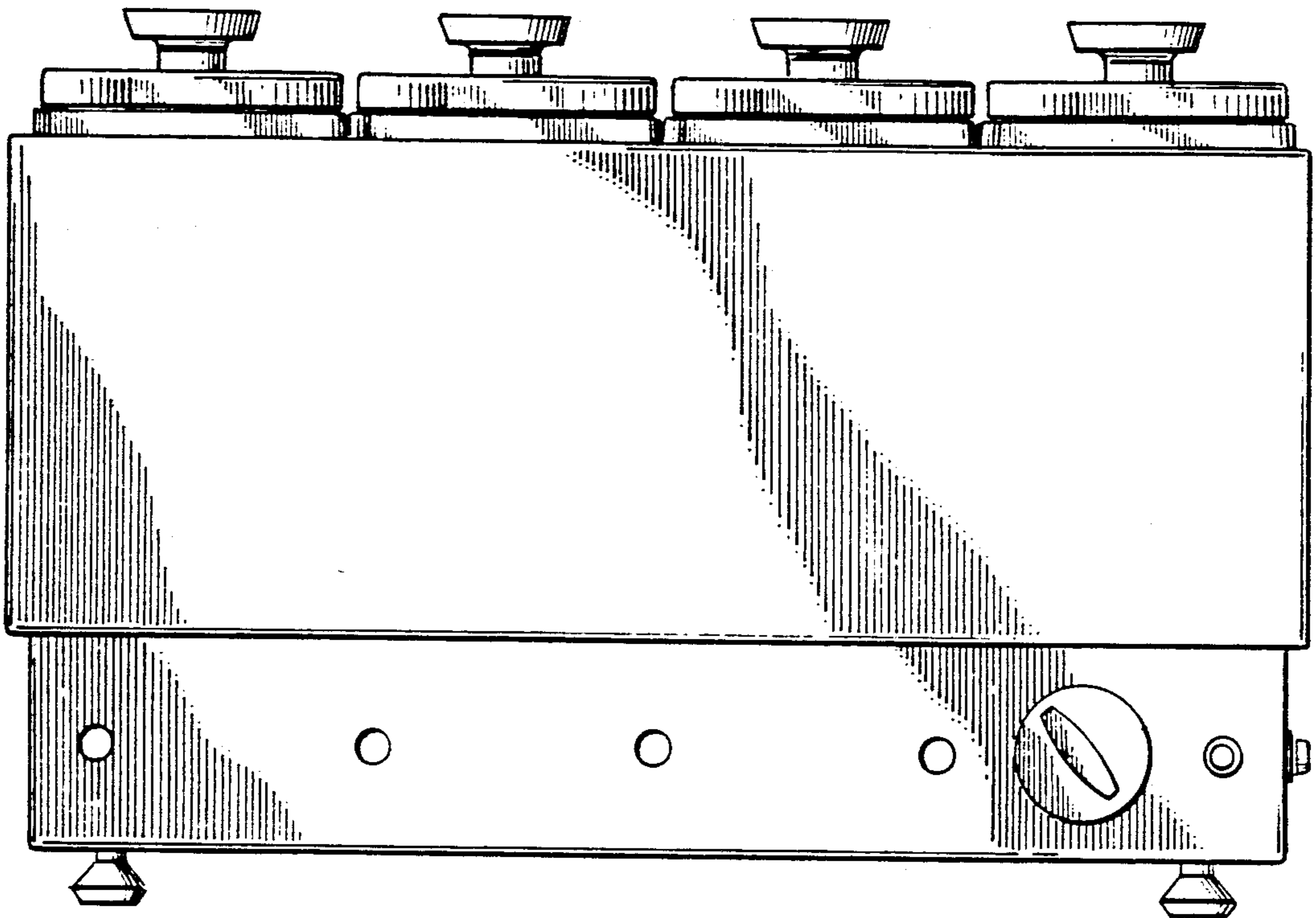


FIG. 2

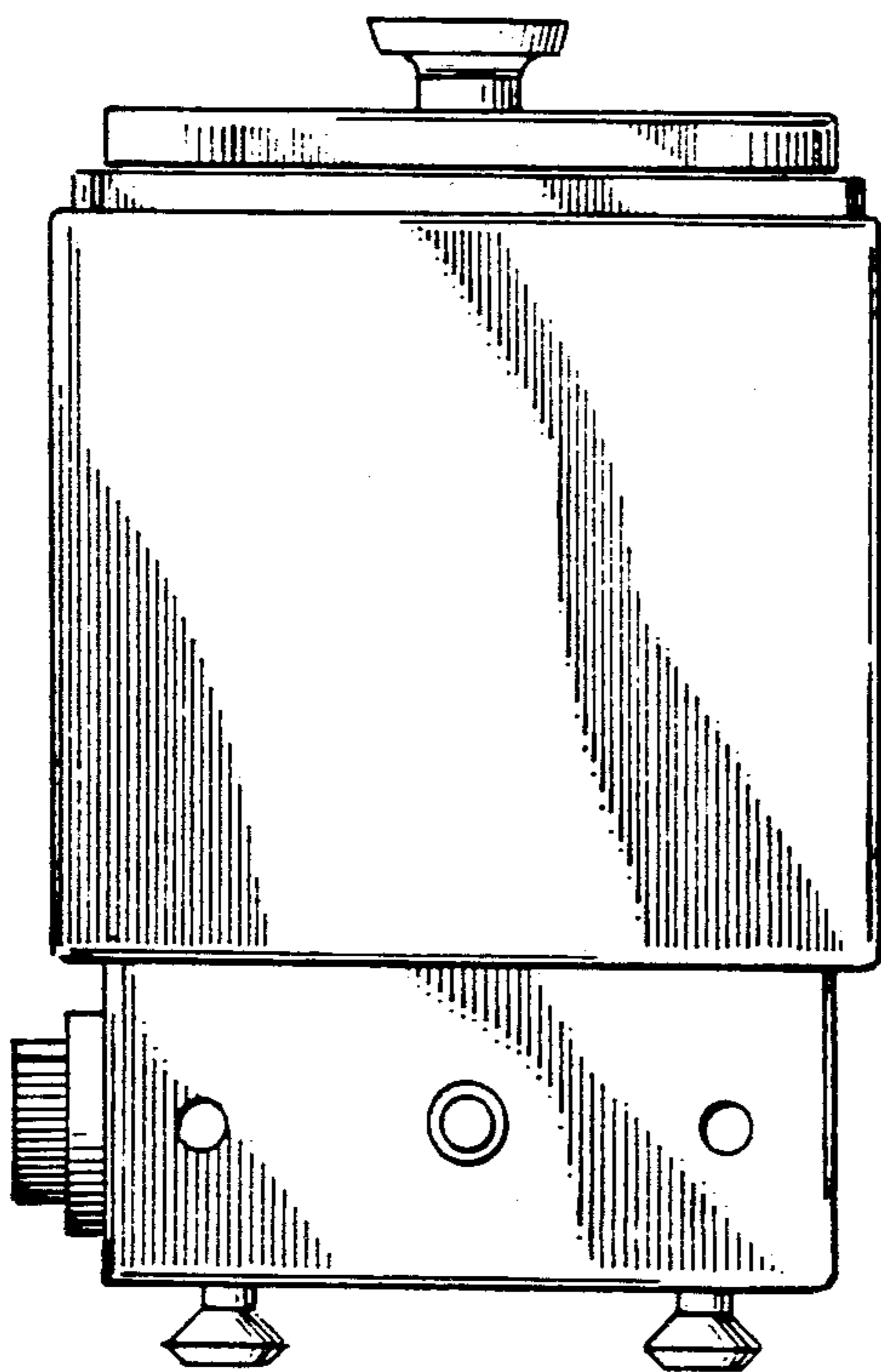


FIG. 3

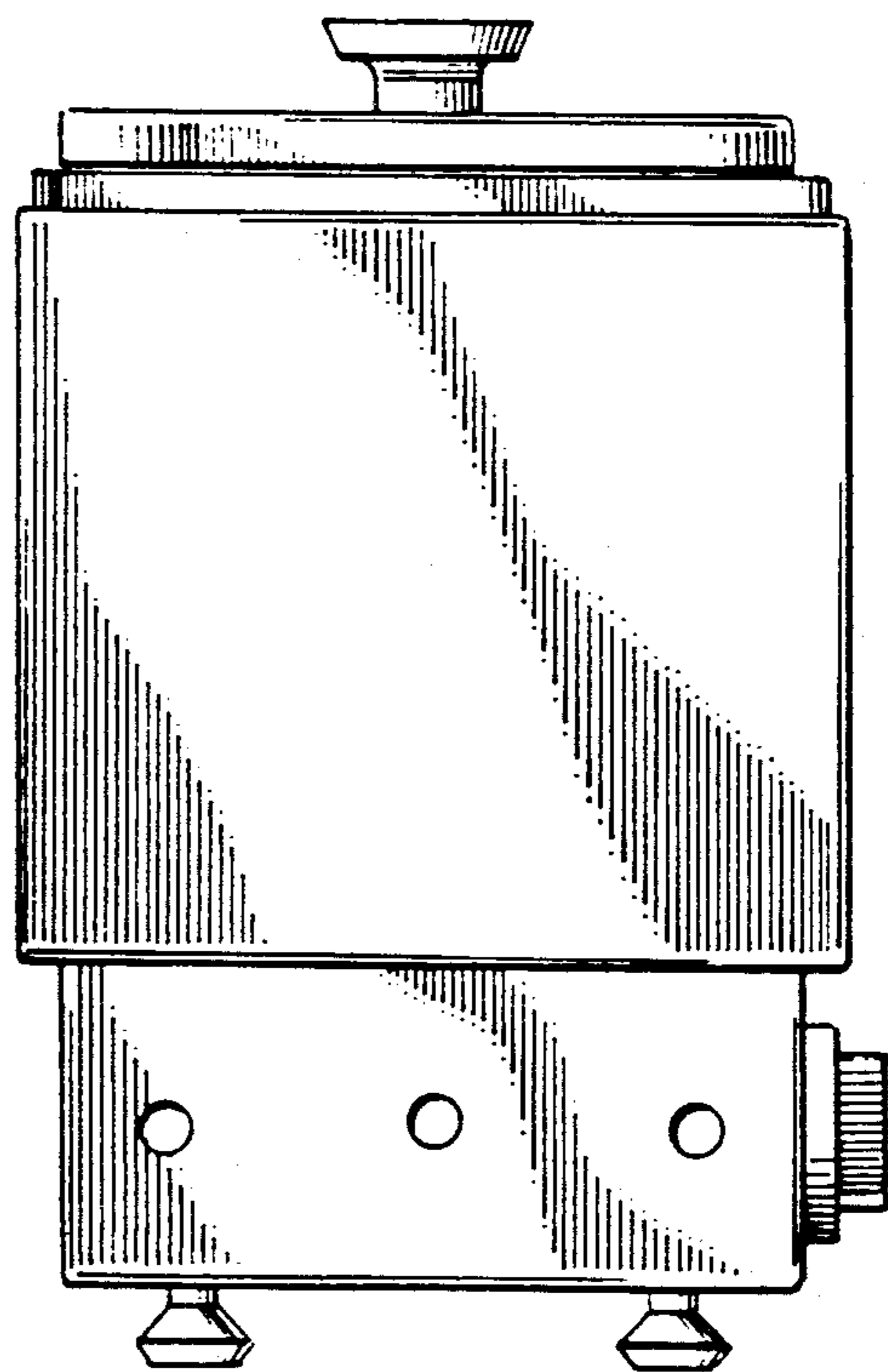


FIG. 4

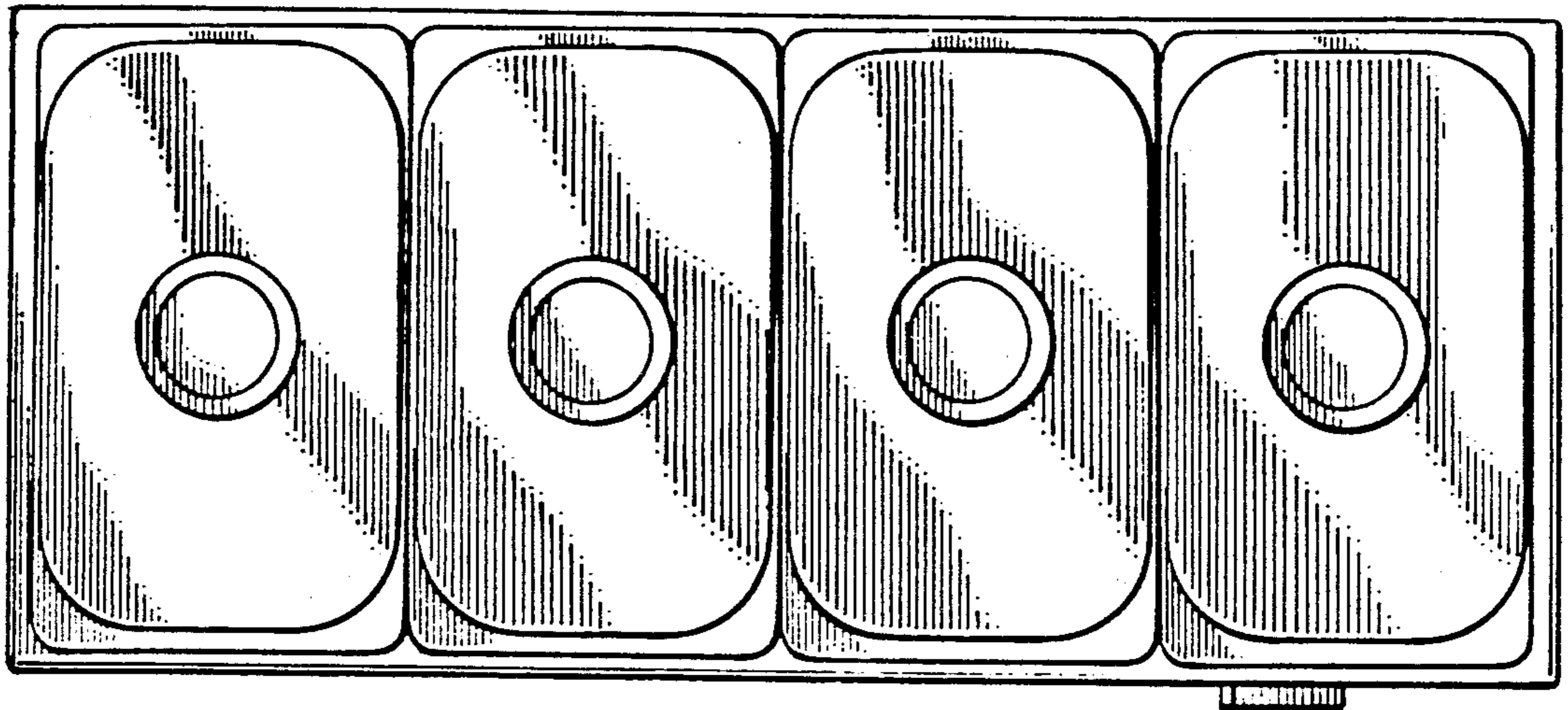


FIG. 5

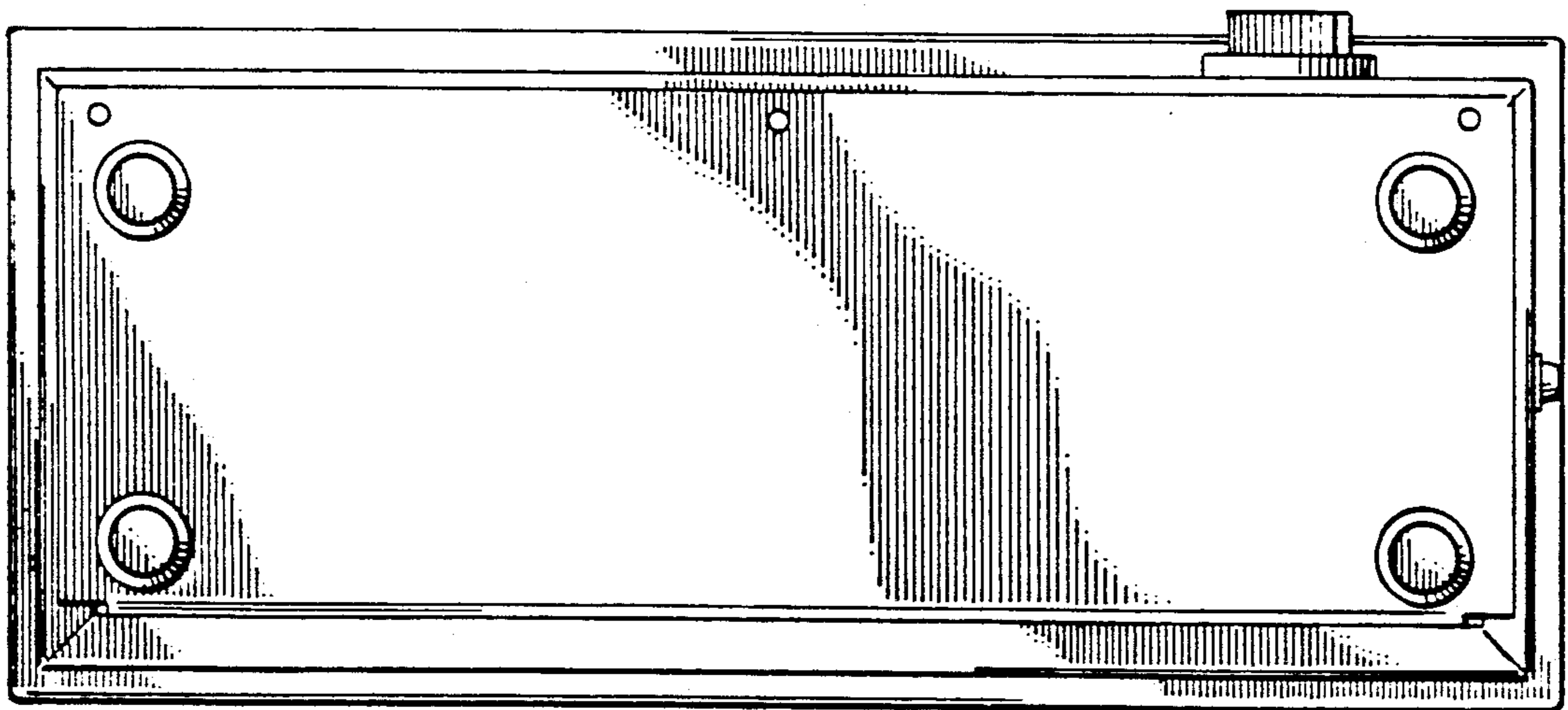


FIG. 7

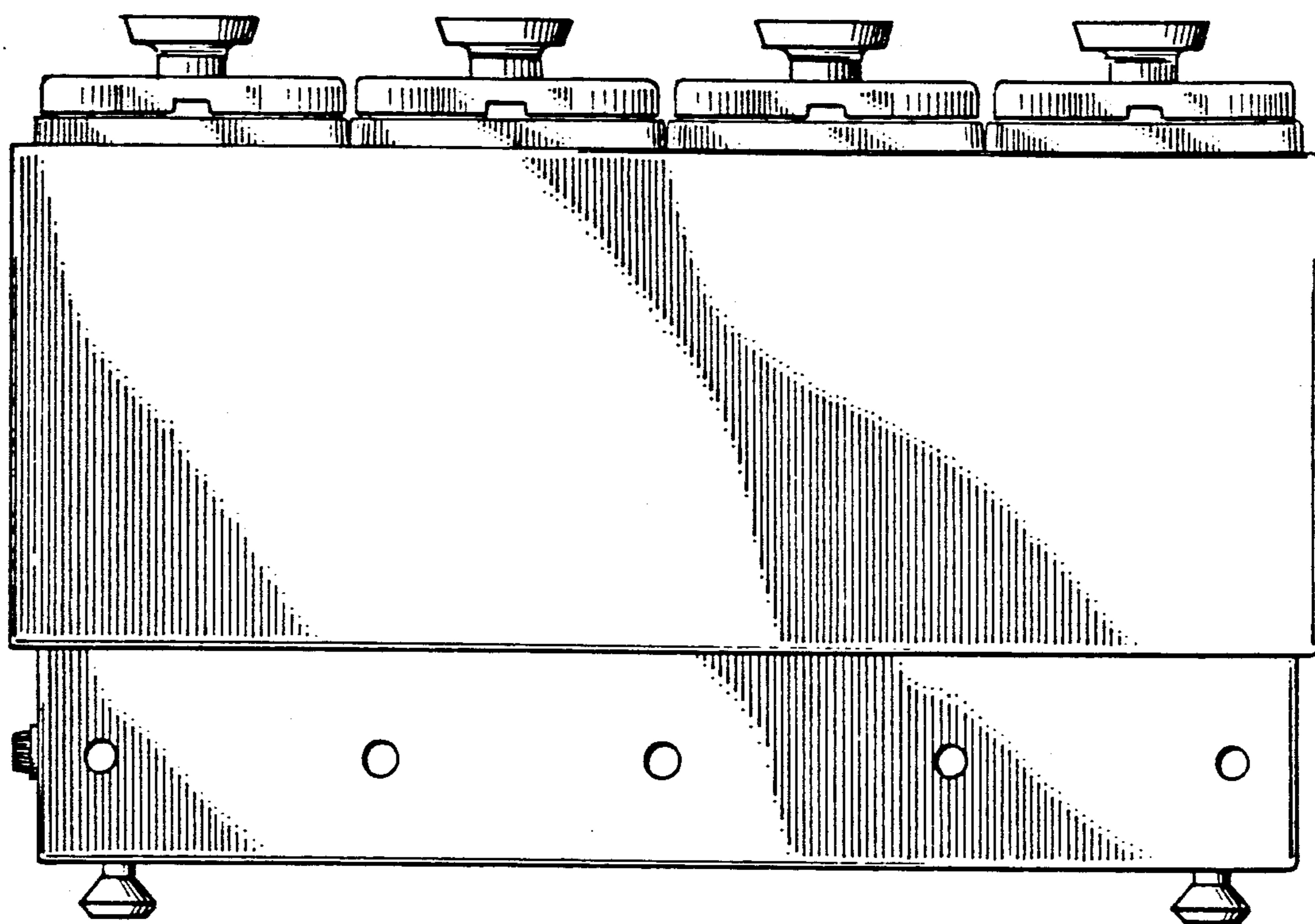


FIG. 6